



CFM REDUCTION



DIM LIGHT



HUSH SYSTEM



AMBIENT LIGHT



TOP PERFORMANCE



TOUCH CONTROL



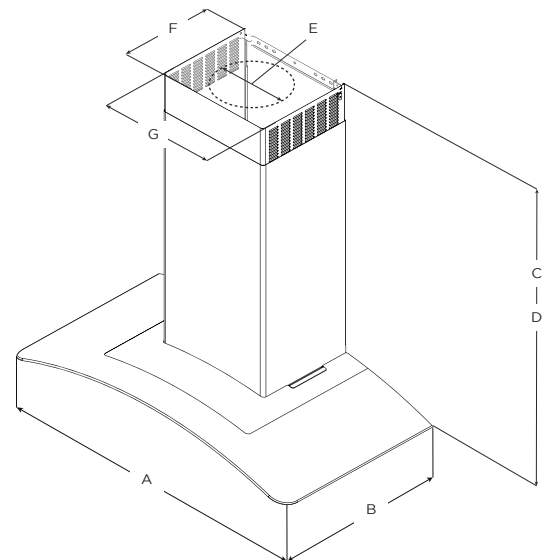
LED LIGHT

ELICA'S EXCLUSIVE PLUS FEATURES

Como combines arched glass wings and stainless steel to create a light and airy environment... the perfect centerpiece for any contemporary kitchen.

This gently flowing design is powered by a 600 CFM blower that can handle the demands generated by today's cooktops. Como is equipped with glass touch controls, LED dimmable lighting and dishwasher-safe stainless steel microhole filter.

Designed for standard ducted installation, Como can also be installed as a recirculating system using the Recirculating Kit, available as an accessory.



≥24"



≥30"

MOUNTING HEIGHT RANGE

	Models	
	ECM630S3	ECM636S3
A	30" (76.2 cm)	36" (91.4 cm)
B	19 ¹ / ₁₆ " (50 cm)	
C*	Max: 54 ¹¹ / ₆₄ " (137.6 cm) Min: 33 ¹¹ / ₃₂ " (84.7 cm)	
D**	Max: 50 ⁵ / ₁₆ " (127.8 cm) Min: 29 ¹¹ / ₁₆ " (75.4 cm)	
E	6" (15.24 cm)	
F	10 ³ / ₄ " (27.3 cm)	
G	13 ¹ / ₃₂ " (33.1 cm)	

* Ductless (Recirculating) version

** Ducted version

SPECIFICATIONS



	30" UNIT	36" UNIT
Model:	ECM630S3	ECM636S3
Dimensions:	30"W x 19 11/16"D x 1 15/16"H	36"W x 19 11/16"D x 1 15/16"H
Blower Type(internal):	430 CFM, 4-Speed Internal	
Blower Performance:		
Speed 1	160 CFM	
Speed 2	280 CFM	
Speed 3	470 CFM	
Speed 4	600 CFM	
Noise (sones): Woking Speed	Min: 2.36, Max: 6	
Finish:	Stainless Steel + Black Glass	
Controls:	Touch Control 3S+ Booster	
Illumination:	2 Premium LED Dimmable Lights	
Filter Type:	Dishwasher- Safe, Staineless Steel Microhole Filter	
Installation Type:	Ducted, Recirculating Kit sold seperatly	
Duct Transition:	Round 6"/150cms	
Electrical:	120 Volts, 60 Hertz, 394 Watts, 3.27 Amps	
KITS:		
Optional Recirculating Kit	KIT02721	
Optional Long Chimney Extension	KIT0100315	

PLUS FEATURES



CFM REDUCTION - CFM Reduction System (CRS), is an exclusive feature to Elica hoods, which enables the user to reduce directly in the glass touch control the maximum blower CFM, to meet local code requirements.



DIM-LIGHT - The Dimmer allows you to adjust the brightness of the light as you wish. With Elica, lighting is customized in a discreet, personal and practical way, in order to contribute in creating the perfect kitchen atmosphere.



HUSH SYSTEM - An exclusive sound deadening technology that effectively reduces sound levels up to 35%, compared to typical range hoods.



AMBIENT LIGHT - Elica studies on hood lighting leaves no stone unturned. Here we have thought about products not only able to light the cooktop, but the entire kitchen space. And so the hood is transformed: from a kitchen appliance to a true lighting element. Considering the design of Elica hoods, it is not hard to imagine how this option is quite unique, and represents one extraordinary point of strength for us.



TOP PERFORMANCE - Excellent performance for models equipped with this plus. High fume capturing capacity with an average aspiration range of 600 CFM's. with low noise levels, 1.2 - 1.7 sones at working speed.



ELECTRONIC TOUCH CONTROLS - Enjoy the modern design and convenience of multi-function electronic touch controls, which are discreetly hidden behind sleek black glass, and will illuminate a soft blue when activated.



LED LIGHT - LED lighting is undoubtedly the smartest solution in terms of energy saving. Expected life time of over 20.000 hours, represents the most remarkable advantage of LED light bulbs.