

FULGOR

MILANO



SO FIA

ENDLESS PASSION FOR COOKING

RANGE TOP 30"-36" ELECTRIC INDUCTION

INSTALLATION INSTRUCTIONS

INSTRUCTIONS D'INSTALLATION

INSTRUCCIONES PARA LA INSTALACIÓN



Dear Customer,

Thank you for purchasing a Fulgor Milano product. Fulgor Milano is committed to excellence and our signature technologies provide you with professional tools for your kitchen. One of our central philosophies is continuous investment in research that is rooted in developing life enhancing technology. Our goal is to deliver products that are worthy of your family recipes and that will breathe life into your kitchen, the heart of your home. We invite you to enjoy your new Fulgor Milano product with same amount of care and attention that we have put into creating it.

Your Life | Our Passion

Gianni Nencofetti

TABLE OF CONTENTS	PAGE
1 - Special Warnings	2
Before Starting Installation	2
Mobile Home Installation	2
2 - Product Dimensions and Cutout Requirements	3
3 - Installation Information	8
4 - Installation Information	9
5 - Electrical Connections	10
General information	10
3-Wire branch circuit	11
4-Wire branch circuit	11
6 - Final checklist	12

IMPORTANT: Save these instructions for the local electrical inspector use.

INSTALLER: Please leave this manual with owner for future reference.

OWNER: Please keep this manual for future reference.

Pay attention to these symbols present in this manual:



DANGER

You can be killed or seriously injured if you don't IMMEDIATELY follow instructions.



WARNING

This is the safety alert symbol. This symbol alerts you to potential hazards that can kill or hurt you and others. You can be killed or seriously injured if you don't follow these instructions.

READ AND SAVE THESE INSTRUCTIONS.

To installer:

Leave these instructions with the appliance.

To customer:

Retain these instructions for future reference.



WARNING

If the information in this manual is not followed exactly, a fire or explosion may resulting in product and property damage and / or personal injury or death.

Do not store or use gasoline or other flammable vapours and liquids in the vicinity of this or any other appliance.



IMPORTANT INSTRUCTION

Special Warnings

Please read all instruction before using this appliance.



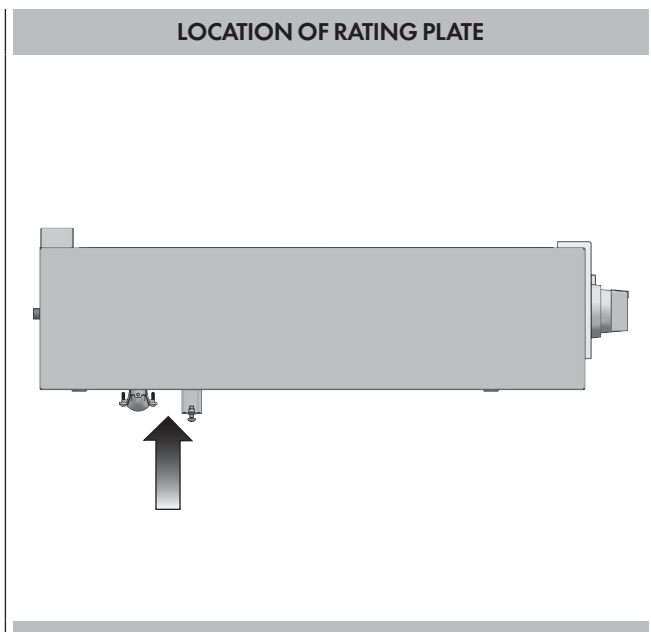
Proper installation is your responsibility.
Have a qualified technician install this rangetop.



IMPORTANT

- Observe all governing codes and ordinances.
- Write down the model and serial numbers before installing the range. Both numbers are on the serial rating plate refer to the illustration below.

LOCATION OF RATING PLATE



Mobile Home Installation

The installation of this appliances must conform to the Manufactured Home Construction and Safety Standards, Title 24 CFR, Part 3280 (formerly the Federal Standard for Mobile Home Construction and Safety; Title 24 HUD part 280); or when such standard is not applicable, the Standard for Manufactured Home Installations (Manufactured Home Sites, Communities and Setups), ANSI A225.1 - latest edition, or with local codes.

In Canada, the installation of this appliances must conform with the current standards CAN/CSA-Z240 - latest edition, or with local codes.

Before Starting Installation

- Electrical grounding is required.
See "Electrical Requirements"
- Assure that electrical installation is adequate and in conformance with National Electrical Code, ANSI/NFPA 70 - latest edition**, or Canadian Electrical Code, part 1 C22.1 (latest edition)*** and all local codes and ordinances.

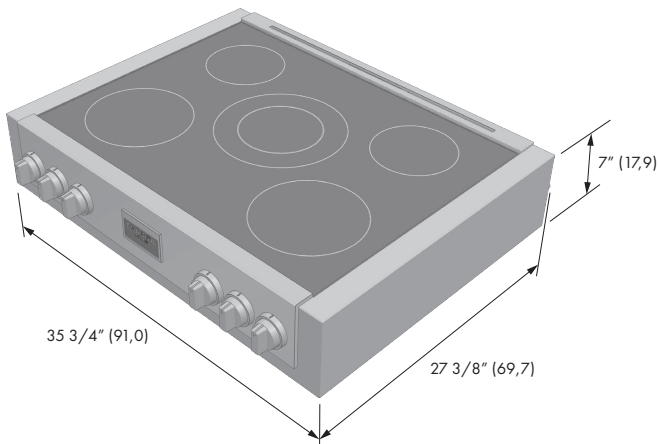
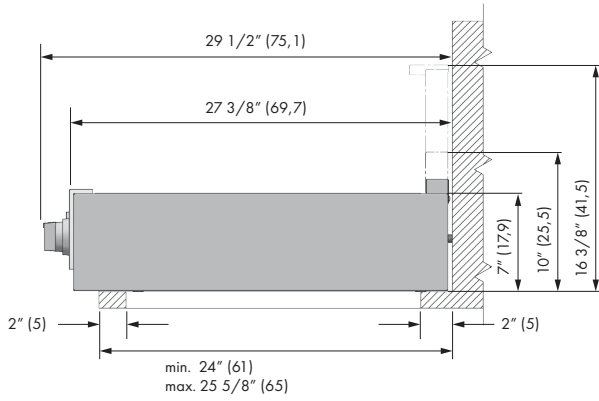
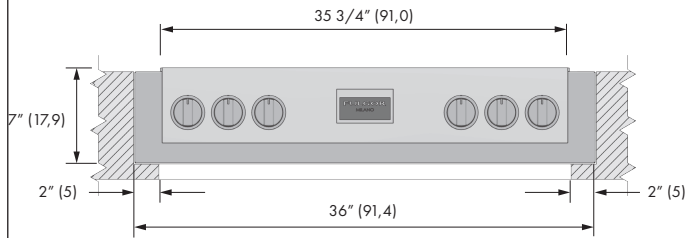
Copies of the standards listed may be obtained from:

** National Fire Protection Association One Batterymarch Park
Quincy, Massachusetts 02269

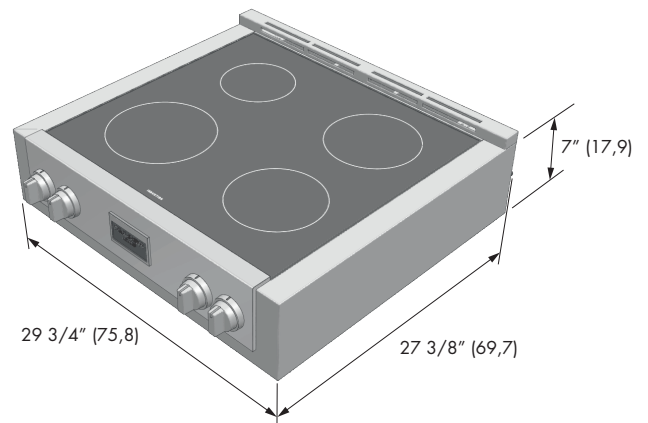
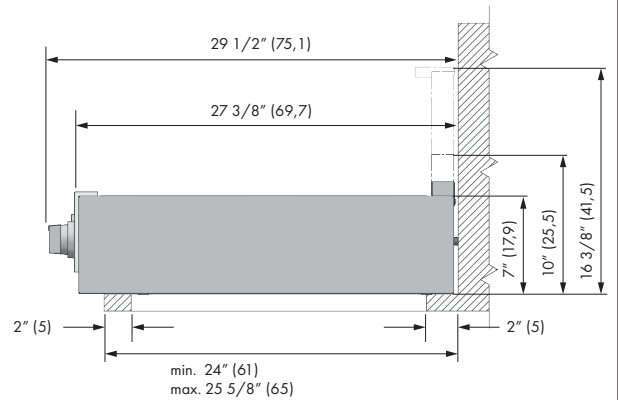
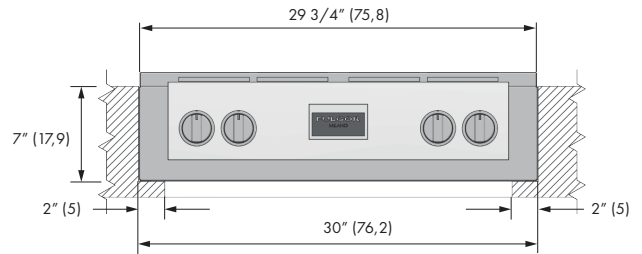
*** CSA International 8501 East Pleasant Valley Rd. Cleveland,
OH 44131-5575

PRODUCT DIMENSIONS

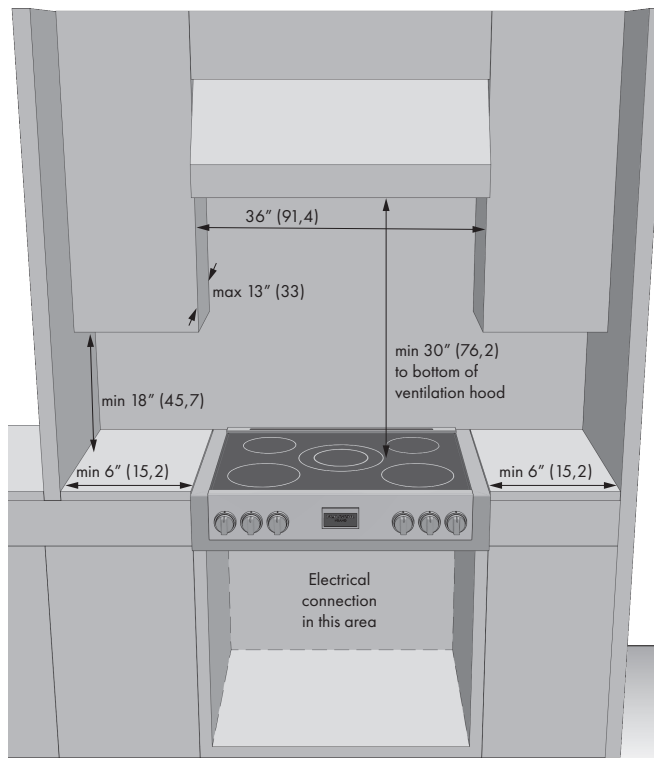
36" Wide Rangetop Models



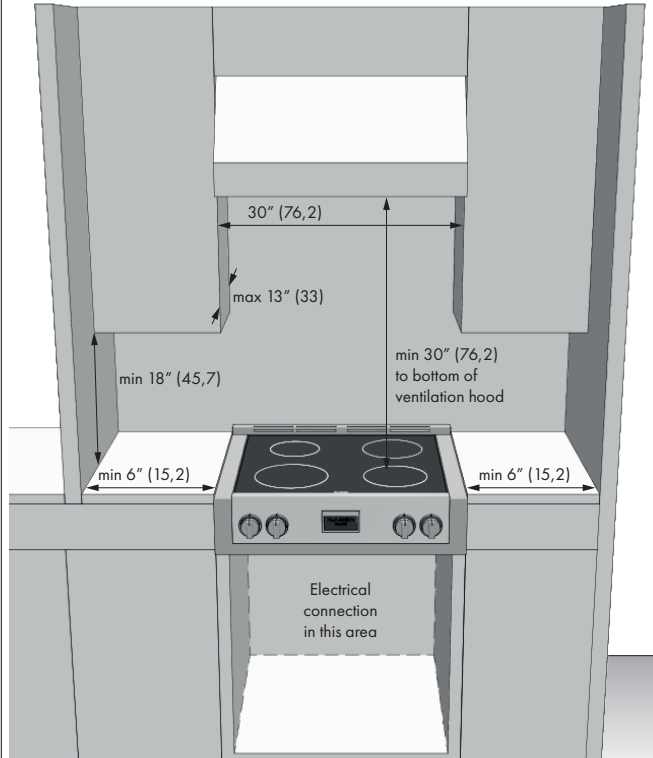
30" Wide Rangetop Models



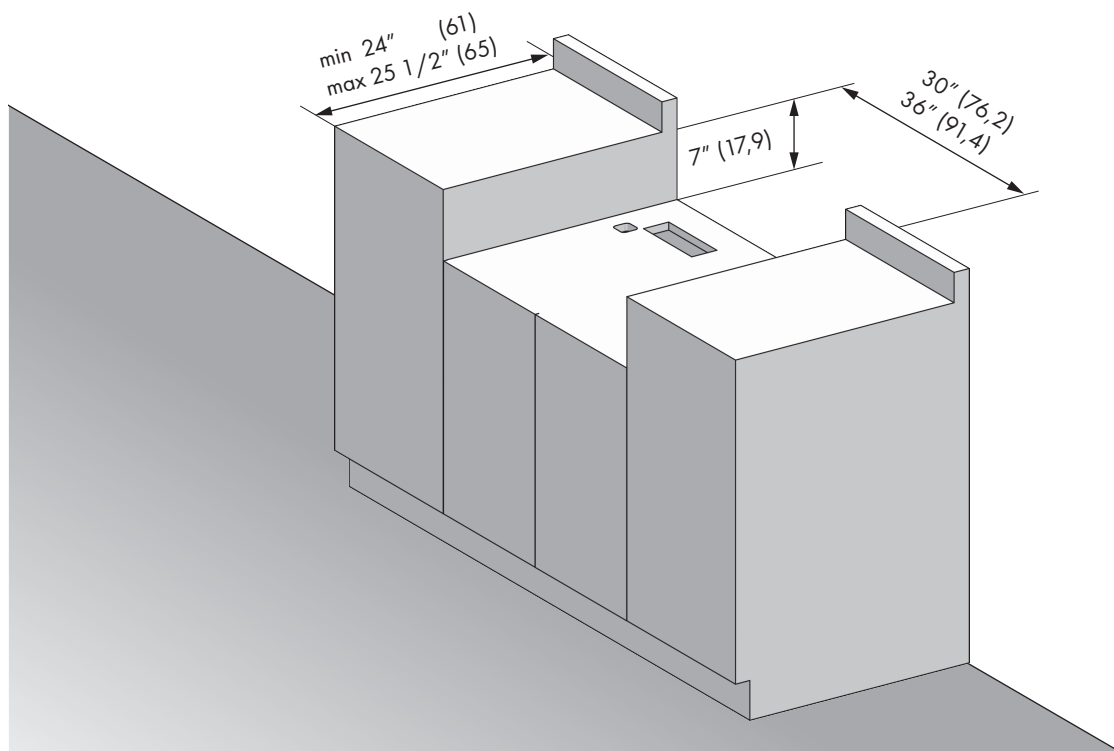
CUTOUT REQUIREMENTS 36"



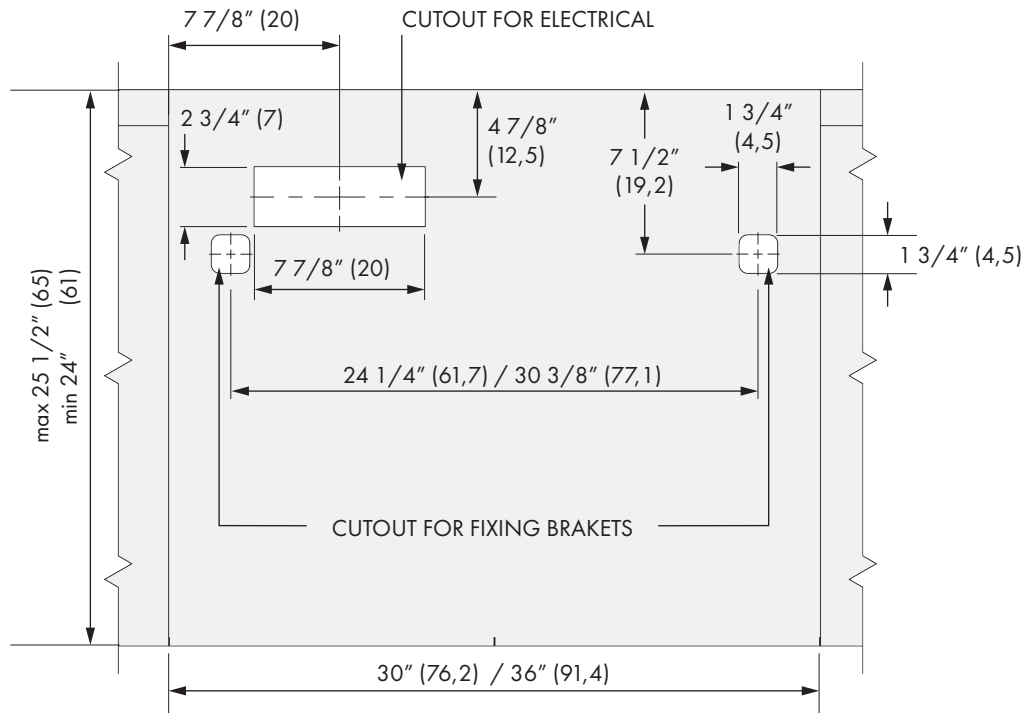
CUTOUT REQUIREMENTS 30"



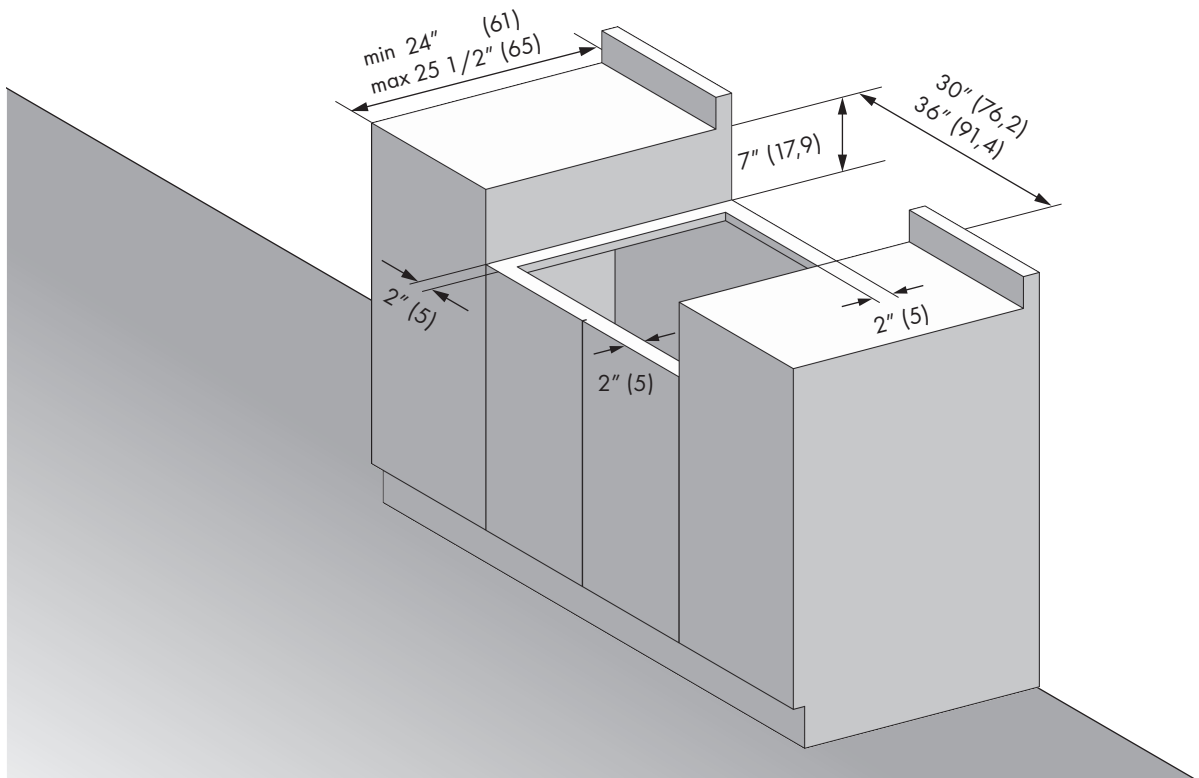
INSTALLATION WITH SEPARATOR SHEET



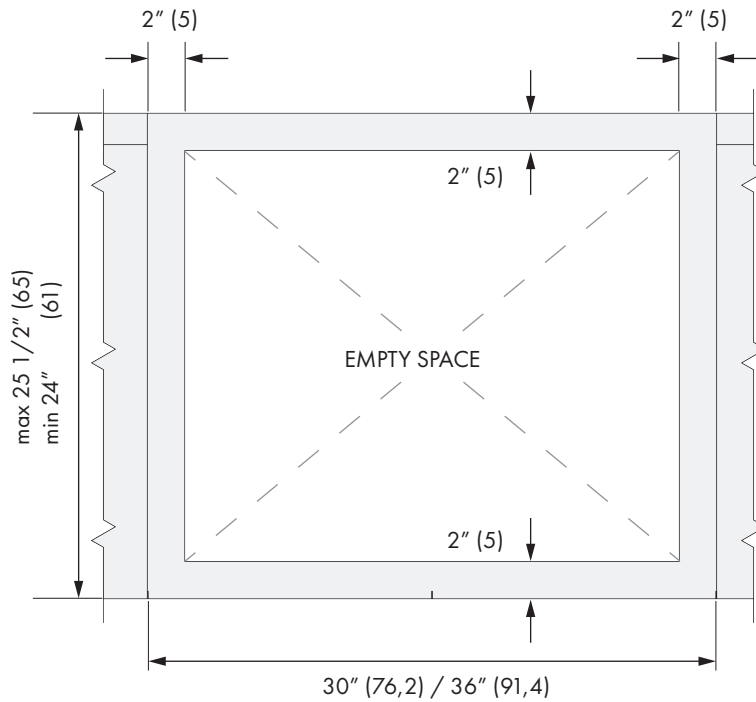
INSTALLATION WITH SEPARATOR SHEET



INSTALLATION WITHOUT SEPARATOR SHEET



INSTALLATION WITHOUT SEPARATOR SHEET



CUTOUT REQUIREMENTS

The surface of the entire back wall above the range and below the hood must be covered with a noncombustible material.

*Consult local code for exact location requirements.

Note: Clearances to non-combustible materials must conform with local codes or, in the absence of local codes, with the National Fuel Gas Code, ANSI Z223.1/NFPA 54.

ADDITIONAL CLEARANCES:

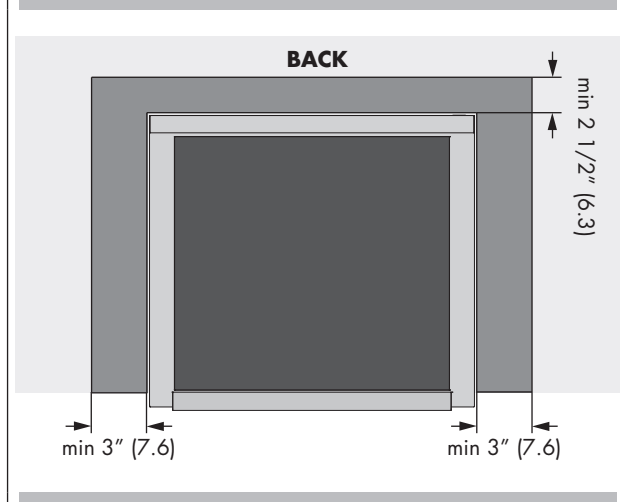
For island installation, maintain 2-1/2 in. minimum from cutout to back edge of countertop and 3 in. minimum from cutout to side edges of countertop (see top view).

Minimum clearances:

Above cooking surface (above 36" [91.4 cm])

- Sides 3" (7.6 cm)
- Within 3" (7.6 cm) side clearance, wall cabinets no deeper than 13" (33.0 cm) must be minimum 18" (45.7 cm) above cooking surface.
- Wall cabinets directly above product must be a minimum of 30" (76.2 cm) above cooking surface.
- Rear - 0" with 3" (7.6 cm) backguard.

FLUSH ISLAND TRIM INSTALLATION



Vent hood Combinations:

It is recommended that these rangetop be installed in conjunction with a suitable overhead vent hood.

Install a hood with at least 450 CFM.

Due to the high heat capacity of this unit, particular attention should be paid to the hood and ductwork installation to assure it meets local building codes.



WARNING

Clearances to horizontal surfaces above the rangetop, measured to the cooking surface are below. Failure to comply may result in fire hazard.

- Installations without a hood require 30" (76 cm) minimum to combustibles.
- For other installations with a hood, refer to the hood installation instructions for specific hood clearances.



CAUTION

Due to the weight and size of the range and to reduce the risk of personal injury or damage to the product:

TWO PEOPLE ARE REQUIRED FOR PROPER INSTALLATION.

WARNING

Excessive Weight Hazard

Use two or more people to move and install rangetop. Failure to do so can result in back or other injury.

Cut Hazard

Beware of sharp edges. Use the polystyrene ends when carrying the product. Failure to use caution could result in minor injury or cuts.

DO NOT obstruct the flow of combustion and ventilation air. All openings in the wall behind the appliance and in the floor under the appliance must be sealed.

CHOOSING RANGE LOCATION

Carefully select the location where the rangetop will be placed. The rangetop should be located for convenient use in the kitchen, but away from strong drafts.

Strong drafts may be caused by open doors or windows, or by heating and/or air conditioning vents or fans.

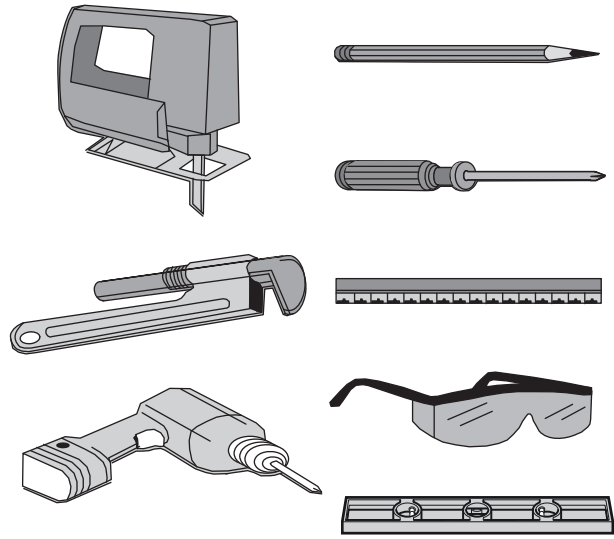
IMPORTANT NOTE

When installing against a combustible surface, a minimum riser is required for a the rangetop, Follow all minimum clearances to combustible surfaces shown in the illustration on the previous pages.

To eliminate the risk of burns or fire by reaching over heated surface units, cabinet storage space located above the surface units should be avoided.

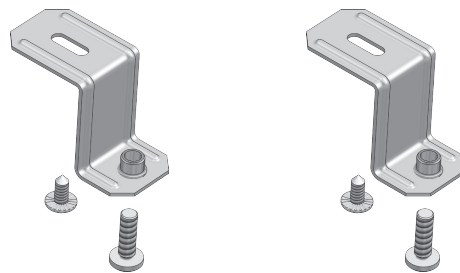
If cabinet storage is to be provided, the risk can be reduced by installing a range hood that projects horizontally a minimum of inches beyond the bottom of the cabinets.

TOOLS WILL YOU NEED



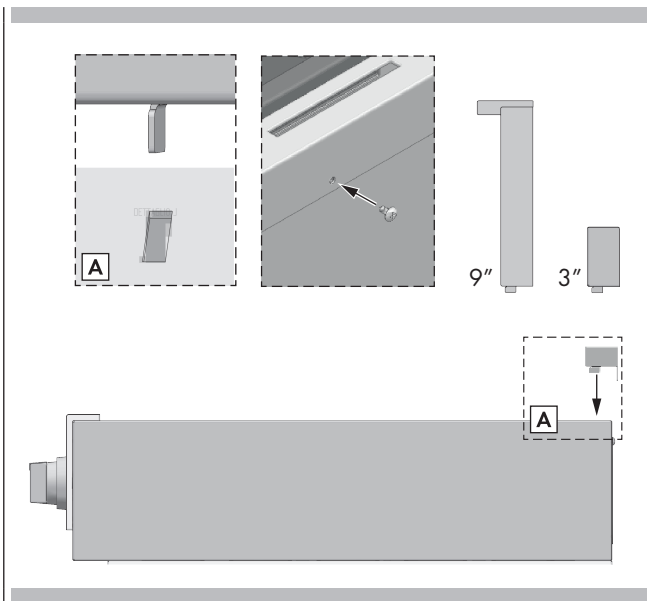
Remove packaging materials and literature package from the cooktop before beginning installation. Remove Installation Instructions from the literature pack and read them carefully before you begin

MATERIALS PROVIDED



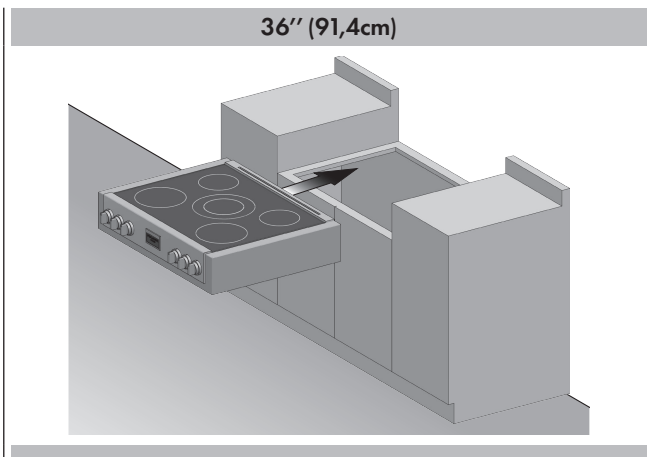
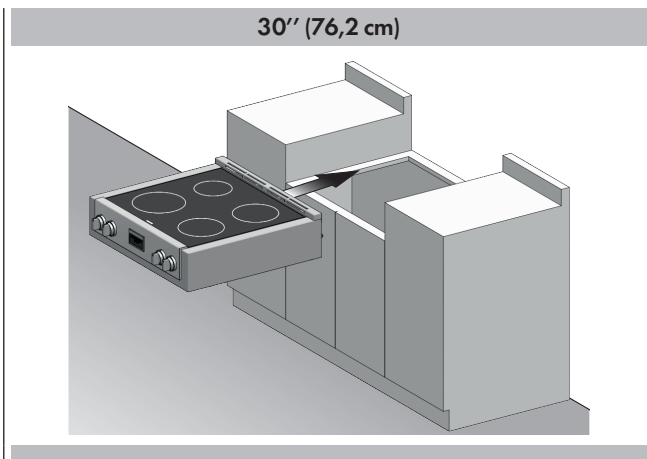
STEP 1

Install the backsplash (if provided) by the three screws on the back and the toe kick



STEP 2

Slide the range top into place.



STEP 3

Two clamp brackets are provided with your unit. After rangetop has been installed into the countertop, install the brackets on the burner box as shown.

step A place the clamping screws into brackets.

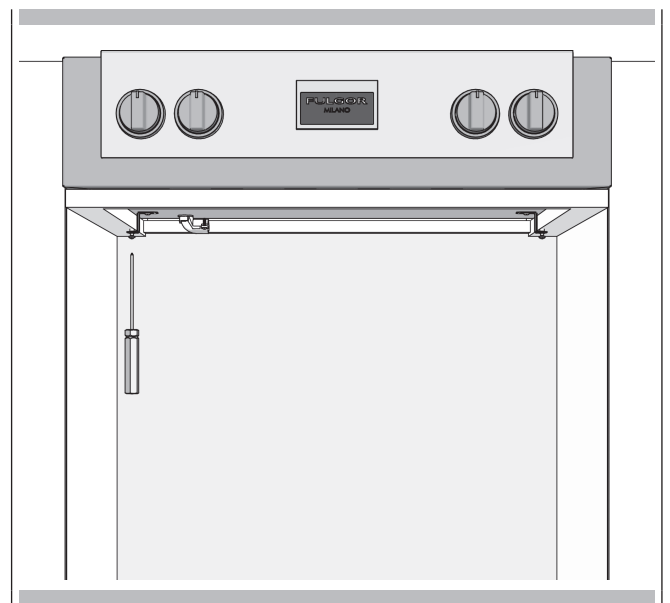
step B attach brackets by using the attachment screws on the selected location of burner box, tighten screws just enough to hold brackets in place.

step C position brackets so that they are with the clamp screw in contact with the counter top bottom.

step D tighten attachment screws securely.

step E check that the front edge of the rangetop is parallel to the front edge of the countertop tighten the screw clamping against the countertop.

DO NOT OVER TIGHTEN



DANGER

Disconnect power before servicing the product. Failure to do so could result in death or electrical shock.

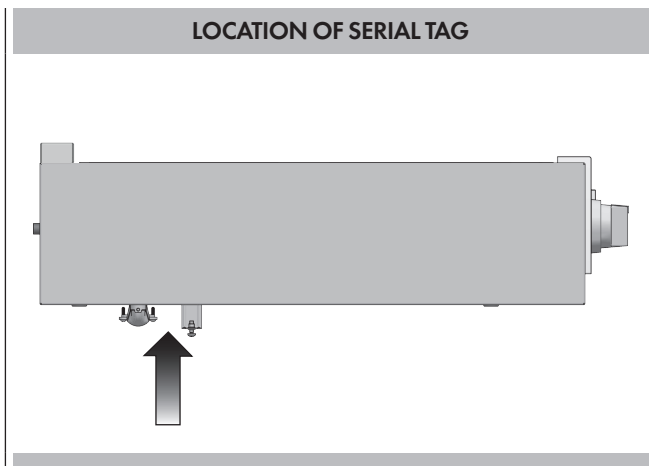
General information

WARNING

The models may be powered at 240V or 208V.

This rangetop does not require a neutral connection. If the rangetop is to be completely enclosed in a cabinet, feed the cooktop cable through the opening in the cabinet. Make the electrical connection following the appropriate steps for your installation.

Your rangetop must be connected to the proper electrical voltage and frequency as specified in the table on the right.



Connect with copper wire only

If the house has aluminum wiring, follow the procedure below:

1. Connect the aluminum wiring to the copper wire by using special connectors designed and Underwriters Laboratories-listed for joining copper to aluminum. Follow the electrical connector manufacturer's recommended procedure.
2. Aluminum/copper connection must conform with local codes and industry-accepted wiring practices.

The flexible conduit (supplied) 3 feet long (100 cm) located at the right rear of the cooktop bottom box should be connected directly to junction box. Do not cut the conduit. A U.L. - or CSA - listed conduit connector must be provided at each end of the power supply cable (at the cooktop and at the junction box.) A time delay fuse or circuit breaker is recommended.

Do not ground to a gas pipe. Do not have a fuse in the grounding or neutral circuit.

Fuse both supply (phase) lines.

WARNING

Improper connection of aluminum house wiring to the copper leads can result in a serious problem.

Model	Power Supply			
	240 V 60 Hz		208 V 60 Hz	
30"	7.20 kW	30 A	6.45 kW	31 A
36"	10.80 kW	45 A	9.80 kW	47 A

National Fire Protection Association Batter/march Park Quincy, Massachusetts 02269

A three-wire, single phase, 240 Volt 60 cycle electrical system (properly circuit protected to meet Local Codes of NFPA No.70) must be provided. Unit must be properly grounded in accordance with local wiring code. The chart below recommends the minimum circuit protector and wire size if the appliance is the only unit on the circuit. If smaller sizes of wire are used, the unit efficiency will be reduced and a fire hazard may be created. It is advisable that the electrical wiring and hookup be accomplished by a competent electrician.

Recommended Minimum		
kW Rating on serial plate	Circuit protection in amperes	Wire size (AWG)
0 - 4.8	20	12
4.9 - 6.9	30	10
7.0 - 9.9	40	8
10.0 - 11.9	50	8
12.0 - 14.9	60	6

Be sure your appliance is properly installed and grounded by a qualified technician.

Ask your dealer to recommend a qualified technician or an authorized repair service.

This rangetop does not require a neutral connection.

If the cooktop is to be completely enclosed in a cabinet, feed the cooktop cable through the opening in the cabinet.

Make the electrical connection following the appropriate steps for your installation.

This appliance is manufactured with a green ground wire connected to the cooktop chassis.

After making sure that the power has been turned off, connect the flexible conduit from the appliance to the junction box using a U.L. listed conduit connector.

The instructions provided below present the most common way of connecting the cooktops.

Your local codes and ordinances, of course, take precedence over these instructions. Complete electrical connections according to local codes and ordinances

⚠ DANGER

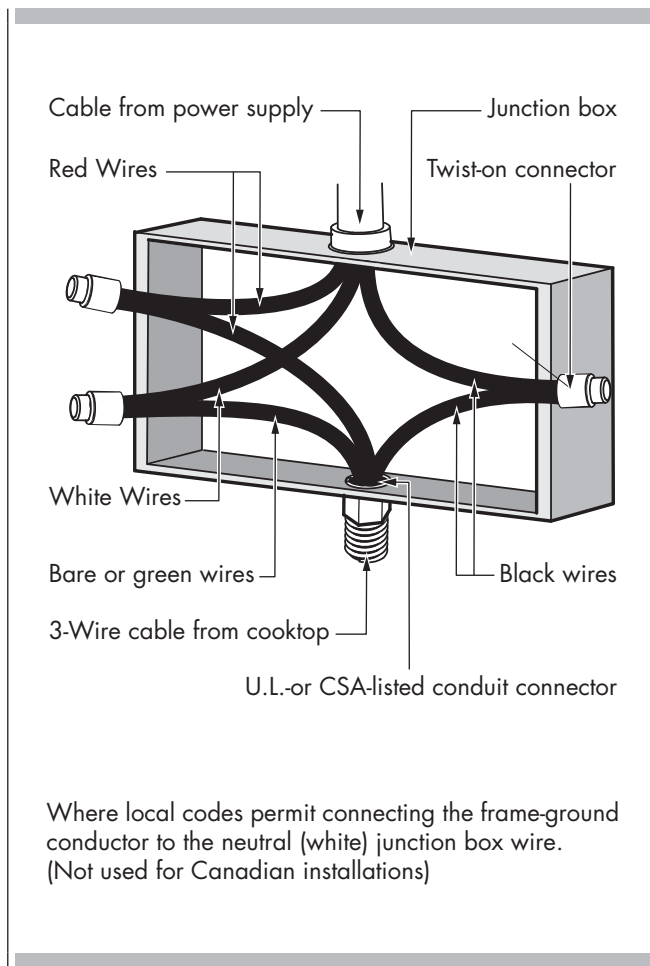
Risk of Electric Shock, frame grounded to neutral of appliance through a link.

Grounding through the neutral conductor is prohibited for new branch-circuit installations (1996 NEC); mobile homes; and recreational vehicles, or in an area where local codes prohibit grounding through the neutral conductor.

3-Wire branch circuit

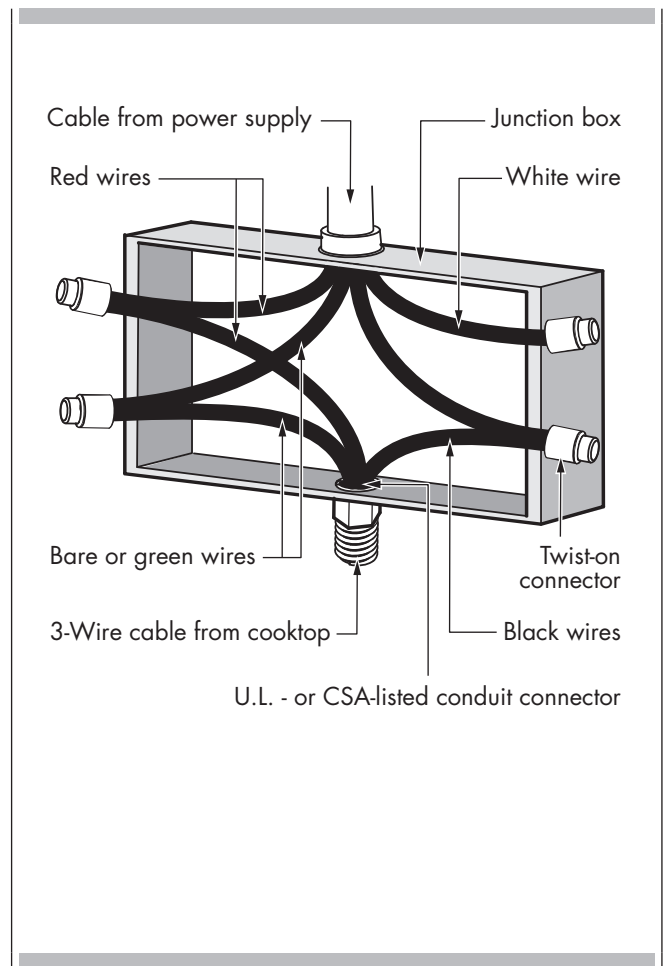
Where local codes allow the connection of ground wire from the cooktop to the branch circuit neutral wire (gray or white colored wire) proceed as follows:

1. If local codes permit, connect the green GROUND wire from the cooktop to the branch circuit neutral wire (gray or white colored wire).
2. Connect the red and black leads from the cooktop to the corresponding leads in the junction box.



4-Wire branch circuit

1. Connect the green ground wire from the cooktop to the ground wire in the junction box (bare or green colored wire).
2. Connect the red and black leads from the cooktop to the corresponding leads in the junction box.
3. Terminate and insulate the neutral (gray or white colored wire) in the junction box.



To prevent improper connections leading to damage of electrical components and so voiding the warranty, the following steps must be performed:

1. Check the electrical requirements and make sure you have the correct electrical supply and that the range is properly grounded.
2. Before the range is connected, turn on the power supply.
3. Check power at the junction box wires using a voltmeter having a range of 0-250 VAC.

**IMPORTANT**

Leave these **INSTALLATION** instructions as well as the **USE AND CARE MANUAL** with the owner.

TABLES DES MATIERES	PAGE
1 - Avertissement Spéciaux	2
Avant de Procéder à l'Installation	2
Installation autocaravane	2
2 - Dimensions et Dispositions pour la Découpe	3
3 - Consignes d'installation	8
4 - Instructions d'Installation	9
5 - Connexions Electriques	10
Informations générales	10
Connexion à 3 fils	11
Connexion à 4 fils	11
6 - Liste de vérification finale	12

IMPORTANT: Gardez ces instructions pour une utilisation d'inspection électrique locale

INSTALLATEUR: Veuillez laisser ce manuel au propriétaire pour de futures références.

PROPRIETAIRE: Veuillez garder ce manuel pour de futures références.

Veillez prêter attention à ces symboles que vous rencontrerez dans ce manuel :



DANGER

Si vous ne suivez pas IMMEDIATEMENT ces instructions, vous courez le risque de mourir ou d'être sérieusement blessé.



AVERTISSEMENT

Ce symbole signifie que la sécurité est en danger. Il signale les risques potentiels qui peuvent entraîner la mort ou des blessures à l'opérateur ou aux autres.

Si vous ne suivez pas ces instructions à la lettre, vous courez le risque de mourir ou d'être sérieusement blessé.

BIEN LIRE CES INSTRUCTIONS ET LES CONSERVER.

À l'installateur :

Laissez ces instructions avec l'appareil.

Au client :

Gardez ces instructions comme référence future.



AVERTISSEMENT

Le respect minutieux des indications fournies dans ce manuel est indispensable pour éviter le risque de feu ou d'explosion susceptible d'endommager les biens et les produits et de provoquer des blessures, voire même la mort.

Ne pas stocker ou utiliser de l'essence ou d'autres liquides inflammables à proximité de cet appareil ou de tout autre appareil électroménager.



INSTRUCTION IMPORTANT

Avertissement Spéciaux
Veuillez lire les instructions avant toute utilisation



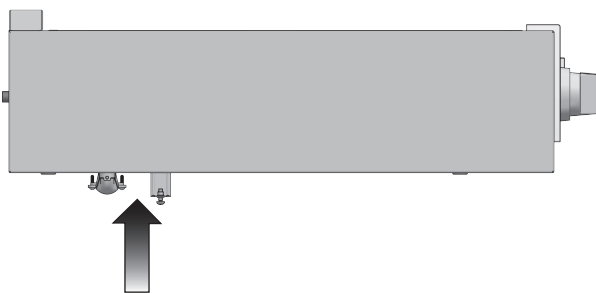
Il est de votre responsabilité d'installer l'appareil correctement. Confiez l'installation de cette cuisinières à un technicien qualifié.



AVERTISSEMENT

- Respecter les règlements et ordonnances en vigueur.
- Avant l'installation de la cuisinière, noter le modèle et les numéros de série. Les deux numéros se trouvent sur la plaque de données dans la position indiquée dans la figure ci-dessous.

POSITION DE LA PLAQUE SIGNALÉTIQUE



Installation autocaravane

L'installation de cette table de cuisson doit être conforme aux Normes de Construction et de Sécurité des Habitations, titre 24 CFR, Partie 3280 (jadis la Norme Fédérale pour la Construction et la Sécurité des Autocaravanes; titre 24HUD partie 280); ou lorsque de telles normes ne sont pas applicables, la Norme pour les Installations des Habitations (Emplacements, Communautés et Structures Habitations), ANSI 225.1 - dernière édition ou aux réglementations locales.

Au Canada, l'installation de cette table de cuisson doit être conforme aux normes en vigueur CAN/CSA-Z240 - dernière édition ou aux réglementations locales.

Avant de Procéder à l'Installation

- L'appareil doit nécessairement être relié à la terre. Voir «Conditions requises électricité».
- Veuillez vous assurer que l'installation électrique est adéquate et conforme à la Réglementation Électrique Nationale ANSI/NFPA 70 – dernière édition** ou à la Réglementation Électrique du Canada, C22.1 – 1982 et C22.2 N° 01982 (ou dernière édition)*** et à tous les règlements et ordonnances en vigueur localement.

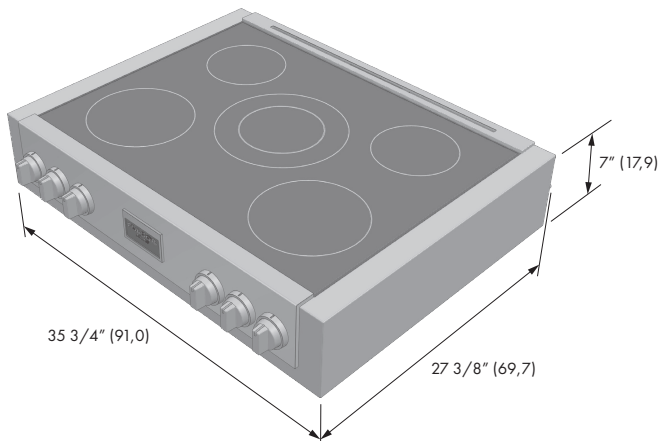
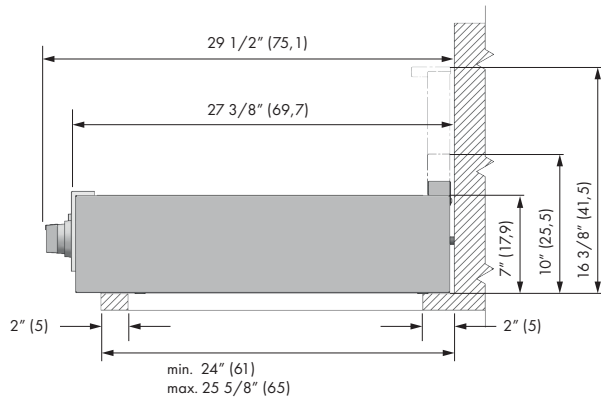
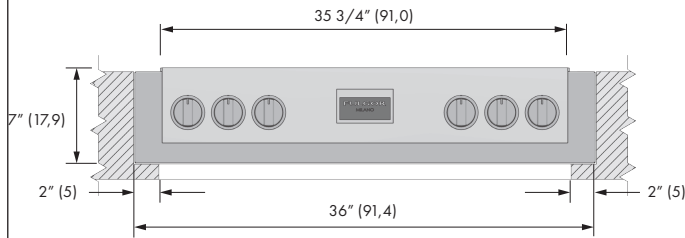
Vous pouvez demander une copie des standards répertoriés à:

** National Fire Protection Association One Batterymarch Park
Quincy, Massachusetts 02269

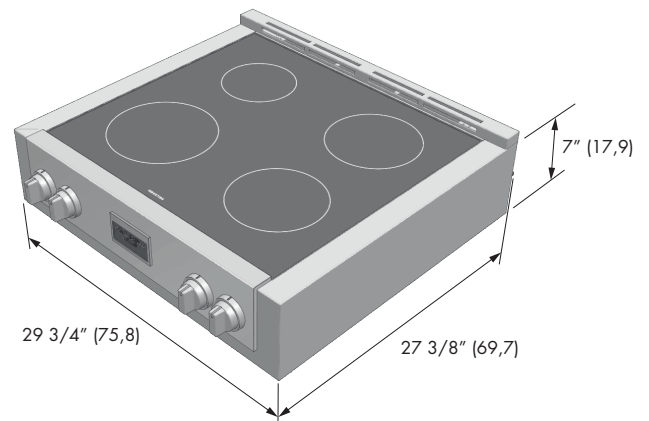
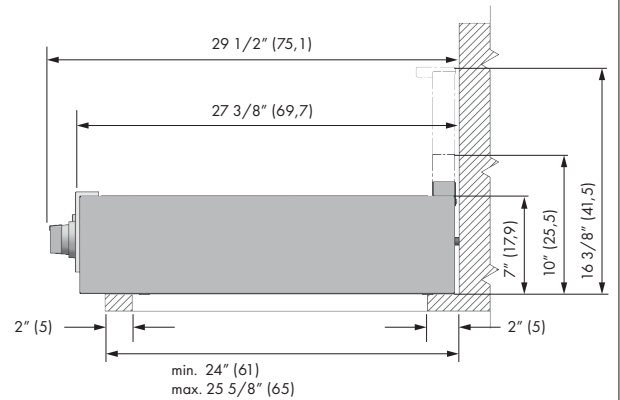
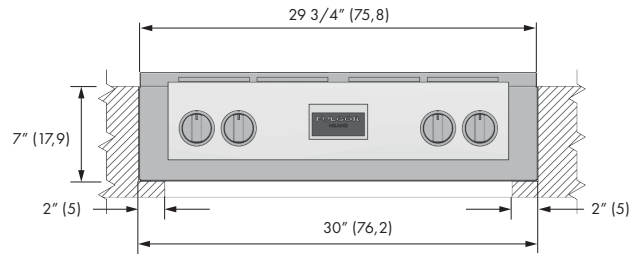
*** CSA International 8501 East Pleasant Valley Rd. Cleveland,
OH 44131 – 5575

DIMENSIONS DU PRODUIT

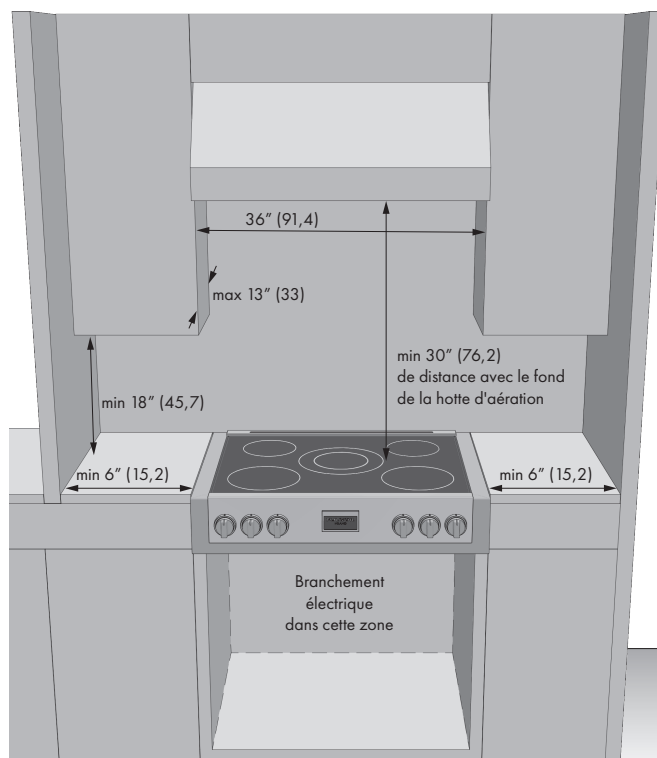
Modèles de cuisinière 36"



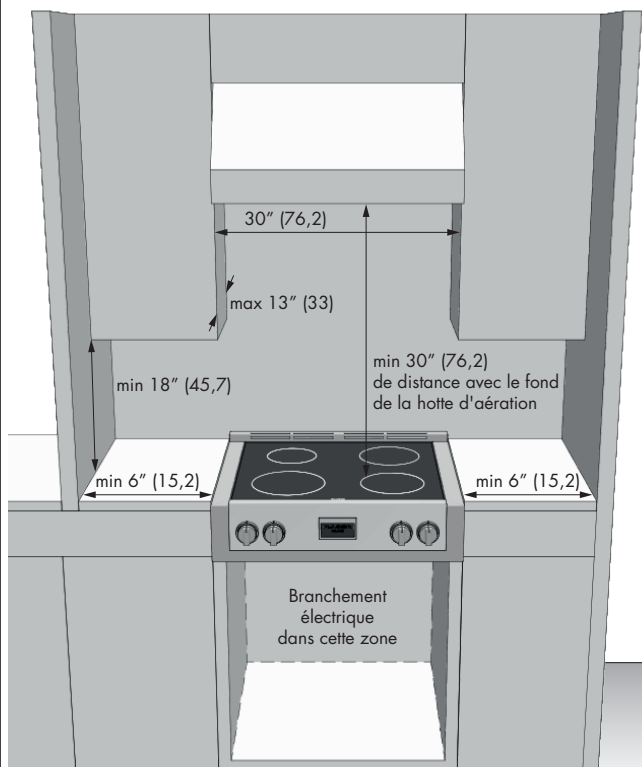
Modèles de cuisinière 30"



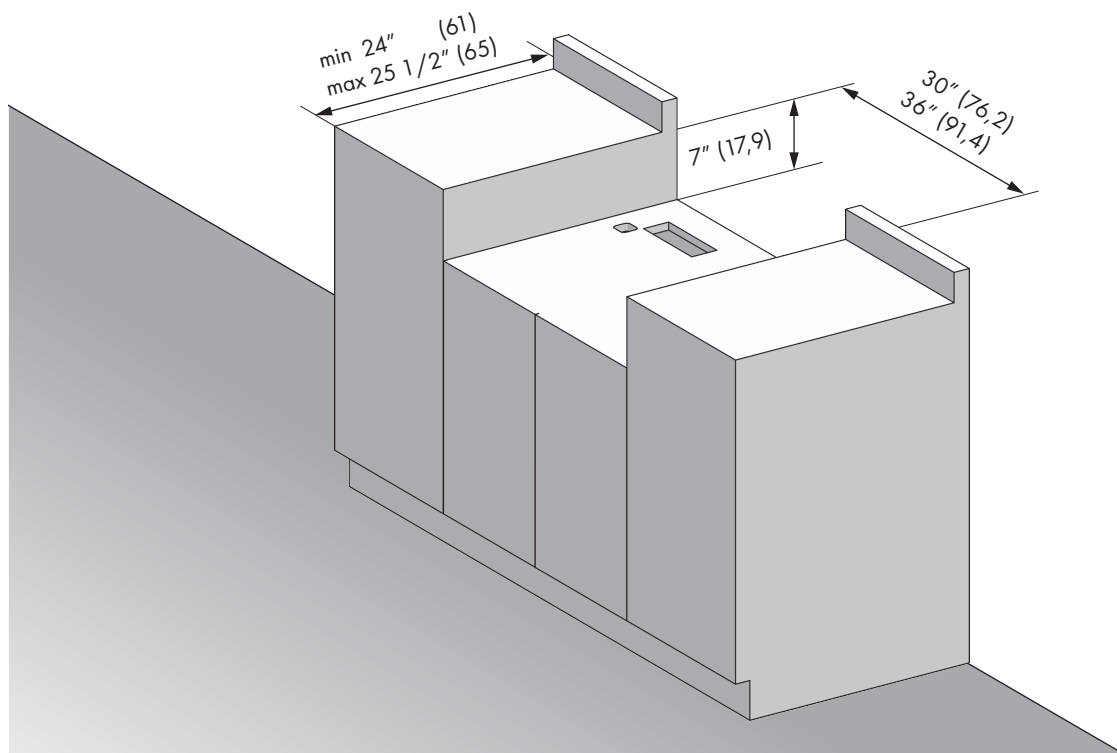
DISPOSITIONS POUR LA DÉCOUPE 36"



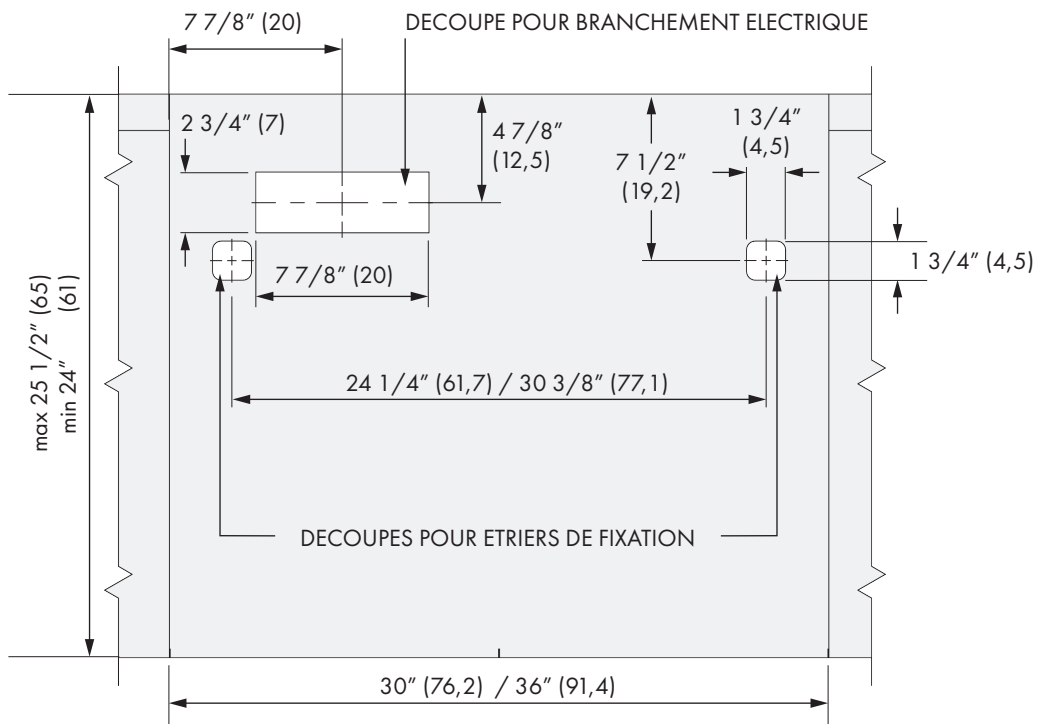
DISPOSITIONS POUR LA DÉCOUPE 36"



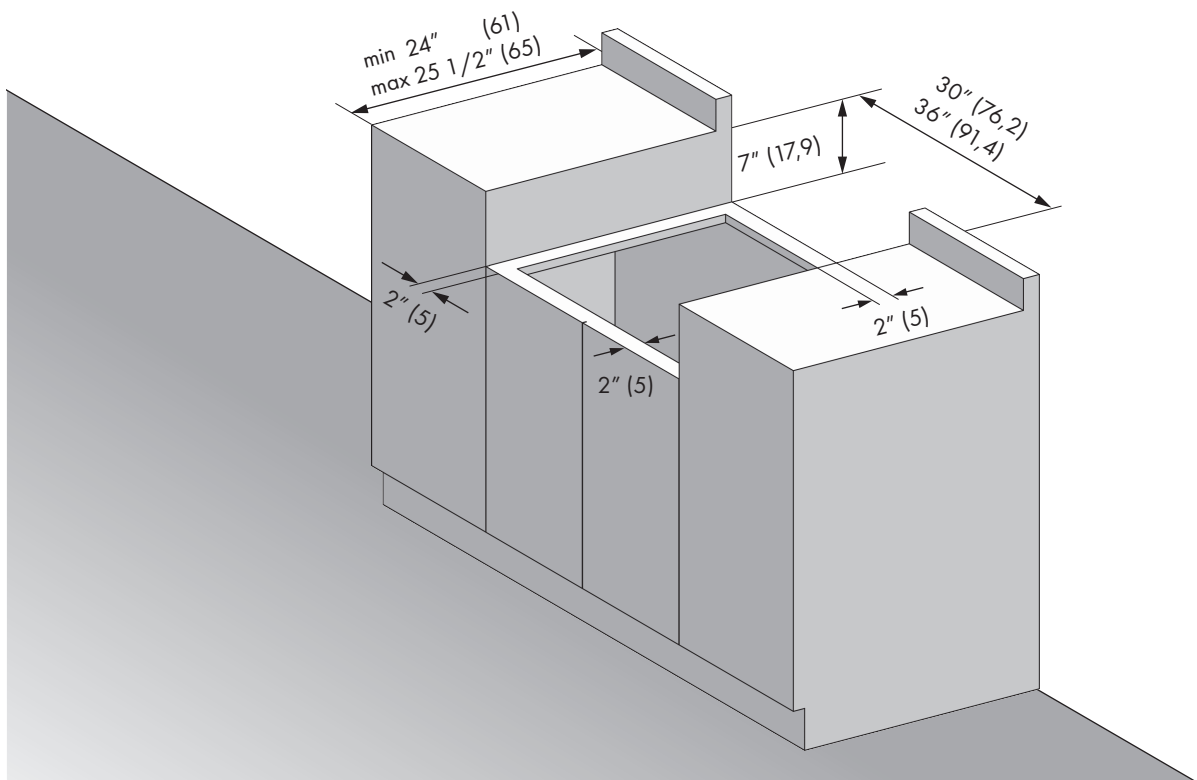
INSTALLATION AVEC PLAQUE DE SEPARATION



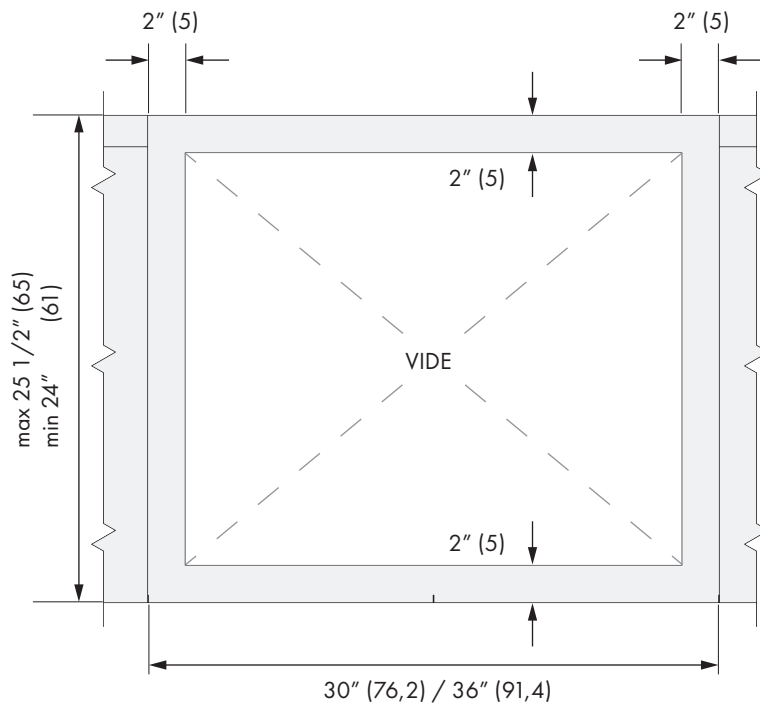
INSTALLATION AVEC PLAQUE DE SEPARATION



INSTALLATION SANS PLAQUE DE SEPARATION



INSTALLATION SANS PLAQUE DE SEPARATION



DISPOSITIONS POUR LA DÉCOUPE

La totalité de la surface du mur arrière ainsi que la surface se trouvant au-dessus de la table de cuisson doit être faite d'une matière ignifuge.

* Consulter les réglementations locales pour les exigences exactes de localisation.

Remarque: La distance par rapport aux matériaux non combustible doit respecter les réglementations locales ou, en l'absence de celles-ci, avec le « National Fuel Gas Code », ANSI Z223.1/ NFPA 54.

ESPACE SUPPLÉMENTAIRES:

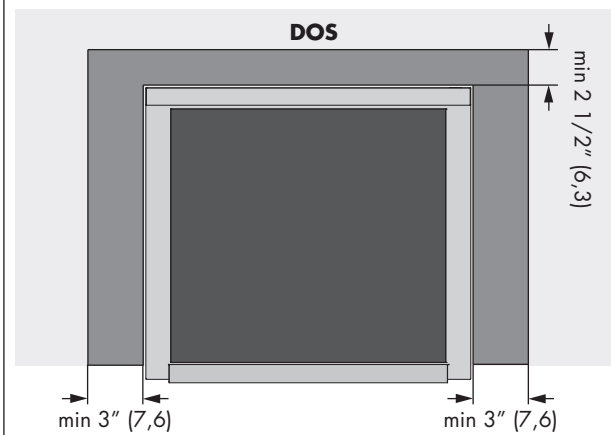
Pour une installation en îlot, maintenir une distance minimum de 6,3 cm (2 1/2 po) entre le bord et le dos du comptoir et 7,6 cm (3 po) minimum sur les côtés du comptoir (voir vue de dessus).

Dégagements minimums d'une construction:

Au-dessus de la surface de cuisson [au-dessus de 36 po (91,4 cm)]

- Côtés - 3 po (7,6 cm)
- Avec un dégagement latéral de 3 po (7,6 cm) ou moins, les placards muraux ne mesurant pas plus de 13 po (33 cm) de profondeur doivent se trouver à 18 po (45,7 cm) minimum au-dessus de la surface de cuisson.
- Les armoires murales juste au-dessus du produit doivent se trouver à 30 po (76,2 cm) minimum au-dessus de la surface de cuisson
- Arrière - 0 po avec dossier de 3 po (7,6 cm).

INSTALLATION ÉBARBER



Disposition de hotte d'extraction:

Il est recommandé d'installer nos cuisinières avec une hotte d'extraction suspendue.

Installez une hotte disposant d'une capacité d'évacuation d'au moins 450 CFM.

Cet appareil produisant une importante quantité de chaleur, vous devez porter une attention toute particulière à l'installation de la hotte et de la conduite d'aération afin de vous assurer qu'elle répond aux normes de construction en vigueur dans votre région.



AVERTISSEMENT

Il faut prévoir les dégagements ci-dessous par rapport aux surfaces horizontales qui se trouvent au-dessus de la cuisinière.

Le non-respect de cette consigne pourrait présenter un risque d'incendie.

- Pour les installations dépourvues de hotte, prévoyez un espace minimum de 30" (76 cm) entre l'appareil et tout élément inflammable situé au-dessus de celui-ci.
- Pour obtenir les spécifications relatives aux espaces d'autres installations pourvues d'une hotte, veuillez vous reporter aux instructions fournies avec celle-ci



ATTENTION

Afin d'éviter tout risque de blessure ou d'endommagement de l'appareil et compte tenu du poids et de la taille de la cuisinière:

DEUX PERSONNES SONT NÉCESSAIRES POUR UNE INSTALLATION ADÉQUATE DES CUISINIÈRES.

**AVERTISSEMENT**

- **Risque du fait du poids excessif**

Soyez à deux personnes ou plus pour porter et installer la cuisinière. Sinon, vous risquez de vous blesser au dos ou de subir d'autres blessures.

- **Risque de coupure**

Méfiez-vous des bords tranchants et des extrémités du polystyrène lorsque vous portez le produit. Sinon, vous risquez de vous couper ou de vous faire légèrement mal.

NE PAS obstruer le flux de combustion et l'air de ventilation. Toutes les ouvertures dans le mur situé derrière l'appareil et dans le sol, sous l'appareil, doivent refermées et scellées.

CHOIX DE LA POSITION DE LA CUISINIÈRE

Choisissez attentivement l'emplacement d'installation de la cuisinière.

La cuisinière doit être positionnée pour être utilisée dans la cuisine, mais loin des courants d'air.

Une porte ou une fenêtre ouvertes, l'air mis en mouvement par les ventilateurs de chauffage/climatisation peuvent causer des courants d'air forts.

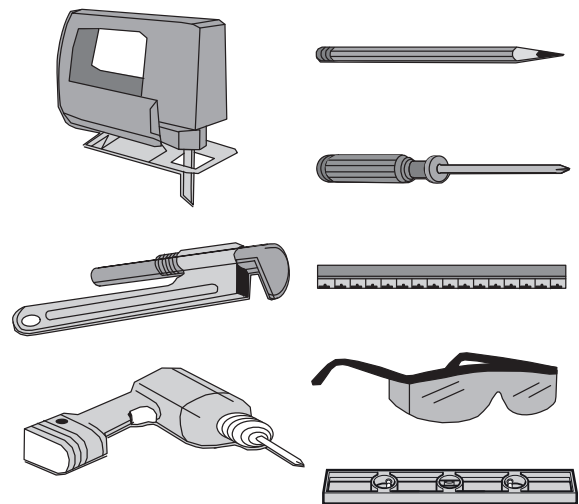
**NOTE IMPORTANTE**

Si vous installez la cuisinière contre une surface combustible, veillez à prévoir un minimum de rehausse.

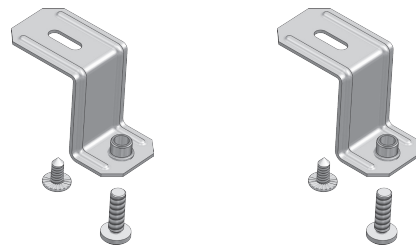
Respectez toutes les distances par rapport aux surfaces combustibles qui sont indiquées dans les pages précédentes

Pour éliminer le risque de brûlure ou d'incendie à cause d'une surchauffe de la surface des unités, évitez de placer une armoire de rangement au-dessus de l'unité.

Si vous avez une armoire au-dessus de la cuisinière, vous pouvez réduire le risque en installant à une certaine distance au-dessous de la partie inférieure de l'armoire un écran de protection qui projette horizontalement.

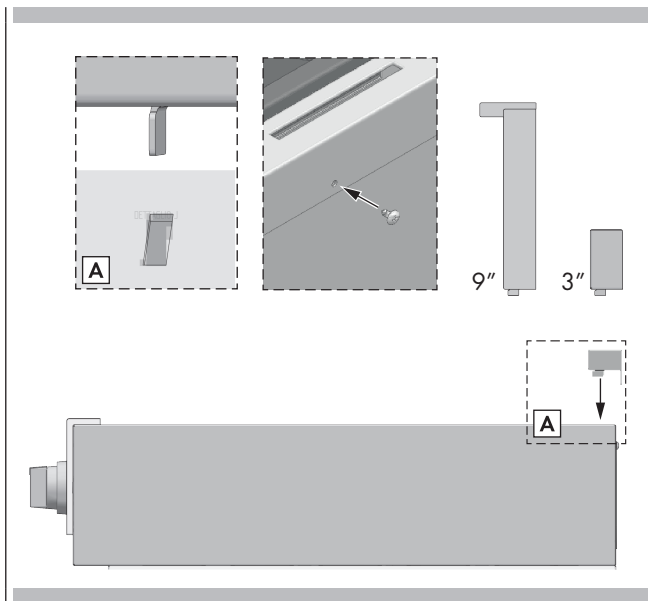
LES OUTILS DONT VOUS AUREZ BESOIN

Avant de commencer l'installation, enlevez les matériaux d'emballage et les manuels d'explication sur la table de cuisson; puis retirez du manuel d'explication, les instructions concernant l'installation et lisez-les avec attention.

MATÉRIEL FOURNI

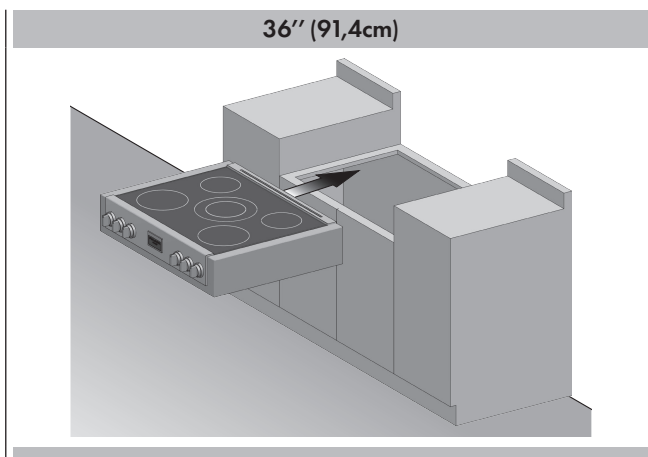
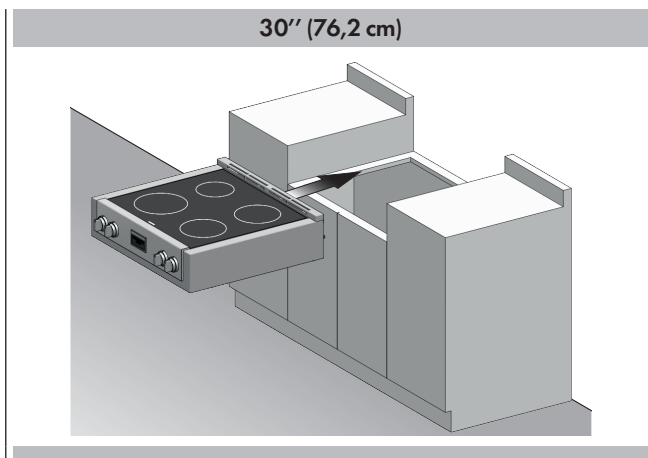
ÉTAPE 1

Installez le dossieret (si fourni) au moyen de trois vis dans la partie postérieure et la plinthe



STEP 2

Faire glisser la cuisinière à son emplacement



ÉTAPE 3

2 étriers de fixation sont fournis avec l'unité. Une fois la table de cuisson encastrée dans le plan de travail, fixez les étriers sur la caisse du brûleur comme indiqué.

Étape A placez les vis de fixation dans les étriers.

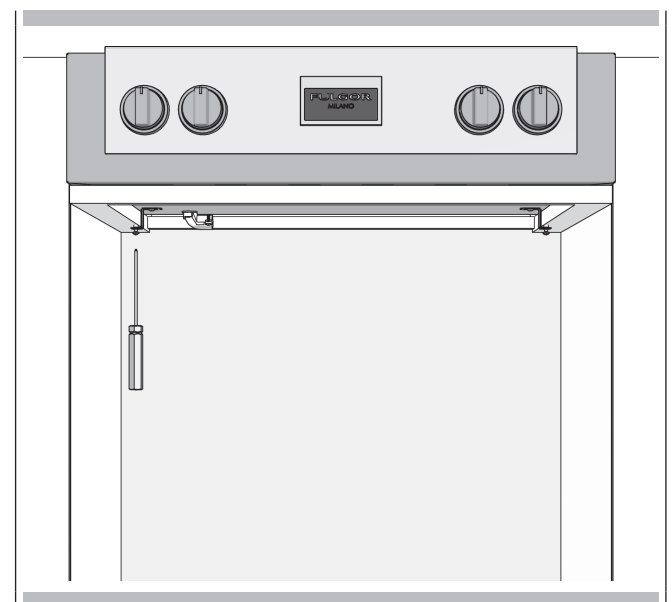
Étape B attachez les étriers par des vis de fixation aux endroits choisis sur la boîte du brûleur, serrez les vis juste assez pour tenir en place les étriers.

Étape C: positionnez les étriers et les vis de fixation de sorte qu'ils soient au contact du bas du plan de travail.

Étape D: bien serrer les vis de fixation.

Étape E: vérifiez que le bord antérieur de la table de cuisson est bien parallèle au bord du plan de travail, serrez la vis de fixation contre le plan de travail.

BIEN SERRER MAIS PAS TROP FORT



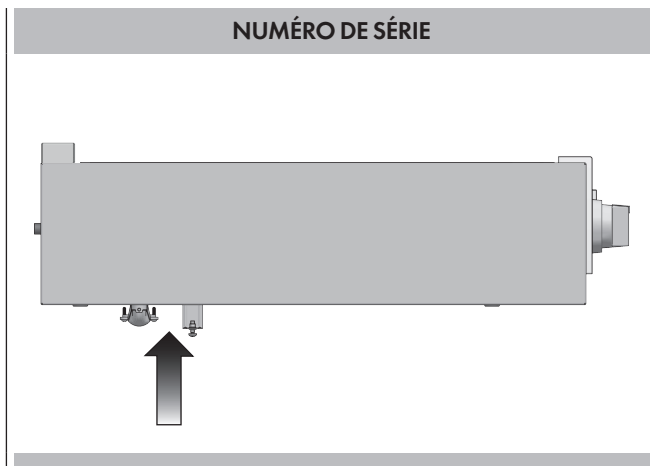
DANGER

Débranchez l'électricité avant de mettre en service le produit. Sinon, vous risquez de vous tuer ou de vous électrocuter.

Informations générales**AVERTISSEMENT**

Les modèles peuvent être actionnés à 240V ou à 208V.

Cette table de cuisson n'exige pas de branchement neutre. Si la table de cuisson doit être complètement fermée dans un meuble, alimentez le câble de la table de cuisson à travers l'ouverture du meuble. Faites les branchements électriques selon les étapes appropriées pour votre installation. Votre table de cuisson doit être connecté au voltage électrique correct et au fréquence spécifié à droite.

**Connexion uniquement avec un câble en cuivre**

Si la maison est pourvue d'un câblage aluminium, suivez la procédure suivante:

1. Raccordez le câblage aluminium au câble en cuivre en utilisant des raccords spéciaux conçus et venant de Underwriters Laboratories-listed pour joindre le cuivre à l'aluminium. Suivez les instructions recommandées du fabricant des raccords électriques.
2. La connexion aluminium/cuivre doit être conforme aux codes locaux et industriels acceptés pour les câblages.

Le conduit flexible conduit (fourni) de 3 pieds (100 cm) situé à l'arrière à droite sous le caisson de la table de cuisson doit être connecté directement à la boîte de jonction. Ne coupez pas le conduit. Un raccord de conduit U.L. - ou CSA- listed doit être posé à chaque extrémité du câble d'alimentation électrique (à la table de cuisson et à la boîte de jonction.) Un dispositif de surcharge ou un disjoncteur est recommandé.

Ne le branchez pas à un tuyau à gaz. Ne placez de fusible dans le branchement ou de circuit neutre. Raccordez les deux lignes d'alimentation (phase).

AVERTISSEMENT

Une connexion incorrecte de l'installation électrique en aluminium au cuivre peut entraîner des problèmes graves.

Modèle	Alimentation électrique requise			
	240 V 60 Hz		208 V 60 Hz	
30"	7.20 kW	30 A	6.45 kW	31 A
36"	10.80 kW	45 A	9.80 kW	47 A

National Fire Protection Association Batter/march Park Quincy, Massachusetts 02269

Il faut avoir une prise à trois fils, courant monophasé, système électrique de 240 volt 60 cycles (circuit protégé correctement pour être conforme aux codes locaux de NFPA No.70). L'appareil doit être correctement branché selon le code de câblage local. Le tableau ci-dessous recommande le protecteur de circuit minimum et la taille de câble minimum si l'appareil est le seul sur le circuit. Si des tailles de câble plus petites sont utilisées, l'efficacité de l'appareil sera réduite et un risque d'incendie est possible. Il est conseillé que le câblage électrique et le branchement soit mis en place par un électricien compétent.

Minimum recommandé		
Caractéristiques des kW sur plaques de série	Protection de circuit en ampères	Taille de câble (AWG)
0 - 4.8	20	12
4.9 - 6.9	30	10
7.0 - 9.9	40	8
10.0 - 11.9	50	8
12.0 - 14.9	60	6

Assurez-vous que votre installation est correctement installée et branchée par un technicien qualifié.

Demandez à votre revendeur un technicien qualifié ou un service de réparation agréé.

Cette table de cuisson n'exige pas de connexion neutre.

Si la table de cuisson doit être complètement enfermée dans un meuble, posez le câble de la table de cuisson à travers l'ouverture du meuble.

Faites les branchements électriques en suivant les étapes appropriées pour votre installation.

Cet appareil est fabriqué avec un conducteur de terre vert connecté au châssis du table de cuisson.

Après vous être assuré qu'il n'y a plus de courant, branchez le conduit flexible depuis le table de cuisson jusqu'au boîtier de raccordement en utilisant un connecteur de conduit U.L. listed. Les instructions fournies présentant la manière la plus commune de brancher un table de cuisson. Vos codes locaux et règlements sont évidemment prioritaires sur ces instructions.

Effectuez les connexions électriques conformément aux codes locaux et les règlements.



DANGER

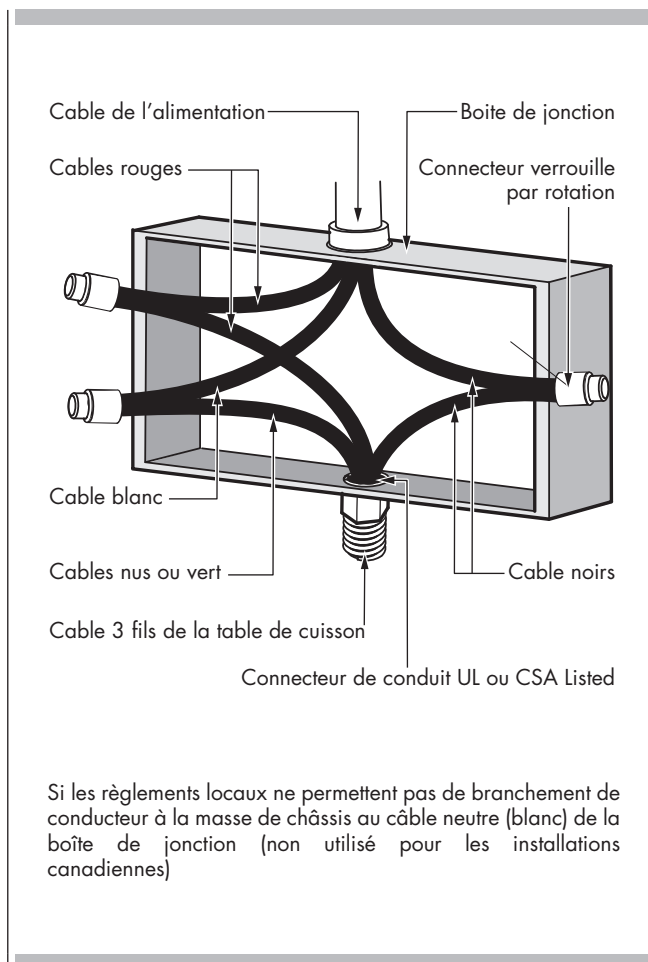
Risque d'électrocution, cadre à la masse à une position neutre d'un appareil par une liaison

Mettre à la masse par un conducteur neutre est interdit pour les nouvelles installations de circuit électrique (1996 NEC); les mobile homes; et les véhicules de parc, ou dans les régions où les codes locaux interdisent de brancher à la masse à travers un conducteur neutre.

Connexion à 3 fils

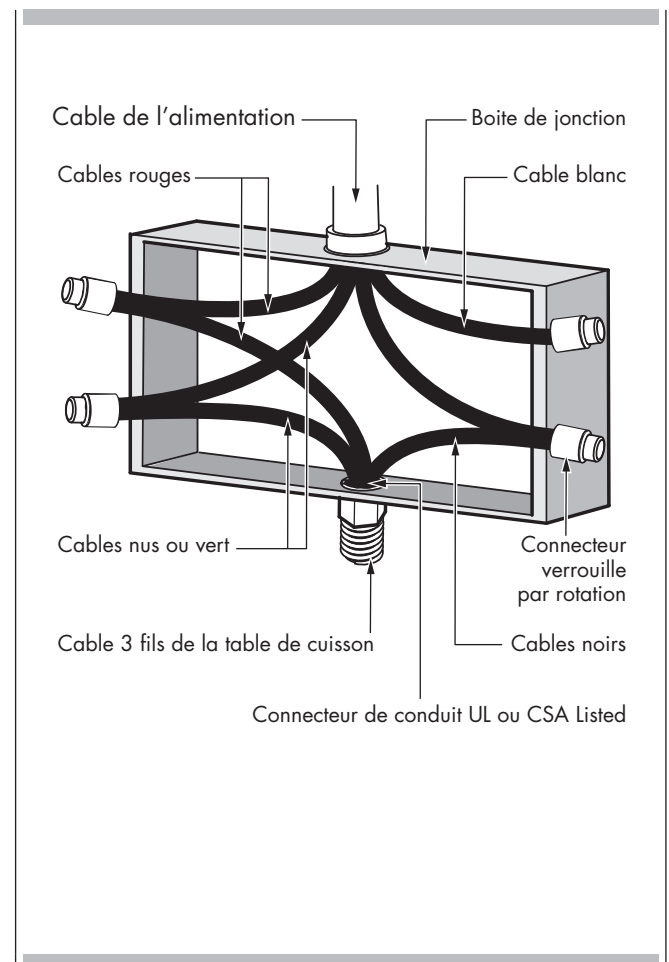
Où les codes locaux permettent la connexion du conducteur de terre du four au fil neutre du circuit de branchement (fil gris ou coloré blanc):

1. Si les codes locaux le permettent, connectez le conducteur de terre vert du table de cuisson et le fil neutre du circuit de branchement (fil gris ou coloré blanc).
2. Connectez les broches de raccordement du table de cuisson aux broches de raccordement correspondantes dans le boîtier de jonction.



Connexion à 4 fils

1. Connectez le conducteur de terre vert du table de cuisson au conducteur de terre dans le boîtier de jonction (câble nu ou coloré vert).
2. Connectez les broches de raccordement rouge et noir du table de cuisson aux broches de raccordement correspondantes dans le boîtier de raccordement.
3. Raccordez et isolez le câble neutre (gris ou blanc) à la boîte de jonction.



Afin d'éviter des erreurs de raccordement pouvant porter à la détérioration des composants électriques et à la perte d'effet de la garantie, suivre les indications suivantes :

1. Vérifier les conditions électriques requises et s'assurer que l'alimentation électrique est correcte et que la cuisinière est mise à la terre correctement.
2. Avant que la cuisinière ne soit branchée, branchez l'alimentation principale.
3. Vérifier l'arrivée de courant aux câbles de la boîte de jonction à l'aide d'un voltmètre ayant une plage de travail de 0-250 VAC.

**AVERTISSEMENT**

Laissez ces instructions d'INSTALLATION et le MANUEL D'UTILISATION ET D'ENTRETIEN au propriétaire.

TABELA DE CONTENIDO	PAGE
1 - Advertencias Especiales	2
Antes de comenzar la instalación	2
Instalación en Casas Móviles	2
2 - Dimensiones del Producto y de Encastre	3
3 - Información de instalación	8
4 - Instrucciones para la Instalación	9
5 - Conexiones Eléctricas	10
Informaciones generales	10
Circuito de conexión de 3 hilos	11
Circuito de conexión de 4 hilos	11
6 - Lista de verificación final	12

IMPORTANTE: Guarde estas instrucciones para el uso del inspector eléctrico local.

INSTALADOR: Por favor, deje este manual a propietario para futuras consultas.

PROPIETARIO: Por favor, conserve este manual para futuras consultas.

Preste la debida atención a los siguientes símbolos que encontrará en el manual:



PELIGRO

Si no sigue estas instrucciones de forma INMEDIATA, puede correr peligro de muerte o de resultar gravemente herido.



ADVERTENCIA

- Este es el símbolo de los avisos relacionados con la seguridad: alerta sobre potenciales peligros que pueden derivar en muerte o daños a las personas.
- Si no sigue estas instrucciones, puede correr peligro de muerte o de resultar gravemente herido.

LEA Y CONSERVE ESTAS INSTRUCCIONES.

Instalador:

Deje las instrucciones con el electrodoméstico.

Cliente:

Conserve las instrucciones como referencia futura.



ADVERTENCIA

- La inobservancia de las indicaciones recogidas en este manual puede derivar en muerte o en daños a las personas.
- No almacene ni utilice gasolina u otros vapores o líquidos inflamables cerca de este ni otro electrodoméstico.



INSTRUCCIONES IMPORTANTES



Por favor, lea todas las instrucciones antes de utilizar este aparato.

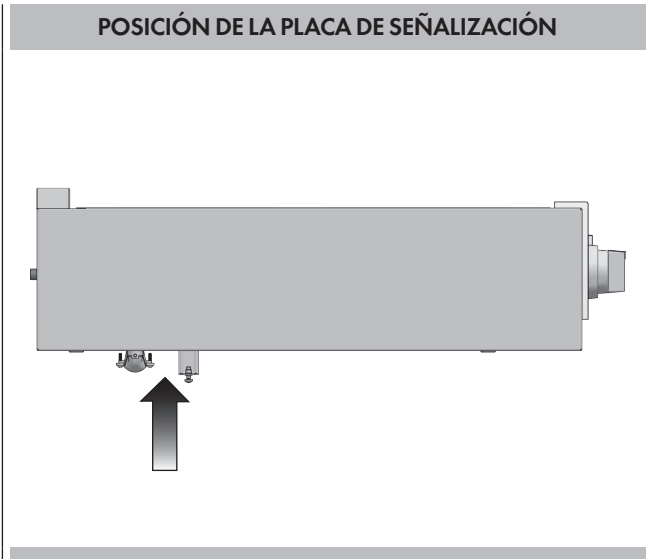
Efectuar una instalación adecuada es responsabilidad suya. Asegúrese de que el electrodoméstico es instalado por un técnico cualificado.



IMPORTANTE

- Cumpla todas las normativas y ordenanzas vigentes aplicables.
- Antes de instalar la cocina, comprobar el modelo y los números de serie. Los dos números se encuentran en la placa de datos en la posición indicada en la figura a continuación

POSICIÓN DE LA PLACA DE SEÑALIZACIÓN



Instalación en Casas Móviles

La instalación de esta placa de cocina debe cumplir con el título 24 CFR, Parte 3280 de las Normas de seguridad y construcción de viviendas prefabricadas o móviles estadounidenses (Manufactured Home Construction and Safety Standards, [anteriormente denominada Federal Standard for Mobile Home Construction and Safety (Norma federal para seguridad y construcción de casas prefabricadas), Title 24 HUD, Part 280]; o, en caso de que dicha norma no sea aplicable, deberá seguirse la pauta marcada por la Norma para instalaciones en casas prefabricadas estadounidense [(Standard for Manufactured Home Installations (Manufactured Home Sites, Communities and Setups), ANSI A225.1 (última edición) o bien, la normativa local existente referente a casas móviles.

En Canadá, la instalación de esta placa de cocción debe cumplir con las normativas actuales CAN/CSA-Z240 (última edición) o con las normativas locales.

Antes de comenzar la instalación

- Es necesario que el electrodoméstico se conecte a una toma de tierra.
Consulte la sección "Conexión eléctrica. Requisitos".
- Debe asegurarse de que la instalación es adecuada y conforme con el Código eléctrico americano (National Electrical Code), ANSI/NFPA 70 (última edición**) o con el Código eléctrico canadiense (Canadian Electrical Code), C 22.1 – 1982 y C22.2 N° 01982 (o la última edición)*** y con todos los códigos y ordenanzas locales.
- Debe asegurarse de que la conexión de gas está conforme con los códigos y ordenanzas locales.

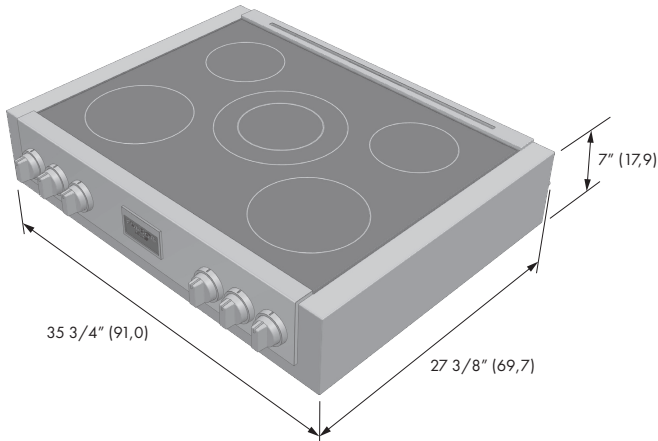
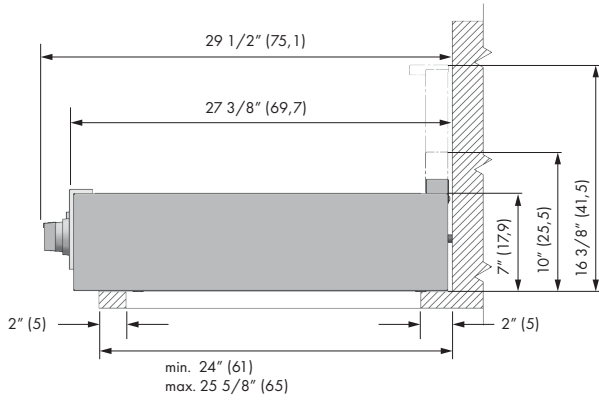
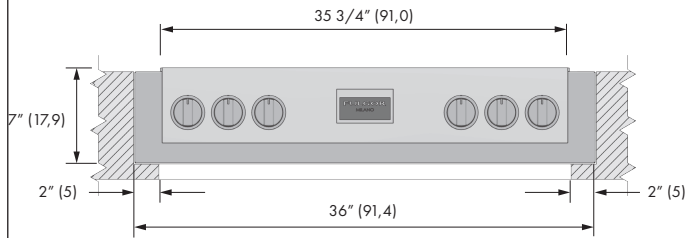
Puede obtener copias de las normas citadas en:

** National Fire Protection Association One Batterymarch Park Quincy, Massachusetts 02269

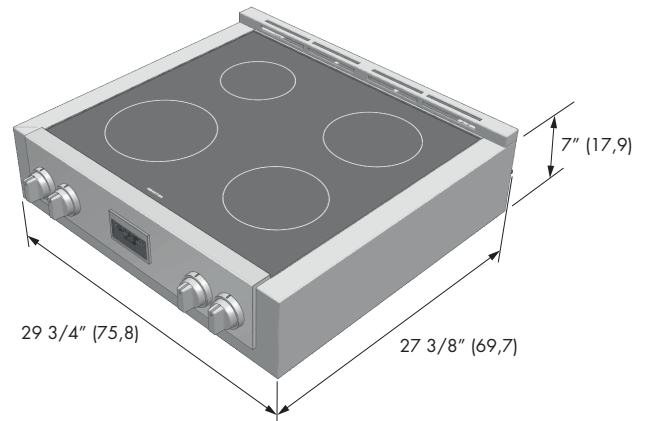
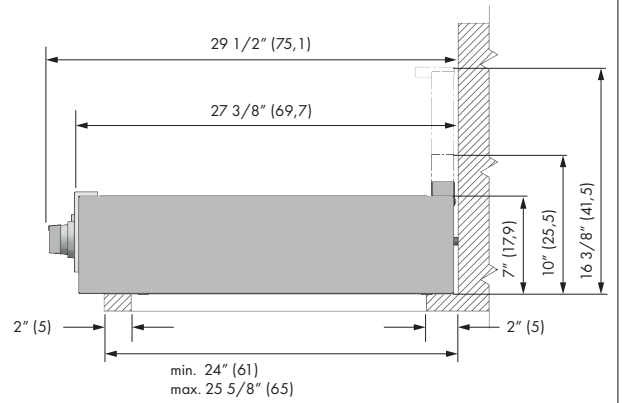
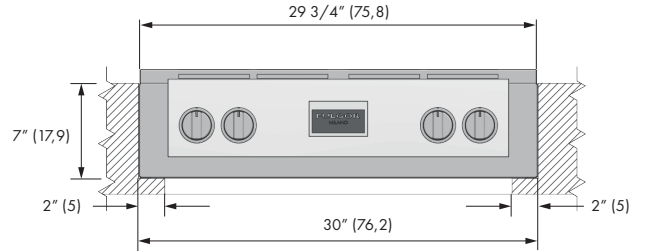
*** CSA International 8501 East Pleasant Valley Rd. Cleveland, OH 44131-5575

DIMENSIONES DU PRODUCTO

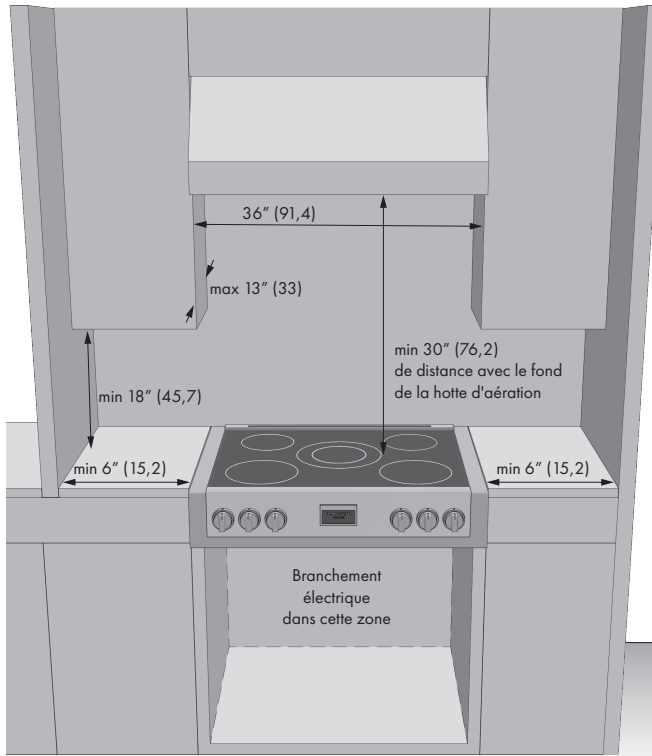
Modelos de estufa de 36" de ancho



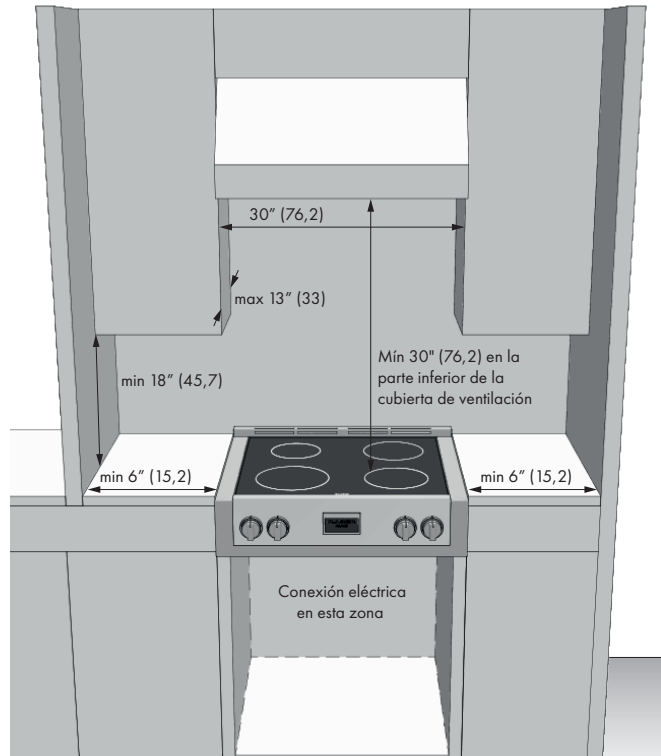
Modelos de estufa de 30" de ancho



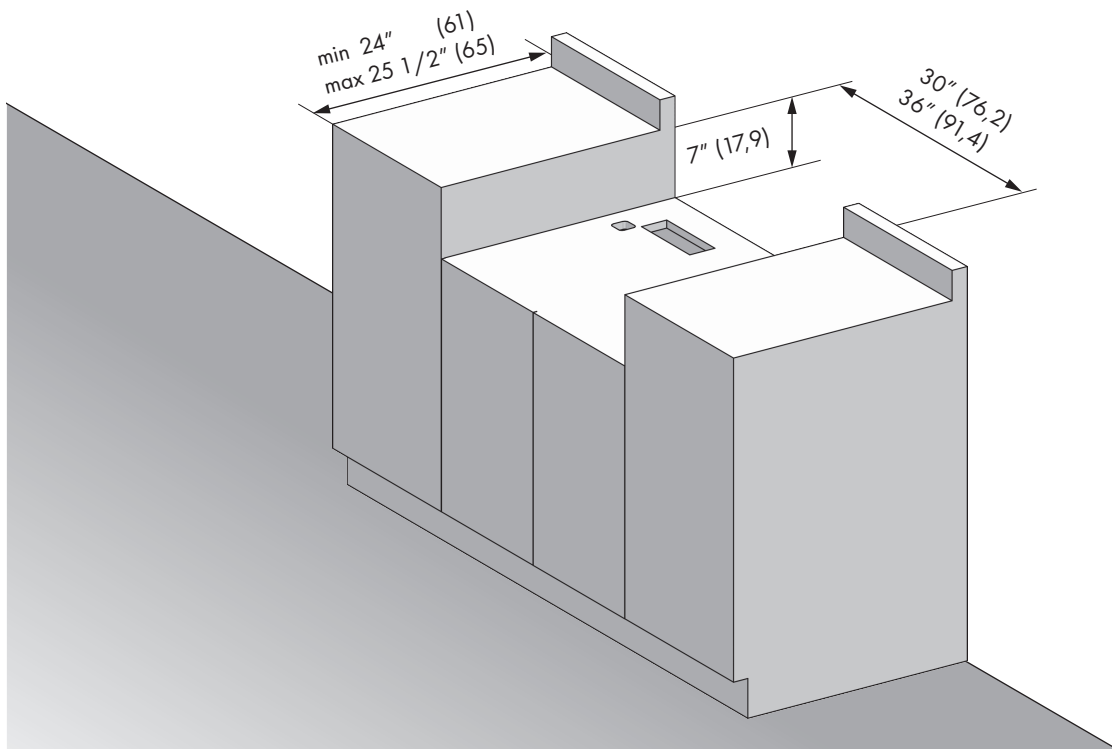
DIMENSIONES DE ENCASTRE 36"



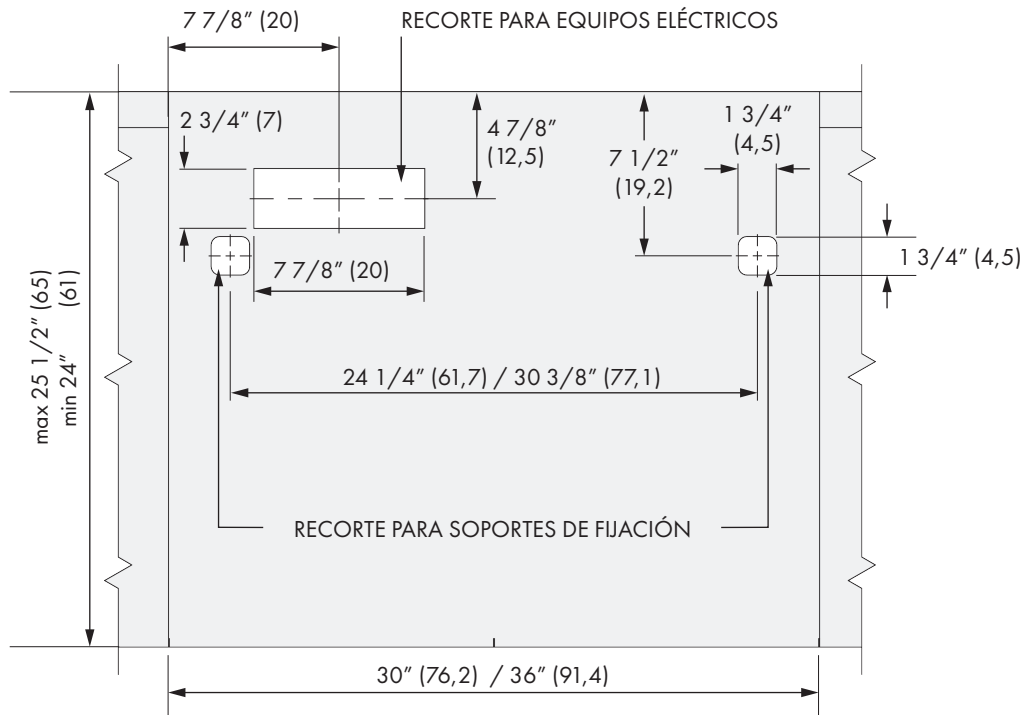
DIMENSIONES DE ENCASTRE 30"



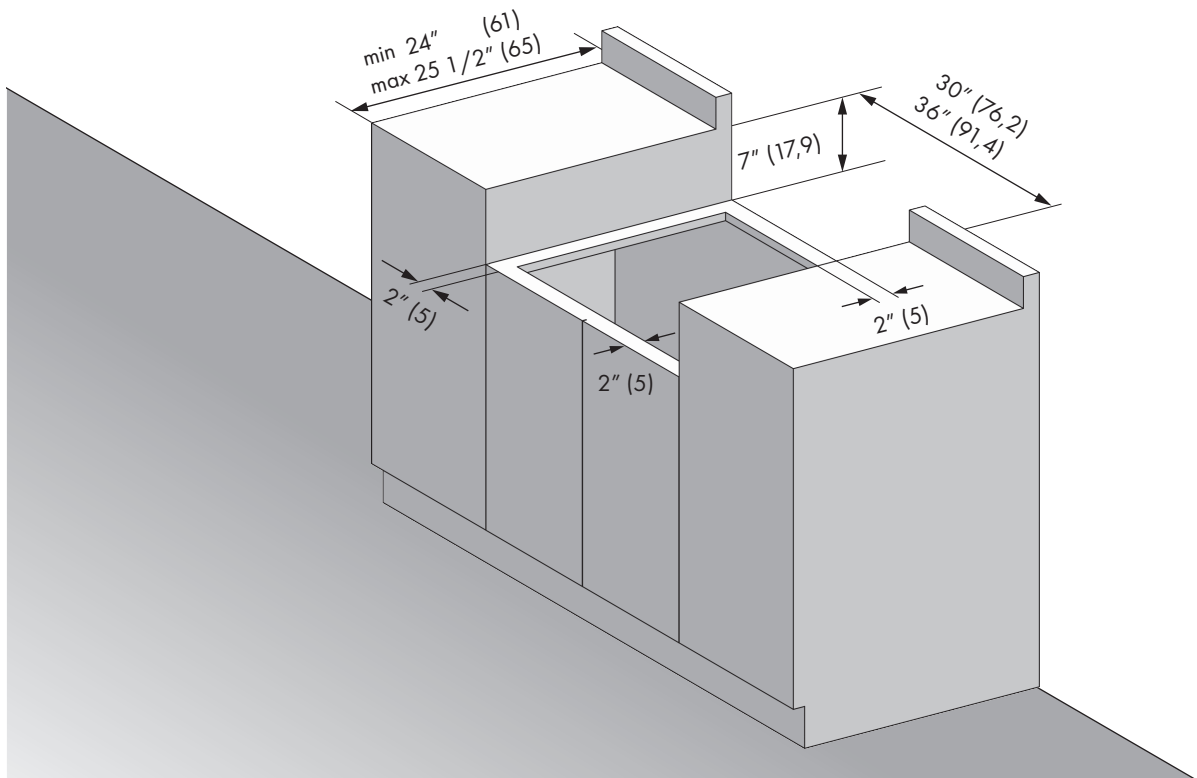
INSTALACIÓN CON HOJA SEPARADORA



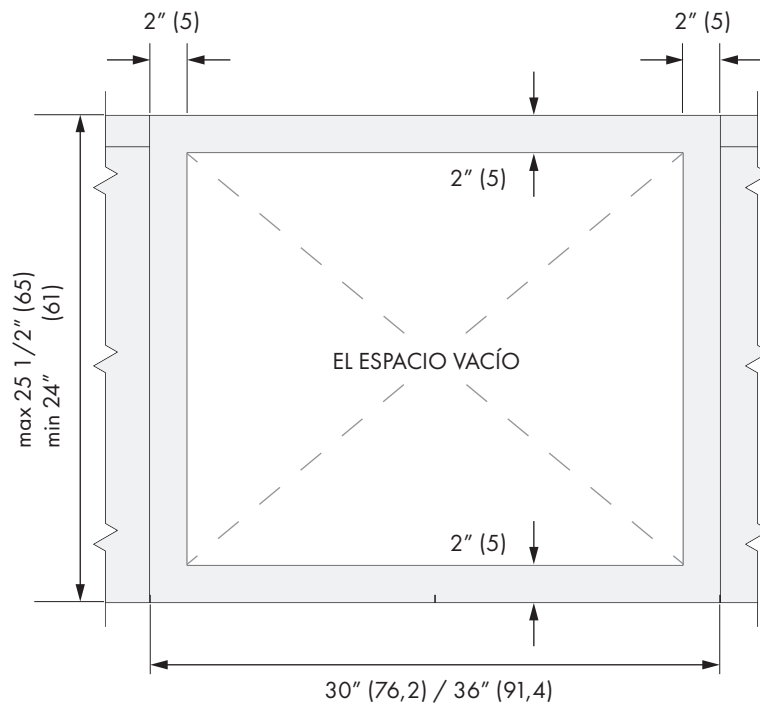
INSTALACIÓN CON HOJA SEPARADORA



INSTALACIÓN SIN HOJA SEPARADORA



INSTALACIÓN SIN HOJA SEPARADORA



DIMENSIONES DE ENCASTRE

La superficie de toda la pared trasera sobre la cocina y por debajo de la capucha debe cubrirse con un material no combustible.

*Consultar las normas locales para la exigencias exactas de colocación.

Nota: La distancia con relación a los materiales no combustibles debe respetar las normas locales o, en ausencia de las mismas, el « National Fuel Gas Code », ANSI Z223.1/NFPA 54.

ESPACIOS ADICIONALES:

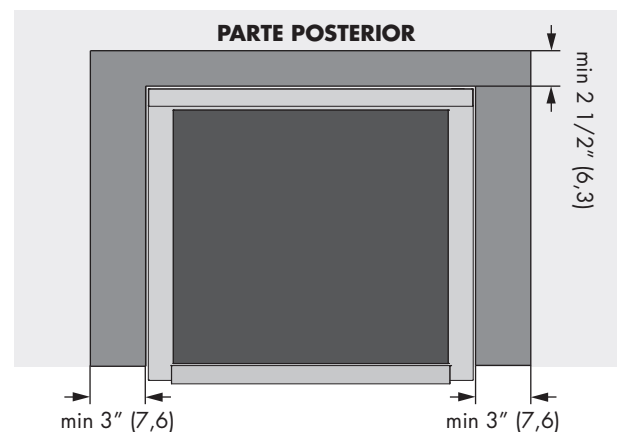
Para la instalación de la isla, deje un espacio mínimo de 2-1/2" entre la abertura y el extremo trasero de la mesada y un mínimo de 3" entre la abertura y los extremos laterales de la mesada (ver la vista superior).

Distancia mínima a construcciones:

Por arriba de la superficie de cocinar (más de 36" [91.4 cm])

- Lados - 3" (7.6 cm).
- Dentro del espacio lateral de 3" (7.6 cm), los gabinetes de la pared no más profundos de 13" (33.0 cm) deben estar a un mínimo de 18" (45.7 cm) por arriba de la superficie de cocinar.
- Los gabinetes de la pared que estén directamente por encima del producto deben estar a un mínimo de 30" (76.2 cm) por arriba de la superficie de cocinar.
- Parte posterior - 0" a la pared posterior de 3" (7.6 cm).

INSTALACIÓN AL RAS DEL CANTO DE LA ISLA



Combinaciones de capuchas de ventilación:

Se recomienda que estas estufa se instalen en conjunto con una adecuada capucha de ventilación aérea.

Instale una capucha de por lo menos 450 CFM (pies cúbicos por minuto).

Debido a la elevada capacidad de calor de esta unidad, debe prestarse especial atención a la instalación de la capucha y de la red de conductos para garantizar que cumpla con los códigos de construcción locales.



ADVERTENCIA

Distancias respecto de superficies horizontales sobre la estufa, medidas en relación a la superficie de cocción. No cumplir con esto puede provocar un peligro de incendio.

- Las instalaciones sin capucha requieren un mínimo de 30" (76 cm) respecto de elementos combustibles.
- Para otras instalaciones con una capucha, consulte las instrucciones de instalación de capuchas sobre espacios específicos para capuchas.



PRECAUCIÓN

Debido al peso y tamaño de la cocina y para reducir el riesgo de lesiones personales o daños al producto:

SE REQUIEREN DOS PERSONAS PARA UNA INSTALACIÓN.

⚠ ADVERTENCIA

• **Peligro por peso excesivo**

Dos personas o más tienen que desplazar e instalar la estufa.
De lo contrario podrían sufrir daños en la espalda u otros.

• **Peligro de corte**

Cuidado con las aristas cortantes. Al desplazar el producto, agarrarlo por los protectores de poliestireno.
De lo contrario podrían sufrir heridas leves o cortes.

NO obstruya el flujo de aire de combustión y de ventilación. Todas las aberturas en la pared detrás del aparato y en el piso bajo el aparato deben estar selladas.

ELECCIÓN DE LA POSICIÓN DE LA COCINA

Elija con atención la posición de la estufa.

La estufa se debe colocar en una posición que permita una utilización práctica, pero alejada de corrientes de aire fuertes. Una puerta o una ventana abiertas, el aire en movimiento por ventiladores de calefacción/refrigeración pueden originar fuertes corrientes de aire.

No taponar los flujos de aire en combustión a nivel de la apertura de ventilación del horno ni debajo de panel frontal inferior de la cocina. Evitar tocar las aperturas de ventilación o las superficies cercanas ya que estas superficies podrían calentarse mientras que el horno está funcionando.

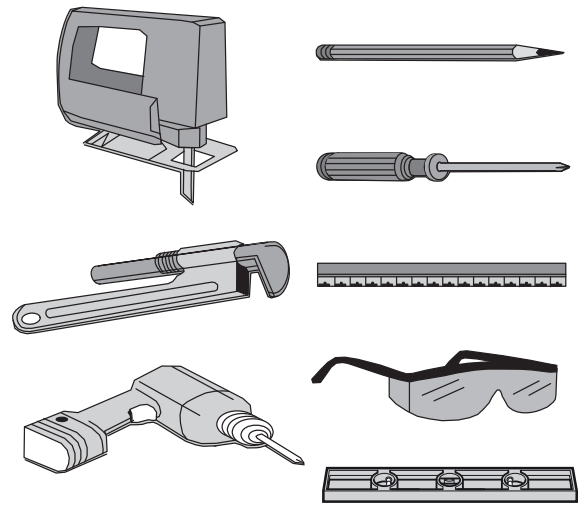
Es indispensable que haya un aire fresco para una buena combustión en el quemador.

⚠ NOTA IMPORTANTE

Si instala la estufa contra una superficie combustible, prevea un mínimo de realce. Respete todas las distancias con relación a las superficies combustibles indicadas en las páginas anteriores.

Si tiene un armario encima de la cocina, puede reducir el riesgo instalando a una cierta distancia por debajo de la parte inferior del armario una pantalla de protección que recubra toda la superficie horizontal

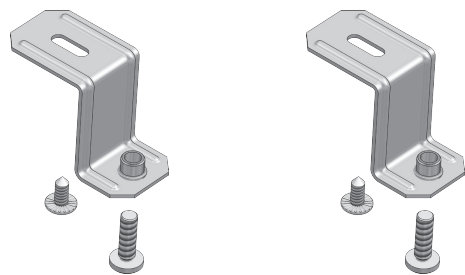
HERRAMIENTAS NECESARIAS



Retire el embalaje y separe los manuales de instrucciones antes de comenzar la instalación.

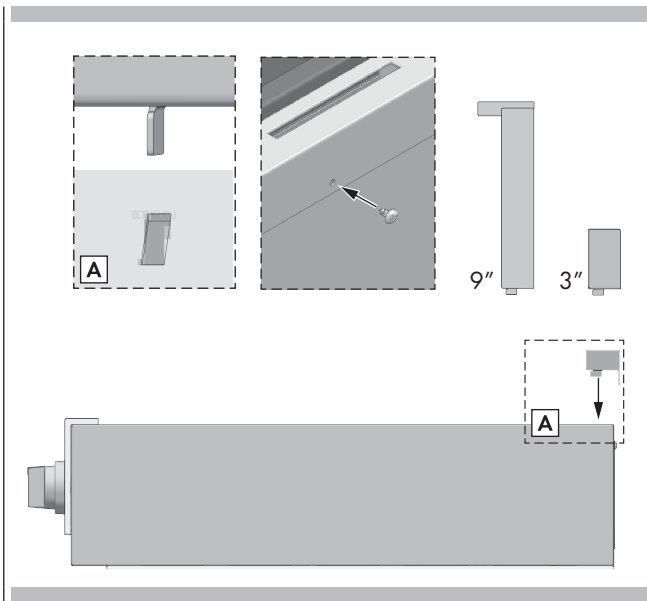
Lea atentamente los manuales de instalación antes de comenzar.

MATERIALES PROVISTOS



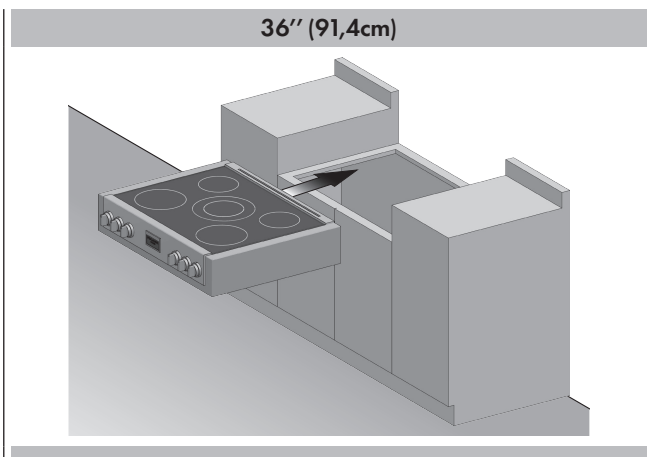
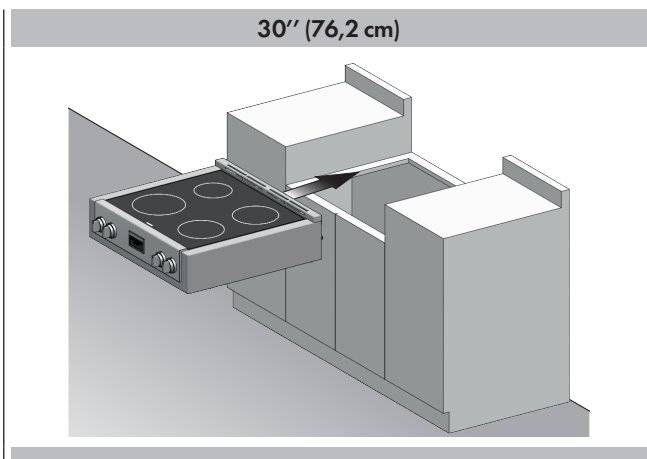
PASO 1

Instalar la parte dorsal (si se entrega) por medio de tres tornillos en la parte trasera y el pinto.



PASO 2

Deslice la cubierta superior en su lugar.

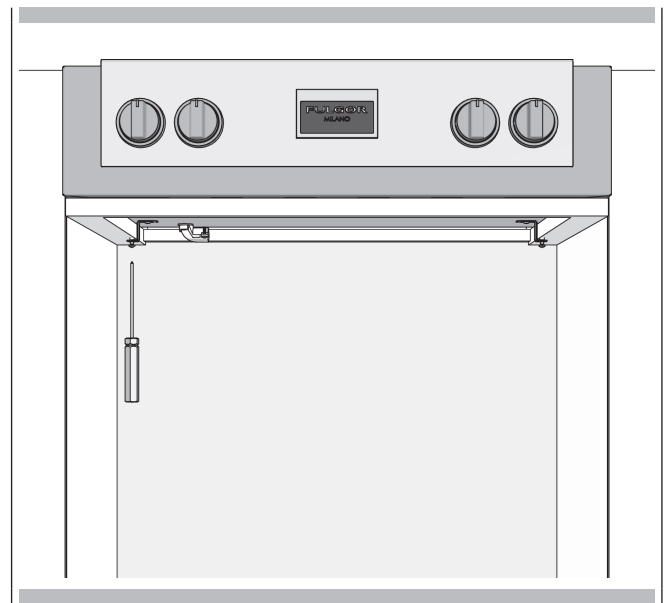


PASO 3

En el embalaje del producto han sido incluidas cuatro grapas de fijación. Una vez haya instalado la placa de cocción en la encimera, instale las grapas en la placa tal y como se indica en la figura.

- paso A** coloque los tornillos de fijación en las grapas.
- paso B** una vez haya colocado los tornillos en los puntos indicados de la carcasa de los quemadores, ajústelos. Apriete los tornillos lo suficiente para mantener las grapas fijadas.
- paso C** coloque las grapas de forma que estén en contacto con la base de la encimera.
- paso D** apriete los tornillos de fijación hasta que estén bien asegurados.
- paso E** compruebe que el borde delantero de la placa de cocción esté paralelo al borde delantero de la encimera y apriete el tornillo de fijación contra la encimera.

NO APRIETE DEMASIADO LOS TORNILLOS



PELIGRO

Desconecte la electricidad antes de instalar el producto. Si no lo hace, podría correr peligro de muerte o de sufrir una descarga eléctrica.

Informaciones generales

ADVERTENCIA

Los modelos se pueden accionar en 240V o 208V.

Esta placa de cocción no requiere conexión del neutro. Si va a colocar la placa en un armario, asegúrese de que en él hay una abertura para pasar el cable de alimentación. Efectúe la conexión eléctrica siguiendo los pasos adecuados para su instalación.

La placa debe estar conectada al voltaje y la frecuencia adecuados, tal y como se indica a la derecha.



Utilice únicamente cableado de cobre

Si su vivienda tiene cableado de aluminio, siga este procedimiento:

1. Conecte el cable de aluminio al cable de cobre utilizando los conectores específicos diseñados y garantizados por Underwriters Laboratories (UL) para conectar cobre y aluminio. Siga el procedimiento recomendado por el fabricante del conector eléctrico.
2. La conexión aluminio-cobre debe estar conforme con los códigos locales y con las prácticas industriales aprobadas.

El conducto flexible (suministrado con el producto) de 100 cm de longitud que se encuentra en la parte trasera derecha de la caja de la placa, debe conectarse directamente a la caja de empalme. No corte el conducto.

Debe conectar un conector aprobado por UL o CSA en cada extremo del cable de alimentación (en la placa y la caja de empalme). Es recomendable instalar también un fusible de acción retardada o un diferencial.

No utilice como toma de tierra una tubería de gas. No conecte la toma de tierra o el circuito neutro cerca de un fusible. Instale fusibles en las dos líneas (fases) de alimentación.

ADVERTENCIA

Una conexión inadecuada del cableado de aluminio al cableado de cobre puede provocar graves problemas.

Modelo	Alimentación			
	240 V 60 Hz		208 V 60 Hz	
30"	7.20 kW	30 A	6.45 kW	31 A
36"	10.80 kW	45 A	9.80 kW	47 A

National Fire Protection Association Batter/march Park Quincy, Massachusetts 02269

Debe instalarse un sistema eléctrico de tres cables, una fase, 240 voltios y 60 ciclos, debidamente protegido conforme al código local de la NFPA n.º 70. La unidad debe conectarse adecuadamente a una toma de tierra de acuerdo con los códigos locales. La tabla que encontrará a continuación recoge las recomendaciones mínimas de protección del circuito y el calibre del cableado si el electrodoméstico es la única unidad del circuito. Si utiliza un calibre de cableado menor, la eficiencia de la unidad se vería reducida y podría provocar un riesgo de incendio.

Es recomendable que la conexión del cableado y del electrodoméstico sean efectuadas por un electricista cualificado.

Mínimos recomendados		
Potencia (kW) placa de serie	Protección del circuito en ampere	Calibre del cable (AWG)
0 - 4.8	20	12
4.9 - 6.9	30	10
7.0 - 9.9	40	8
10.0 - 11.9	50	8
12.0 - 14.9	60	6

Asegúrese de que un técnico cualificado instale y conecte a tierra correctamente su aparato.

Consulte con su vendedor para que le recomiende un técnico cualificado o un servicio de mantenimiento autorizado. Esta placa de cocción no requiere conexión del neutro.

Si va a colocar la placa en un armario, asegúrese de que en él hay una abertura para pasar el cable de alimentación.

Efectúe la conexión eléctrica siguiendo los pasos adecuados para su instalación.

Este aparato está fabricado con un hilo verde de tierra conectado al bastidor de la placa de cocción.

Después de haberse asegurado de que la corriente está desconectada, conecte el conducto flexible desde la placa de cocción hasta la caja de empalme usando un conector de conducto que figure en la lista U L. Las figuras 13 y 14 que aparecen debajo muestran las maneras más comunes para conectar la placa de cocción.

Las disposiciones y las normas locales de su zona, por su puesto, tienen precedencia con respecto a estas instrucciones. Complete las conexiones eléctricas en conformidad con las normas y disposiciones locales.

⚠ PELIGRO

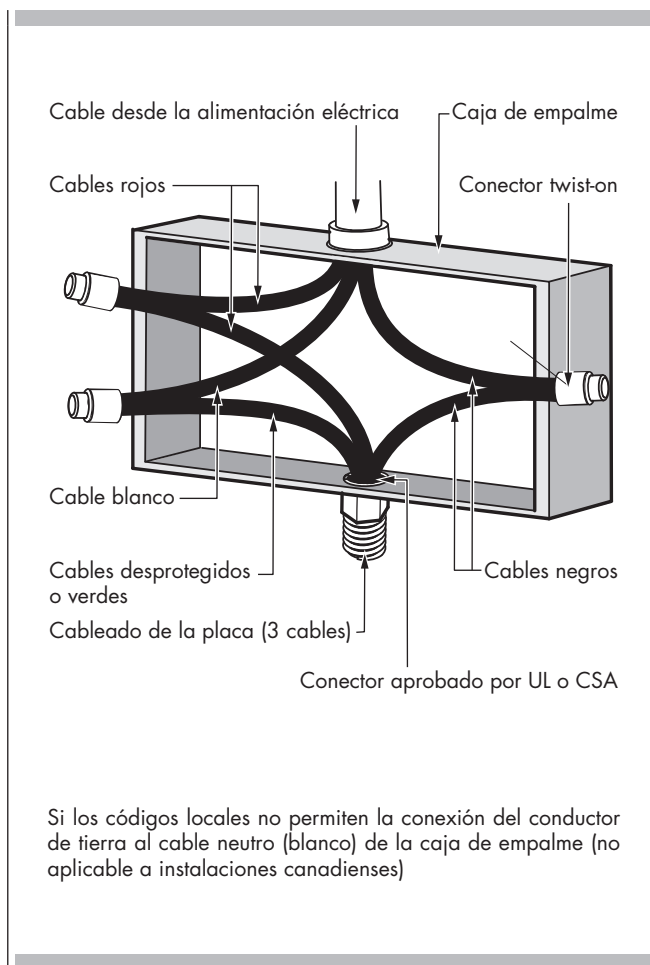
Riesgo de electrocución, marco conectado a tierra al neutro del aparato por medio de un enlace.

La puesta a tierra por medio de un conductor neutro está prohibida para las instalaciones de nuevos circuitos de conexión (1996 NEC); casas móviles, vehículos recreativos, o en áreas en donde las normas locales prohíben la conexión a tierra mediante un conductor de neutro.

Circuito de conexión de 3 hilos

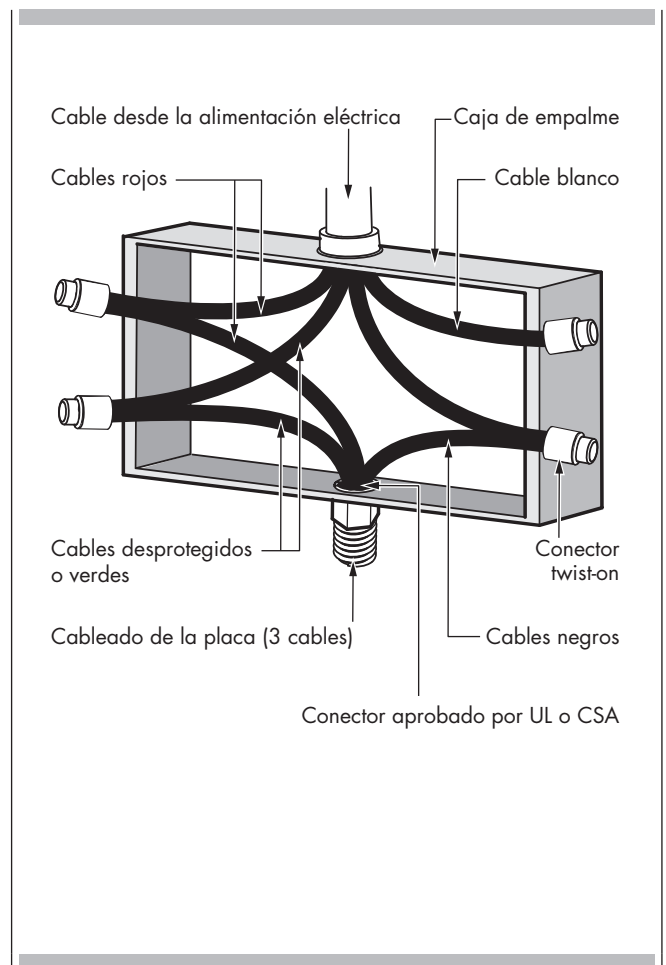
Tome como referencia la figura 13, en la que las normas locales permiten conectar el hilo de toma de tierra desde la placa de cocción hasta el hilo de neutro del circuito (hilos de color gris o blanco):

1. Si las normas locales lo permiten, conecte el cable verde de tierra desde la placa de cocción y el cable de neutro del circuito de conexión (hilos de color gris o blanco).
2. Conecte los conductores rojo y negro desde la placa de cocción hasta los conductores correspondientes en la caja de empalme.



Circuito de conexión de 4 hilos

1. Conecte el cable verde de tierra desde la placa de cocción al cable de tierra en la caja de empalme (cable de color carne o verde).
2. Conecte los conectores rojo y negro desde el placa de cocción hasta los conectores correspondientes en la caja de empalme.
3. Conecte y aisle el cable neutro (gris o blanco) a la caja de empalme.



Para evitar errores de empalme que pueden originar el deterioro de los componentes eléctricos y la pérdida de efecto de la garantía, seguir las indicaciones:

1. Comprobar los requisitos eléctricos y asegurarse de que la alimentación eléctrica es correcta y la cocina puesta a tierra correctamente.
2. Antes de conectar la estufa, conecte la alimentación eléctrica.
3. Comprobar la llegada de corriente a los cables de la caja de conexión con un voltímetro 0-250 VAC.



IMPORTANT

Dejar estas instrucciones de **INSTALACIÓN** y el **MANUAL DE USO Y MANTENIMIENTO** al propietario.

FULGOR MILANO
