

# FULGOR

MILANO

# SO FIA

ENDLESS PASSION FOR COOKING

**PRO-RANGE 30" - 36" - 48" DUAL FUEL**



INSTALLATION INSTRUCTIONS

INSTRUCTIONS D'INSTALLATION

INSTRUCCIONES PARA LA INSTALACIÓN



*Dear Customer,*

*Thank you for purchasing a Fulgor Milano product. Fulgor Milano is committed to excellence and our signature technologies provide you with professional tools for your kitchen. One of our central philosophies is continuous investment in research that is rooted in developing life enhancing technology. Our goal is to deliver products that are worthy of your family recipes and that will breathe life into your kitchen, the heart of your home. We invite you to enjoy your new Fulgor Milano product with same amount of care and attention that we have put into creating it.*

*Your Life | Our Passion*

*Gianni Nencofetti*





| TABLE OF CONTENTS  | PAGE      |
|--|-----------|
| <b>1 - Special Warnings</b>  | <b>2</b>  |
| Before Starting Installation   | 2         |
| Mobile Home Installation   | 2         |
| Recreational Park Trailers   | 2         |
| <b>2 - Product Dimensions and Cutout Requirements</b>                            | <b>3</b>  |
| Anti-Tip Bracket Installation  | 5         |
| <b>3 - Installation Information</b>  | <b>6</b>  |
| <b>4 - Installation Instructions</b>   | <b>7</b>  |
| <b>5 - Gas Requirement</b>   | <b>10</b> |
| Pressure Testing   | 11        |
| Pressure Test Method   | 11        |
| Gas Connection   | 12        |
| <b>6 - Conversion for LP or NG Gas</b>   | <b>13</b> |
| Converting Appliance for Use with LP Gas   | 13        |
| Replace Injectors (two ring flame burner)  | 13        |
| Replace Injector (griddle)   | 13        |
| Converting Appliances for Use with NG Gas  | 14        |
| Pressure Regulator Conversion  | 14        |
| Injectors Position   | 15        |
| Low Flame Adjustment   | 17        |
| Adjustment for Burners with One or Two Rings                                     | 17        |
| Electronic Burner Ignition   | 18        |
| The Burner Flames  | 18        |
| <b>7 Electrical supply</b>   | <b>19</b> |
| <b>8 Electrical connections</b>  | <b>20</b> |
| 4-wire connection  | 21        |
| 3-wire connection  | 21        |
| Direct Electrical Connection to the Circuit Breaker,<br>Fuse Box or Junction Box | 22        |
| <b>9 Final checklist</b>   | <b>23</b> |

Pay attention to these symbols present in this manual:



## DANGER

You can be killed or seriously injured if you don't IMMEDIATELY follow instructions.



## WARNING

This is the safety alert symbol. This symbol alerts you to potential hazards that can kill or hurt you and others. You can be killed or seriously injured if you don't follow these instructions.

### READ AND SAVE THESE INSTRUCTIONS.

#### To installer:

Leave these instructions with the appliance.

#### To customer:

Retain these instructions for future reference.



## WARNING

If the information in this manual is not followed exactly, a fire or explosion may resulting in product and property damage and / or personal injury or death.

Do not store or use gasoline or other flammable vapours and liquids in the vicinity of this or any other appliance.

**IMPORTANT:** Save these instructions for the local electrical inspector use.

**INSTALLER:** Please leave this manual with owner for future reference.

**OWNER:** Please keep this manual for future reference.

**GLOSSARY OF TERMS:** NG - Natural Gas  
LP - Liquid Propane



## IMPORTANT INSTRUCTION

Please read all instructions before using this appliance.



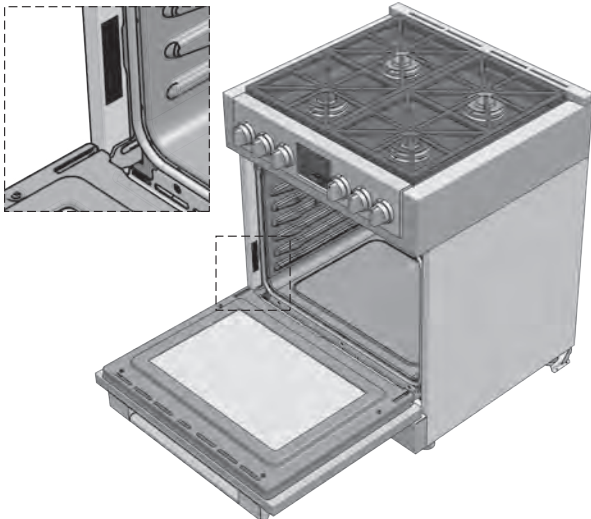
Proper installation is your responsibility. Have a qualified technician install this range.



### IMPORTANT

- Observe all governing codes and ordinances.
- Write down the model and serial numbers before installing the range. Both numbers are on the serial rating plate refer to the illustration below.

#### LOCATION OF RATING PLATE



### Before Starting Installation

- Check location where range will be installed. The location should be away from strong drafty areas, such as windows, doors and strong heating vents or fans.
- Electrical grounding is required. See "Electrical Requirements"
- Assure that electrical installation is adequate and in conformance with National Electrical Code, ANSI/NFPA 70 - latest edition\*\*, or Canadian Electrical Code, part 1 C22.1 (latest edition)\*\*\* and all local codes and ordinances.
- Assure that gas connection conforms with local codes and ordinances. In the absence of local codes, installations must conform with American National Standard, National Fuel Gas Code ANSI Z223/NFPA 54 - latest edition\*\* Canadian CAN/CGA\_B 149.1 or CAN/CGA-149.2 latest edition\*\*

Copies of the standards listed may be obtained from:

- \*\* National Fire Protection Association One Batterymarch Park Quincy, Massachusetts 02269
- \*\*\* CSA International 8501 East Pleasant Valley Rd. Cleveland, OH 44131-5575

**NOTE:** This range is manufactured for use with Natural gas or Propane.

To convert to LP (propane) or NG (natural gas), see instructions in the gas conversion kit provided in the literature package. Proper gas supply connection must be available. See gas supply requirements.



### WARNING

**Before connecting the appliance to the gas supply line, ensure that its gas setting is appropriate.**

**The type of gas adjusted and shipped from the factory is indicated on the rating plate.**

### Mobile Home Installation

The installation of this appliances must conform to the Manufactured Home Construction and Safety Standards, Title 24 CFR, Part 3280 (formerly the Federal Standard for Mobile Home Construction and Safety; Title 24 HUD part 280); or when such standard is not applicable, the Standard for Manufactured Home Installations (Manufactured Home Sites, Communities and Setups), ANSI A225.1 - latest edition, or with local codes.

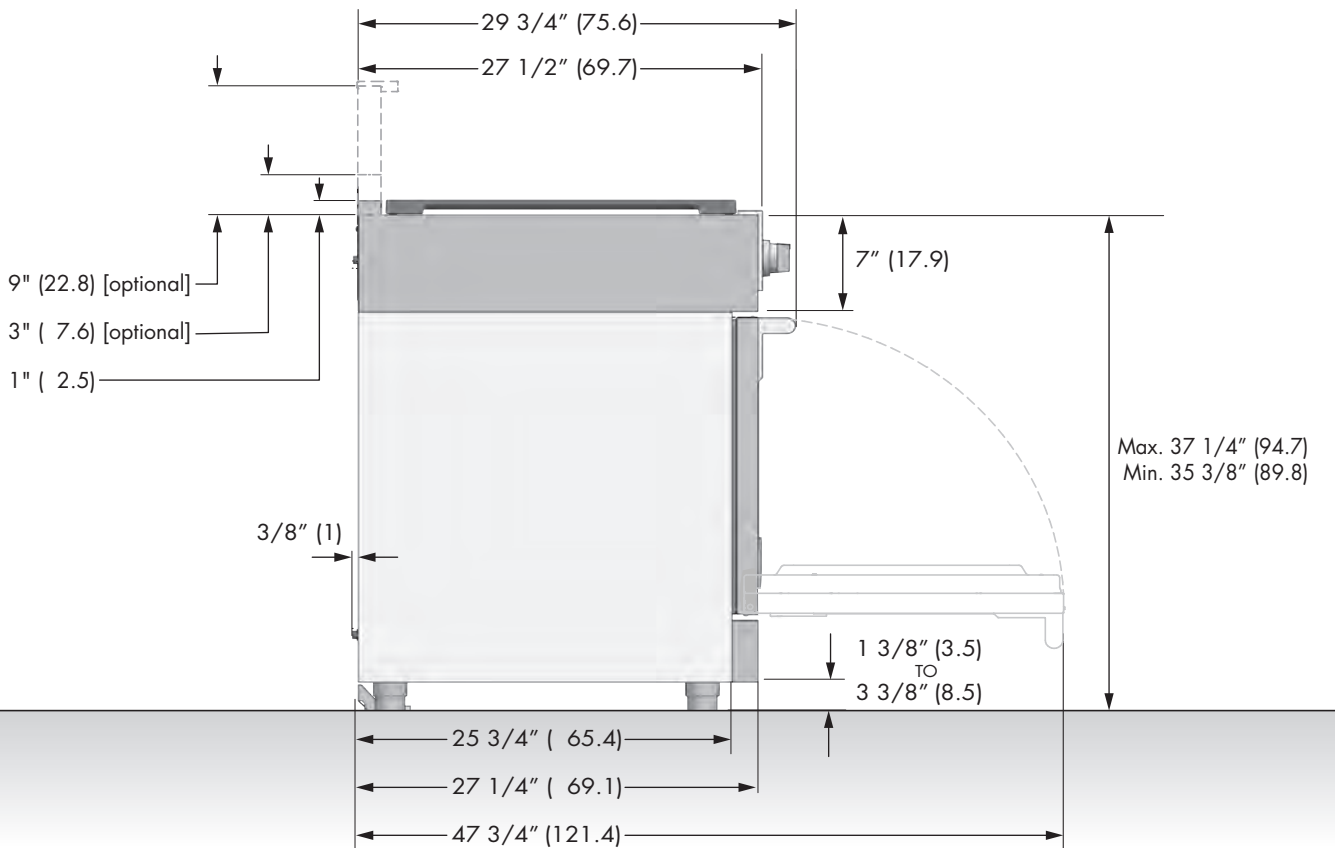
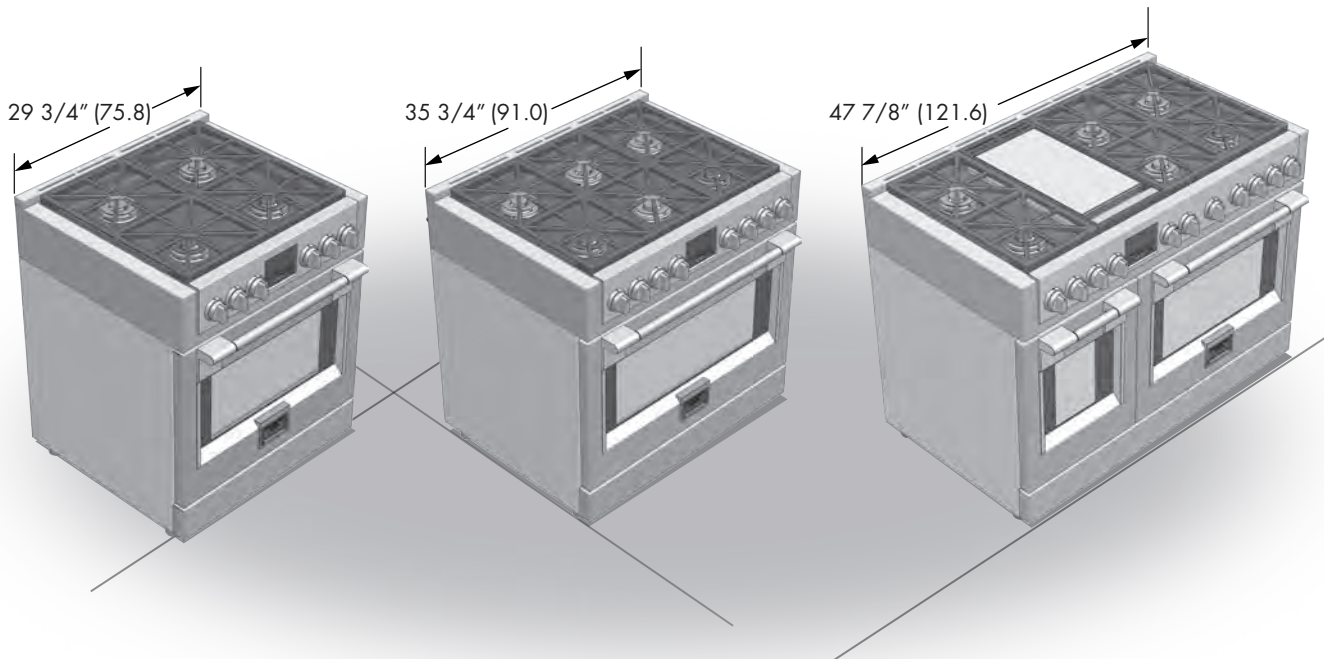
In Canada, the installation of this appliances must conform with the current standards CAN/CSA-Z240 - latest edition, or with local codes.

### Recreational Park Trailers

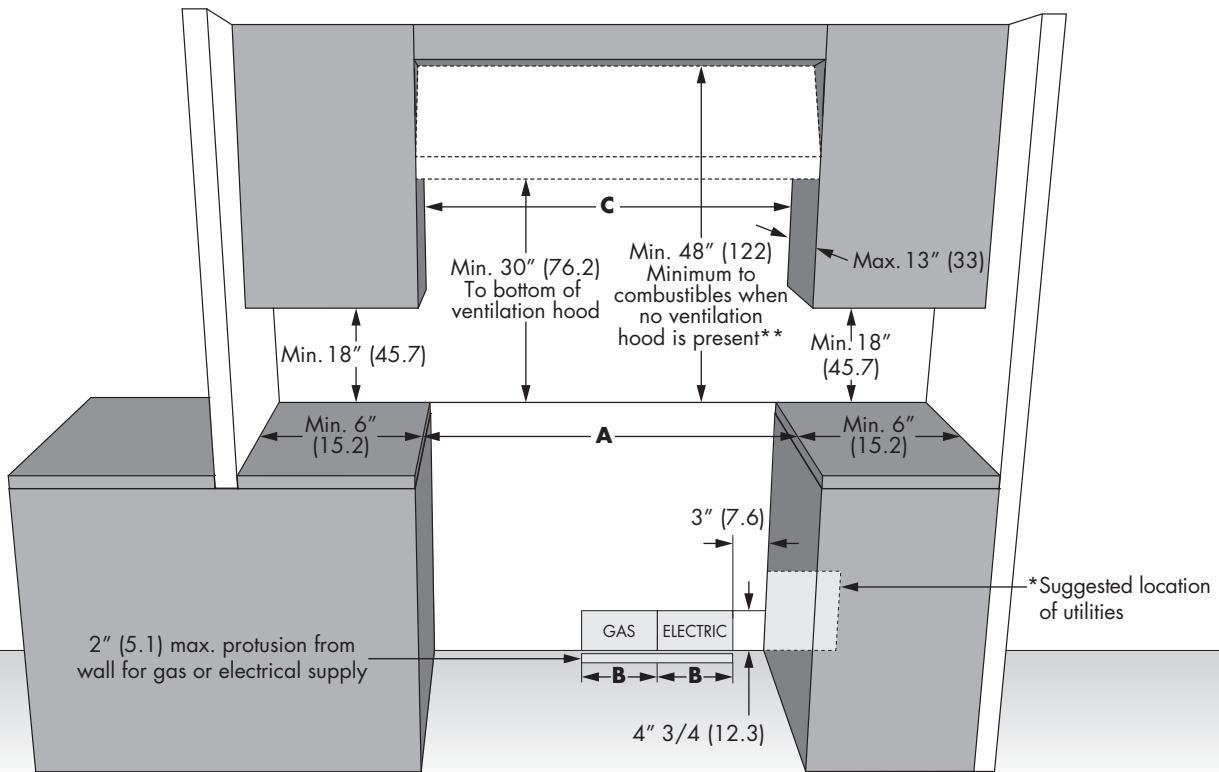
The installation of this appliances designed for Recreational Park Trailers must conform with state or other codes or, in the absence of such codes, with the Standard for Recreational Park Trailers, ANSI A119.5.

PRODUCT DIMENSIONS

WIDE RANGE MODELS



CUTOUT REQUIREMENTS



**\*\*NOTE:** Ensure your installation also complies with local and national building and fire codes. The surface of the entire back wall above the range and below the hood must be covered with a noncombustible material.  
 \*Consult local code for exact location requirements.

| OPENING WIDTH | A & C      | B         |
|---------------|------------|-----------|
| Range 30"     | 30" (76.2) | 6" (15.2) |
| Range 36"     | 36" (91.4) | 7" (17.8) |
| Range 48"     | 48" (122 ) | 7" (17.8) |

Note: Clearances from non-combustible materials are not part of the ANSI Z21.1 scope and not certified. Clearances to non-combustible materials must conform with local codes or, in the absence of local codes, with the National Fuel Gas Code, ANSI Z223.1/NFPA 54.

Minimum clearances:

Above cooking surface (above 36" [91.4 cm])

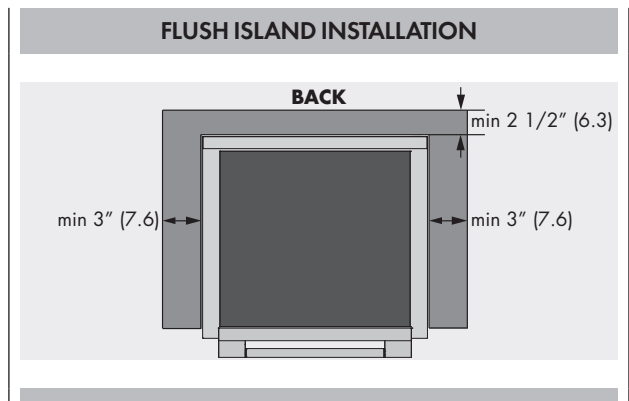
- Sides - 6" (15.2 cm)
- Within 6" (15.2 cm) side clearance, wall cabinets no deeper than 13" (33.0 cm) must be minimum 18" (45.7 cm) above cooking surface
- Wall cabinets directly above product must be a minimum of 48" (122 cm) above cooking surface.
- Rear - 0" with 9" backguard; 0" with non-combustible rear wall.

Below cooking surface (36" [91.4 cm] and below)

- Install with zero clearance between adjacent combustible construction below the cooking surface and the back and sides of the appliance.

**ADDITIONAL CLEARANCES:**

For island installation, maintain 2-1/2 in. minimum from cutout to back edge of countertop and 3 in. minimum from cutout to side edges of countertop (see top view). For installation in a stepped island, 12" (30.5 cm) minimum clearance is required from the back or sides of the range to a combustible riser. The island installation is not part of the ANSI Z21.1 scope and not certified.



Before moving the range, protect any finished flooring and secure oven door(s) closed to prevent damage.

### Vent hood Combinations:

It is recommended that these ranges be installed in conjunction with a suitable overhead vent hood.

Due to the high heat capacity of this unit, particular attention should be paid to the hood and ductwork installation to assure it meets local building codes.

A hood with suitable capture area and capable of at least 450 cfm is suggested to effectively evacuate odors, steam and heat. Choosing to install a hood of lower cfm or configured for recirculating may compromise the effectiveness of eliminating the aforementioned factors.

Note: some State / Provincial building codes will require make up air systems be installed for hoods above a certain cfm threshold (300 cfm is typical).

It is your responsibility to understand and comply with the local requirements for gas, electrical and ventilation where these appliances are being installed.

### WARNING

Air curtain or other overhead hoods, which operate by blowing a downward air flow on to a range, shall not be used in conjunction with ranges with gas cooktop other than when the hood and range have been designed, tested and certified by an independent test laboratory for use in combination with each other.

Clearances to horizontal surfaces above the range, measured to the cooking surface are below. Failure to comply may result in fire hazard.

- Installations without a hood require 48" (122) minimum to combustibles.
- A custom hood installation with exposed horizontal combustible surfaces must have an Auto-On feature.
- For other installations with a hood, refer to the hood installation instructions for specific hood clearances.

### CAUTION

These ranges weigh up to 530 pounds. Some disassembly will reduce the weight considerably. Due to the weight and size of the range and to reduce the risk of personal injury or damage to the product:

**TWO PEOPLE ARE REQUIRED FOR PROPER INSTALLATION.**

### Anti-Tip Bracket Installation

#### WARNING

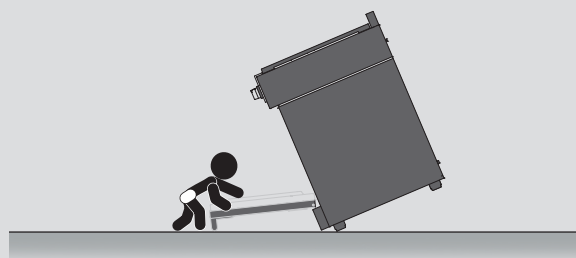
##### Tip Over Hazard

A child or adult can tip the range and be killed. Ensure the anti-tip bracket is engaged when the range is moved.

Do not operate range without anti-tip bracket installed and engaged.

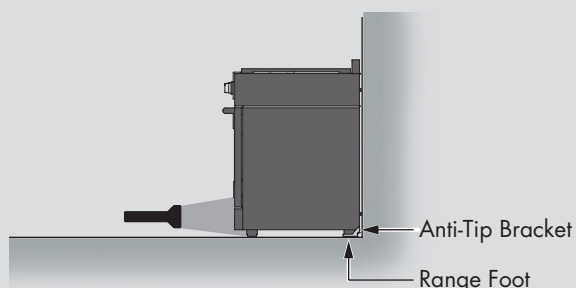
Failure to follow these instructions can result in death or serious burns to children and adults.

### WARNING

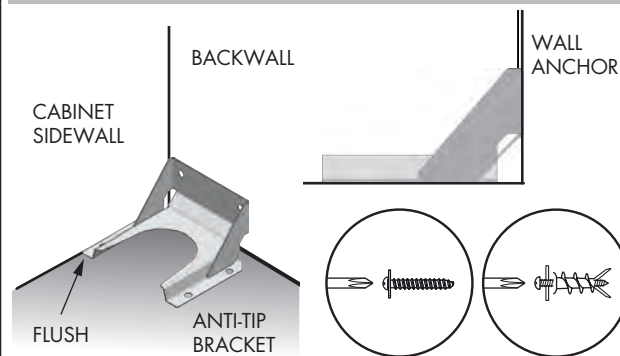


To verify the anti-tip bracket is installed and engaged:

- Slide range forward.
- Look for the anti-tip bracket securely attached to floor or wall.
- Slide range back so rear range foot is under anti-tip bracket.
- See installation instructions for details.



### ANTI-TIP BRACKET INSTALLATION



For Concrete or Cement Construction:  
You must use appropriate fastening hardware (not provided).  
Secure the bracket to the wall and/or floor with at least 4 wood screws (provided).



The anti-tip bracket should be inserted into the opening on the anti-tip brace on the range.

**WARNING**

**Excessive Weight Hazard**

Use two or more people to move and install range. Failure to do so can result in back or other injury.

**Cut Hazard**

Beware of sharp edges. Use the polystyrene ends when carrying the product. Failure to use caution could result in minor injury or cuts.

**Do not obstruct the flow of combustion air at the oven vent nor around the base or beneath the lower front panel of the range.** Avoid touching the vent openings or nearby surfaces as they may become hot while the oven is in operation. This range requires fresh air for proper burner combustion. NEVER cover any slots, holes or passages in the oven or cover an entire rack with aluminum foil. Doing so blocks air flow through the oven and may cause carbon monoxide poisoning. Aluminum foil linings may also trap heat, causing a fire hazard.

**CHOOSING RANGE LOCATION**

Carefully select the location where the range will be placed. The range should be located for convenient use in the kitchen, but away from strong drafts. Strong drafts may be caused by open doors or windows, or by heating and/or air conditioning vents or fans.

**IMPORTANT NOTE**

When installing against a combustibile surface, a minimum riser is required for a the range, Follow all minimum clearances to combustibile surfaces shown in the illustration on the previous pages.

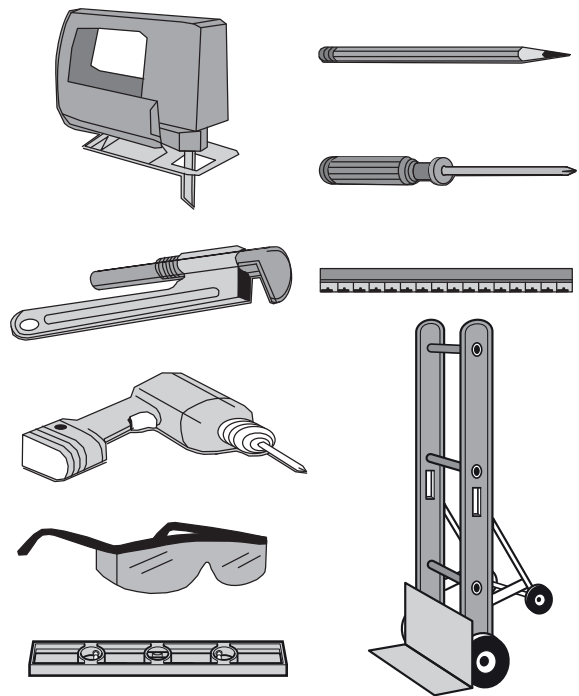
Before moving the range, protect any finished flooring and secure oven door(s) closed to prevent damage.

Do not lift or carry the range door by the door handle.

To eliminate the risk of burns or fire by reaching over heated surface units, cabinet storage space located above the surface units should be avoided. If cabinet storage is to be provided, the risk can be reduced by installing a range hood that projects horizontally a minimum of inches beyond the bottom of the cabinets.

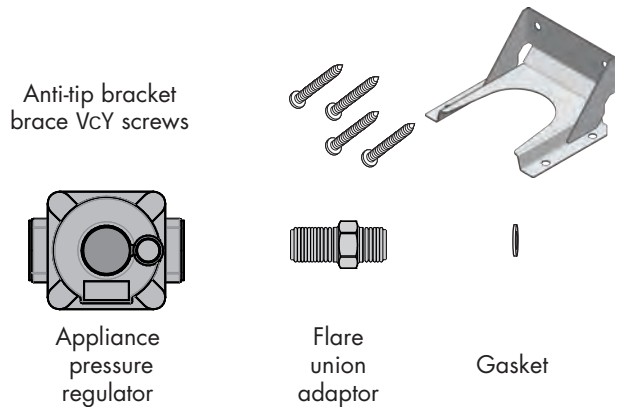
All openings in the wall or floor where the range is to be installed must be sealed.

**TOOLS WILL YOU NEED**

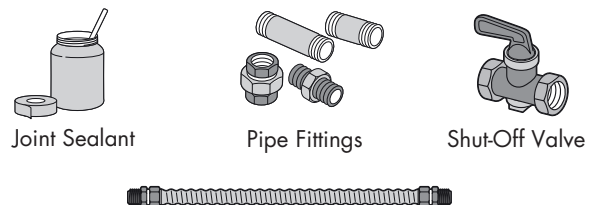


Remove packaging materials and literature package from the cooktop before beginning installation. Remove Installation Instructions from the literature pack and read them carefully before you begin

**MATERIALS PROVIDED**



**MATERIALS REQUIRED (not provided)**

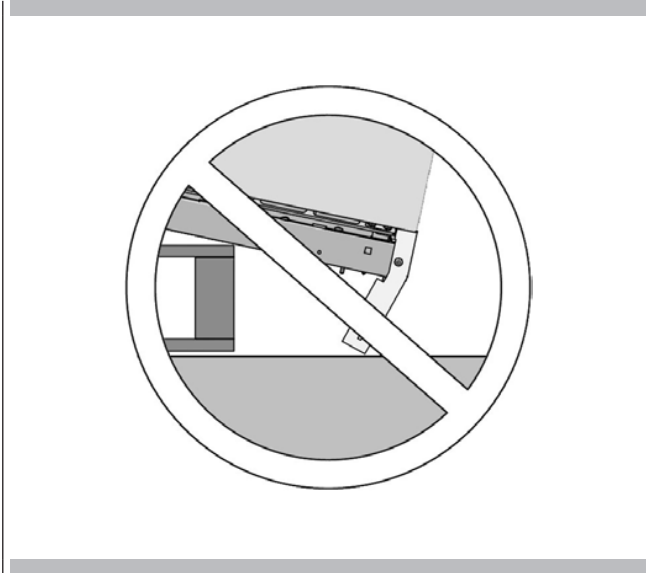


5-foot maximum length, 5/8" O.D. CSA-approved flexible metal gas supply (3-foot maximum length in Massachusetts only)

**NOTE:** Purchase new flexible line; do not use previously used flexible gas line.



Do not tip the range on its side when installing the legs. The sidewalls are not designed to bear the weight of the range and will bend. Any damage as a result of tipping will not be covered by warranty. Follow the method in the enclosed installation Manual.



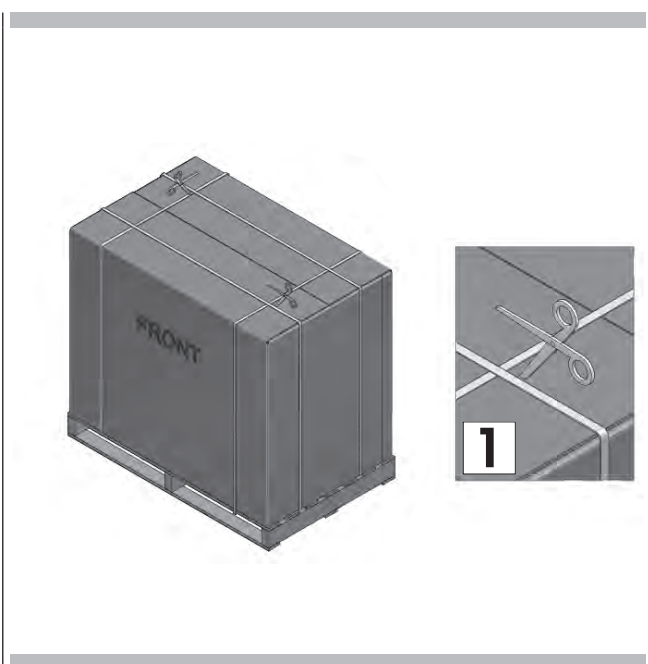
**STEP 1**

Cut the banding (1) and remove the Installation Instructions from the top of range and read them carefully before you begin.



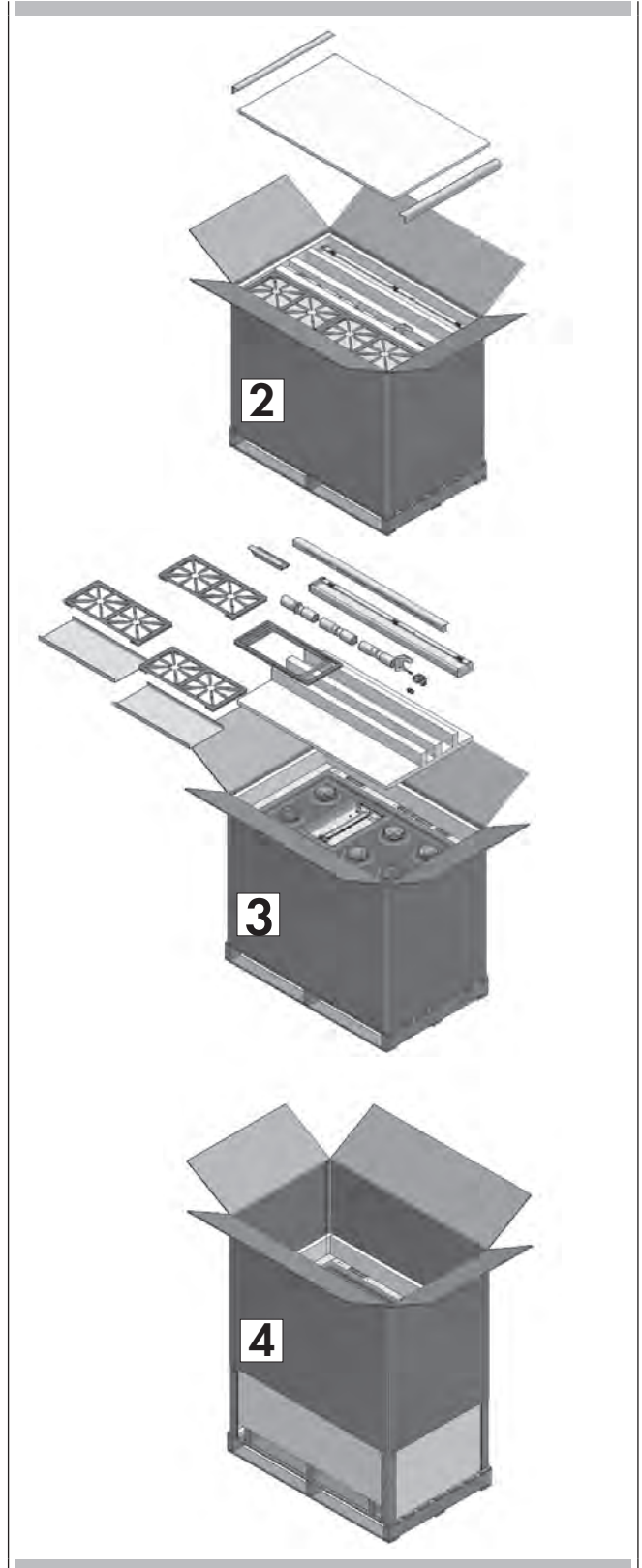
**CAUTION**

Stand clear. The ends of the cut banding may snap toward you.



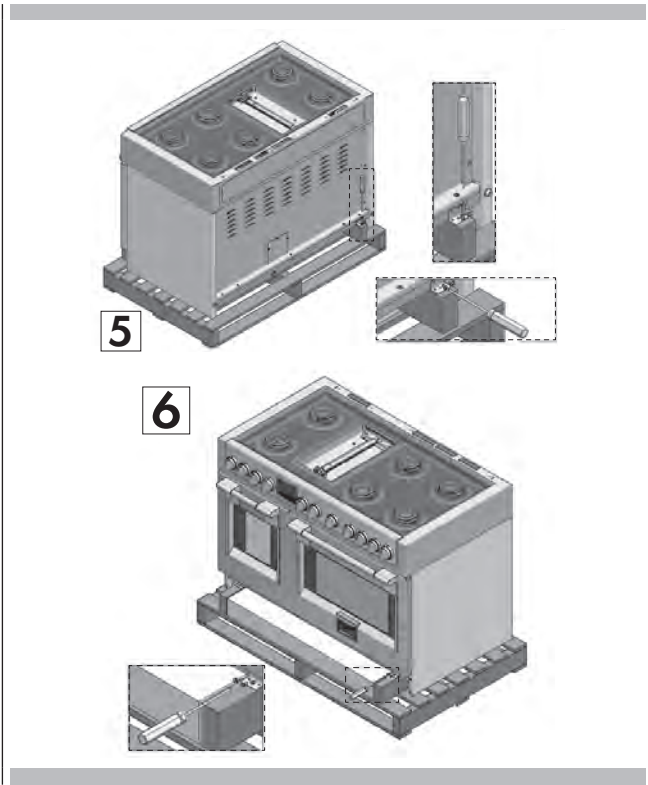
**STEP 2**

Open the top (2) and remove the accessories (3) then lift off the cardboard sheath (4).



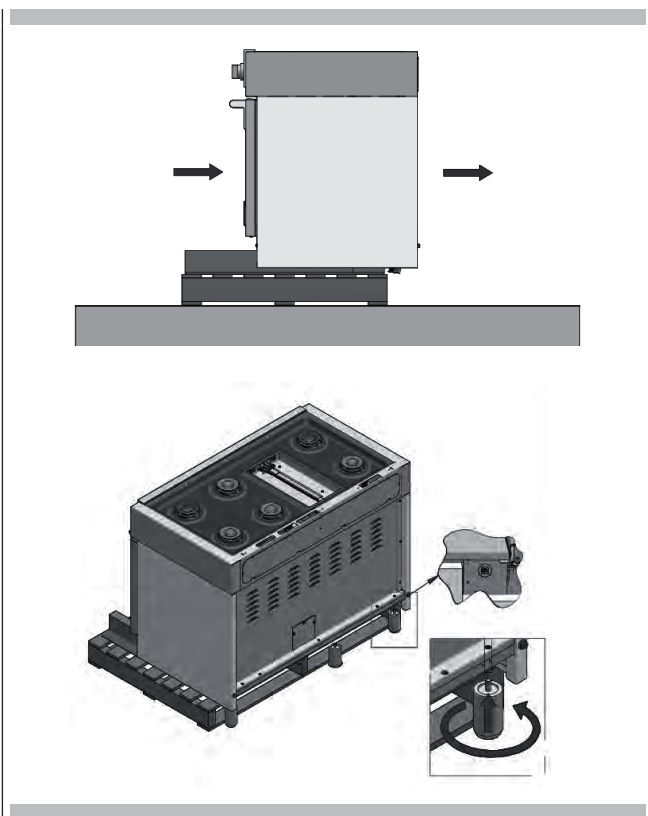
**STEP 3 (For 48" range only)**

Remove the rear wood brace (5) and the front metal securing brackets (6).



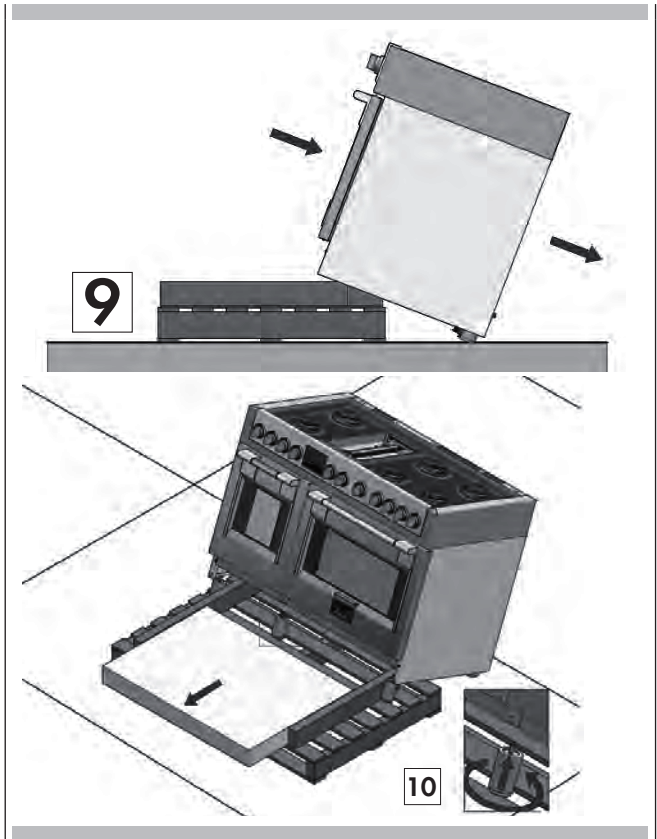
**STEP 4**

Slide the range back just enough to allow the rear feet to be installed.



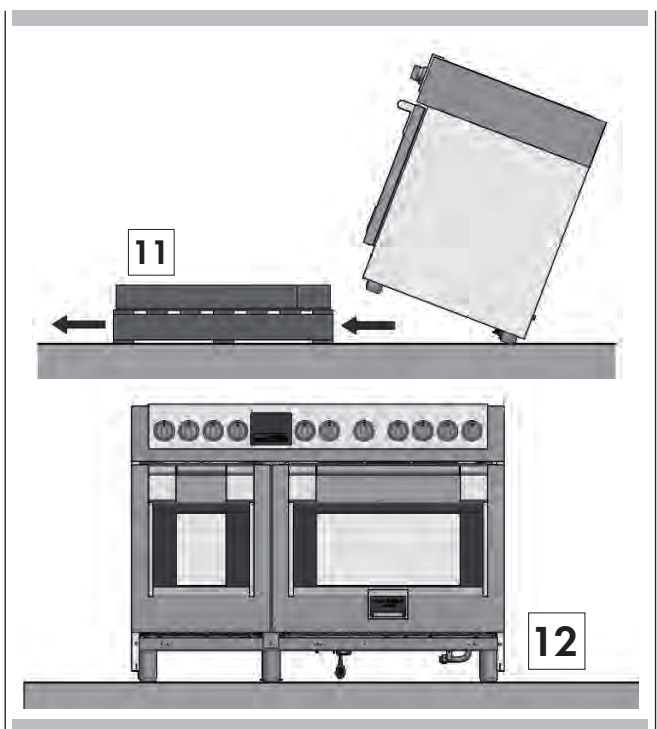
**STEP 5**

Slide back more and tilt back (9), putting the rear legs on the floor and then mount the front legs (10) while in this angled position supported by the rear legs and the skid.



**STEP 6**

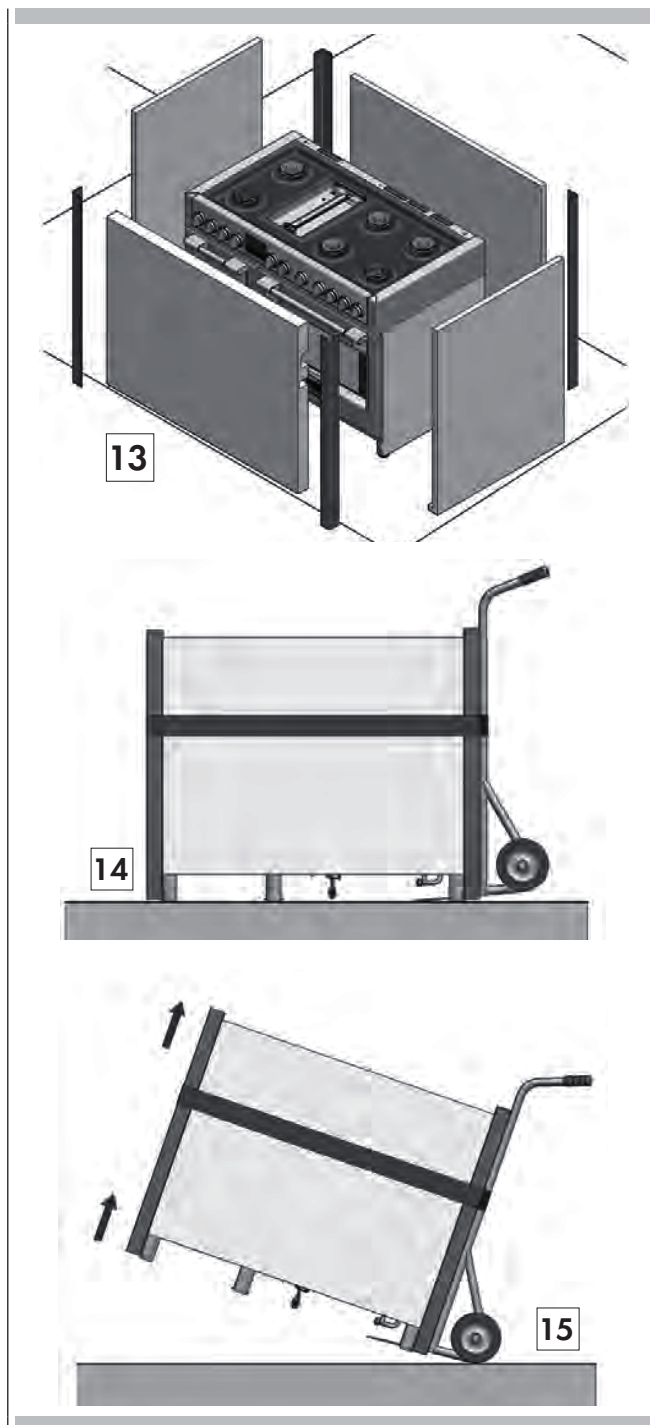
Remove the base while supporting the front of the range (11) and lower to the floor in a controlled manner (12).





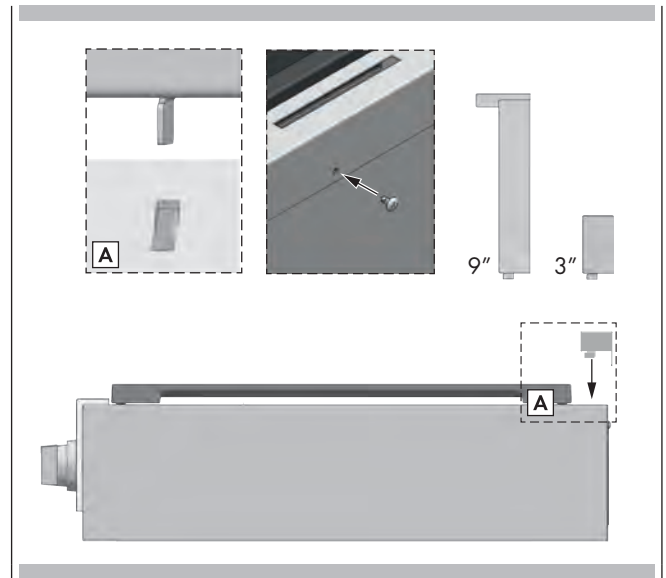
**STEP 7**

In case it is necessary to move the range; using the foam and/or cardboard packaging (13), replace them around the range strategically to protect the finished surfaces of the range from contact with the hand-truck and any straps around the unit (14). In the case of smaller ranges, you may use this technique to remove the range from the skid and installing the legs (15). Tilt the range to lower the hand-truck wheels off the skid. Place appliance runners on the floor at the left and right sides in front of the opening when moving into final position to protect flooring. The oven door(s) add(s) a great deal to the overall weight of the range, you may find it helpful to remove the doors if moving the range a significant distance. Refer to the included instruction manuals for how to remove and reinstall the doors.



**STEP 8**

Install the back guard (if provided) by the three screws on the back. In some cases this may be an accessory back guard that was ordered separately rather than the one which was included with the range. Refer to instructions included with any accessory for specific installation requirements.



**STEP 9**

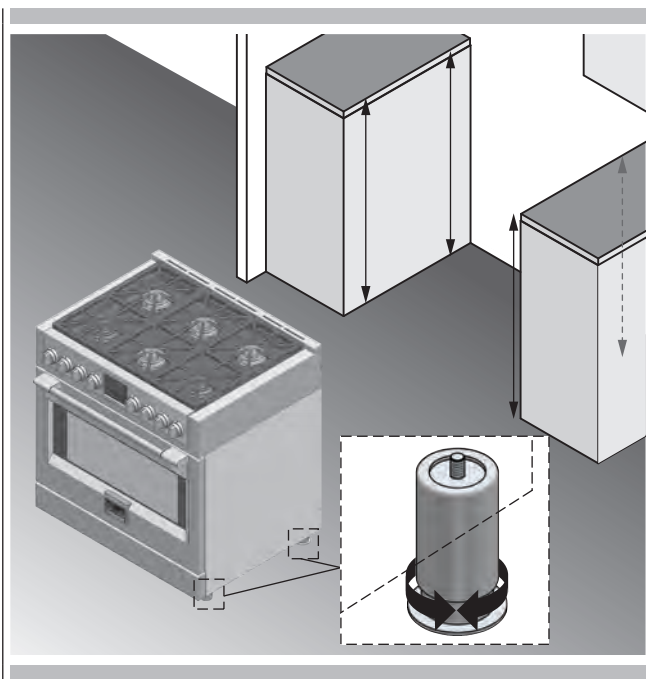
After completing the electrical and gas connections (see included instructions) measure the four corners in cutout area to verify if flooring is level. Adjust the leveling legs to the desired height and ensure range is level. Turn the bottom section of each leg counter-clockwise to raise the leg and clockwise to lower it.



**IMPORTANT**

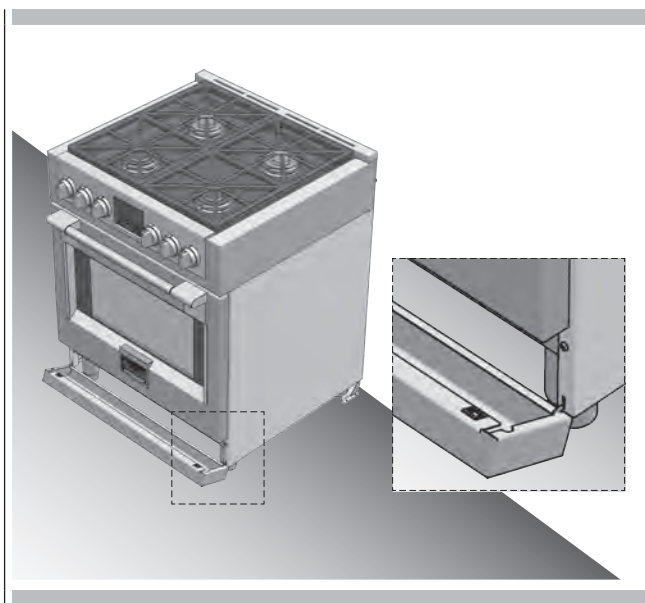
When the unit first powers on, it must complete a safety door lock test. Ensure doors are reinstalled if they were removed to ease movement of the range prior to sending power to the appliance. Do not open the oven door or attempt to use the oven until you are sure the test has been completed successfully. Opening / closing the door during the test could result in damage to the lock mechanism. Refer to the instruction manuals for more details if needed.

Ensure floor is protected. Slide unit into place making sure to engage the anti-tip bracket.



**STEP 10**

Hook tabs on bottom of toekick into slots on either side of the frame and rotate up until the magnets at the top of toekick make contact and hold it in place securely



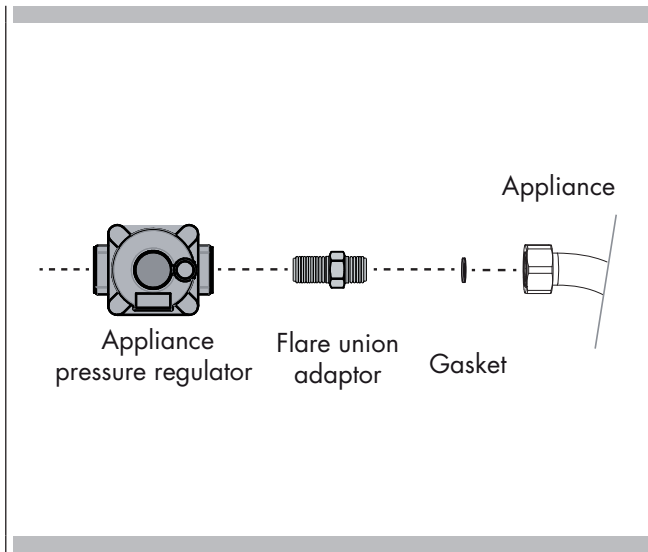
**QUALIFIED SERVICE MAN OR GAS APPLIANCE INSTALLER MUST MAKE THE GAS SUPPLY CONNECTION.**

Leak testing of the appliance shall be conducted by the installer according to the instructions given.

You must install the supplied connection parts seen here in this configuration to the main gas manifold on the appliance. Issues arising from a failure to do so will not be covered by warranty.

Do not install the pressure regulator backwards as the gas will not flow correctly. Check that the arrow on the back points in the direction of gas flow.

Parts required for connection from gas supply to regulator are the responsibility of the installer / owner



**ATTENTION**

Use Teflon tape rated for gas applications at all threaded connections. Do not overtighten the connection at the manifold or you could damage the gasket causing a leak.

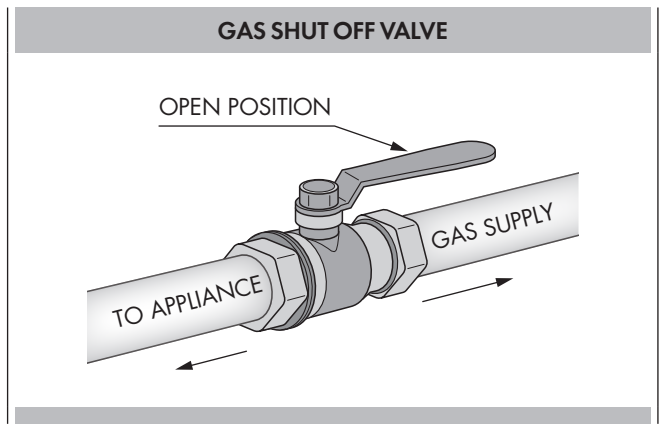
**WARNING**

If the line pressure supplying the appliance pressure regulator exceeds 14 inches W.C. (any gas), an external regulator must be installed in the gas line ahead of the appliance regulator to reduce the pressure to no more than 14 inches W.C. Failure to do this can result in malfunction and damage to the appliance.

**Important Notes for Gas Connection**

The appliance and its individual gas shutoff valve must be disconnected from the gas supply piping system during any pressure testing of that system at test pressures in excess of 1/2 psi (3.5 kPa).

The appliance must be isolated from the gas supply piping system by closing its individual manual shut-off valve during any pressure testing of the gas supply piping system at test pressures equal to or less than 1/2 psi (3.5 kPa).



All supply piping, except as noted, should use common National Pipe Thread (N.P.T.). For all pipe connections use an approved pipe joint compound resistant to the action of LP gas.

This appliance is designed for use with NG gas or LP gas. The gas pressure regulator is supplied with this appliance. It must be installed in the gas ahead of the manifold entrance. It is pre-set for use with natural gas. To use it with different gas it must be converted, as described in the Gas Conversion paragraph.

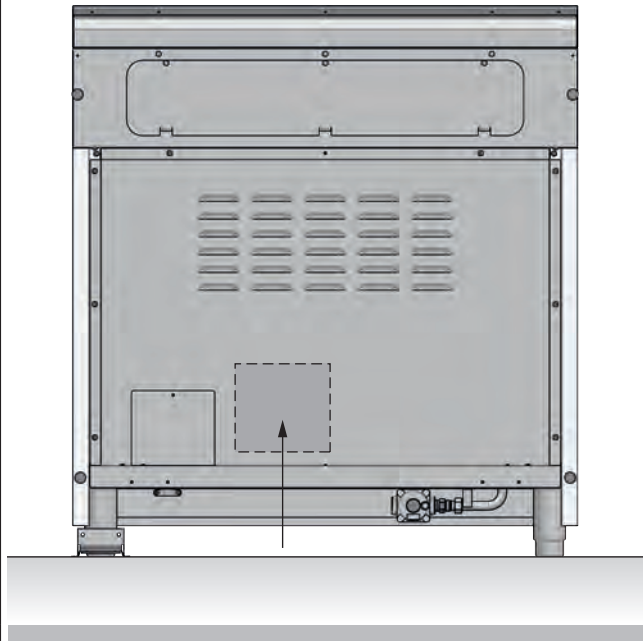
If at any time the appliance is to be used with a different type of gas, all the conversion adjustments must be made by a qualified technician before attempting to operate the range with that gas.

The gas should be supplied to the appliance's pressure regulator at line pressure between 6 and 14 inches of water column for NG, and between 11 and 14 inches of water column for LP.

| GAS REQUIREMENTS  |                                 |
|-------------------|---------------------------------|
| NATURAL GAS       | WC                              |
| Manifold Pressure | 5" (12.5 mb)                    |
| Min Line Pressure | 6" (15 mb)                      |
| Max Line Pressure | 14" (34.9 mb), .5 psi (3.5 kPa) |

| LP GAS            | WC                              |
|-------------------|---------------------------------|
| Manifold Pressure | 10" (25 mb)                     |
| Min Line Pressure | 11" (27.4 mb)                   |
| Max Line Pressure | 14" (34.9 mb), .5 psi (3.5 kPa) |

## LOCATION OF GAS RATING PLATE

**IMPORTANT****NEVER REUSE OLD CONNECTORS WHEN INSTALLING THIS RANGE.**

To reduce the likelihood of gas leaks, apply teflon tape or a thread compound approved for use with LP or Natural gases to all threaded connections.

Apply a non-corrosive leak detection fluid to all joints and fittings in the gas connection between the supply line shut-off valve and the cooktop inlet.

Check for leaks!

Bubbles appearing around fittings and connections will indicate a leak. If a leak appears, turn off supply line gas shut-off valve, tighten connections, turn on the supply line gas shut-off valve, and retest for leaks. Never test for gas leaks with an open flame.

**NEVER TIGHTEN TO MORE THAN 35 ft lbs OF TORQUE****CAUTION**

Do not attempt to attach the flexible connector directly to an external pipe thread.

Connection requires flare union adapters.

For Massachusetts Installations:

1. Shut-off valve must be a "T" handle gas valve.
2. Flexible gas connector must not be longer than 36 inch.
3. Not approved for installation in a bedroom or a bathroom unless unit is direct vent.

**Pressure Testing**

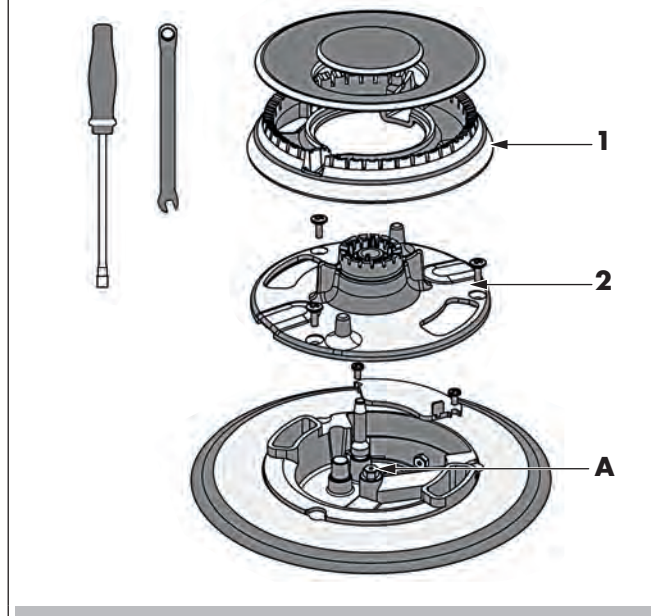
The appliance must be isolated from the gas supply piping system by closing its individual manual shut-off valve during any pressure testing of the gas supply piping system at test pressures equal to or less than 1/2 PSIG (3.5 kPa).

This appliance, as well as its individual shut-off valve, must be disconnected from the gas supply piping system during any pressure testing of the system at test pressures in excess of 1/2 PSIG (3.5 kPa).

When checking appliance regulator function, make certain pressure of natural gas supply is between 6 and 14 inches of water column or, if converted for LP gas, between 11 and 14 inches.

THE PRESSURE TESTING SHOULD BE PERFORMED BY MEANS OF THE INJECTOR THREAD ZONE

## EXPLODED VIEW OF BURNER

**Pressure Test Method**

- Remove grate and burner cap (1).
- Remove aluminum gas spreader (2).
- Temporarily remove the injectors (A).
- Connect the pressure Test instrument into injector holder thread zone (M6x0,75).
- Check if the cooktop has the correct pressure.
- Fix the injector removed for testing and replace the parts in the right position.

## Gas Connection

- Thread the appliances pressure regulator with 1/2" male end connection both supplied with this appliance.
- Join the pressure regulator to the entrance threads of the Gas Manifold with gasket supplied with this appliance. The regulator is marked with a directional arrow indicating correct direction of gas flow. Ensure the appliance regulator is installed with the arrow pointing toward the gas manifold entrance.
- Connect a manual shut-off valve to the gas supply in an accessible location for turning on or shutting off gas to the appliance.
- Install a coupling between the regulator and the shutoff valve to complete the connection.
- Assure all pipe joint connections are gas tight.
- Check alignment of valves after connecting the cooktop to the gas supply to be sure the manifold pipe has not been moved.

Unless prohibited by local codes or ordinances, a new A.G.A. - Certified, flexible metal appliance connector may be used to connect this appliance to its gas supply.

The connector must have an internal diameter not less than nominal 1/2" NPT pipe and be no more than 5 feet in length. A 1/2" NPT x 1/2" flare union adaptor is required at each end of the flexible connector.

If a flexible connector is used assure that both the appliance pressure regulator and manual shut-off valve are joined solidly to other permanent hard piping (either gas supply or the appliance manifold) so as to be physically stationary.

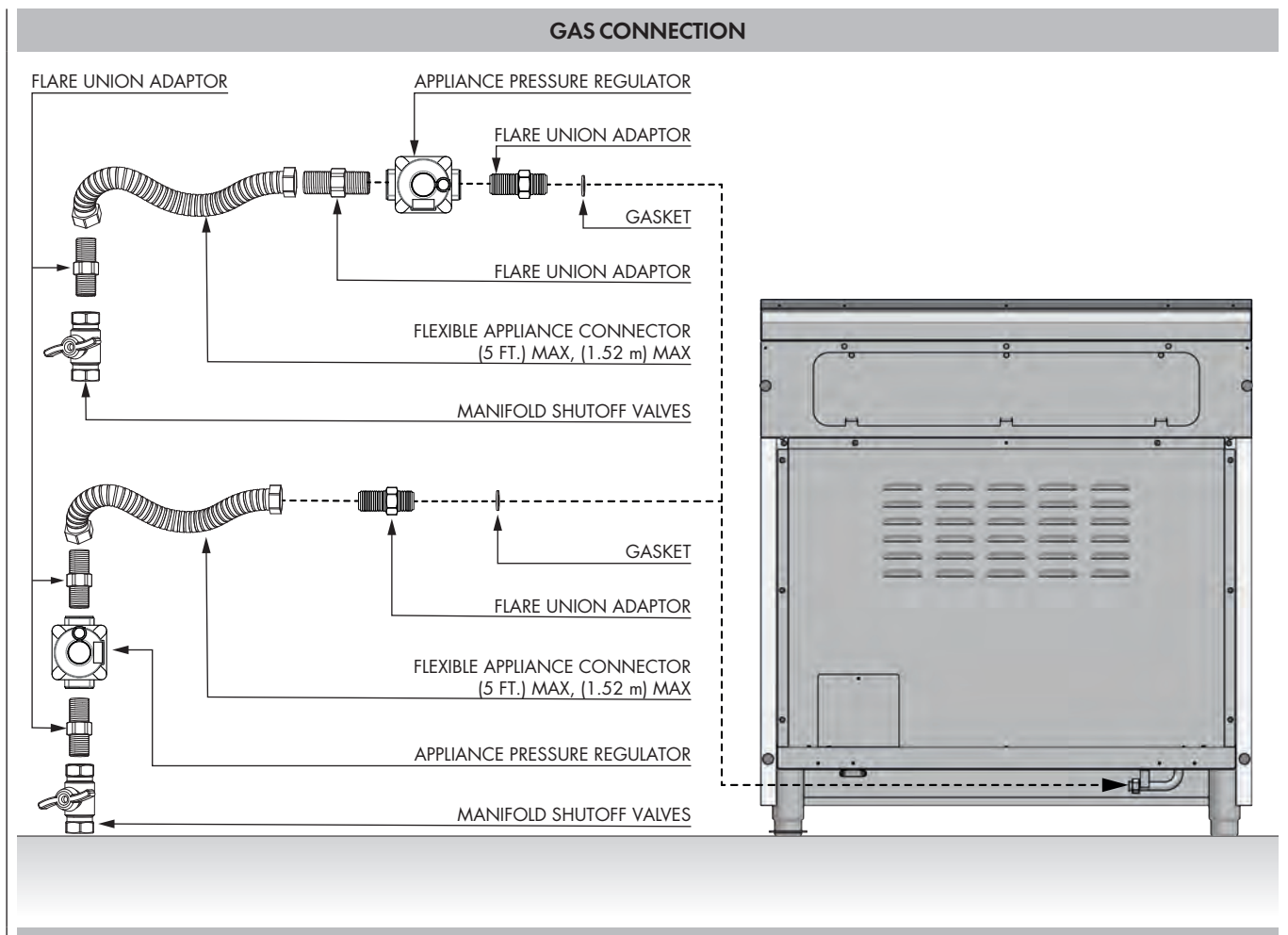
### ⚠ CAUTION

Do not attempt to attach the flexible connector directly to an external pipe thread. Connection requires flare union adapters.

**FOR ALTERNATIVE PIPING METHODS TO CONNECT THE APPLIANCE TO THE GAS SUPPLY, A TRAINED SERVICE TECHNICIAN OR GAS APPLIANCE INSTALLER MUST MAKE THE GAS SUPPLY CONNECTION. Leak testing of the appliance shall be conducted by the Installer according to the Instructions given.**

For Massachusetts Installations:

1. Shut-off valve must be a "T" handle gas valve.
2. Flexible gas connector must not be longer than 36 inches.
3. Not approved for installation in a bedroom or a bathroom unless unit is direct vent.





## Converting Appliance for Use with LP Gas

### WARNING

Conversion is to be performed by an AUTHORIZED SERVICER (or other qualified agency) in accordance with the manufacturer's instructions and all codes and requirements of the authority having jurisdiction. Failure to follow instructions could result in serious injury or property damage. The qualified agency performing this work assumes responsibility for this conversion.

### CAUTION

Before proceeding with the conversion, shut off the gas supply to the appliance prior to disconnecting the electrical power.

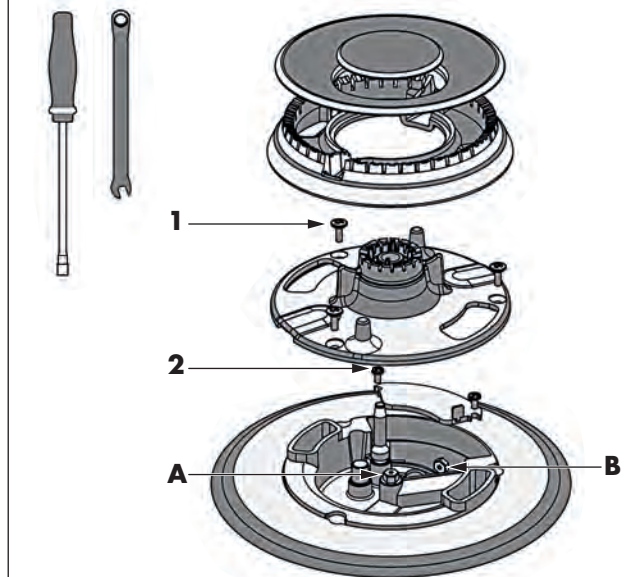
If this appliance is to be converted for use with gas LP (propane or butane), each of the following modifications must be performed:

Gas conversion label (aluminium) to be placed on the back of the appliance, near the data plate, after conversion has been carried out;

### Replace Injectors (two ring flame burner)

1. Remove the grates and burner caps.
2. Remove aluminium gas spreader.
3. Remove the three screws from the simmer gas spreader (1).
4. Remove the two screws of the injector cover (2).
5. Remove injector (A) by using a 9-32" (7mm) nut driver counter clockwise.
6. Remove injector (B) by using a 9-32" (7mm) box wrench counter clockwise.
7. Install the injectors supplied with this appliance in the appropriate burner. The injectors have small numbers stamped on the side, this number corresponds with the orifice diameter and its correct burner location (refer to illustrations in the section: "Injectors Position").
8. Turn clockwise to tighten (tighten to a torque of 15 to 20 inch-lbs).
9. Replace all parts following the reverse order.
10. Save the injectors removed from the appliances for future use.

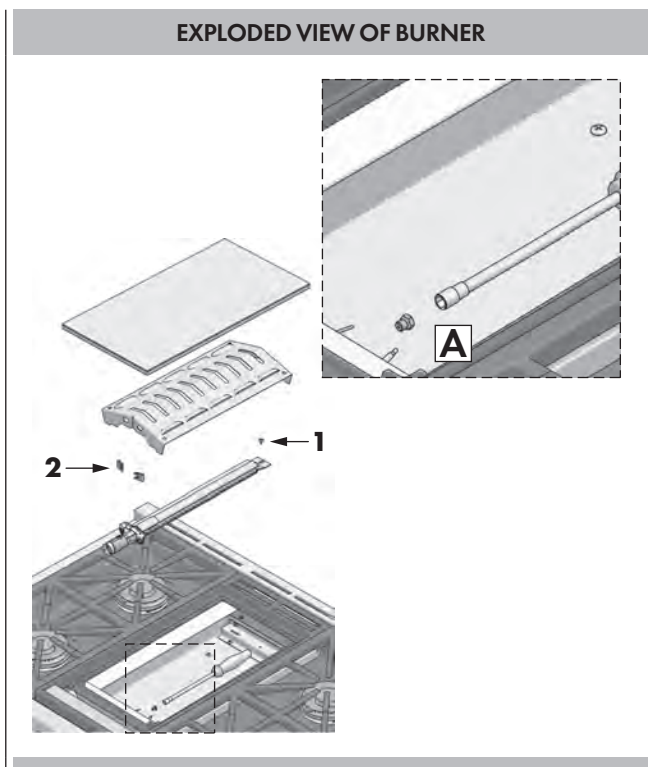
### EXPLODED VIEW OF BURNER



### Replace Injector (griddle)

1. Remove griddle plate.
2. Remove burner cover.
3. Remove the burner fixing screw (1).
4. Remove the springs (2) from thermocouple and ignitor to shift the burner.
5. Remove injector (A) by using a 9-32" (7mm) nut driver counter clockwise.
6. Install the injector supplied with this appliance. The injector has small numbers stamped on the side, this number corresponds with the orifice diameter.
7. Turn clockwise to tighten (tighten to a torque of 15 to 20 inch-lbs.)
8. Replace all parts following the reverse order.
9. Save the injectors removed from the appliances for future use.

## EXPLODED VIEW OF BURNER



Proceed to Pressure Regulator Conversion noting the LP / Propane position to complete the conversion.

After replacing the injectors adjust the burner flame (see Low Flame Adjustment paragraph).

Check the appearance of each burner's flame at HILO settings, if the flame appears too large or too small make sure that all steps were completed correctly.

### Converting Appliances for Use with NG Gas

If this appliance should be converted for use with gas NG (natural gas), each of the following modifications must be performed.

1. Convert the pressure regulator to NG position as per the section "Pressure Regulator Conversion".
2. Replace all injectors following the step described on the previous pages, observe the number stamped on the side, this number corresponds to the orifice diameter and its correct burner location (refer to the illustrations in section: "Injectors Position").
3. Adjust the burner flame (see Low Flame Adjustment section).

Check the appearance of each burner's flame at HI - LO settings, if the flame appears too large or too small make sure that all steps were completed correctly.

### Pressure regulator conversion

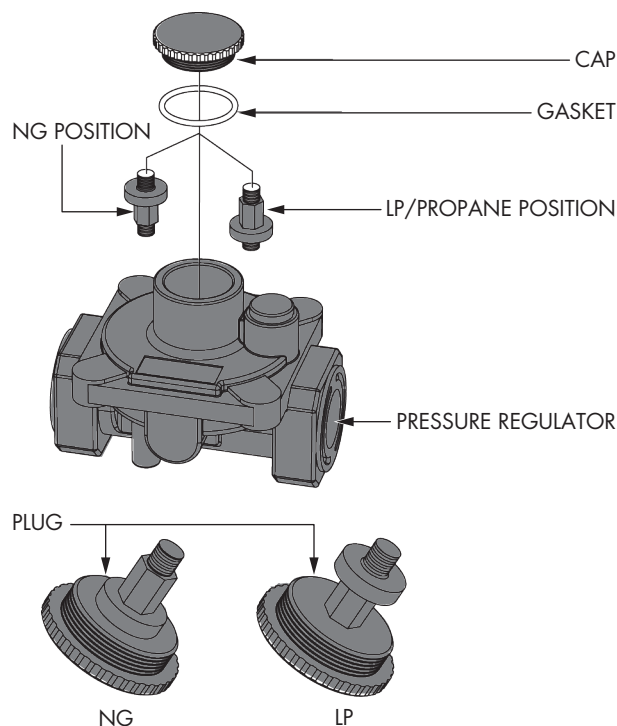
The appliances is designed for use with NG gas or LP gas. The gas pressure regulator is supplied. It must be installed in the gas supply line ahead of the manifold entrance.

It is pre-set for use with the gas as indicated on the appliance label supplied with the appliance. For use with different gas the appliance must be converted.

**For the pressure regulator conversion follow the instructions below:**

- Disconnect all electrical power, at the main circuit breaker or fuse box.
- Shut off the gas supply to the cooktop by closing the manual shut-off valve.
- Adjust the pressure regulator, by following the instruction (see figure)
  1. Unscrew the regulator cap
  2. Unscrew the plastic conversion plug from the cap turn over and screw back (wide section away from cap for LP and against cap for NG) see figures below.
  3. Replace the regulator cap ensuring gasket is in place.

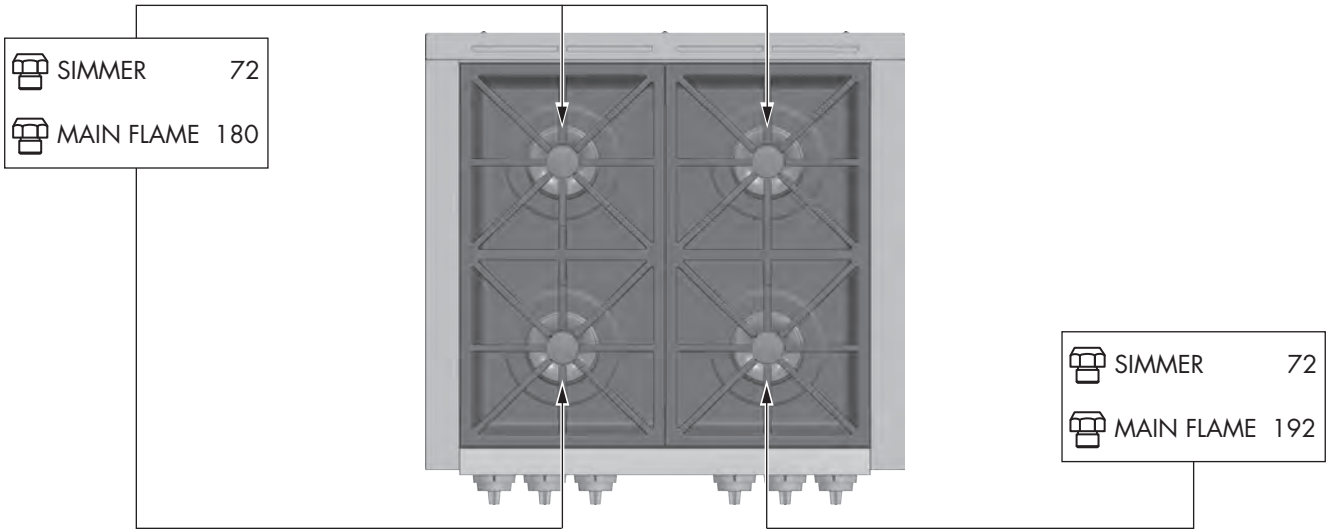
### PRESSURE REGULATOR CONVERSION



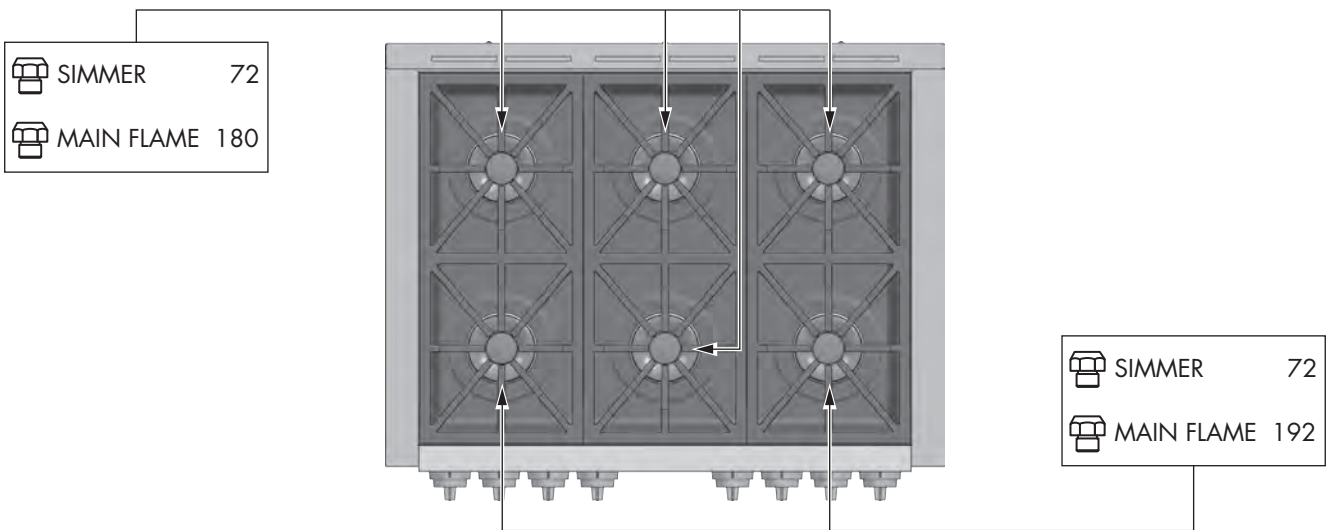
Before replacing the regulator cap, check if the position of plug is suitable for the gas

INJECTORS POSITION

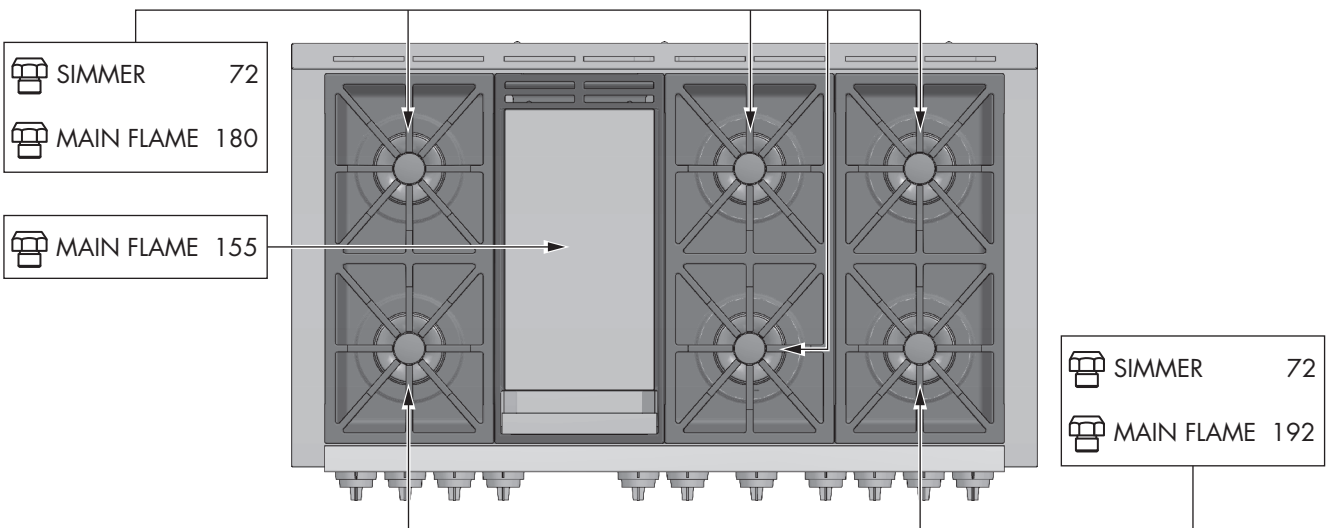
NG- DUAL FLAME RING 30"



NG- DUAL FLAME RING 36"



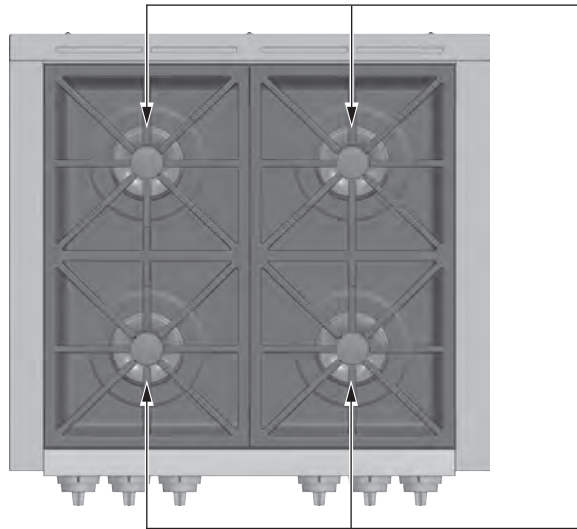
NG- DUAL FLAME RING & GRIDDLE 48"






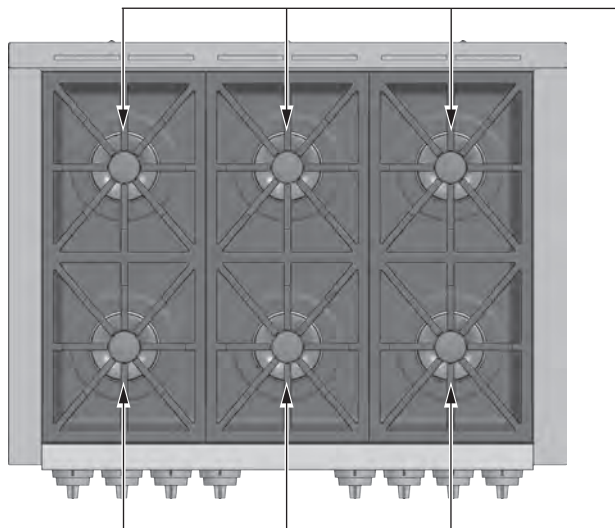
**INJECTORS POSITION**

**LP- DUAL FLAME RING 30"**



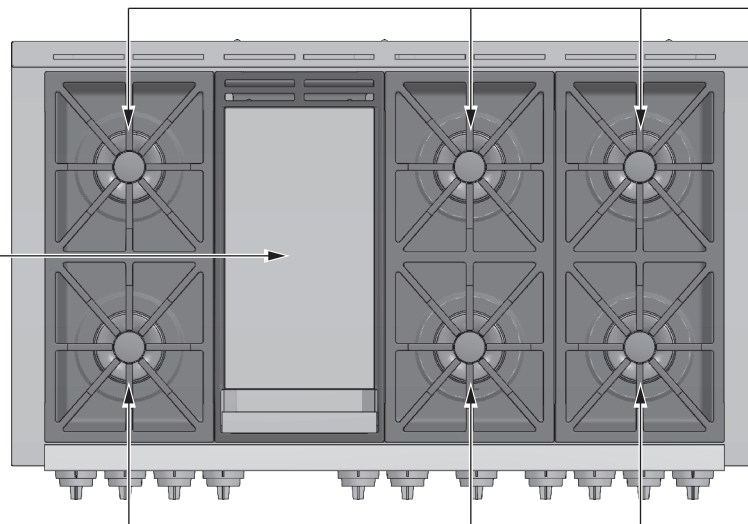
-  SIMMER 50
-  MAIN FLAME 105

**LP- DUAL FLAME RING 36"**





-  SIMMER 50
-  MAIN FLAME 105

**LP- DUAL FLAME RING & GRIDDLE 48"**



-  MAIN FLAME 94

-  SIMMER 50
-  MAIN FLAME 105

## Low Flame Adjustment

### DANGER

Lighting gas burners with a match is dangerous. You should match light the burners only in an emergency. Light a match and hold the flame near the burner you want to light. Wooden matches work best. Push in and turn the control knob slowly. Be sure you are turning the correct knob for the burner you are lighting.

**NOTE:** If the burner does not light within five seconds, turn the knob off and wait one minute before trying again.

### CAUTION

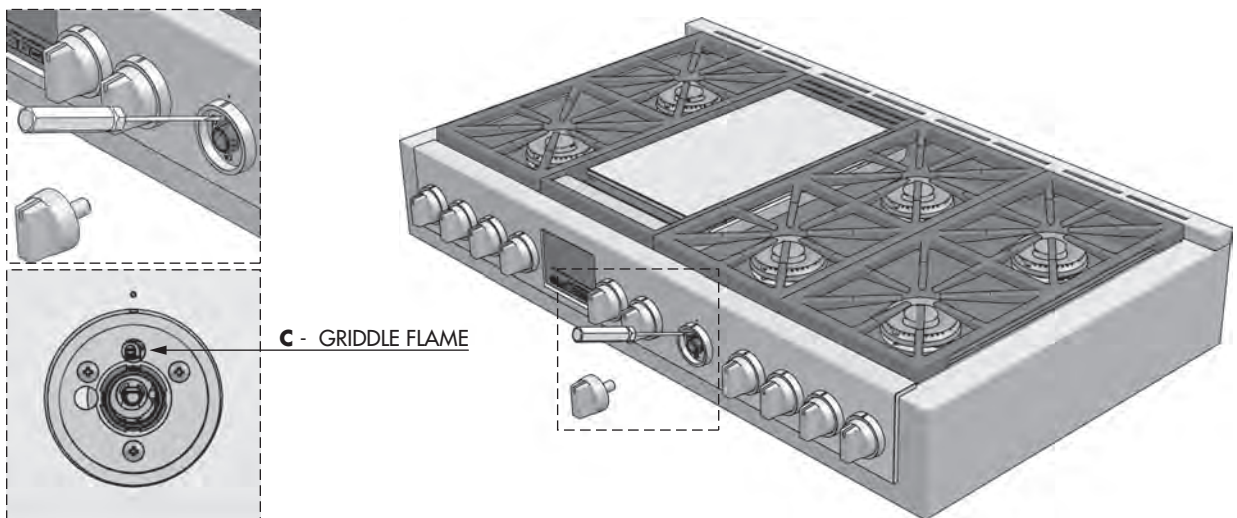
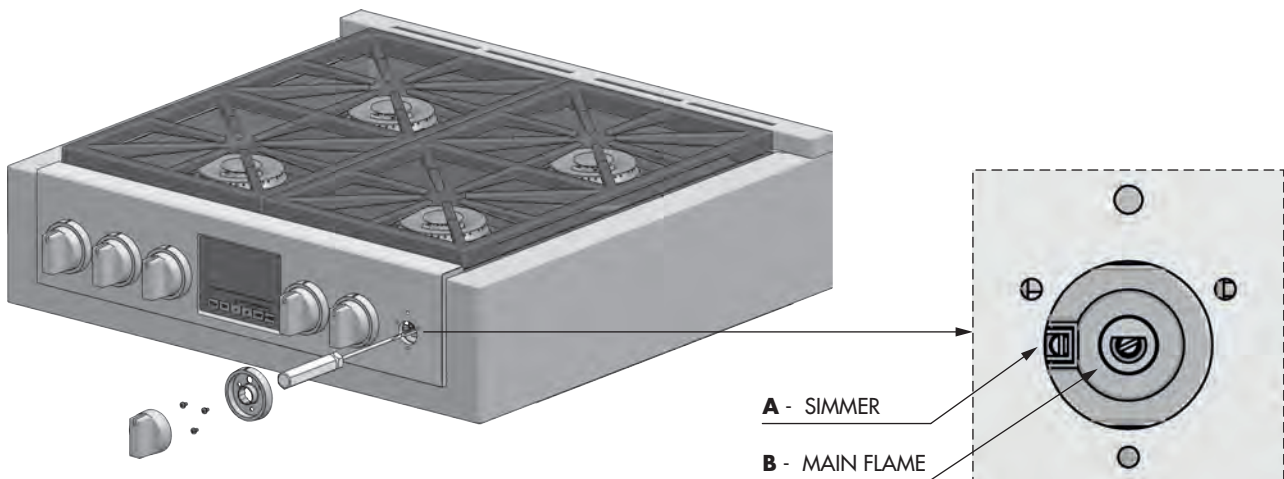
If you attempt to measure the inner cone of the flame, please use caution. Burns could result.

This appliance is shipped from the factory with low and medium flame settings adjusted. If further adjustment is necessary, proceed as follows:

### Adjustment for Burners with one or two flame rings:

1. Light burner and set control knob for low flame.
2. Remove control knob from valve stem.
3. Remove knob seat from control panel.
4. Insert a slender, thin-blade screwdriver into the recess behind the control knob (A, B or C) and engage blade with slot in adjusting screw.
5. Turn adjusting screw to set flame size:
  - clockwise to reduce
  - counterclockwise to increase
6. Replace control knob when adjustment is completed.

### LOW FLAME ADJUSTMENT



Proper adjustment will produce a stable, steady blue flame of minimum size.

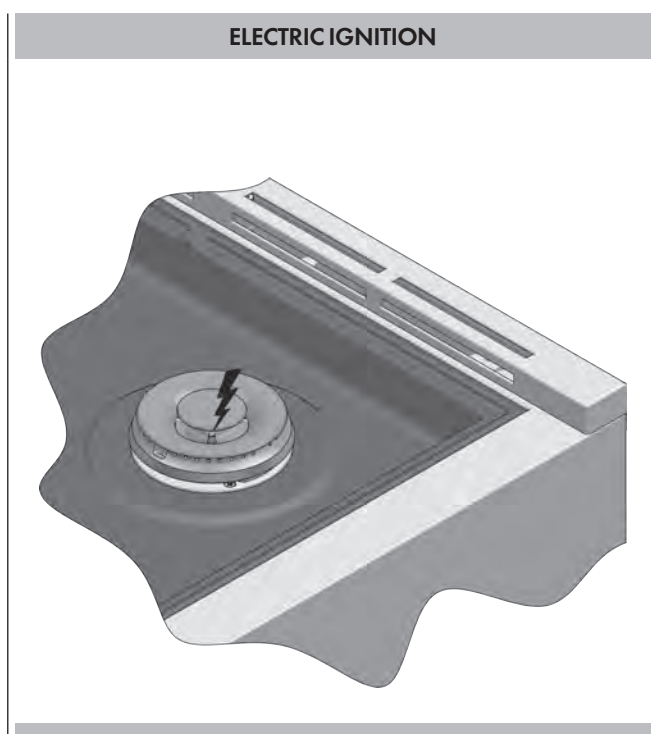
The final adjustment should be checked by turning the knob from high to low several times without extinguishing the flame. This adjustment, at low setting, will automatically provide the proper flame size at medium setting.

After Conversion steps have been completed, check the appearance of each burner's flame at the HI and LO settings, if the flames appear too large or too small review each step to make sure it was completed correctly.

**NOTE:** To obtain the correct minimum setting with LP gas, turn clockwise tightening the valve(s) fully with the thin-blade screwdriver into the recess behind control knob (A and / or B).

### Electric Gas Ignition

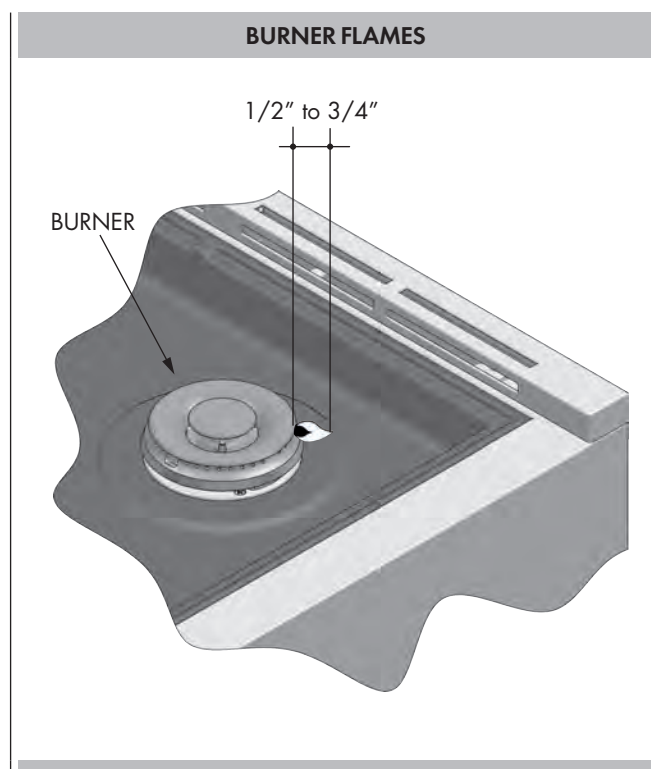
The gas burners use an electric ignition device located near each burner ensures burners ignite automatically.



See Use & Care manual for better explanation and its control.

### The Burner Flames

Turn each burner on. Flames should be blue in color with no trace of yellow. The burner flames should not flutter or blow away from the burner. The inner cone of the flame should be between 1/2" and 3/4" long.

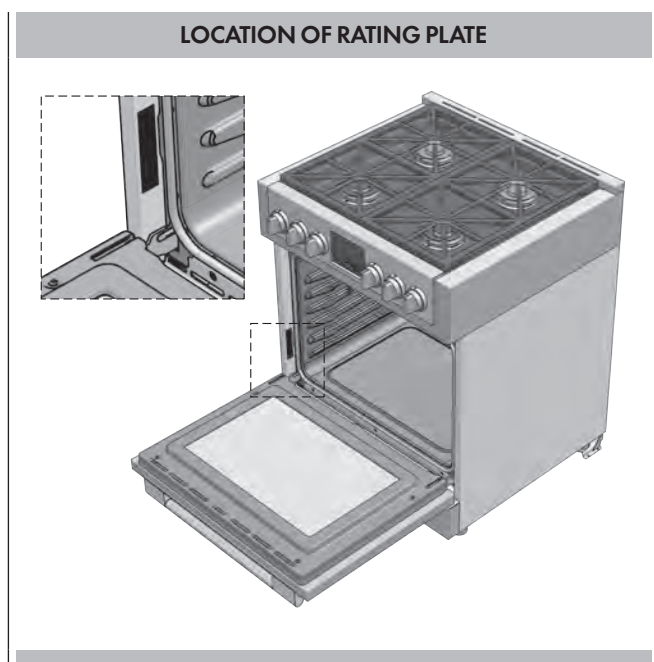


Before installing the oven have a qualified electrician verify that your home is provided with adequate electrical service and that the addition of the oven will not overload the branch circuit on which it is to be installed.

Be sure your appliance is properly installed and grounded by a qualified technician. Ask your dealer to recommend a qualified technician or an authorized repair service.

This appliance is manufactured with a green GROUND wire connected to the oven chassis Junction Box or Wall Receptacle Location.

Suggested location of the junction box or wall receptacle is showed in "Cutout requirements" Figure.



Your local codes and ordinances, of course, take precedence over these instructions. Complete electrical connections according to local codes and ordinances.

A UL listed conduit connector must be provided at each end of the power supply conduit (at the range and at the junction box).

- Wire sizes and connections must conform with the rating of the range.
- The wiring diagram is located on the back of the range or in a clear plastic bag.

#### In the United States:

Be sure that the electrical and grounding connections and also wire size are adequate and in conformance with the National Electrical Code, ANSI/ NFPA 70-latest edition and all local codes and ordinances.

#### In Canada:

Be sure that the electrical connection and wire size are adequate and in conformance with CSA Standard C22.1, Canadian Electrical Code, Part 1 - latest edition, and all local codes and ordinances.



### WARNING

Risk of Electric Shock, frame grounded to neutral of appliance through a link

Grounding through the neutral conductor is prohibited for new branch-circuit installations (1996 NEC); mobile homes; and recreational vehicles, or in an area where local codes prohibit grounding through the neutral conductor. For installations where grounding through the neutral conductor is prohibited:

- Disconnect the ground from the neutral at free end of conduit;
- Use grounding terminal or lead to ground unit; and
- Connect neutral terminal or lead to branch circuit neutral in usual manner.

A 3-wire\* or 4-wire single phase 120/240 or 120/208 Volt, 60 Hz AC only electrical supply is required on a separate circuit fused on both sides of the line (time-delay fuse or circuit breaker is recommended). DO NOT fuse neutral.

**NOTE:** FOR USE WITH 208 V, 60 HZ SUPPLY VOLTAGE, SEE CONNECTING TO 208 VOLT CIRCUIT.

#### ELECTRICAL REQUIREMENTS 30" or 36" OVEN RANGE

|                    |                             |        |      |
|--------------------|-----------------------------|--------|------|
| Electrical Supply  | 120-240V or 120-208V, 60 Hz |        |      |
| Service            | 30 amp dedicated circuit    |        |      |
| Total Amps         | 120/240V                    | 16.9   | Amps |
|                    | 120/208V                    | 17.5   | Amps |
| Max Connected Load | 120/240V                    | 3.84   | kW   |
|                    | 120/208V                    | 3.54   | kW   |
| Min Supply Wire    | L1, L2, ground              | 12 AWG |      |
|                    | Neutral                     | 16 AWG |      |

#### ELECTRICAL REQUIREMENTS 48" DOUBLE OVEN RANGE

|                    |                             |        |      |
|--------------------|-----------------------------|--------|------|
| Electrical Supply  | 120-240V or 120-208V, 60 Hz |        |      |
| Service            | 50 amp dedicated circuit    |        |      |
| Total Amps         | 120/240V                    | 31.3   | Amps |
|                    | 120/208V                    | 29.5   | Amps |
| Max Connected Load | 120/240V                    | 7.00   | kW   |
|                    | 120/208V                    | 6.00   | kW   |
| Min Supply Wire    | L1, L2, ground              | 10 AWG |      |
|                    | Neutral                     | 12 AWG |      |



### WARNING

#### ELECTRICAL SHOCK HAZARD

- The electrical power to the appliance branch circuit must be shut off while line connections are being made.
- Do not use an extension cord with this appliance.
- Electrical ground is required on this appliance.
- The free end of the green wire (the ground wire) must be connected to a suitable ground. This wire must remain grounded to the appliance.
- If cold water pipe is interrupted by plastic, non metallic gaskets, union connections or other insulating materials, DO NOT use for grounding.
- DO NOT ground to a gas pipe.
- DO NOT have a fuse in the NEUTRAL or GROUNDING circuit. A fuse in the NEUTRAL or GROUNDING circuit could result in an electrical shock.
- Check with a qualified electrician if you are in doubt as to whether the appliance is properly grounded.
- Failure to follow these instructions could result in serious injury or death.

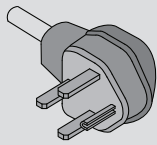
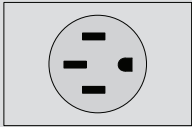
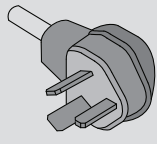
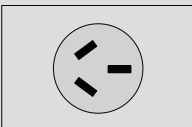


**⚠ CAUTION**

Do not repair or replace any part of the appliance unless specifically recommended in the manual. All other servicing should be done by a qualified technician. This may reduce the risk of personal injury and damage to the appliance. Never modify or alter the construction of the appliance by removing panels, wire covers, screws, or any other part of the product.

**Factory Connected Power Supply Cord**

Your range is equipped with a factory-connected power cord. Cord must be connected to a grounded 120/240 volt or 120/208 volt range outlet. If no outlet is available, have one installed by a qualified.

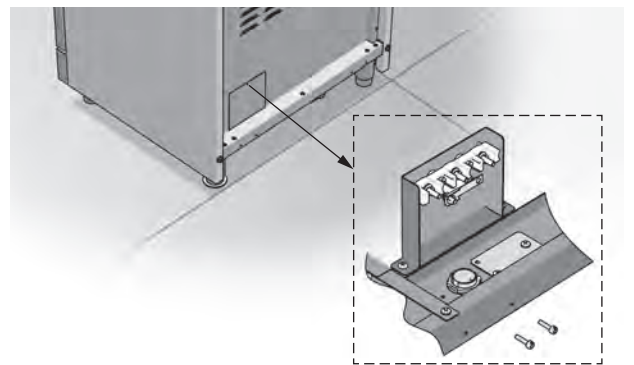
| PLUG POWER SUPPLY CORD  |   |
|---|---|
|    |    |
| NEMA 14-50P Plug  | NEMA 14-50R Receptacle  |
|  |  |
| NEMA 10-50P Plug<br>(for US only)   | NEMA 10-50R Receptacle<br>(for US only)   |

**Power Supply Cord Kit or Flexible Conduit (for US only)**

The user is responsible for connecting the power supply cord to the connection block located behind the back panel access cover. This appliance may be connected by means of permanent "hard wiring" (flexible armored or nonmetallic shielded copper cable), or by means of a power supply cord kit. Use only a power supply cord kit rated at 125/250 volts minimum and marked for use with ranges. Cord must have either 3 or 4 conductors. Terminals on end of wires must either be closed loop or open-end spade lugs with upturned ends. For 30", 36" and 48" ranges use a power supply cord kit rated at minimum 50A that is marked for use with nominal 1-3/8 in (34.93 mm) diameter connection openings.

- 1) Disconnect power.
- 2) Remove the terminal block cover screws located on the back of the range.

**LOCATION OF ELECTRICAL CONNECTION**

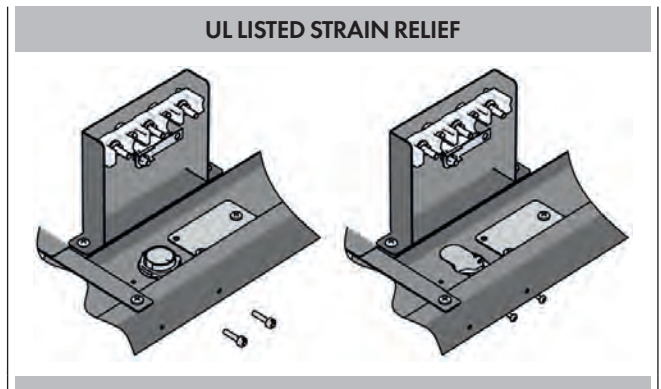


3) Add strain relief if not provided.

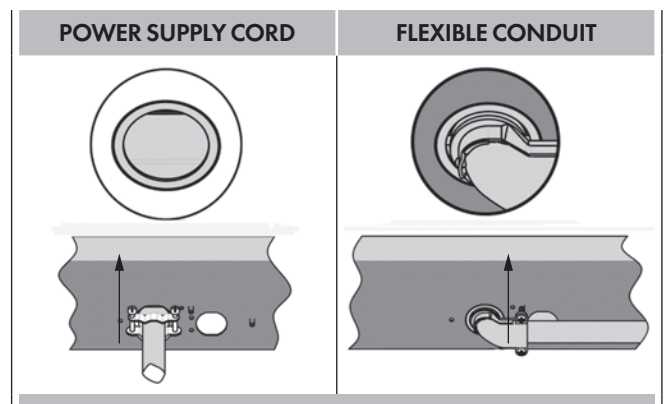
NOTE: If necessary remove the knockout to insert the strain relief.

**Power supply cord strain relief**


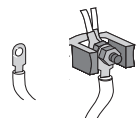

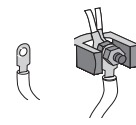
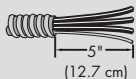
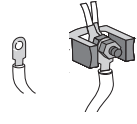
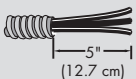
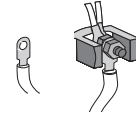
- Assemble a UL listed strain relief in the opening.



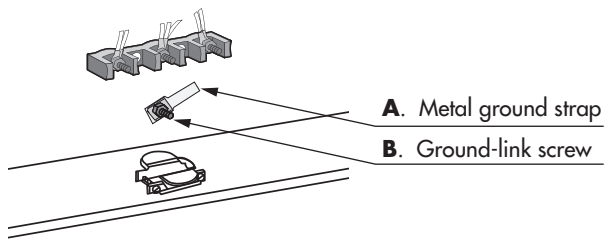
- Feed the power supply cord or flexible conduit through the strain relief in the cord/conduit plate on bottom of range. Allow enough slack to easily attach the wiring to the terminal block.
- Tighten strain relief screw against the power supply cord or flexible conduit.



- 4) Complete installation following instructions for your type of electrical connection:
- 4-wire (recommended)
  - 3-wire (if 4-wire is not available)

| ELECTRICAL CONNECTION OPTIONS  |  |   |  |  |   |
|--|--|---|--|--|---|
| IF YOUR HOME HAS   | AND YOU WILL BE CONNECTING TO:                                 | CONNECTION TYPE:  | IF YOUR HOME HAS   | AND YOU WILL BE CONNECTING TO:                                 | CONNECTION TYPE:  |
| <b>4-wire receptacle (NEMA type 14-50R)</b><br> | A UL listed, 250-volt minimum, 30-amp, range power supply cord |  | <b>3-wire receptacle (NEMA type 10-50R)</b><br> | A UL listed, 250-volt minimum, 30-amp, range power supply cord |  |
| <b>4-wire direct</b><br>                        | A fused disconnect or circuit breaker box                      |  | <b>3-wire direct</b><br>                        | A fused disconnect or circuit breaker box                      |  |

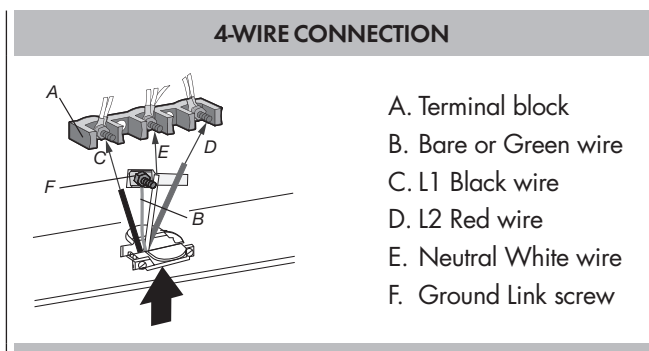
  

| TERMINAL BLOCK - GROUND STRAP  |  |
|--|--|
|  <p><b>A.</b> Metal ground strap<br/><b>B.</b> Ground-link screw</p> |  |

#### 4-wire connection

Part of metal ground strap must be removed.

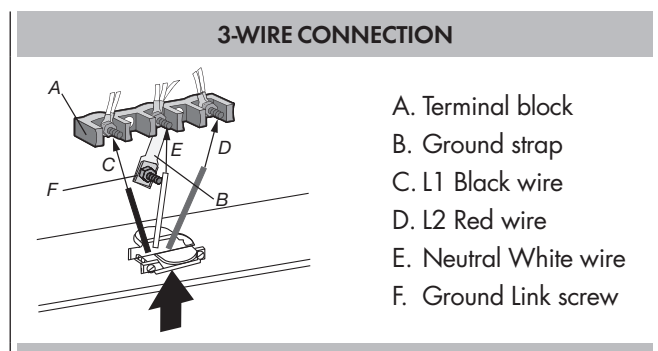
- 1) Use Phillips screwdriver to remove the ground-link screw from the back of the range. Save the ground-link screw and the end of the ground link under the screw.
- 2) Feed the power supply cord through the strain relief in the cord/conduit plate on bottom of range. Allow enough slack to easily attach the wiring to the terminal block.
- 3) Use Phillips screwdriver to connect the green ground wire from the power supply cord to the range with the ground-link screw. The ground wire must be attached first.
- 4) Use 3/8" nut driver to connect the neutral (white) wire to the enter terminal block post with one of the 10-32 hex nuts.  
(Refer to the "Electric Connection Options" table to see the appropriate connection type)
- 5) Connect line 1 (black) and line 2 (red) wires to the outer terminal block posts with 10-32 hex nuts.
- 6) Securely tighten hex nuts.
- 7) Replace terminal block access cover.



#### 3-wire connection

Use this method only if local codes permit connecting chassis ground conductor to neutral wire of power supply cord:

- 1) Feed the power supply cord through the strain relief in the cord/conduit plate on bottom of range. Allow enough slack to easily attach the wiring to the terminal block.
- 2) Use 3/8" nut driver to connect the neutral (white) wire to the center terminal block post with one of the 10-32 hex nuts.  
(Refer to the "Electric Connection Options" table to see the appropriate connection type)
- 3) Connect line 1 (black) and line 2 (red) wires to the outer terminal block posts with 10-32 hex nuts.
- 4) Securely tighten hex nuts.
- 5) Replace terminal block access cover.



**Direct Electrical Connection to the Circuit Breaker, Fuse Box or Junction Box**

If the appliance is connected directly to the circuit breaker, fuse box or junction box, use flexible, armored or non metallic sheathed copper cable (with grounding wire).

**3-WIRE BRANCH CIRCUIT (for US only)**

Refer to Figure A:

where local codes allow the connection of GROUND wire from the range to the branch circuit NEUTRAL wire (gray or white colored wire):

- If local codes permit, connect the green GROUND wire from the range and the white wire from the oven to the branch circuit NEUTRAL wire (gray or white colored wire).
- Connect the red and black leads from the range to the corresponding leads in the junction box.

**DO NOT ground to a gas supply pipe.**

DO NOT connect to electrical power supply until appliance is permanently grounded. Connect the ground wire before turning on the power.

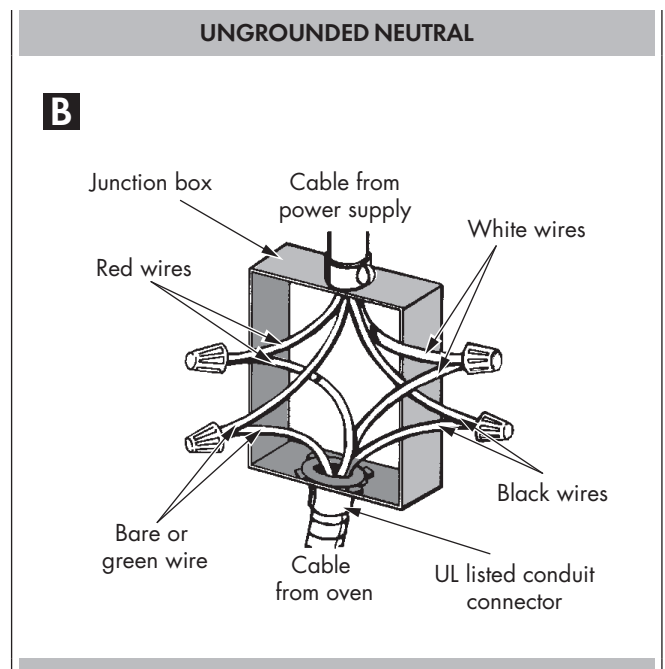
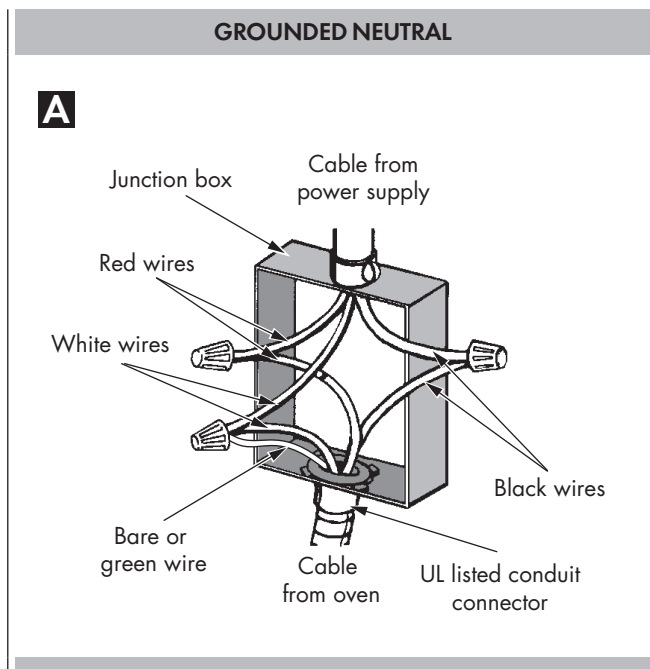
**4-WIRE BRANCH CIRCUIT (for US only)**

Refer to Figure B:

- Disconnect ground from neutral at free end of conduit.
- Connect the green GROUND wire from the range to the GROUND wire in the junction box (bare or green colored wire).
- Connect the red and black leads from the range to the corresponding leads in the junction box.
- Connect the white wire from the range to the NEUTRAL (gray or white) wire in the junction box.

**DO NOT ground to a gas supply pipe.**

DO NOT connect to electrical power supply until appliance is permanently grounded. Connect the ground wire before turning on the power.



To prevent improper connections leading to damage of electrical components and so voiding the warranty, the following steps must be performed:

1. Check the electrical requirements and make sure you have the correct electrical supply and that the range is properly grounded.
2. Before the range is connected, turn on the power supply.
3. Check power at the junction box wires using a voltmeter having a range of 0-250 VAC. If you have installed the oven for use on 240 Volt supply, you should find that the voltage reading between the black and red wires (Line to Line) should be 220 to 240 Volts. If you have modified the range(s) for use on 208 Volt, the voltage reading between the black and red wires should be 190 to 208 Volts.
4. Connect the range to the power supply.
5. Set the clock by following these steps:
  - Press **TIME** key twice until the display shows "SET TIME".
  - Immediately press **+** or **-** keys to set hours.
  - Press **TIME** key again to change minutes.
  - Immediately press **+** or **-** keys to set minutes, hold to change by ten (10) minutes step.
  - Press **TIME** key or wait for a few seconds.
 Clock is now set.
6. Test the bake mode by following this step:
  - Move cooking mode knob to "BAKE" position.
  - Cooling fan, oven lights, preheat led will turn on.
  - A beep is sounded when the oven reaches the preset 350 °F (175 °C) and the preheat light turn off.
  - Move the knob back to "OFF" position to stop cooking.
7. To check the other oven functions refer to the "Using the Oven Controls" section of the USE AND CARE MANUAL.
8. If the oven is working properly, turn off the power supply to the oven.
9. Place the cover on the junction box and make sure the cover is securely fastened and turn on the power to the oven.



### IMPORTANT

Leave these INSTALLATION instructions as well as the USE AND CARE MANUAL with the owner.

### CONNECTING TO 208 VOLT CIRCUIT

This option is provided for areas where standard 240 Volt service is not available. This option must be accessed with the appliance connected to power source, and using the following sequence:

1. Within five minutes from power up, hold **MENU** and **TIME** keys for 3 seconds to enter the user option menu. The display shows as follows:



2. Hold then **TIME** and **LIGHT** keys until the display becomes dark.
3. Hold **MENU** and **LIGHT** further, until the time display shows "Volt" and temperature module shows "240" blinking, waiting for an input.



4. Using **+** or **-** keys, the control toggles between 240V and 208V options. Hold **MENU** to confirm.
5. Hold **TIME** and **LIGHT** keys in order to quit the selection.
6. Hold **MENU** key for 3 seconds to quit the user option menu.

The voltage setting is stored and kept even after a long power-off.



| TABLES DES MATIERES   | PAGE      |
|---|-----------|
| <b>1 - Avertissement Spéciaux</b>   | <b>2</b>  |
| Avant de Procéder à l'Installation  | 2         |
| Installation autocaravane   | 2         |
| Micro-maisons préfabriquées   | 2         |
| <b>2 - Dimensions et Dispositions pour la Découpe</b>                                 | <b>3</b>  |
| Instructions d'installation des supports anti-bascules                                | 5         |
| <b>3 - Consignes d'installation</b>   | <b>7</b>  |
| <b>4 - Instructions d'Installation</b>  | <b>8</b>  |
| <b>5 - Conditions Requies Gaz</b>   | <b>11</b> |
| Vérification de la Pression   | 12        |
| Méthode de Test de Pression   | 12        |
| Raccordement du Gaz   | 13        |
| <b>6 - Conversion Gaz PL ou Gaz Naturel</b>   | <b>14</b> |
| Conversion de l'Appareil pour Fonctionner au Gaz PL                                   | 14        |
| Remplacez un injecteur (brûleur avec deux anneaux de flamme)                          | 14        |
| Remplacer l'injecteur (grille)  | 14        |
| Conversion des Appareils pour Une Utilisation avec Gaz Naturel                        | 15        |
| Conversion du régulateur de pression  | 15        |
| Position des Injecteurs   | 16        |
| Réglage Petite Flamme   | 18        |
| Réglage pour brûleurs avec un ou deux anneaux de flamme:                              | 18        |
| Allumage à gaz électrique   | 19        |
| Les Flammes du Brûleur  | 19        |
| <b>7 Alimentation électrique</b>  | <b>20</b> |
| <b>8 Connexions électriques</b>   | <b>21</b> |
| Connexion 4 fils  | 22        |
| Connexion 3 fils  | 22        |
| Connexion directement au disjoncteur, à la boîte à fusibles ou à la boîte de jonction | 23        |
| <b>9 Liste de vérification finale</b>   | <b>24</b> |

**IMPORTANT:** Gardez ces instructions pour une utilisation d'inspection électrique locale

**INSTALLATEUR:** Veuillez laisser ce manuel au propriétaire pour de futures références.

**PROPRIETAIRE:** Veuillez garder ce manuel pour de futures références.

**LEXIQUE:** NG - Gaz naturel  
LP - Propane liquide

**Veillez prêter attention à ces symboles que vous rencontrerez dans ce manuel :**



## DANGER

Si vous ne suivez pas IMMEDIATEMENT ces instructions, vous courez le risque de mourir ou d'être sérieusement blessé.



## AVERTISSEMENT

Ce symbole signifie que la sécurité est en danger. Il signale les risques potentiels qui peuvent entraîner la mort ou des blessures à l'opérateur ou aux autres.

Si vous ne suivez pas ces instructions à la lettre, vous courez le risque de mourir ou d'être sérieusement blessé.

### BIEN LIRE CES INSTRUCTIONS ET LES CONSERVER.

#### À l'installateur :

Laissez ces instructions avec l'appareil.

#### Au client :

Gardez ces instructions comme référence future.



## AVERTISSEMENT

Le respect minutieux des indications fournies dans ce manuel est indispensable pour éviter le risque de feu ou d'explosion susceptible d'endommager les biens et les produits et de provoquer des blessures, voire même la mort.

Ne pas stocker ou utiliser de l'essence ou d'autres liquides inflammables à proximité de cet appareil ou de tout autre appareil électroménager.



## INSTRUCTION IMPORTANT

Veuillez lire les instructions avant toute utilisation.



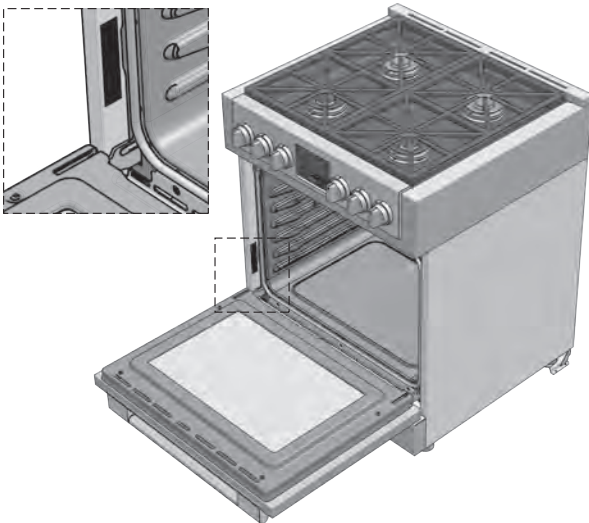
Il est de votre responsabilité d'installer l'appareil correctement. Confiez l'installation de cette cuisinière à un technicien qualifié.



### AVERTISSEMENT

- Respecter les règlements et ordonnances en vigueur.
- Avant l'installation de la cuisinière, noter le modèle et les numéros de série. Les deux numéros se trouvent sur la plaque de données dans la position indiquée dans la figure ci-dessous.

#### POSITION DE LA PLAQUE SIGNALÉTIQUE



Standard National Américain, à la Réglementation Nationale Essence Gaz ANSI Z223.1 – NFPA 54 dernière édition\*\* ou CAN/CGA-149.2 dernière édition\*\*\*.

Vous pouvez demander une copie des standards répertoriés à:

\*\* National Fire Protection Association One Batterymarch Park Quincy, Massachusetts 02269

\*\*\* CSA International 8501 East Pleasant Valley Rd. Cleveland, OH 44131 – 5575

**NOTE:** Cette cuisinière est fabriquée pour fonctionner au gaz naturel\*.

Si elle doit être raccordée au gaz propane/PL, effectuez la conversion en suivant les instructions rapportées dans le kit de conversion gaz fourni avec les explications.

Une canalisation de fourniture de gaz correcte doit être disponible. Voir «Conditions requises fourniture gaz».



### WARNING

**Avant de raccorder le dispositif à la ligne d'amenée du gaz, vérifier que le type de gaz est réglé correctement. Le type de gaz programmé et envoyé de l'usine est indiqué sur la plaque signalétique.**

### Avant de Procéder à l'Installation

- Vérifiez l'endroit où la cuisinière sera installée. La table de cuisson ne doit pas se trouver dans une zone de courants d'air forts, par exemple de fenêtres ou de portes ni près de calorifères ou de ventilateurs.
- L'appareil doit nécessairement être relié à la terre. Voir «Conditions requises électricité».
- Veuillez vous assurer que l'installation électrique est adéquate et conforme à la Réglementation Électrique Nationale ANSI/NFPA 70 – dernière édition\*\* ou à la Réglementation Électrique du Canada, C22.1 – 1982 et C22.2 N° 01982 (ou dernière édition)\*\*\* et à tous les règlements et ordonnances en vigueur localement.
- Assurez-vous que le raccordement de gaz est conforme aux règlements et ordonnances en vigueur localement. En l'absence de règlements locaux, l'installation doit être conforme au

### Installation autocaravane

L'installation de cette table de cuisson doit être conforme aux Normes de Construction et de Sécurité des Habitations, titre 24 CFR, Partie 3280 (jadis la Norme Fédérale pour la Construction et la Sécurité des Autocaravanes; titre 24HUD partie 280); ou lorsque de telles normes ne sont pas applicables, la Norme pour les Installations des Habitations (Emplacements, Communautés et Structures Habitations), ANSI 225.1 - dernière édition ou aux réglementations locales.

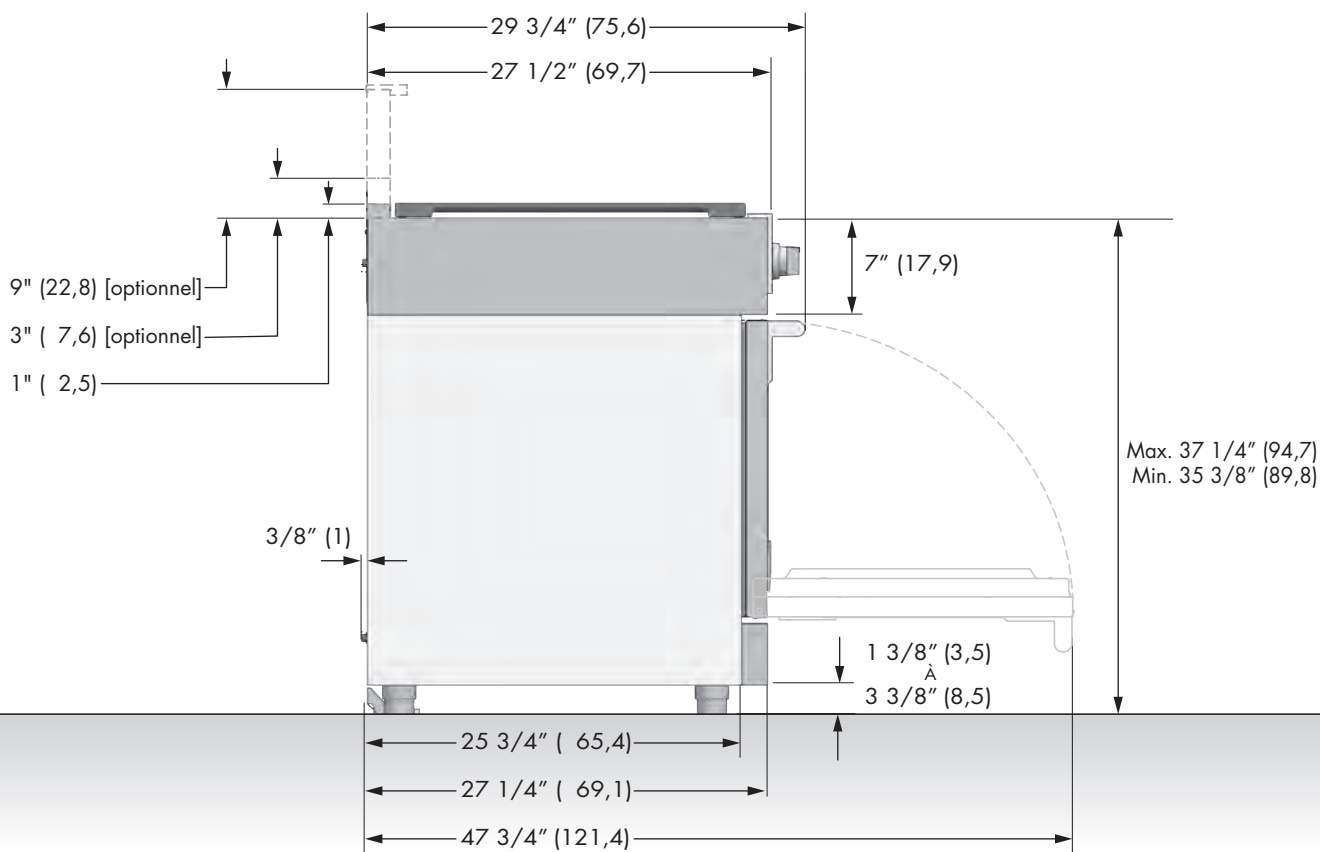
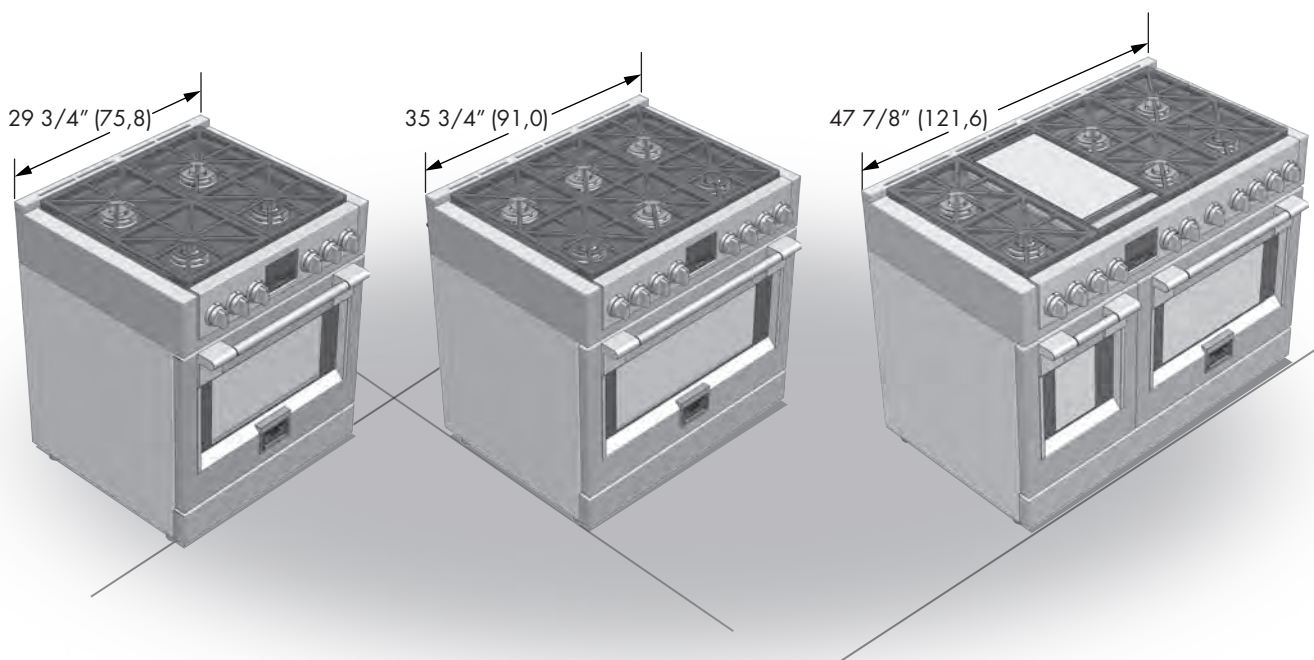
Au Canada, l'installation de cette table de cuisson doit être conforme aux normes en vigueur CAN/CSA-Z240 - dernière édition ou aux réglementations locales.

### Micro-maisons préfabriquées

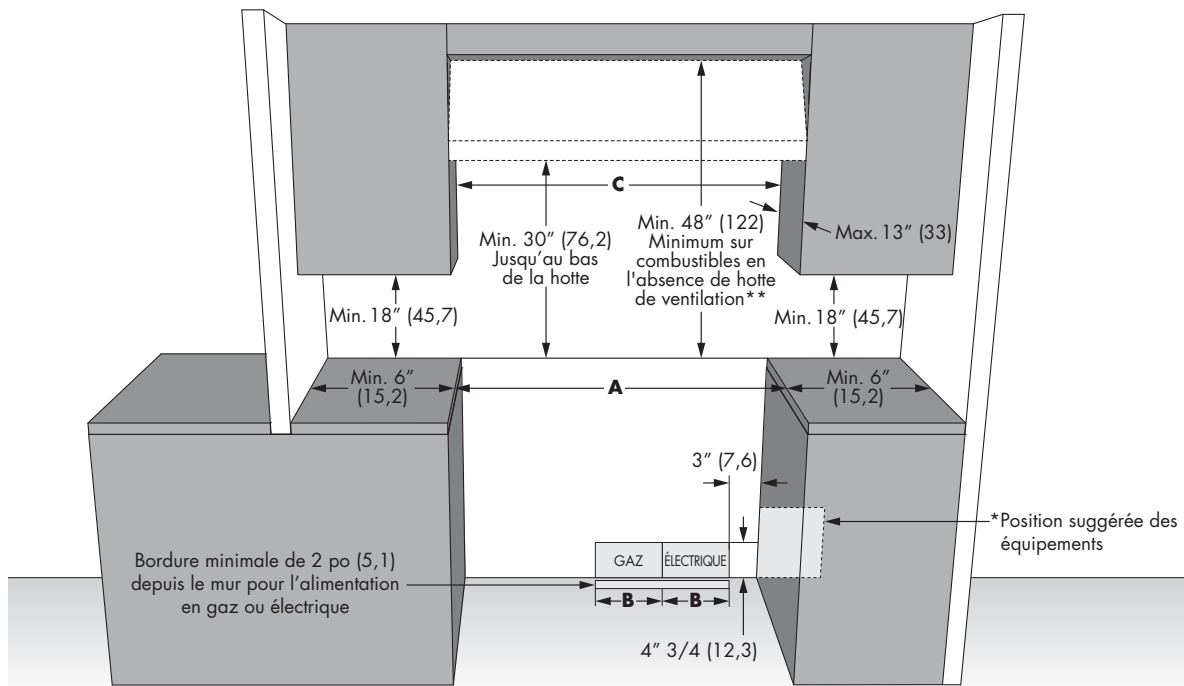
L'installation de ces dispositifs conçus pour micro-maisons préfabriquées doit se faire conformément aux réglementations nationales ou autres ou, à défaut, à la norme en matière de micro-maisons préfabriquées ANSI A119.5.

### DIMENSIONS DU PRODUIT

#### MODÈLES GAMME LARGE



DISPOSITIONS POUR LA DÉCOUPE



\*\* REMARQUE : Assurez-vous que votre installation est également conforme aux codes locaux et nationaux du bâtiment et de prévention contre les incendies.

Si la surface du mur arrière tout entier au-dessus de la cuisinière et au-dessous de la hotte n'est pas composée d'un matériau incombustible, la protection arrière accessoire de 9 pouces doit être utilisée.

\* Consulter les réglementations locales pour les exigences exactes de localisation.

| LARGEUR D'OUVERTURE | A & C      | B         |
|---------------------|------------|-----------|
| Cuisinière 30 po    | 30" (76,2) | 6" (15,2) |
| Cuisinière 36 po    | 36" (91,4) | 7" (17,8) |
| Cuisinière 48 po    | 48" (122 ) | 7" (17,8) |

Remarque: Les distances par rapport aux matières non combustibles n'entrent pas dans le cadre de l'ANSI Z21.1 et ne sont pas certifiées.

La distance par rapport aux matériaux non combustible doit respecter les réglementations locales ou, en l'absence de celles-ci, avec le « National Fuel Gas Code », ANSI Z223.1/ NFPA 54.

Dégagements minimums d'une construction:

Au-dessus de la surface de cuisson [au-dessus de 36 po (91,4 cm)]

- Côtés - 6 po (15,2 cm)
- Avec un dégagement latéral de 6 po (15,2 cm) ou moins, les placards muraux ne mesurant pas plus de 13 po (33 cm) de profondeur doivent se trouver à 18 po (45,7 cm) minimum au-dessus de la surface de cuisson
- Les armoires murales juste au-dessus du produit doivent se trouver à 48 po (122 cm) minimum au-dessus de la surface de cuisson
- Arrière - 0 po avec dossier de 9 po ou étagère supérieure; 0 po avec paroi arrière non combustible.

Sous la plaque de cuisson (36" [91.4 cm] et au-dessous)

- Installation à dégagement nul entre la construction combustible adjacente sous la surface de cuisson et les parties arrière et latérale de l'appareil.

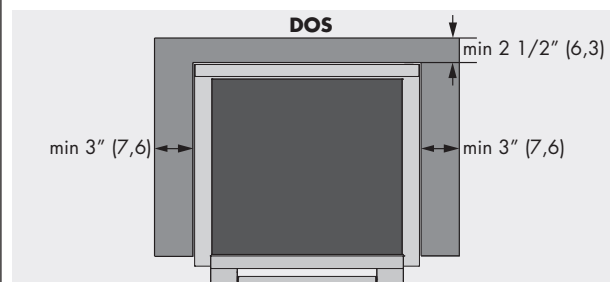
ESPACE SUPPLÉMENTAIRES:

Pour une installation en îlot, maintenir une distance minimum de 6,3 cm (2 ½ po) entre le bord et le dos du comptoir et 7,6 cm (3 po) minimum sur les côtés du comptoir (voir vue de dessus).

Pour une installation sur un îlot, un espace de minimum 12" (30,5 cm) est nécessaire de l'arrière ou des côtés de la cuisinière pour le brûleur.

L'installation de îlot ne fait pas partie de la norme ANSI Z21.1 portée et pas certifié.

INSTALLATION ÉBARBER



Avant de déplacer la cuisinière, protégez tout plancher fini et fixez la (les) porte(s) du four en position fermée pour éviter tout dommage.

### Disposition de hotte d'extraction:

Il est recommandé d'installer ces cuisinières en conjonction avec une hotte à évacuation appropriée en hauteur. En raison de la capacité thermique élevée de cet appareil, une attention particulière doit être prêtée à l'installation de la hotte et des conduits pour s'assurer qu'elle respecte les codes du bâtiment locaux.

Une hotte avec une zone de capture appropriée et capable d'au moins 450 cfm est suggérée pour évacuer efficacement les odeurs, la vapeur et la chaleur. Le choix d'installer une hotte de cfm inférieure ou configurée pour la recirculation peut compromettre l'élimination efficace des facteurs susmentionnés.

Remarque : certains codes de bâtiment locaux / nationaux exigent l'installation de systèmes d'air d'appoint pour les hottes au-dessus d'un certain seuil de cfm (300 cfm est typique).

Il est de votre responsabilité de comprendre et de respecter les exigences locales en matière de gaz, d'électricité et de ventilation où ces appareils sont installés.



### AVERTISSEMENT

Les rideaux d'air ou les hottes de cuisinières qui projettent un courant d'air descendant vers la table de cuisson, ne doivent pas être utilisés avec des appareils à gaz, sauf si la hotte et l'appareil ont été conçus, testés et répertoriés par un laboratoire d'essai indépendant pour pouvoir fonctionner conjointement.

Il faut prévoir les dégagements ci-dessous par rapport aux surfaces horizontales qui se trouvent au-dessus de la cuisinière.

Le non-respect de cette consigne pourrait présenter un risque d'incendie.

- Pour les installations dépourvues de hotte, prévoyez un espace minimum de 48" (122) entre l'appareil et tout élément inflammable situé au-dessus de celui-ci.
- Il est possible d'installer une hotte spéciale à proximité d'éléments horizontaux inflammables dans la mesure où celle-ci dispose d'une fonction de mise en marche automatique.
- Pour obtenir les spécifications relatives aux espaces d'autres installations pourvues d'une hotte, veuillez vous reporter aux instructions fournies avec celle-ci



### ATTENTION

Ces cuisinières pèsent plus de 250 kg. Afin d'éviter tout risque de blessure ou d'endommagement de l'appareil et compte tenu du poids et de la taille de la cuisinière:

**DEUX PERSONNES SONT NÉCESSAIRES POUR UNE INSTALLATION ADÉQUATE DES CUISINIÈRES.**

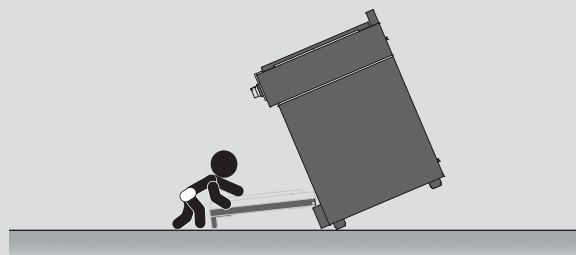
## Instructions d'installation des supports anti-bascules



### AVERTISSEMENT

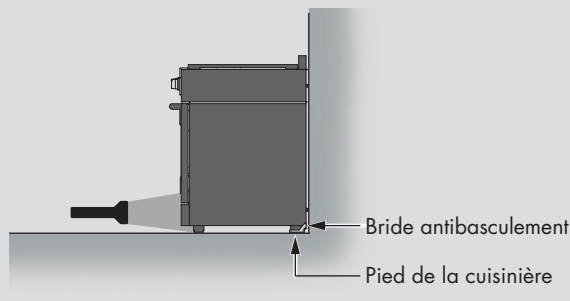
#### Risque de basculement

Un enfant ou une personne adulte peut faire basculer la cuisinière, ce qui peut causer un décès. S'assurer que le dispositif antibasculé est réengagé lorsque la plage est déplacée. Ne pas faire fonctionner la cuisinière si la bride antibasculé n'est pas installée et engagée. Le non-respect de ces instructions peut causer un décès ou des brûlures graves aux enfants et aux adultes.

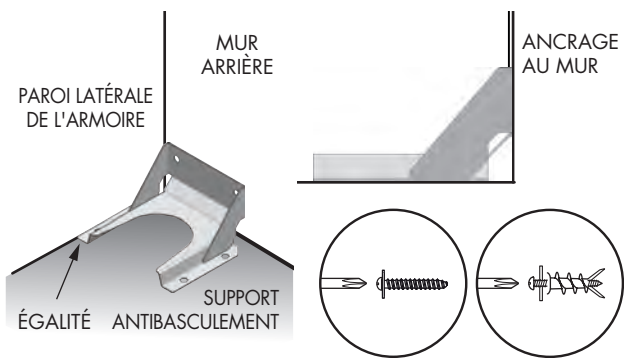


Pour vérifier que la bride antibasculé est bien installée et engagée :

- Faire glisser la cuisinière vers l'avant.
- Vérifier que la bride antibasculé est bien fixée au plancher ou au mur.
- Faire de nouveau glisser la cuisinière vers l'arrière de sorte que le pied de la cuisinière se trouve sous la bride antibasculé.
- Voir les instructions d'installation pour plus de détails.



INSTALLATION DE LA BRIDE ANTI-BASCULEMENT



Pour les constructions en ciment ou béton:  
Vous devez utiliser les éléments fixation appropriés (non fournis). Fixez le support sur le sol et/ou le mur à l'aide des 4 vis à bois (fournies).



Le support anti-basculement devrait être inséré dans l'ouverture de l'équerre antibasculement sur la cuisinière.



## ⚠ AVERTISSEMENT

- **Risque du fait du poids excessif**

Soyez à deux personnes ou plus pour porter et installer la cuisinière. Sinon, vous risquez de vous blesser au dos ou de subir d'autres blessures.

- **Risque de coupure**

Méfiez-vous des bords tranchants et des extrémités du polystyrène lorsque vous portez le produit. Sinon, vous risquez de vous couper ou de vous faire légèrement mal.

**Ne pas boucher le flux d'air de combustion au niveau de l'ouverture de ventilation du four ni au-dessous du panneau frontal inférieur de la cuisinière.** Éviter de toucher les ouvertures de ventilation ou les surfaces voisines car ces surfaces pourraient se réchauffer pendant que le four est en service. L'air frais est indispensable pour une bonne combustion au brûleur.

NE JAMAIS couvrir les fentes, les trous ou les passages du four, ni couvrir une grille de papier aluminium. Ceci obstrue le débit d'air dans le four et peut causer un empoisonnement au monoxyde de carbone. Les doublures en aluminium peuvent aussi causer un risque d'incendie

### CHOIX DE LA POSITION DE LA CUISINIÈRE

Choisissez attentivement l'emplacement d'installation de la cuisinière.

La cuisinière doit être positionnée pour être utilisée dans la cuisine, mais loin des courants d'air.

Une porte ou une fenêtre ouvertes, l'air mis en mouvement par les ventilateurs de chauffage/climatisation peuvent causer des courants d'air forts.

## ⚠ NOTE IMPORTANTE

Si vous installez la cuisinière contre une surface combustible, veillez à prévoir un minimum de rehausse.

Respectez toutes les distances par rapport aux surfaces combustibles qui sont indiquées dans les pages précédentes

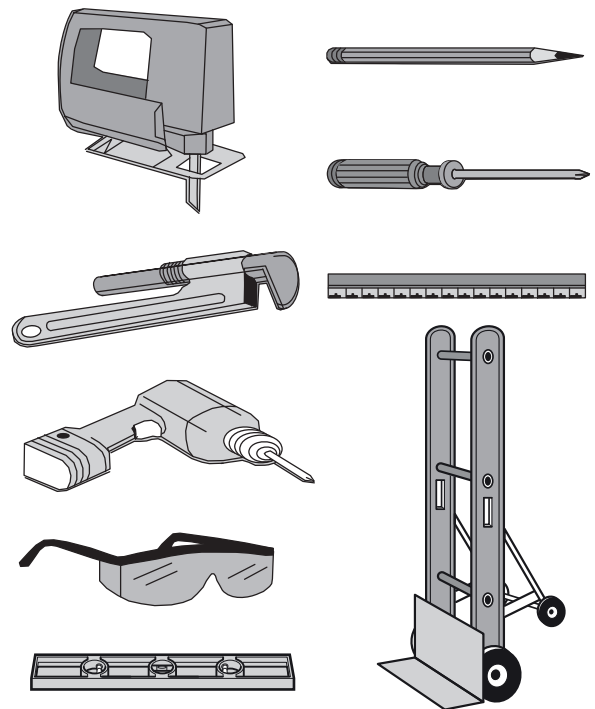
Avant de déplacer la cuisinière, protégez le sol et fixez la porte du four en position fermée afin de prévenir tout dommage.

Évitez absolument de soulever ou de porter la cuisinière en la tenant par la poignée de la porte.

Pour éliminer le risque de brûlure ou d'incendie à cause d'une surchauffe de la surface des unités, évitez de placer une armoire de rangement au-dessus de l'unité. Si vous avez une armoire au-dessus de la cuisinière, vous pouvez réduire le risque en installant à une certaine distance au-dessous de la partie inférieure de l'armoire un écran de protection qui projette horizontalement.

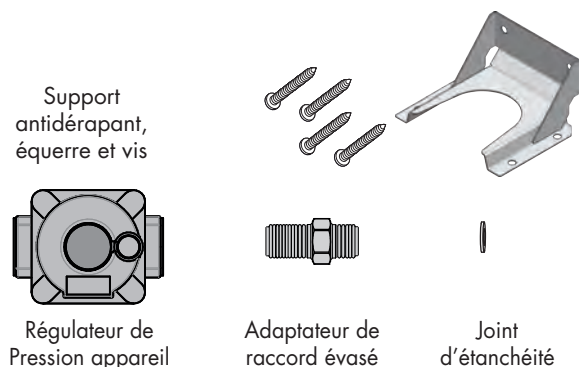
Toutes les ouvertures à travers le plancher ou le mur où la cuisinière sera installée doivent être scellées.

### LES OUTILS DONT VOUS AUREZ BESOIN



Avant de commencer l'installation, enlevez les matériaux d'emballage et les manuels d'explication sur la table de cuisson; puis retirez du manuel d'explication, les instructions concernant l'installation et lisez-les avec attention.

### MATÉRIEL FOURNI



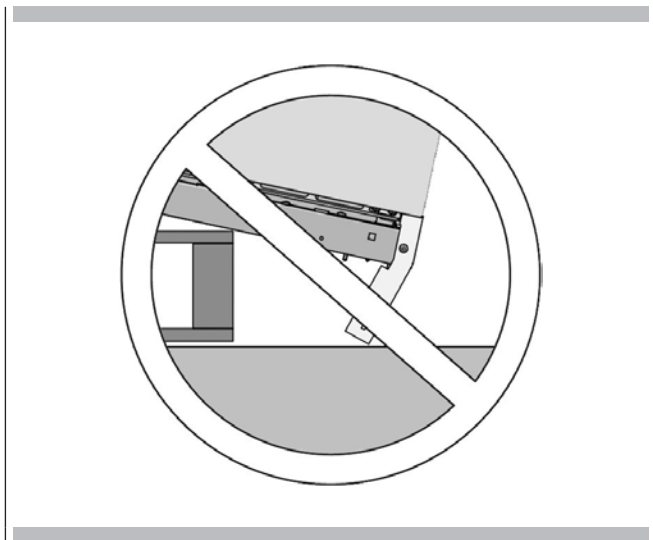
### MATÉRIEL FOURNI (non fourni)



Tuyau métallique flexible d'alimentation de gaz agréé CSA de 1,58 cm de diamètre et d'une longueur maximale de 1,5 m (5 pieds) (Longueur maximum de 90 cm (3 pieds) dans le Massachusetts uniquement)

NOTE: procurez-vous un tuyau flexible neuf, n'utilisez pas un tuyau ayant déjà été utilisé.

Ne faites pas basculer la cuisinière sur le côté lors de l'installation des pieds. Les côtés ne sont pas conçus pour supporter le poids de la cuisinière et se plient. Tout dommage résultant d'un basculement ne sera pas couvert par la garantie. Suivez la méthode décrite dans le manuel d'installation fourni.



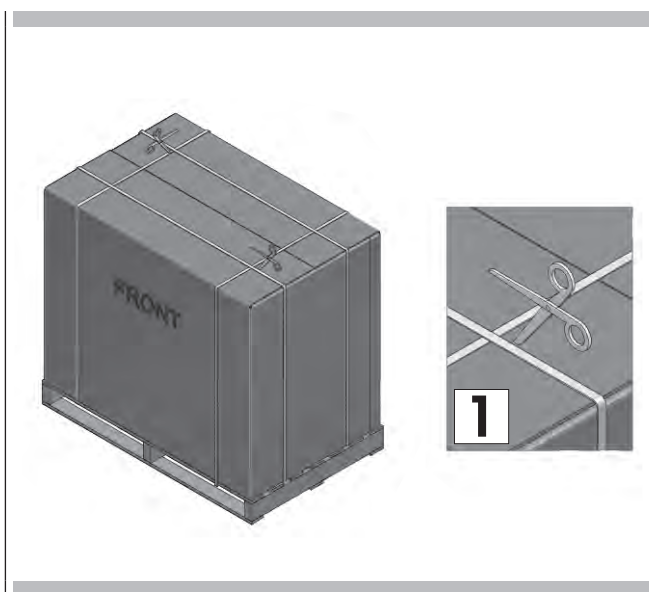
**ÉTAPE 1**

Coupez les rubans (1) et retirez les instructions d'installation du dessus de la cuisinière et lisez-les attentivement avant de commencer.



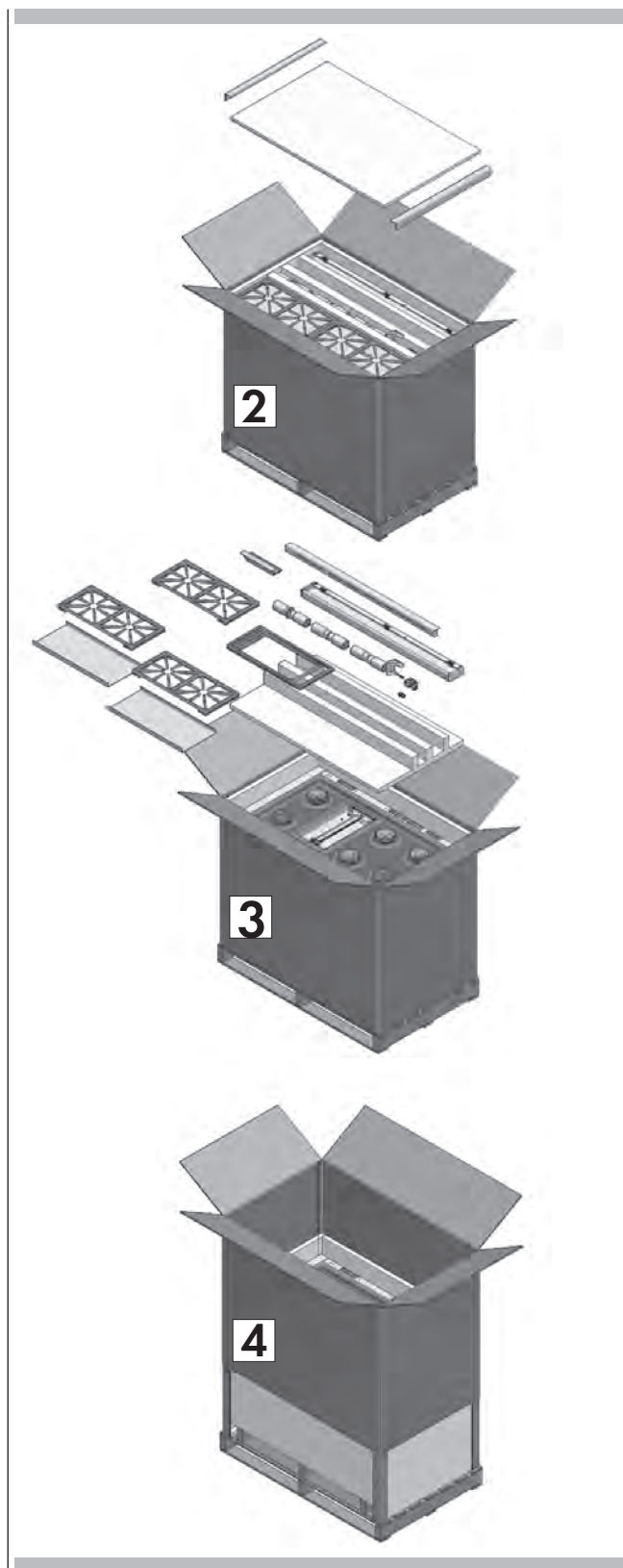
**ATTENTION**

Tenez-vous à distance. Les extrémités des bandes coupées pourraient se retourner contre vous.



**ÉTAPE 2**

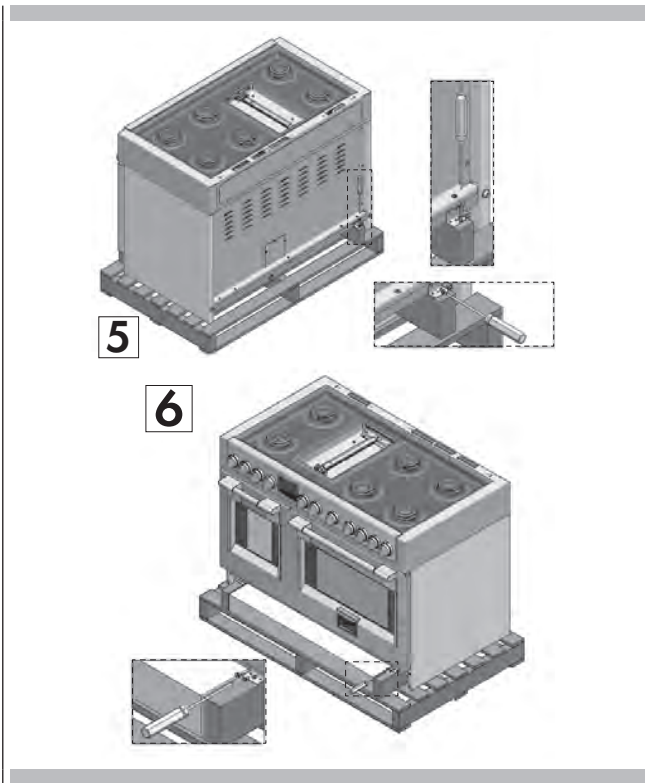
Ouvrez le dessus (2) et retirez les accessoires (3), puis soulevez le fourreau de carton (4).





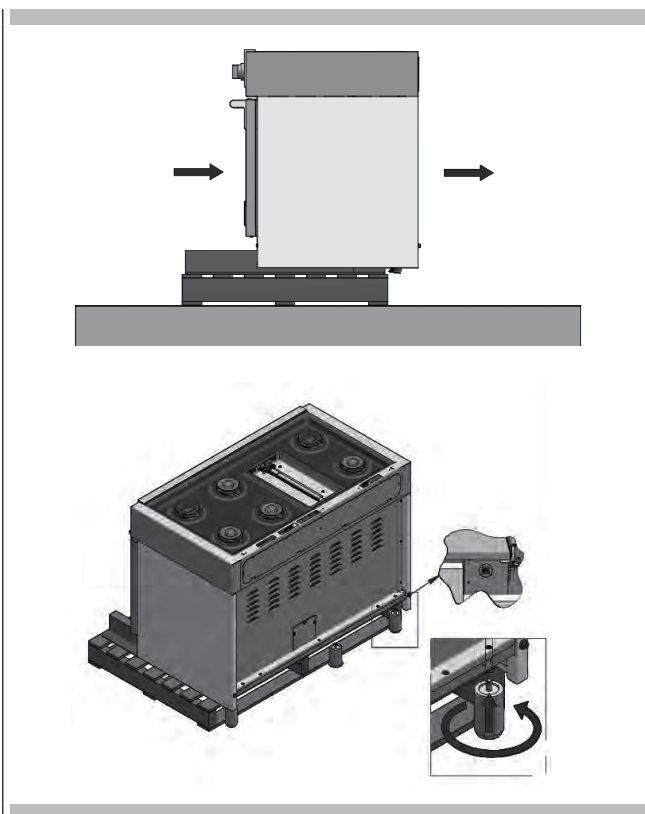
**ÉTAPE 3 (pour la gamme 48" uniquement)**

Retirez le renfort de bois (5) et les supports de fixation avant en métal (6).



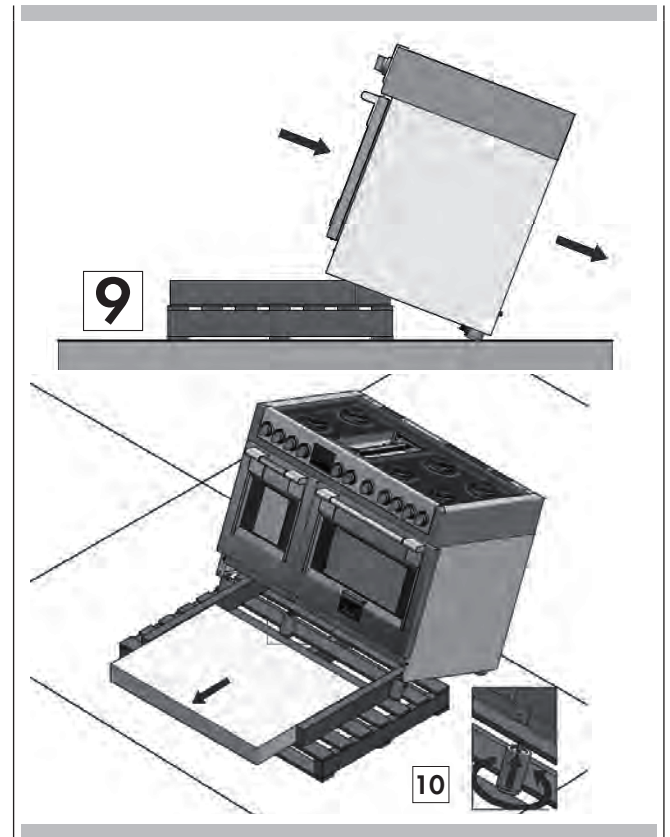
**ÉTAPE 4**

Faites glisser la cuisinière juste assez pour permettre aux pieds arrière de prendre appui.



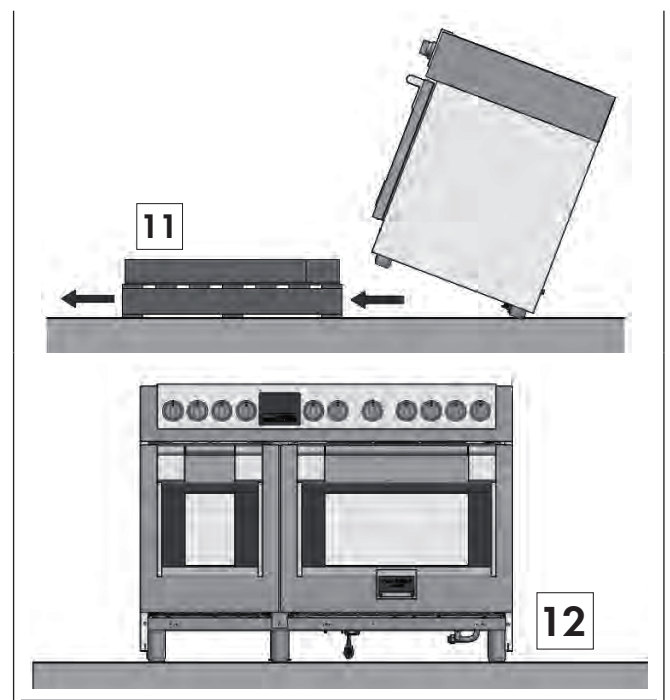
**ÉTAPE 5**

Faites glisser vers l'arrière un peu plus (9), en plaçant les pieds arrière sur le sol, puis montez les pieds avant (10) avec cette position inclinée supportés par les pieds arrière et le patin de protection.



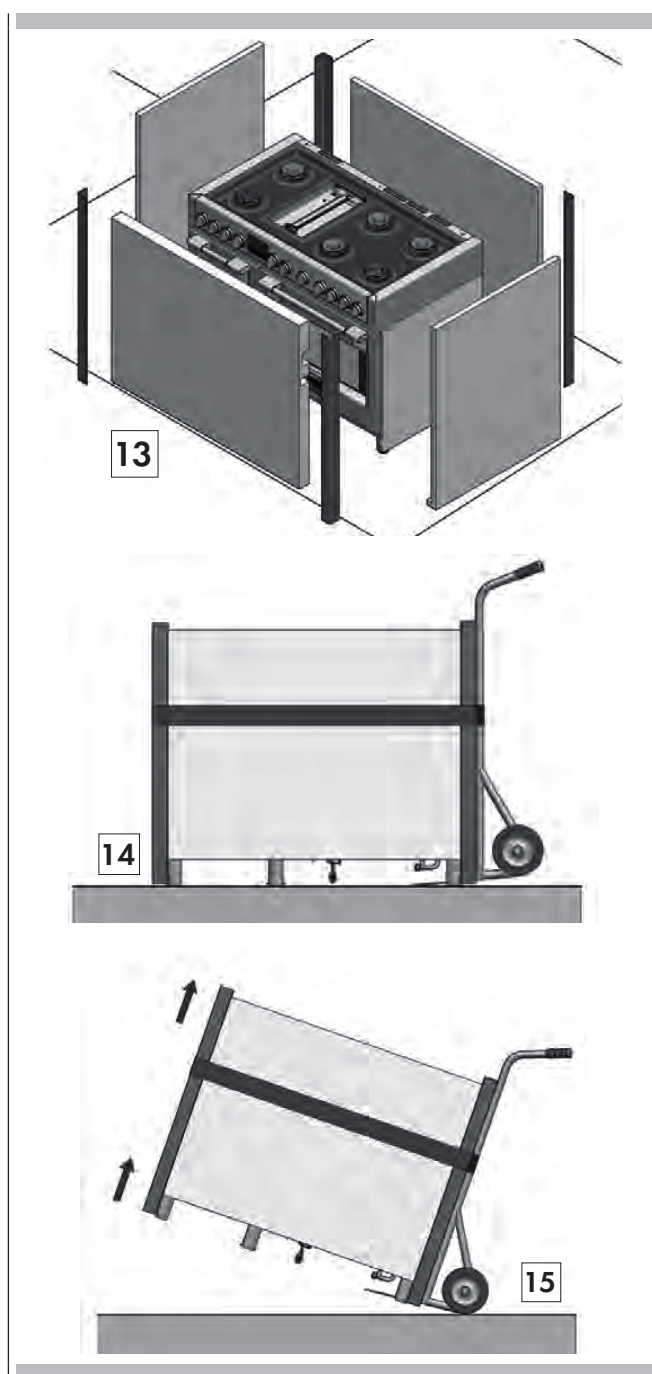
**ÉTAPE 6**

Retirez la base tout en soutenant l'avant de la cuisinière (11) et abaissez vers le sol d'une manière contrôlée (12).



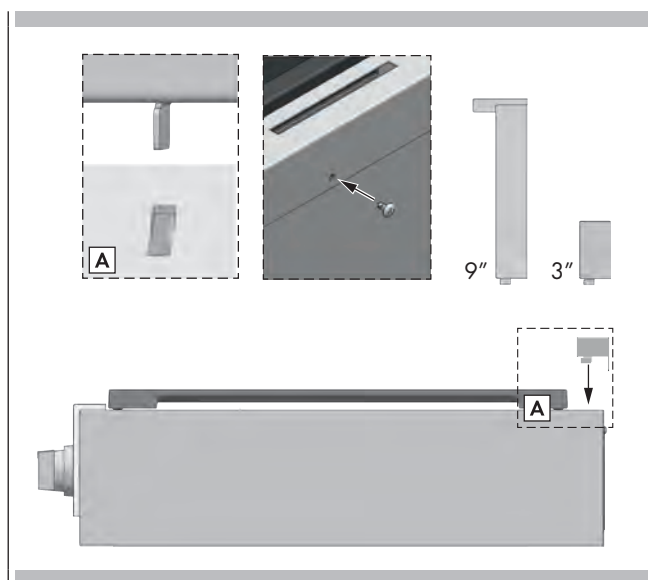
## ÉTAPE 7

Dans ce cas, il est nécessaire de déplacer la cuisinière ; en utilisant l'emballage en mousse et/en carton (13), replacez-les autour de la cuisinière de façon stratégique pour protéger les surfaces finies de la cuisinière d'un contact avec le transpalette et tous les rubans autour de l'appareil (14). Dans le cas de cuisinières plus petites, vous pouvez utiliser cette technique pour décoller la cuisinière du patin et installer les pieds (15). Inclinez la cuisinière pour abaisser les roues du transpalette et décoller du patin anti-dérapant. Placez les patins de la machine sur le sol sur les côtés gauche et droit de l'ouverture lorsque vous placez l'appareil dans la position finale pour protéger le sol. Le(s) porte(s) du four ajoute(nt) au poids global de la cuisinière, vous pouvez trouver utile de retirer les portes lorsque vous déplacez la cuisinière sur une distance importante. Référez-vous aux manuels d'instruction pour savoir comment retirer et réinstaller les portes.



## ÉTAPE 8

Installez la protection arrière (si fournie) à l'aide des trois vis à l'arrière. Dans certains cas, ce sera une protection arrière accessoire qui a été commandée séparément plutôt que celle qui était incluse avec la cuisinière. Référez-vous aux instructions incluses avec tout accessoire pour des exigences d'installation spécifique.



## ÉTAPE 9

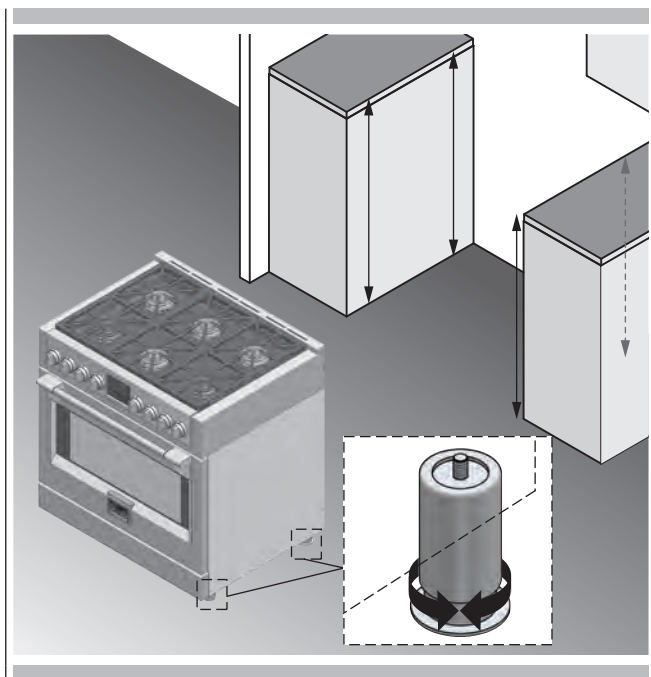
Après avoir terminé les branchements électriques et de gaz (voir les instructions incluses), mesurez les quatre coins dans la zone découpée pour vérifier si le sol est à niveau. Réglez les pieds de mise à niveau à la hauteur désirée et assurez-vous que la cuisinière est à l'horizontale. Tournez la section inférieure de chaque pied en sens anti-horaire pour élever le pied et dans le sens horaire pour l'abaisser.



## IMPORTANT

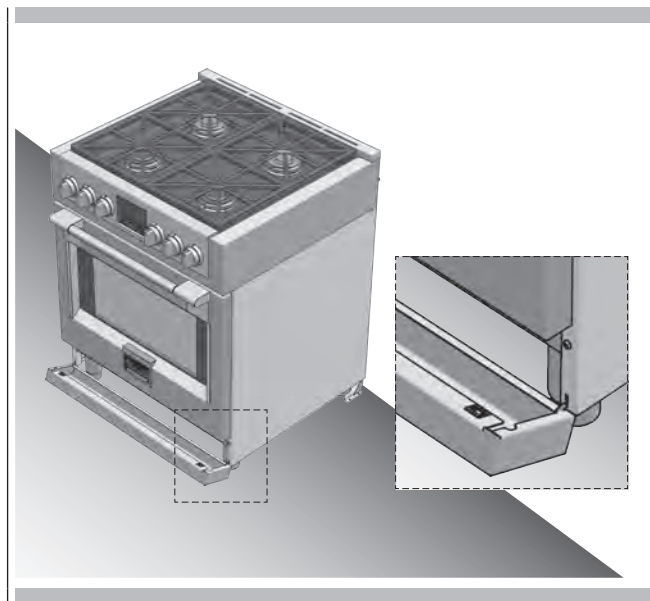
Lorsque l'appareil est mis sous tension pour la première fois, il faut effectuer un test du verrou de la porte de sécurité. Assurez-vous que les portes sont réinstallées si elles ont été retirées pour faciliter le mouvement de la cuisinière avant de mettre l'appareil sous tension. N'ouvrez pas la porte du four et ne tentez pas d'utiliser le four tant que vous n'êtes pas sûr que le test a été effectué avec succès. L'ouverture ou la fermeture de la porte pendant le test pourrait provoquer des dommages au mécanisme du verrou. Référez-vous aux manuels d'instruction pour plus de détails si nécessaire.

Assurez-vous que le sol est protégé. Faites glisser l'appareil en place en vous assurant d'engager le support anti-inclinaison.



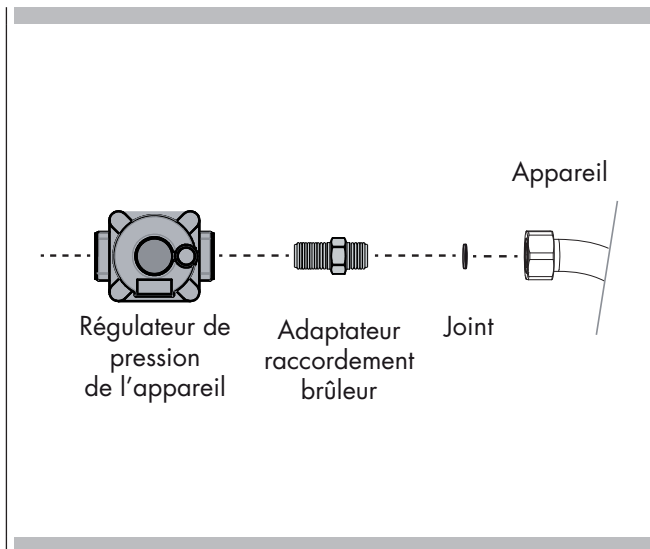
## ÉTAPE 10

Accrochez les languettes en bas du coup de pied dans les emplacements sur les deux côtés du cadre et faites le pivoter jusqu'à ce que les aimants en haut du coup de pied établissent le contact et mettez-la en place de façon ferme.



**LE RACCORDEMENT À LA CONDUITE DE GAZ DOIT ÊTRE EFFECTUÉ PAR UN TECHNICIEN D'ENTRETIEN QUALIFIÉ OU UN INSTALLATEUR DE GAZ.**

La vérification de fuites de l'appareil doit être effectuée par l'installateur selon les instructions données.  
 Vous devez installer les pièces de raccordement fournies indiquées ici au collecteur principal de gaz de l'appareil. Les problèmes résultant de la non application de ceci ne seront pas couverts par la garantie.  
 Ne pas installer le régulateur de pression en contre-courant car le gaz ne passera pas correctement. Vérifier que la flèche à l'arrière pointe en direction du flux de gaz.  
 Les pièces nécessaires pour le raccordement à l'alimentation en gaz sont de la responsabilité de l'installateur/du propriétaire

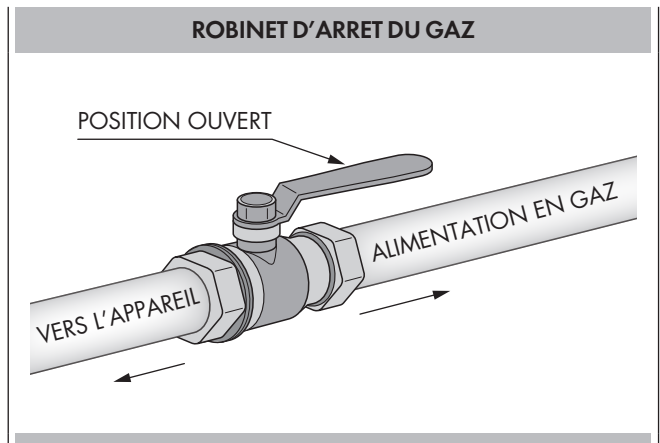


**ATTENTION**  
 Utiliser du ruban Téflon adapté pour les applications avec gaz sur tous les raccords filetés.  
 Ne pas trop serrer le raccord au collecteur. Cela pourrait endommager le joint et causer des fuites.

**AVERTISSEMENT**  
 Si la conduite fournissant le régulateur de pression de l'appareil a une pression de plus de 14 pouces C.E. (pour n'importe quel gaz), il est nécessaire d'installer un régulateur externe sur la conduite de gaz, en avant du régulateur de l'appareil, afin de réduire la pression à 14 pouces C.E. ou moins. Si vous ne le faisiez pas, vous risqueriez des dysfonctionnements de l'appareil et des dommages.

**Notes importantes pour le raccordement à la canalisation du gaz**  
 L'appareil et son robinet individuel de fermeture du gaz doivent être débranchés des canalisations de gaz durant toute vérification de pression de ce système, à des pressions de test allant au-delà de 1/2 psi (3,5 kPa). Vous devez également isoler l'appareil des canalisations de gaz en fermant le robinet individuel de fermeture du gaz, lors de toute vérification de

pression du système de canalisation de gaz à des pressions de test égales ou inférieures à 1/2 psi (3,5 kPa).



Toutes les canalisations, sauf celles spécifiées diversement, doivent utiliser du Filetage Conduite National normal (N.P.T.). Pour tous les raccordements de conduite, utilisez un compound de joint de conduite homologué résistant à l'action du gaz PL.

Cet appareil est conçu pour être utilisé avec le régulateur de pression du gaz qui vous est fourni. Il doit être installé sur la canalisation, en avant de l'entrée du tuyau de gaz. Il est préréglé pour fonctionner au gaz naturel et doit être converti, comme décrit en "Conversion Gaz", s'il doit fonctionner au gaz PL.

Cet appareil est conçu pour fonctionner à une pression de 5 pouces de colonne d'eau sur le gaz naturel ou s'il fonctionne au gaz PL (propane ou butane) à une pression de 10 pouces de colonne d'eau. Bien s'assurer que cet appareil est livré et équipé avec le type de gaz pour lequel il a été conçu. Cet appareil a été réglé en usine pour fonctionner au gaz naturel. Si pour une raison ou une autre, vous deviez utiliser un autre type de gaz, n'essayez pas de faire fonctionner la cuisinière avec le gaz différent mais appelez un technicien spécialisé qui effectuera tous les réglages de conversion décrits en "Conversion Gaz".

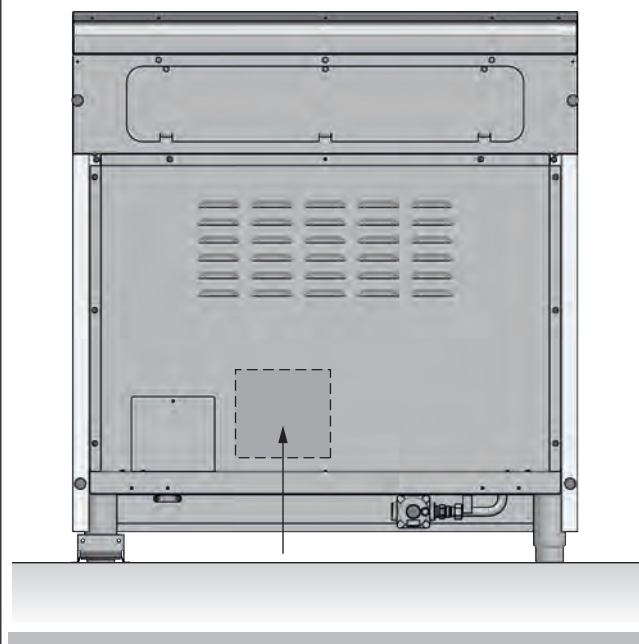
Le gaz naturel doit arriver au régulateur de pression de l'appareil à une pression de conduite entre 6 et 14 pouces de colonne d'eau ou si converti au gaz PL entre 11 et 14 pouces.

| EXIGENCES D'ALIMENTATION EN GAZ |  |
|---------------------------------|--|
| GAZ NATUREL                     | CE (Colonne d'eau)                                       |
| Indicateur de Pression          | 5 po (12,5 mb)   |
| Pression min. de la conduite    | 6 po (15 mb)   |
| Pression max. de ligne          | 14 po CE (34,9 mb),<br>0,5 lb/po <sup>2</sup> ( 3,5 kPa) |

| GAZ PL                       | CE (Colonne d'eau)                                      |
|------------------------------|---|
| Indicateur de Pression       | 10 po (25 mb)   |
| Pression min. de la conduite | 11 po (27,4 mb)   |
| Pression max. de ligne       | 14 po CE (34,9 mb),<br>0,5 lb/po <sup>2</sup> ( 3,5kPa) |



## ENDROIT DE LA PLAQUE DE GAZ

**IMPORTANT****NE JAMAIS RÉUTILISER DE VIEUX RACCORDS POUR INSTALLER CET APPAREIL.**

Afin de limiter les fuites de gaz possibles, appliquez un ruban adhésif téflon ou un compound de filetage homologué pour l'emploi avec du gaz naturel ou du gaz PL sur tous les raccords filetés.

Appliquez un fluide non-corrosif de détection de fuite sur tous les joints et raccords de la conduite de gaz entre le robinet de fermeture du gaz et l'entrée de la table de cuisson. Vérifiez qu'il n'y a pas de fuites! Des bulles qui se forment autour des joints et des raccords indiquent la présence d'une fuite. Dans ce cas, fermez le robinet de fermeture du gaz, serrez les raccords, ouvrez à nouveau le robinet de fermeture et vérifiez s'il y a encore des fuites. Ne jamais vérifier s'il y a des fuites avec une flamme directe.

**NE JAMAIS SERRER À PLUS DE 35 ft lbs (pieds livre) DE TORSION.****CAUTION**

N'essayez pas de raccorder le connecteur flexible directement à un tuyau fileté extérieur.

Il est nécessaire d'utiliser des adaptateurs évasés.  
Pour Massachusetts Installations :

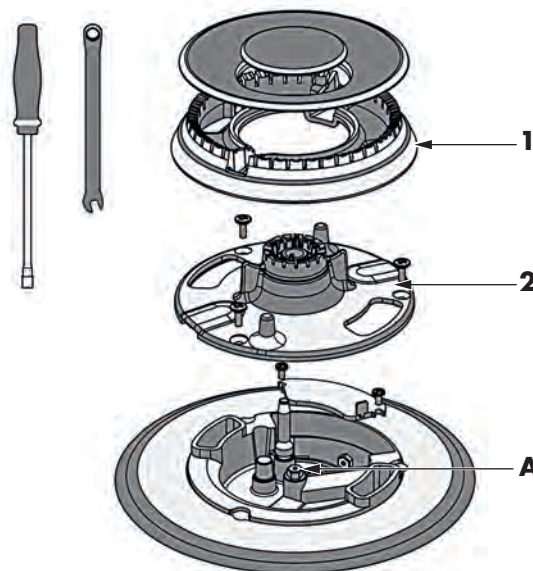
1. La vanne de fermeture doit être un robinet à gaz à poignée en T.
2. Le connecteur gaz flexible ne doit pas avoir plus de 36 pouces de long.
3. L'installation dans une chambre ou une salle de bains n'est pas permise si l'unité n'est pas à évent direct.

**Vérification de la Pression**

Vous devez isoler l'appareil des canalisations de gaz en fermant le robinet individuel de fermeture du gaz lors de tout test de pression du système de canalisation de gaz à des pressions de test égales ou inférieures à ½ psig (3,5kPa). Cet appareil et son robinet individuel de fermeture du gaz doivent être débranchés des canalisations de gaz durant tout test de pression de ce système à des pressions de test allant au-delà de ½ psig (3,5kPa). Lorsque vous vérifiez la fonction du régulateur de l'appareil, bien vous assurer que le gaz naturel est fourni à une pression entre 6 et 14 pouces de colonne d'eau et si converti au gaz PL entre 11 et 14 pouces.

LE TEST DE PRESSION SOIT ETRE EFFECTUE EN EMPLOYANT LA ZONE DE FILETAGE DE L'INJECTEUR

## VUE EXPLOSÉE DU BRÛLEUR

**Méthode de Test de Pression**

- Enlevez la grille et le chapeau du brûleur (1).
- Enlevez le diffuseur aluminium de gaz (2).
- Enlevez les injecteurs temporaires (A).
- Connectez l'instrument de test sur la zone de filetage du porte-injecteur (M6x0,75).
- Vérifiez si la table de cuisson a une pression correcte.
- Fixez l'injecteur enlevé pour le test et remplacez les pièces dans leur bonne position.

## Raccordement du Gaz

- Taraudez le régulateur de pression de l'appareil à l'aide des deux extrémités mâles de 1/2" en dotation avec cet appareil.
- Assemblez le régulateur de pression aux filetages d'entrée du tuyau de gaz avec le joint en dotation. Sur le régulateur, vous pouvez voir une flèche indiquant le bon sens de circulation du gaz. Assurez vous que le régulateur de l'appareil est bien installé avec la flèche pointée vers l'entrée du tuyau de gaz;
- Raccordez au tuyau de gaz, un robinet de fermeture qui soit facile d'accès pour ouvrir ou fermer l'arrivée de gaz à l'appareil.
- Installez un emmanchement entre le régulateur et le robinet de fermeture pour compléter le raccordement.
- Bien vérifier que tous les joints de raccordement sur la conduite de gaz sont étanches.
- Une fois le raccordement à la table de cuisson effectué, bien vérifier l'alignement des soupapes pour être sûr que le tuyau n'a pas bougé.

**AUTRES POSSIBILITÉS DE RACCORDEMENT DE L'APPAREIL À UNE CONDUITE DE GAZ UN TECHNICIEN D'ENTRETIEN QUALIFIÉ OU UN INSTALLATEUR FOURNISSEUR DE GAZ DOIVENT EFFECTUER LE RACCORDEMENT DU GAZ. La recherche de fuites possibles sur l'appareil doit être réalisée par l'installateur selon les instructions données.**

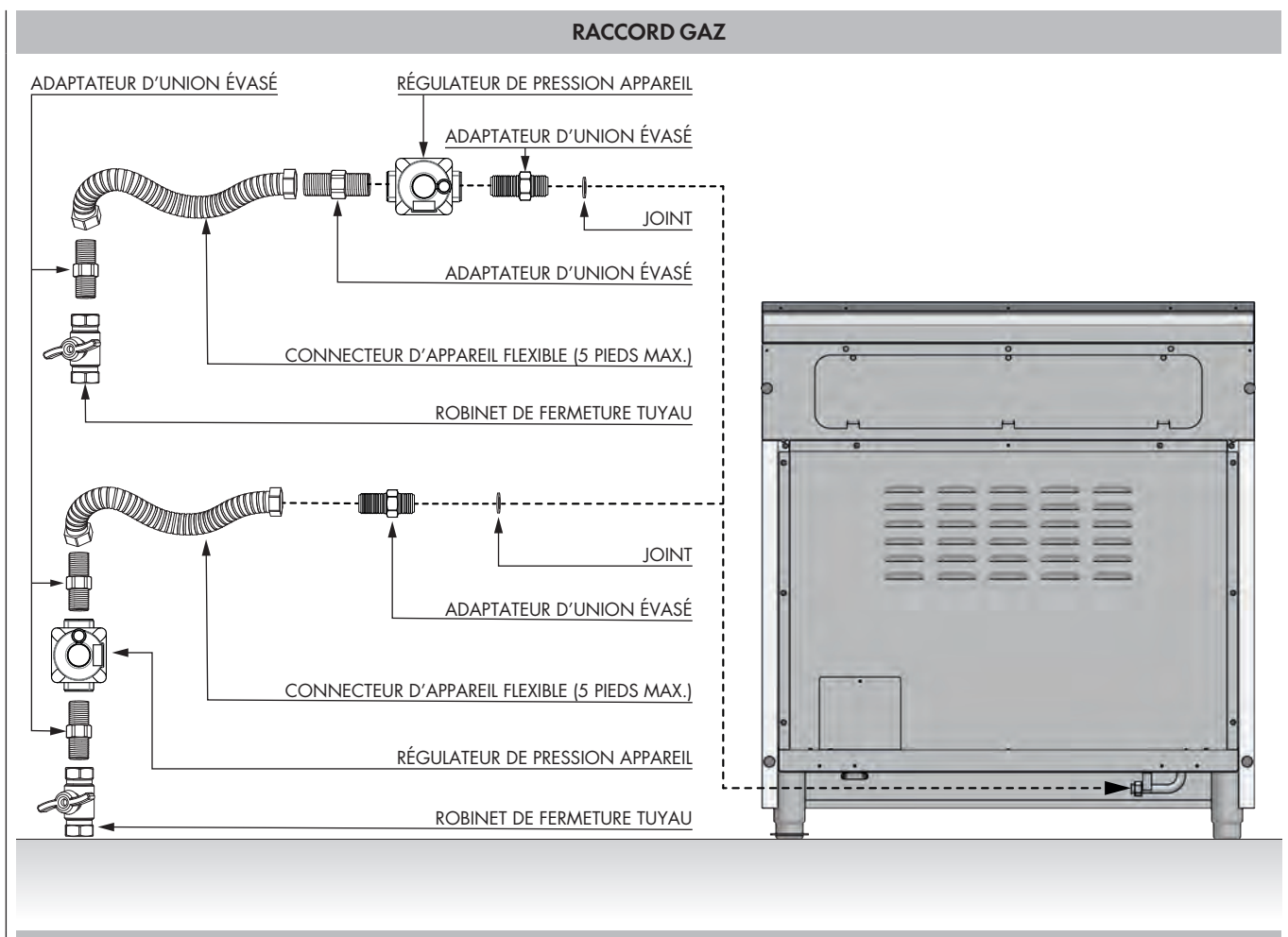
Vous pouvez utiliser un connecteur d'appareil en métal flexible récemment certifié A.G.A pour raccorder cet appareil à la conduite de gaz. Le connecteur doit avoir un diamètre interne d'au moins 1/2 NPT nominal et n'être pas plus long que 5 pieds. Il faut un adaptateur raccord évasé de 1/2" NPT x 1/2" à chaque extrémité du connecteur flexible. Si vous utilisez un connecteur flexible, veillez à ce que le régulateur de pression de l'appareil ainsi que le robinet de fermeture soient solidement raccordés à une autre conduite rigide permanente (la conduite de gaz ou le tuyau de l'appareil) de façon à être physiquement fixe.

**ATTENTION**

N'essayez pas d'attacher directement le connecteur flexible à un filetage de tuyau externe. Le branchement requiert des adaptateurs de raccord évasés

Pour des installations Massachusetts:

1. Le robinet de fermeture doit être un robinet de gaz à «T»
2. La longueur du connecteur de gaz flexible ne doit pas dépasser 36 pouces
- 3 N'est pas approuvé pour être installé dans des chambres ou une salle de bain sauf si la pièce est ventilée directement.





## Conversion de l'Appareil pour Fonctionner au Gaz PL

### AVERTISSEMENT

La conversion au gaz propane doit être effectuée par UN TECHNICIEN D'ENTRETIEN AUTORISÉ (ou un autre centre autorisé) selon les instructions du fabricant et les normes et réglementations des autorités de juridiction. Le non-respect de ces instructions peut entraîner des blessures graves ou des dommages à la propriété. Le centre autorisé ayant effectué la conversion s'en assume la responsabilité.

### ATTENTION

Avant de procéder à la conversion, couper l'alimentation en gaz de l'appareil avant de couper l'alimentation.

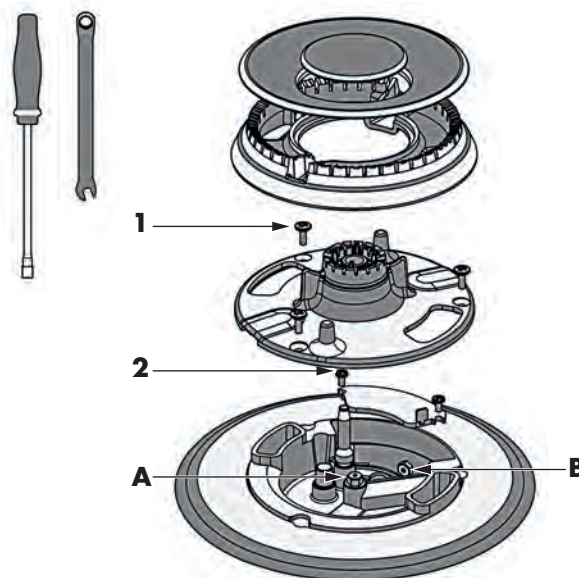
Cet appareil a été prédisposé en usine pour fonctionner au gaz naturel. Pour le convertir au gaz PL (propane ou butane), vous devez effectuer chacune des modifications suivantes:

Étiquette de conversion de gaz (aluminium) à placer à l'arrière de l'appareil, en proximité de la plaque signalétique, à conversion effectuée;

### Remplacez un injecteur (brûleur avec deux anneaux de flamme)

1. Enlevez les grilles et les bagues de brûleur
2. Enlevez le diffuseur de gaz en aluminium
3. Enlevez les trois vis du diffuseur de gaz pour cuisson douce (1)
4. Enlevez les deux vis du couvercle de l'injecteur (2)
5. Desserrez l'injecteur (A) en tournant la clé à douille de 9-32" (7 mm) dans le sens inverse des aiguilles d'une montre
6. Desserrez l'injecteur (B) en tournant la clé polygonale de 9-32" (7 mm) dans le sens inverse des aiguilles d'une montre
7. Installez les injecteurs fournis avec les appareils sur le brûleur approprié. Les injecteurs ont un petit numéro gravé sur le côté, ces chiffres codent le diamètre de l'orifice et l'emplacement correct du brûleur (consulter les illustrations à la section "Position des injecteurs").
8. Tournez dans le sens des aiguilles d'une montre pour serrer (couple de serrage 15 à 20 inch-lbs)
9. Remplacez les pièces suivantes dans l'ordre inverse
10. Gardez les injecteurs enlevés des appareils pour un usage postérieur.

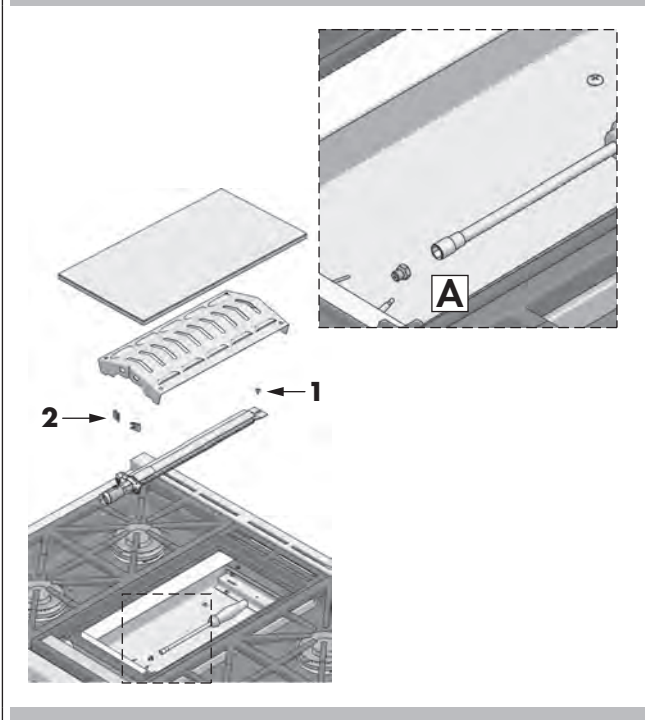
### VUE EXPLOSÉE DU BRÛLEUR



### Remplacer l'injecteur (grille)

1. Enlever la plaque de la grille.
2. Enlever le couvercle du brûleur.
3. Enlever la vis de fixation du brûleur (1).
4. Enlever les ressorts (2) du thermocouple et l'injecteur pour faire tourner le brûleur.
5. Enlever l'injecteur (A) en utilisant un tourne-écrou 9-32" (7 mm) dans le sens des aiguilles d'une montre.
6. Placer l'injecteur fourni avec cet appareil. L'injecteur a un petit nombre imprimé sur le côté, ce nombre correspond au diamètre de l'orifice.
7. Tourner dans le sens des aiguilles d'une montre pour serrer (serrer à un moment de 15 à 20 inch-lbs.)
8. Remplacer toutes les pièces en suivant l'ordre inverse.
9. Garder les injecteurs enlevés de l'appareil pour une utilisation future.

## VUE EXPLOSÉE DU BRÛLEUR



Procéder à la conversion du régulateur de pression en prenant note de la position LP/Propane pour achever la conversion.

Après le remplacement des injecteurs, réglez la flamme des brûleurs (voir "Réglage de la flamme basse"). Vérifiez l'apparence de chaque flamme des brûleurs sur les réglages HI-LO, si la flamme semble trop grande ou trop petite, vérifiez si les étapes ont bien été suivies correctement.

### Conversion des Appareils pour Une Utilisation avec Gaz Naturel

Si les appareils devaient être convertis pour une utilisation avec le gaz naturel, il faut effectuer chacune des modifications suivantes.

1. Commuter le régulateur de pression à la position NG conformément aux indications de la section "Conversion du régulateur de pression".
2. Remplacez tous les injecteurs suivant l'étape décrite dans les pages précédentes, observez le chiffre gravé sur le côté, ce chiffre code le diamètre de l'orifice et l'emplacement correct du brûleur (consulter les illustrations à la section "Position des injecteurs").
3. Ajustez la flamme du brûleur (voir "Réglage de la flamme").

Vérifiez l'apparence de chaque flamme de brûleur sur les réglages HI-LO, si la flamme semble trop grande ou trop petite, vérifiez que les étapes ont bien été suivies correctement.

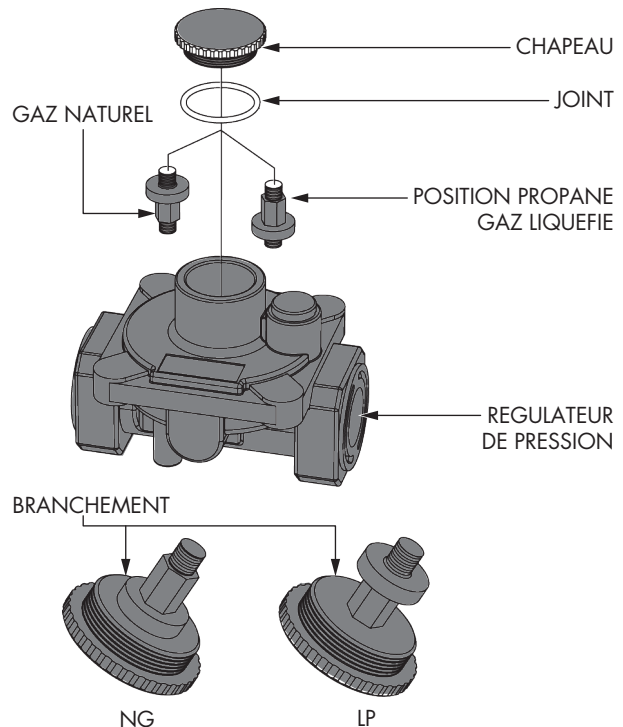
### Conversion du régulateur de pression

Le dispositif est conçu pour être utilisé avec du gaz NG ou LP. Le régulateur de pression de gaz est fourni. Il doit être installé sur la ligne d'amenée de gaz devant l'entrée du collecteur. Il est pré-réglé pour être utilisé avec le gaz indiqué sur l'étiquette du dispositif fourni avec l'appareil. Pour l'utilisation avec un gaz différent, il est nécessaire de convertir le dispositif.

**Pour la conversion du régulateur de pression, suivez les instructions ci-dessous:**

- Déconnectez tous les branchements électriques, au disjoncteur principal ou à la boîte de fusible.
- Fermez l'alimentation de gaz à la table de cuisson en fermant manuellement le robinet de retenue.
- Ajustez le régulateur de pression, en suivant les instructions (voir figure)
  1. Dévissez le couvercle du régulateur.
  2. Dévissez la fiche d'alimentation de conversion en plastique du chapeau tournez et revissez (grande section retirée du chapeau pour gaz liquéfié et contre le chapeau pour le gaz naturel) (voir figure).
  3. Remplacer le bouchon du régulateur en veillant à ce que le joint soit en place.

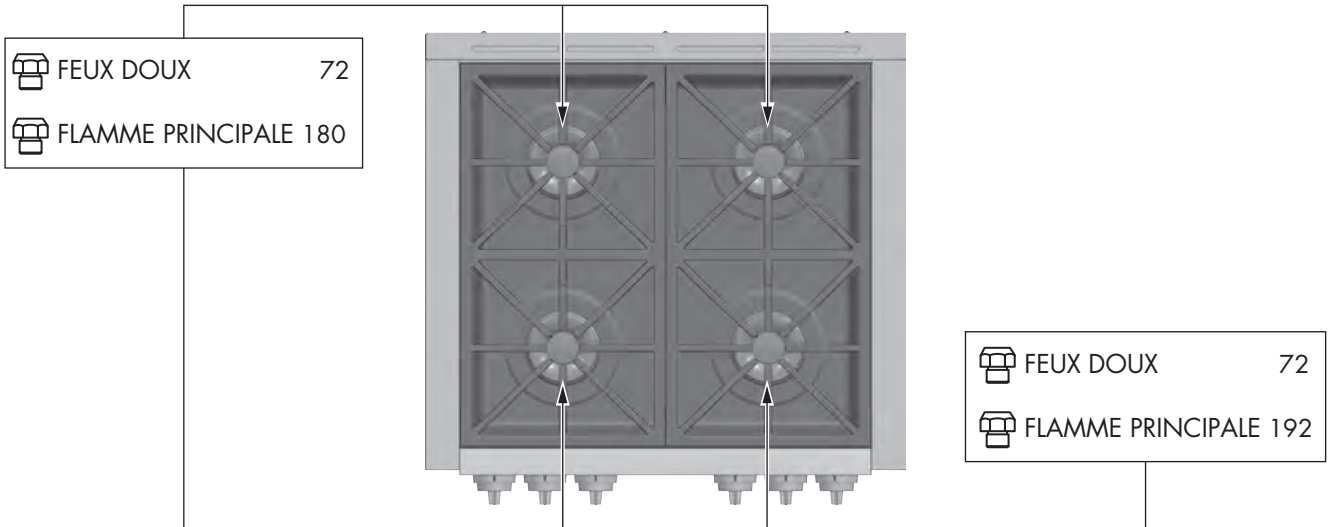
## RÉGULATEUR DE PRESSION



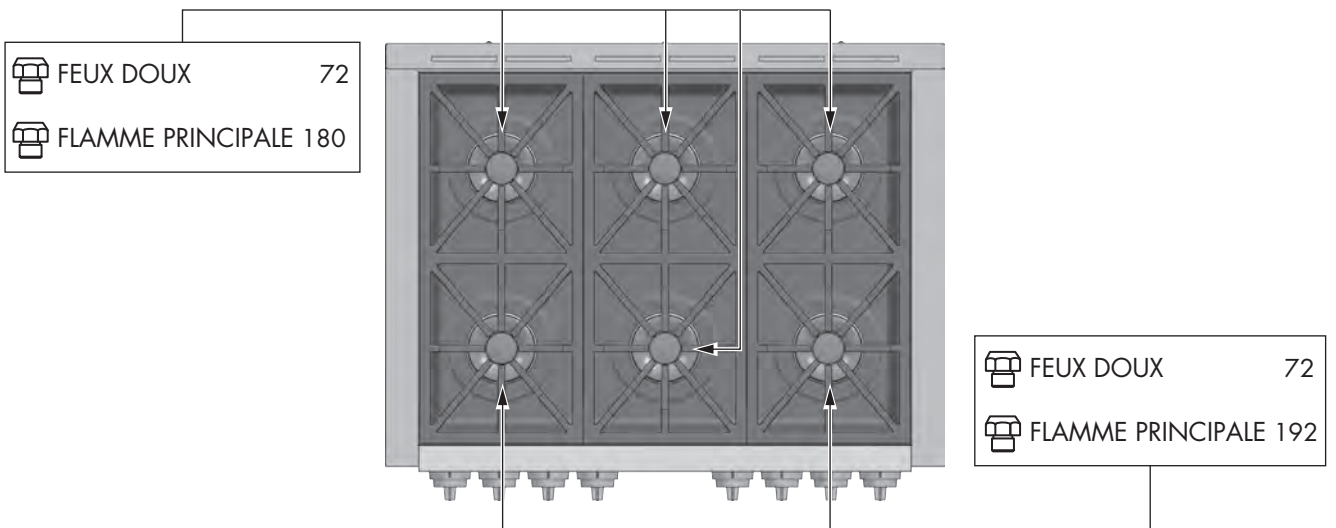
Avant de replacer le chapeau du régulateur, vérifiez que la position du branchement est appropriée pour la conversion du gaz

**POSITION DES INJECTEURS**

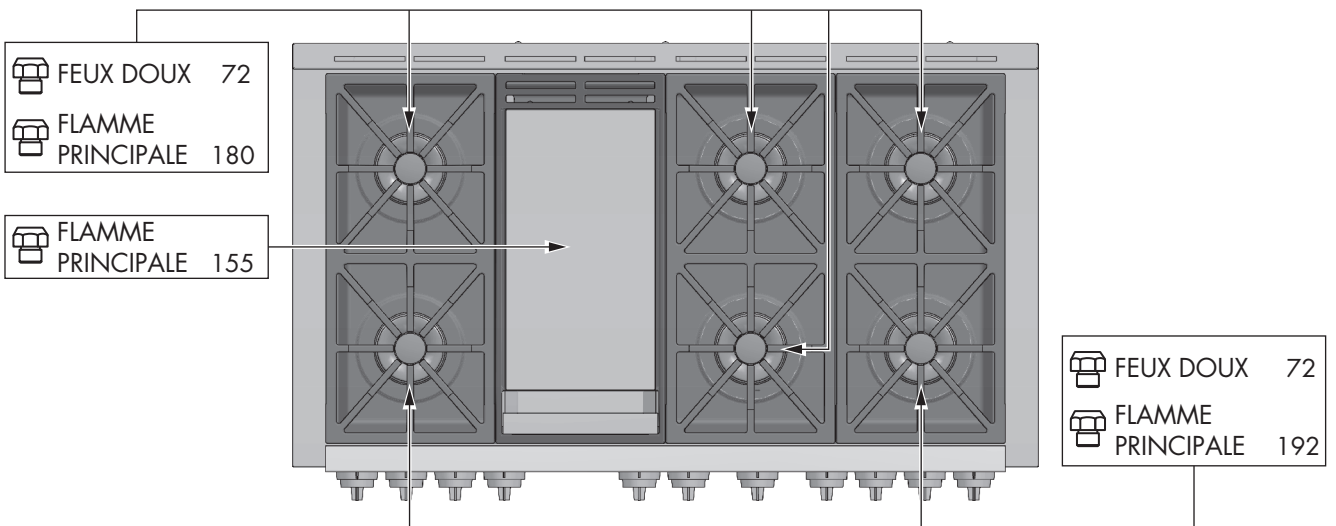
**NG-BRÛLEURS AVEC DOUBLE ANNEAU DE FLAMME 30"**



**NG-BRÛLEURS AVEC DOUBLE ANNEAU DE FLAMME 36"**

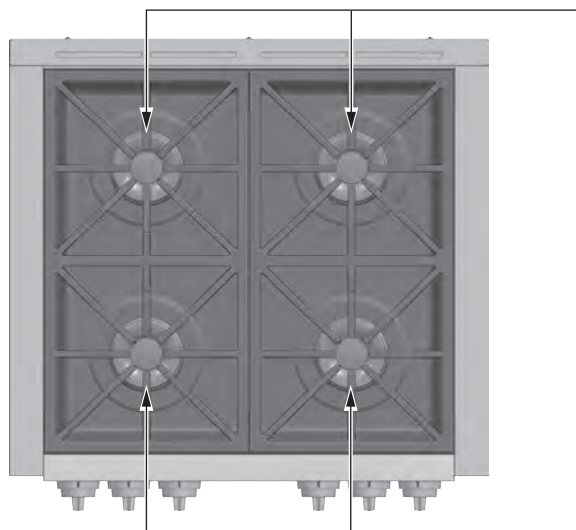




**NG - ANNEAU DOUBLE FLAMME ET GRILLE 48"**



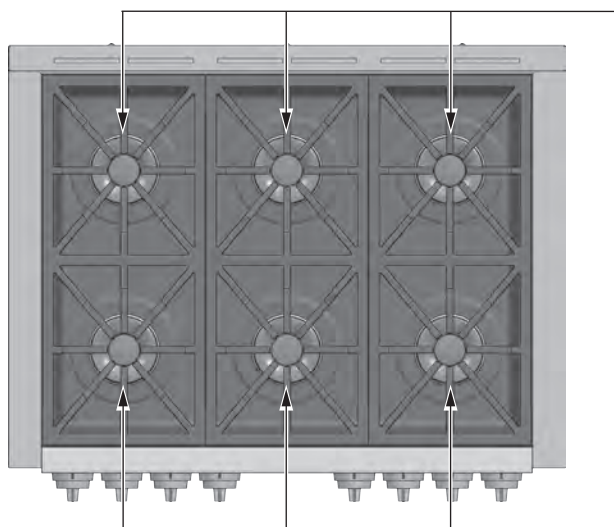
POSITION DES INJECTEURS



LP- BRÛLEURS AVEC DOUBLE ANNEAU DE FLAMME 30"



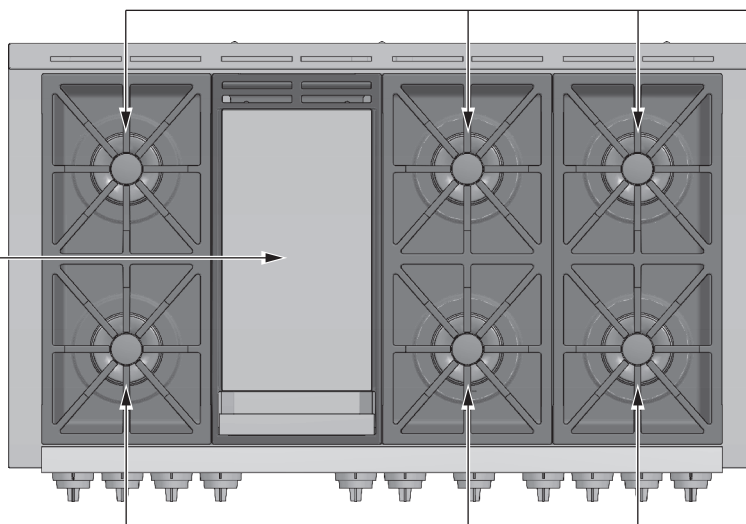
-  FEUX DOUX 50
-  FLAMME PRINCIPALE 105

LP- BRÛLEURS AVEC DOUBLE ANNEAU DE FLAMME 36"





-  FEUX DOUX 50
-  FLAMME PRINCIPALE 105

LP - ANNEAU DOUBLE FLAMME ET GRILLE 48"



-  FLAMME PRINCIPALE 94

-  FEUX DOUX 50
-  FLAMME PRINCIPALE 105



## Réglage Petite Flamme

### DANGER

Allumer des brûleurs à gaz avec une allumette est dangereux. Vous ne devriez allumer un brûleur avec une allumette que dans un cas urgent. Allumez une allumette et tenir la flamme près du brûleur que vous voulez allumer. Ce sont les allumettes en bois qui fonctionnent le mieux. Enfoncez et tournez le bouton lentement. Assurez-vous que vous tournez bien le bouton du brûleur que vous voulez allumer.

**NOTE:** Si le brûleur ne s'allume pas dans les 5 secondes, remettez le bouton en position off, attendez une minute et ré-essayez à nouveau.

### CAUTION

Si vous essayez de mesurer le cône interne de la flamme, faites attention. Vous pourriez vous brûler.

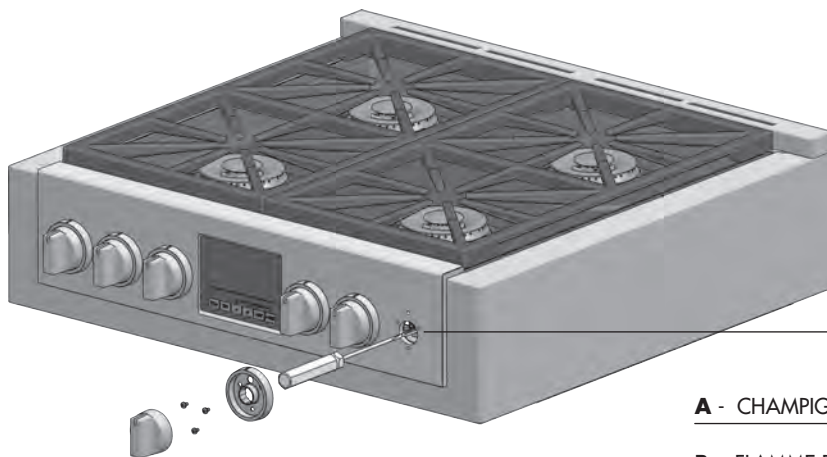
Cet appareil est prédisposé en usine pour une flamme petite et moyenne et fonctionne au gaz naturel.

Si d'autres réglages sont, veuillez procéder de la sorte:

### Réglage pour brûleurs avec un ou deux anneaux de flamme:

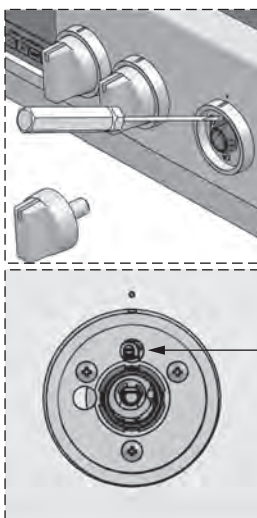
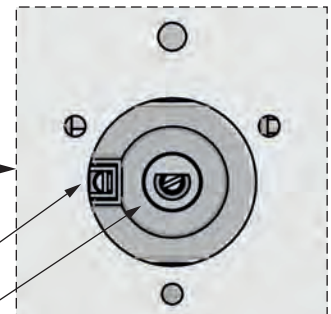
1. Allumez le brûleur et positionnez le bouton sur petite flamme.
2. Enlevez le bouton de commande de la tige de la soupape.
3. Retirez la base du bouton du panneau de commande.
4. Introduire un tournevis fin à pointe plate dans la fente au centre de la tige de la vanne (A, B ou C) et introduire la pointe dans la rainure de la vis de réglage.

### RÉGLAGE FLAMME BASSE

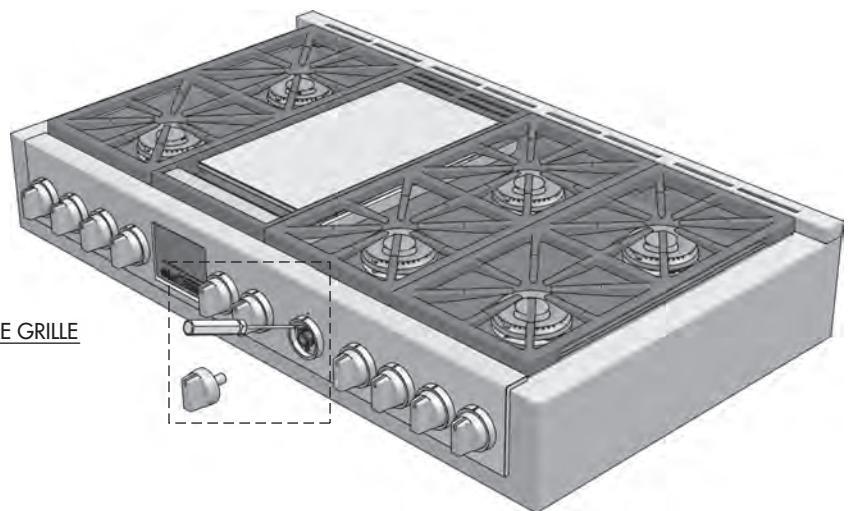


A - CHAMPIGNON

B - FLAMME PRINCIPALE



C - FLAMME GRILLE



5. Tournez la tige du centre pour ajuster la flamme et déterminer sa taille.
  - dans le sens des aiguilles d'une montre, vous réduisez la flamme
  - dans le sens contraire des aiguilles d'une montre, vous augmentez la flamme
6. Remplacez le bouton de commande en fin d'opération.

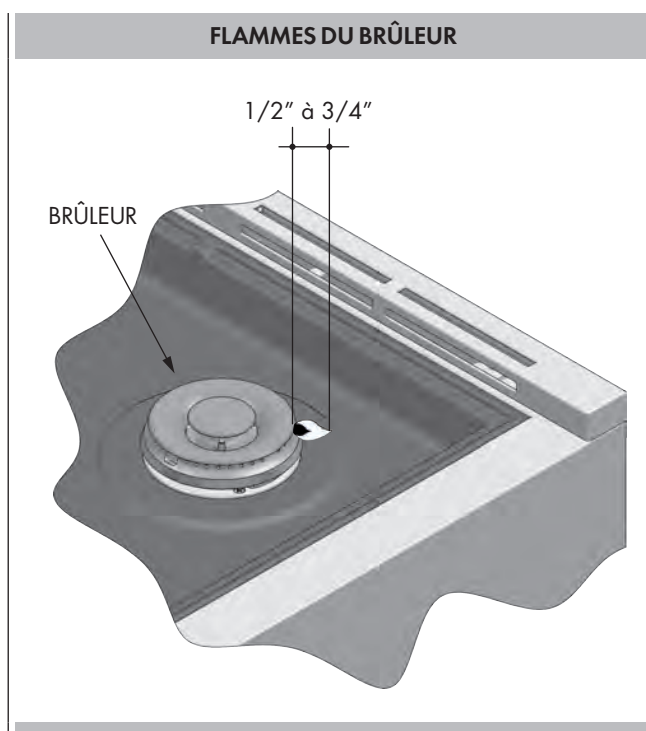
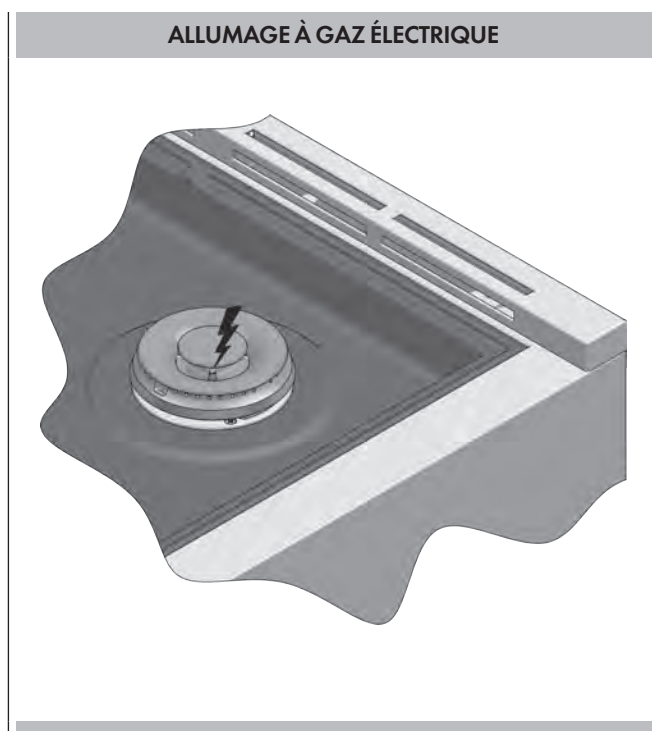
Un ajustement correct produira une flamme bleue de taille minimum, stable et constante. Vérifiez le réglage final en tournant plusieurs fois le bouton de la position flamme haute à flamme basse sans que la flamme ne s'éteigne. Ce réglage à position faible indiquera automatiquement la taille de la flamme sur la position moyenne.

Une fois que les étapes de conversion sont terminées, vérifiez l'aspect de la flamme de chaque brûleur en position HI et LO. Si les flammes semblent trop larges ou trop hautes, revoir chaque étape afin de vérifier qu'elles ont été exécutées correctement.

**REMARQUE:** Pour obtenir le réglage minimum correct avec le gaz de PL, tourner dans le sens des aiguilles d'une montre en serrant totalement la vanne avec le tournevis plat dans la rainure au centre de la tige de vanne (A ou B).

## Allumage à gaz électrique

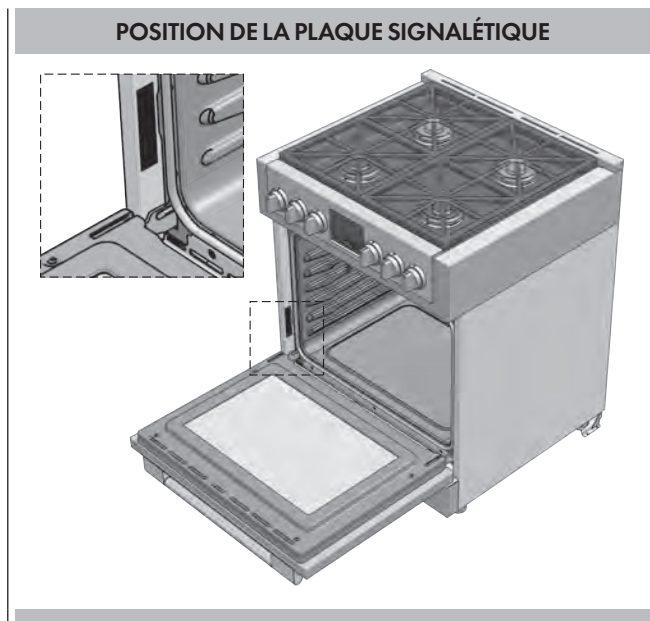
Les brûleurs à gaz utilisent un appareil à allumage électrique situé près de chaque brûleur qui assure que les brûleurs s'allument automatiquement.



Voir le Manuel d'utilisation et d'entretien pour une meilleure explication de fonctionnement de la table de cuisson.



Avant d'installer le four, faites vérifier par un électricien compétent que votre installation électrique domestique est correcte et qu'en ajoutant le four, vous n'allez pas surcharger le circuit de dérivation sur lequel il est installé. Votre appareil doit être convenablement installé et connecté à la terre par un électricien qualifié. Demandez à votre revendeur de vous conseiller un technicien qualifié ou un centre de réparation agréé. Cet appareil est fabriqué avec un câble de TERRE vert connecté avec le bâti du four. Position de la boîte de raccordement ou de la boîte encastrée. Pour la position suggérée de la boîte de raccordement ou de la boîte encastrée, voir le paragraphe « Exigences de découpe ».



Les normes et réglementations locales prévalent sur ces instructions. Effectuez les connexions électriques conformément aux normes et réglementations locales. Un raccord de conduit conforme UL doit être prévu à chaque extrémité du conduit d'alimentation électrique (à la cuisinière et à la boîte de raccordement).

- Les dimensions des fils et les connexions doivent être adaptées aux valeurs nominales de la cuisinière.
- Le schéma de câblage est placé dans la partie postérieure de la cuisinière ou dans un sac en plastique transparent.

#### États-Unis:

Assurez-vous que les branchements électriques et ceux de mise à la terre ainsi que la taille des câbles soient conformes à la dernière édition du code américain National Electrical Code, ANSI/ NFPA 70 et aux standards et aux réglementations locales.

#### Canada:

Assurez-vous que l'alimentation électrique et les dimensions des fils sont adaptées et conformes au CSA Standard C22.1, Canadian Electrical Code, Part 1 - dernière édition et tous les codes et réglementations locaux.



### AVERTISSEMENT

Risque de choc électrique, bâti mis à la terre connecté au neutre de l'appareil à travers un lien

Il est interdit d'effectuer la mise à la terre à travers le conducteur neutre pour l'installation d'un circuit de dérivation neuf (1996 NEC); les maisons mobiles et les véhicules de loisirs, ou dans une zone dans laquelle la mise à la terre à travers le conducteur neutre est interdite. Pour installations dans lesquelles la mise à la terre à travers le conducteur neutre est interdite :

- Déconnecter la terre du neutre à l'extrémité libre du circuit.
- Utiliser le terminal de mise à la terre ou le porter jusqu'à l'unité de mise à la terre.
- Utiliser le terminal neutre ou le porter jusqu'au neutre du circuit de dérivation en procédant comme d'habitude.

Le four est conçu pour être raccordé à une alimentation électrique à trois ou quatre fils, monophasée, 120/240 ou 120/208 Volt, 60 Hz AC, sur un circuit séparé doté de fusibles sur les deux côtés de la ligne (il est recommandé de prévoir un sectionneur ou un fusible temporisé). Ne pas installer de fusible sur le neutre.

**REMARQUE:** POUR UTILISATION AVEC TENSION D'ALIMENTATION 208 V, 60 HZ, VOIR LES RACCORDEMENTS À UN CIRCUIT 208 V.

#### EXIGENCES ÉLECTRIQUES CUISINIÈRES À UN FOUR 30" ou 36"

|                          |                                 |              |
|--------------------------|---------------------------------|--------------|
| Alimentation électrique  | 120-240 ou 120-208 volts, 60 Hz |              |
| Service                  | circuit dédié de 30 ampères     |              |
| Intensité électrique     | 120/240V                        | 16.9 Ampères |
|                          | 120/208V                        | 17.5 Ampères |
| Charge max. de connexion | 120/240V                        | 3.84 kW      |
|                          | 120/208V                        | 3.54 kW      |
| Fil d'alimentation min.  | L1, L2, mis à la terre - 12 AWG |              |
|                          | Neutre - 16 AWG                 |              |

#### EXIGENCES ÉLECTRIQUES CUISINIÈRES À UN FOUR 48"

|                          |                                 |              |
|--------------------------|---------------------------------|--------------|
| Alimentation électrique  | 120-240 or 120-208 volts, 60 Hz |              |
| Service                  | circuit dédié de 50 ampères     |              |
| Intensité électrique     | 120/240V                        | 31.3 Ampères |
|                          | 120/208V                        | 29.5 Ampères |
| Charge max. de connexion | 120/240V                        | 7.00 kW      |
|                          | 120/208V                        | 6.00 kW      |
| Fil d'alimentation min.  | L1, L2, mis à la terre - 10 AWG |              |
|                          | Neutre - 12 AWG                 |              |



### AVERTISSEMENT

#### DANGER D'ELECTROCUTION

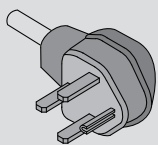
- L'alimentation électrique du circuit du branchement de l'appareil doit être coupée lorsque les connexions des lignes sont mises en place.
- N'utilisez pas de cordon d'extension avec cet appareil.
- Une mise électrique à la terre est nécessaire pour cet appareil.
- L'extrémité libre du fil vert (le fil de garde) doit être connectée à la masse appropriée. Ce fil doit rester branchée à la masse au appareil.
- Si un tuyau d'eau froide est interrompu par un plastique, des joints non métalliques; des connexions d'union ou d'autres matériaux isolants. NE L'UTILISEZ pas pour mettre à la masse.
- Ne branchez pas la masse à un tuyau à gaz.
- N'AYEZ PAS de fusible en position neutre ou un circuit à la masse.
- Un fusible dans un circuit neutre ou à la masse pourrait entraîner une électrocution.
- Vérifiez avec un électricien qualifié si vous avez un doute si votre appareil est correctement raccordé à la masse.
- Si vous ne suivez pas bien ces instructions, cela peut entraîner des blessures graves ou la mort.

**CAUTION**

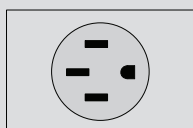
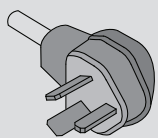
Ne réparez ou ne remplacez pas des pièces de l'appareil si ce n'est pas spécifiquement recommandé dans le manuel. Tous les autres dépannages doivent être effectués par un technicien qualifié. Ce qui réduirait les risques de blessures et d'endommagements du appareil. Ne modifiez jamais ou n'altérez jamais la construction de l'appareil en enlevant des panneaux, des couvertures de fil, des vis, ou toute autre pièce du produit.

**Câble d'alimentation électrique branché à l'usine**

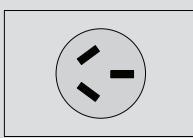
Votre cuisinière est équipée d'un câble d'alimentation installé à l'usine. Le câble doit être raccordé à une prise mise à la terre de 120/240 V ou 120/208 V. S'il n'y a pas de prise disponible, faites-en installer une par un électricien qualifié.

**CORDON D'ALIMENTATION ÉLECTRIQUE**

NEMA 14-50P Plug

NEMA 10-50P Plug  
(uniquement pour US)

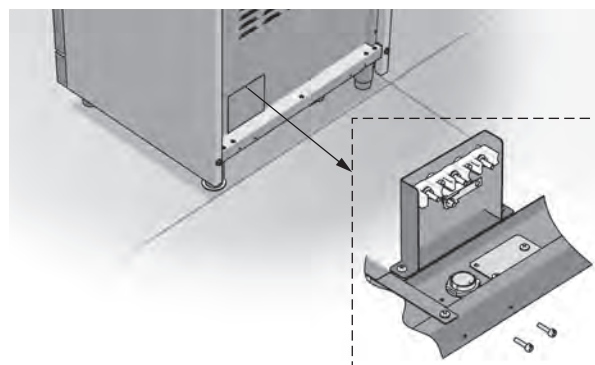
NEMA 14-50R Receptacle

NEMA 10-50R Receptacle  
(uniquement pour US)**Cordon d'alimentation électrique ou conduit flexible (uniquement pour US)**

L'utilisateur est responsable du branchement du cordon d'alimentation électrique au bloc de raccordement qui se trouve derrière le portillon d'accès du panneau postérieur. L'appareil doit être raccordé avec un cordon d'alimentation électrique. Utiliser uniquement un cordon d'alimentation à 125/250 V min. et adapté à l'utilisation avec des cuisinières. Le cordon doit avoir 3 ou 4 conducteurs. Les terminaux à l'extrémité des câbles doivent être fermés en boucle ou par des cosses à fourche à extrémités recourbées.

Pour les cuisinières de 30", 36" et 48", utiliser un cordon d'alimentation calibré à au moins 50A destiné à être utilisé avec des ouvertures de connexion de diamètre nominal de 1-3/8 in (34.93m).

- 1) Débrancher l'alimentation.
- 2) Enlever les vis du couvercle de la plaque à bornes située dans la partie postérieure de la cuisinière.

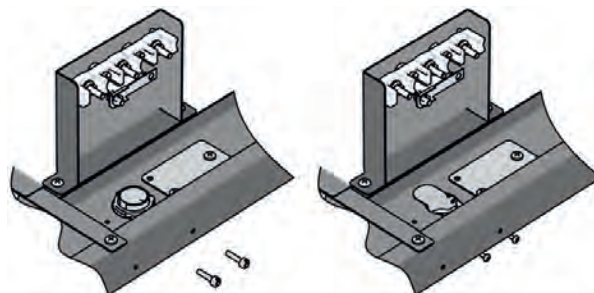
**POSITION DU RACCORD ÉLECTRIQUE**

- 3) Ajouter le dispositif de décharge si non fourni.

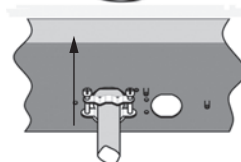
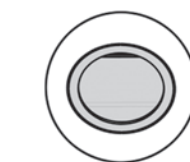
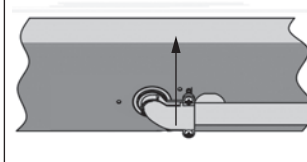
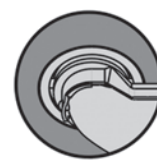
REMARQUE: si nécessaire, enlever le prédécoupé pour mettre en place le dispositif de décharge.

**Dispositif de décharge du cordon d'alimentation électrique**

- Installer dans l'ouverture un dispositif de décharge homologué UL.

**DISPOSITIF DE DÉCHARGE HOMOLOGUÉ UL**


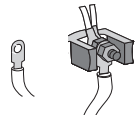

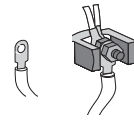
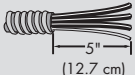
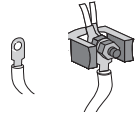
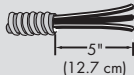
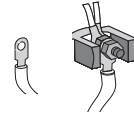
- Introduire le cordon d'alimentation ou le conduit flexible à travers le dispositif de décharge jusqu'à la plaque située sur le fond de la cuisinière. Laisser suffisamment de jeu pour fixer confortablement le câblage à la plaque à bornes.
- Serrer la vis du dispositif de décharge contre le câble d'alimentation électrique ou le conduit flexible.

**CORDON D'ALIMENTATION****CONDUIT FLEXIBLE**

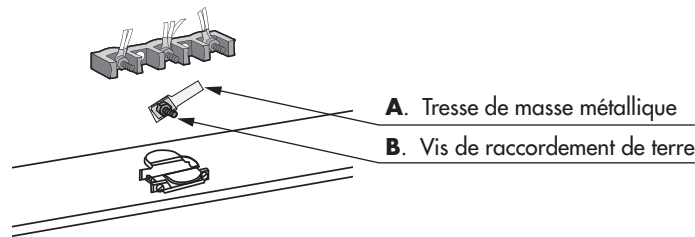
- 4) Terminez l'installation en suivant les instructions adaptées à votre type de connexion électrique :

- 4 fils (recommandé)
- 3 fils (si la connexion à 4 fils n'est pas disponible)

OPTIONS DE CONNEXION ÉLECTRIQUE

| SI VOTRE CONNEXION RÉSIDENNELLE EST:  | ET VOUS ALLER CONNECTER À:   | TYPE DE CONNEXION:  | SI VOTRE CONNEXION RÉSIDENNELLE EST:   | ET VOUS ALLER CONNECTER À:   | TYPE DE CONNEXION:  |
|---|--|---|--|--|---|
| 4 fils réceptacle (NEMA type 14-50R)<br> | homologué UL A, 250 V min., 30 A, cordon d'alimentation de la cuisinière |  | 3 fils réceptacle (NEMA type 10-50R)<br> | homologué UL A, 250 V min., 30 A, cordon d'alimentation de la cuisinière |  |
| 4 fils déconnecteur<br>                  | à fusible direct A ou boîte de disjoncteurs                              |  | 3 fils déconnecteur<br>                  | à fusible direct A ou boîte de disjoncteurs                              |  |

BORNIER – CÂBLE DE TERRE



Connexion 4 fils

Enlever une partie de tresse de masse métallique.

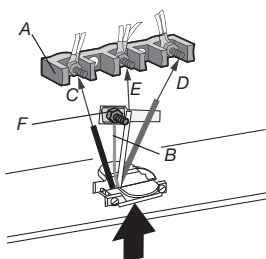
- 1) À l'aide d'un tournevis Philips, enlever la vis de raccordement de terre de la partie arrière de la cuisinière. Garder la vis de raccordement de terre et l'extrémité du raccordement de terre sous la vis.
- 2) Acheminer le cordon d'alimentation électrique à travers le dispositif de décharge jusqu'à la plaque pour cordon/conduit située sur le fond de la cuisinière. Laisser suffisamment de jeu pour fixer confortablement le câblage à la plaque à bornes.
- 3) À l'aide du tournevis Philips, connecter le câble vert de terre du cordon d'alimentation électrique à la cuisinière moyennant la vis de raccordement de terre. Fixer d'abord le câble de terre.
- 4) À l'aide d'un tournevis à douille 3/8", connecter le câble neutre (blanc) au bloc à bornes d'entrée moyennant un écrou hexagonal 10-32. (Consulter le tableau « Options de connexion électrique » pour le type de raccordement approprié)
- 5) Raccorder les câbles ligne 1 (noir) et ligne 2 (blanc) au bloc à bornes extérieur avec des écrous hexagonaux 10-32.
- 6) Serrer à fond les écrous hexagonaux.
- 7) Remettre en place le portillon d'accès au bloc à bornes.

Connexion 3 fils

N'utiliser cette méthode que si les réglementations locales permettent de raccorder le conducteur de terre du bâti au câble neutre du cordon d'alimentation électrique:

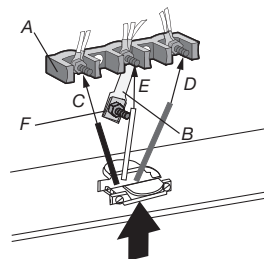
- 1) Introduire le cordon d'alimentation à travers le dispositif de décharge jusqu'à la plaque située sur le fond de la cuisinière. Laisser suffisamment de jeu pour fixer confortablement le câblage à la plaque à bornes.
  - 2) À l'aide d'un tournevis à douille 3/8", connecter le câble neutre (blanc) au bloc à bornes d'entrée moyennant un écrou hexagonal 10-32.
- (Consulter le tableau « Options de connexion électrique » pour le type de raccordement approprié)
- 3) Raccorder les câbles ligne 1 (noir) et ligne 2 (rouge) au bloc à bornes extérieur avec des écrous hexagonaux 10-32.
  - 4) Serrer à fond les écrous hexagonaux.
  - 5) Remettre en place le portillon d'accès au bloc à bornes.

CONNEXION 4 FILS



- A. Bloc à bornes
- B. Câble nu ou vert
- C. Câble noir L1
- D. Câble rouge L2
- E. Câble blanc neutre
- F. Vis de raccordement de terre

CONNEXION 3 FILS



- A. Bloc à bornes
- B. Tresse de masse
- C. Câble noir L1
- D. Câble rouge L2
- E. Câble blanc neutre
- F. Vis de raccordement de terre



Afin d'éviter des erreurs de raccordement pouvant porter à la détérioration des composants électriques et à la perte d'effet de la garantie, suivre les indications suivantes :

- Vérifier les conditions électriques requises et s'assurer que l'alimentation électrique est correcte et que la cuisinière est mise à la terre correctement.
- Avant que la cuisinière ne soit branchée, branchez l'alimentation principale.
- Vérifier l'arrivée de courant aux câbles de la boîte de jonction à l'aide d'un voltmètre ayant une plage de travail de 0-250 VAC. Si vous avez installé le four pour l'utiliser sous une alimentation de 240 V, le voltage affiché entre les fils noir et rouge (ligne à ligne) devrait être compris entre 220 et 240 V. Si vous avez modifié la cuisine pour l'utiliser sous 208 V, le voltage affiché entre les fils noir et rouge devrait être compris entre 190 et 208 V.
- Branchez la cuisinière à la source d'alimentation.
- Régler la minuterie en procédant comme suit :
  - Pressez la touche **TIME** jusqu'à ce que la mention « SET TIME » s'affiche.
  - Pressez immédiatement les touches **+** ou **-** pour régler l'heure.
  - Appuyez encore sur le bouton **TIME** pour changer les minutes.
  - Presser immédiatement les touches **+** ou **-** pour régler les minutes; maintenir enfoncé pour changer de 10 en 10 minutes.
  - Pressez **TIME** ou attendez quelques secondes.
 La minuterie est maintenant réglée.
- Testez le mode de cuisson en procédant de la manière suivante :
  - Placez le bouton de mode de cuisson sur la position « BAKE ».
  - Le ventilateur de refroidissement, les lumières du four et le voyant de préchauffage s'allument.
  - Un bip sonore indique que le four a atteint la température de consigne de 350° °F (175° °C) et le voyant de préchauffage s'éteint.
  - Reporter le bouton à la position « OFF » pour interrompre la cuisson.
- Pour tester les autres fonctions du four, consulter la section « UTILISATION DES COMMANDES DU FOUR » du manuel d'utilisation et d'entretien.
- Si le four fonctionne correctement, couper l'alimentation électrique.
- Mettre le couvercle sur la boîte de jonction et veiller à ce qu'elle soit bien fixée, puis rallumer l'alimentation électrique du four.

## CONNEXION A UN CIRCUIT DE 208 VOLT

Cette option existe pour les régions où le standard de 240 Volt n'est pas disponible. Il faut accéder à cette option quand le appareil est branché à une source d'alimentation, et en utilisant les séquences suivantes :

- Dans les cinq minutes après avoir allumé le appareil, appuyés sur les clés **MENU** et **TIME** pendant 3 secondes pour entrer le menu option menu utilisateur. L'affichage indique ce qui suit :



- Appuyez sur les clés **TIME** et **LIGHT** jusqu'à ce que l'écran ne s'assombrisse.
- Appuyez encore sur **MENU** et **LIGHT**, jusqu'à ce que l'affichage horaire indique "Volt" et que le module température/clignote un "240", attendant une entrée.



- En utilisant les clés **+** ou **-**, la commande alterne entre les options 240V et 208V. Appuyez sur **MENU** pour confirmer.
- Maintenez les clés **TIME** et **LIGHT** afin de quitter la sélection.
- Maintenez la clé **MENU** pendant 3 secondes pour quitter le menu option utilisateur.

Le réglage de la tension est enregistré et gardé même après unelongue coupure.



### AVERTISSEMENT

Laissez ces instructions d'INSTALLATION et le MANUEL D'UTILISATION ET D'ENTRETIEN au propriétaire.





| TABELA DE CONTENIDO  | PAGE      |
|--|-----------|
| <b>1 - Advertencias Especiales</b>   | <b>2</b>  |
| Antes de comenzar la instalación   | 2         |
| Instalación en Casas Móviles   | 2         |
| Micro-casas prefabricadas  | 2         |
| <b>2 - Dimensiones del Producto y de Encastre</b>                            | <b>3</b>  |
| Instructions d'installation des supports anti-bascules                       | 5         |
| <b>3 - Información de instalación</b>  | <b>7</b>  |
| <b>4 - Instrucciones para la Instalación</b>                                 | <b>8</b>  |
| <b>5 - Conexión del Gas - Requisitos</b>                                     | <b>11</b> |
| Prueba de Presión  | 12        |
| Método de la prueba de presión   | 12        |
| Conexión del Gas   | 13        |
| <b>6 - Conversión a Gas LP o NG</b>  | <b>14</b> |
| Conversión del Electrodoméstico para su Uso con Gas LP                       | 14        |
| Sustitución de los inyectores (quemadores de doble corona de combustión)     | 14        |
| Sustituya inyector (plancha)   | 14        |
| Conversión de los Electrodomesticos para Utilizarlos con Gas NG              | 15        |
| Conversión del Regulador de Presión  | 15        |
| Posición de los Inyectores   | 16        |
| Graduación de la Llama Baja  | 18        |
| Ignición eléctrica del gas   | 19        |
| Las llamas del quemador  | 19        |
| <b>7 - Alimentación eléctrica</b>  | <b>20</b> |
| <b>8 - Conexiones eléctricas</b>   | <b>21</b> |
| Conexión de 4 cables   | 22        |
| Conexión de 3 cables   | 22        |
| Conexión directa al disyuntor, a la caja de fusibles o a la caja de conexión | 23        |
| <b>9 Lista de verificación final</b>   | <b>24</b> |

**IMPORTANTE:** Guarde estas instrucciones para el uso del inspector eléctrico local.

**INSTALADOR:** Por favor, deje este manual a propietario para futuras consultas.

**PROPIETARIO:** Por favor, conserve este manual para futuras consultas.

Preste la debida atención a los siguientes símbolos que encontrará en el manual:



## PELIGRO

Si no sigue estas instrucciones de forma INMEDIATA, puede correr peligro de muerte o de resultar gravemente herido.



## ADVERTENCIA

Este es el símbolo de los avisos relacionados con la seguridad: alerta sobre potenciales peligros que pueden derivar en muerte o daños a las personas.

Si no sigue estas instrucciones, puede correr peligro de muerte o de resultar gravemente herido.

### LEA Y CONSERVE ESTAS INSTRUCCIONES.

#### Instalador:

Deje las instrucciones con el electrodoméstico.

#### Cliente:

Conserve las instrucciones como referencia futura.



## ADVERTENCIA

Respetar minuciosamente las indicaciones aportadas en este manual es indispensable para evitar el riesgo de incendio o de explosión que podrían estropear los bienes y los productos y provocar heridas, y hasta provocar la muerte. No almacene ni utilice gasolina u otros vapores o líquidos inflamables cerca de este ni otro electrodoméstico.



## INSTRUCCIONES IMPORTANTES



Por favor, lea todas las instrucciones antes de utilizar este aparato.

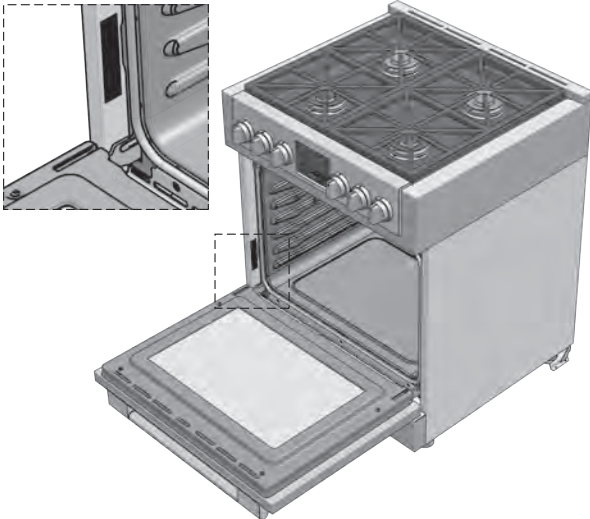
Efectuar una instalación adecuada es responsabilidad suya. Asegúrese de que el electrodoméstico es instalado por un técnico cualificado.



### IMPORTANTE

- Cumpla todas las normativas y ordenanzas vigentes aplicables.
- Antes de instalar la cocina, comprobar el modelo y los números de serie. Los dos números se encuentran en la placa de datos en la posición indicada en la figura a continuación

### POSICIÓN DE LA PLACA DE SEÑALIZACIÓN



combustible (National Fuel Gas Code) ANSI Z223.1 (última edición\*\* o CANI) B149.1 o 2\*\*\*.

Puede obtener copias de las normas citadas en:

\*\* National Fire Protection Association One Batterymarch Park Quincy, Massachusetts 02269

\*\*\* CSA International 8501 East Pleasant Valley Rd. Cleveland, OH 44131-5575

**NOTE:** Esta estufa ha sido diseñada para ser utilizada con gas natural\*. Para convertirla a LP/propano, lea las instrucciones del kit de conversión que encontrará entre los manuales del embalaje. Debe disponer de una conexión de suministro adecuada. Lea la sección "Conexión del gas. Requisitos".



### WARNING

Antes de conectar el dispositivo a la línea de entrada de gas, comprobar que el tipo de gas ha sido elegido correctamente. El tipo de gas programado y enviado desde la fábrica está indicado en la placa de señalización.

### Antes de comenzar la instalación

- Examine el lugar en el que va a instalar la placa de cocción. Debe ubicarla en un lugar alejado de fuertes corrientes de aire, como ventanas, puertas y ventiladores.
- Es necesario que el electrodoméstico se conecte a una toma de tierra. Consulte la sección "Conexión eléctrica. Requisitos".
- Debe asegurarse de que la instalación es adecuada y conforme con el Código eléctrico americano (National Electrical Code), ANSI/NFPA 70 (última edición\*\*) o con el Código eléctrico canadiense (Canadian Electrical Code), C 22.1 – 1982 y C22.2 N° 01982 (o la última edición)\*\*\* y con todos los códigos y ordenanzas locales.
- Debe asegurarse de que la conexión de gas está conforme con los códigos y ordenanzas locales.
- En ausencia de códigos locales, las instalaciones deben conformarse con el Código eléctrico americano (National Electrical Code), la Norma estadounidense de gas

### Instalación en Casas Móviles

La instalación de esta placa de cocina debe cumplir con el título 24 CFR, Parte 3280 de las Normas de seguridad y construcción de viviendas prefabricadas o móviles estadounidenses (Manufactured Home Construction and Safety Standards, [anteriormente denominada Federal Standard for Mobile Home Construction and Safety (Norma federal para seguridad y construcción de casas prefabricadas), Title 24 HUD, Part 280]; o, en caso de que dicha norma no sea aplicable, deberá seguirse la pauta marcada por la Norma para instalaciones en casas prefabricadas estadounidense [(Standard for Manufactured Home Installations (Manufactured Home Sites, Communities and Setups), ANSI A225.1 (última edición) o bien, la normativa local existente referente a casas móviles.

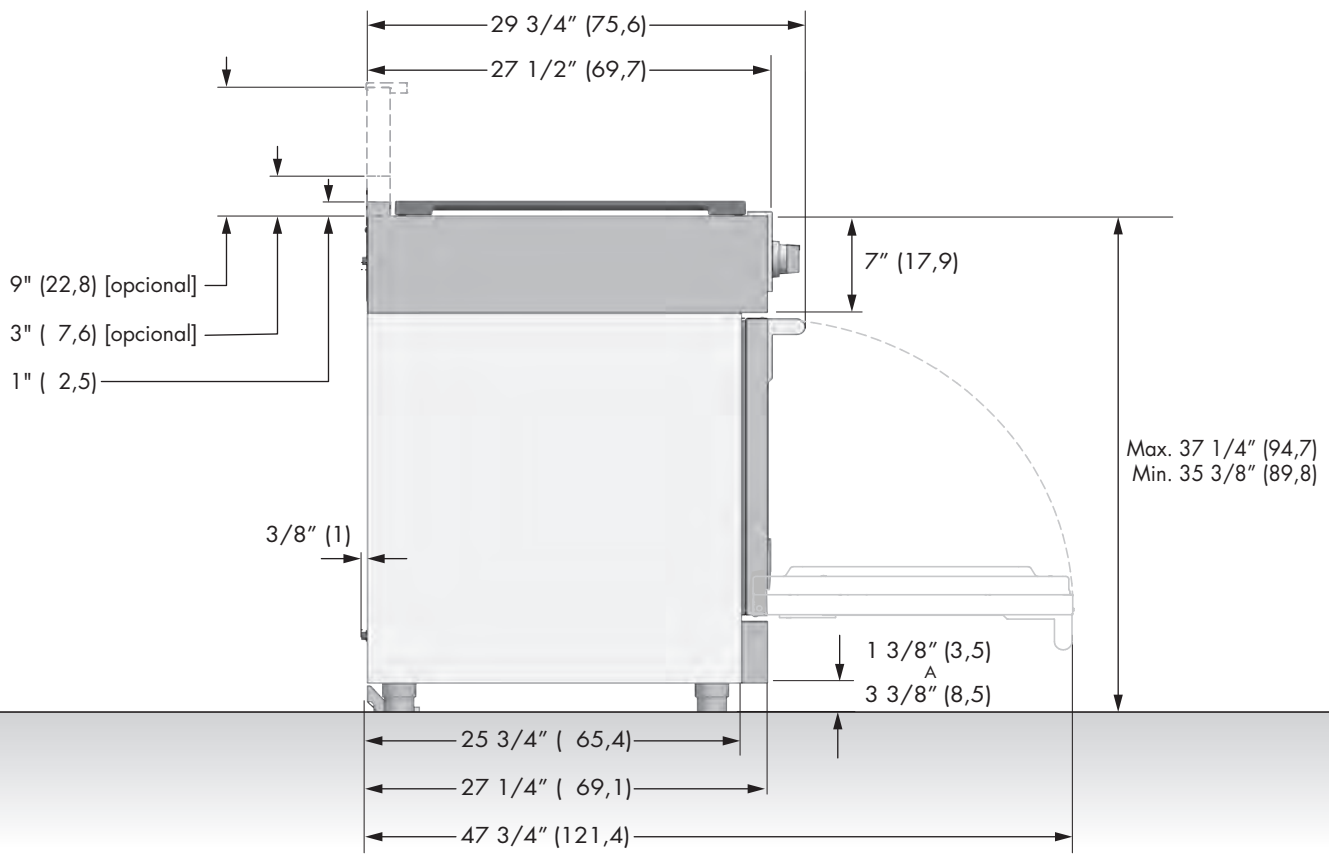
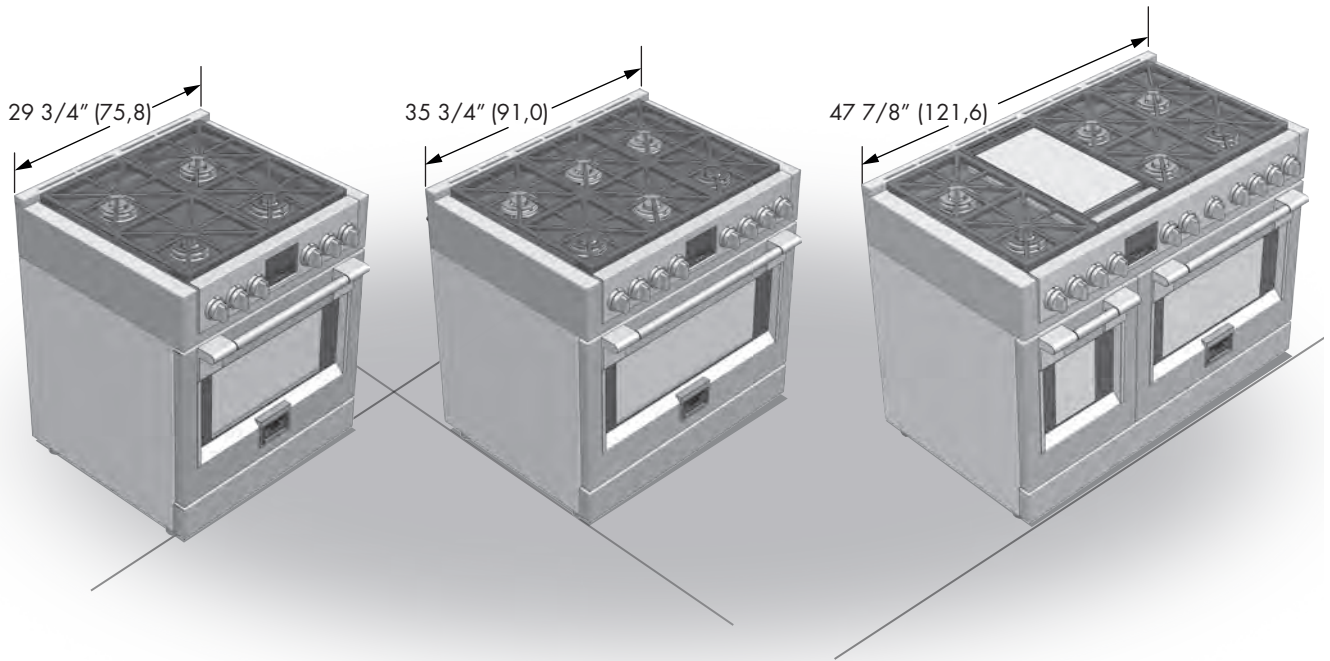
En Canadá, la instalación de esta placa de cocción debe cumplir con las normativas actuales CAN/CSA-Z240 (última edición) o con las normativas locales.

### Micro-casas prefabricadas

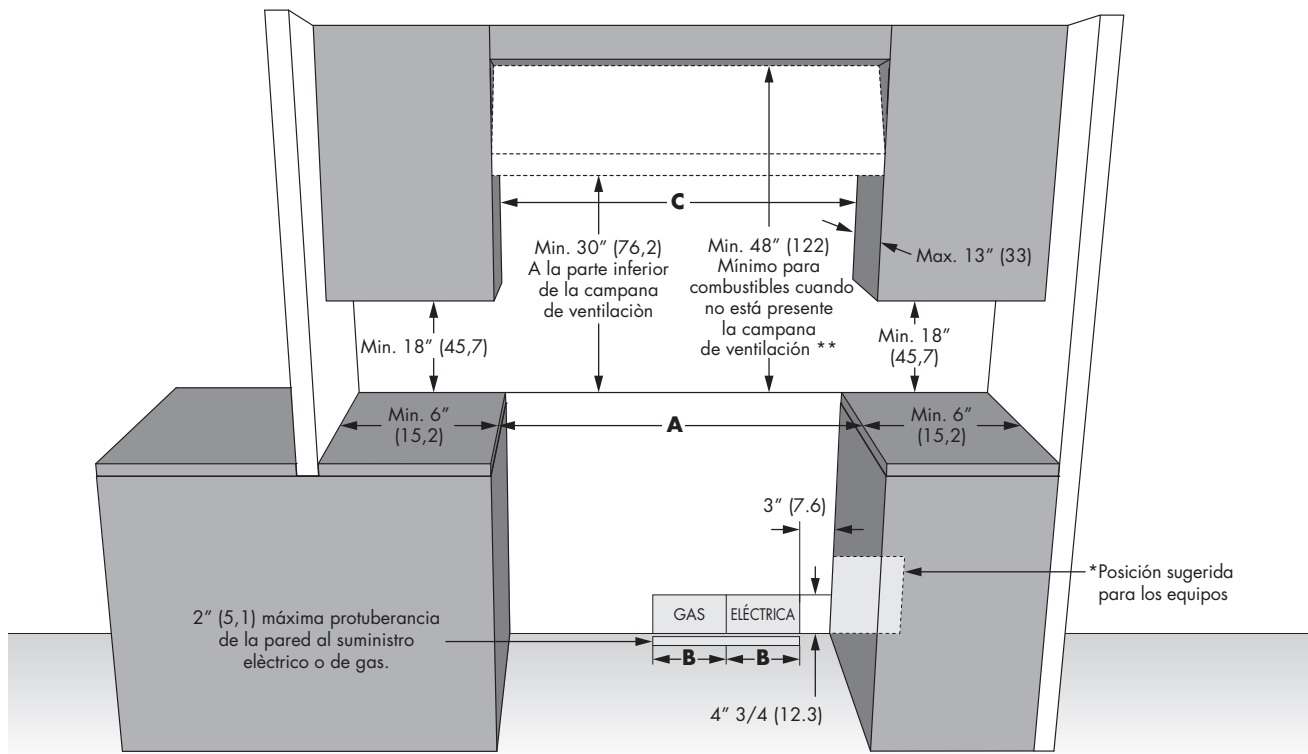
La instalación de estos dispositivos diseñados para micro-casas prefabricadas debe realizarse de conformidad con las disposiciones nacionales u otras o bien, en su defecto, con la norma sobre micro-casas prefabricadas ANSI A119.5.

DIMENSIONES DU PRODUCTO

AMPLIO RANGO DE MODELOS



DIMENSIONES DE ENCASTRE



**\*\*NOTA:** Asegúrese de que su instalación además cumpla con los códigos locales y nacionales de construcción e incendio. Si la superficie de toda la pared trasera por encima del rango y debajo de la campana no está compuesta por un material no combustible entonces debe ser usada la protección trasera accesoria de 9".

\*Consultar las normas locales para la exigencias exactas de colocación.

| ANCHO DE APERTURA | A & C       | B         |
|-------------------|-------------|-----------|
| Estufa de 30"     | 30" (76,2)  | 6" (15,2) |
| Estufa de 36"     | 36" (91,4)  | 7" (17,8) |
| Estufa de 48"     | 48" (122,0) | 7" (17,8) |

Nota: Las distancias a los materiales no combustibles no son parte del alcance de ANSI Z21.1 y no están certificadas. La distancia con relación a los materiales no combustibles debe respetar las normas locales o, en ausencia de las mismas, el « National Fuel Gas Code », ANSI Z223.1/NFPA 54.

Distancia mínima a construcciones:

Por arriba de la supercie de cocinar (más de 36" [91.4 cm])

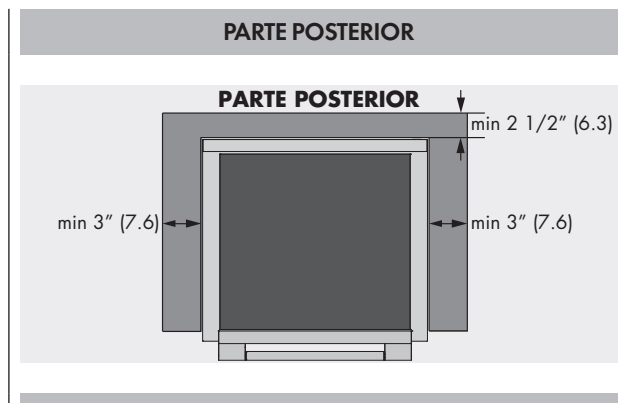
- Lados - 6" (15.2 cm)
- Dentro del espacio lateral de 6" (15.2 cm), los gabinetes de la pared no más profundos de 13" (33.0 cm) deben estar a un mínimo de 18" (45.7 cm) por arriba de la supercie de cocinar
- Los gabinetes de la pared que estén directamente por encima del producto deben estar a un mínimo de 48" (122 cm) por arriba de la supercie de cocinar.
- Parte posterior - 0" a la protección posterior de 9" o al estante de arriba; 0" a una pared posterior no combustible.

Debajo de la placa de cocción (36" [91.4 cm] y por debajo)

- Instalación con espacio nulo entre la construcción combustible adyacente debajo de la superficie de cocción y las partes trasera y lateral del equipo".

ESPACIOS ADICIONALES:

Para la instalación de la isla, deje un espacio mínimo de 2-1/2" entre la abertura y el extremo trasero de la mesada y un mínimo de 3" entre la abertura y los extremos laterales de la mesada (ver la vista superior). Para instalación en una isla escalonada, 12" (30.5 cm) se requiere una separación mínima desde la parte posterior de los lados de la hornilla a un elevador de combustible. La instalación isla no es parte de la norma ANSI Z21.1 alcance y no certificado.



Antes de mover la estufa, proteja cualquier suelo acabado y asegúrese de que la puerta del horno esté cerrada para que no se dañe.

### Combinaciones de capuchas de ventilación:

Es recomendable que estos rangos se instalen en combinación con una campana de ventilación superior adecuada.

Dada la capacidad de calentamiento de esta unidad, debe prestarse especial atención a la instalación de la campana y los conductos para garantizar que cumpla con los códigos locales de construcción.

Se sugiere una campana con un área de captura adecuada y capaz de al menos 450 cfm para evacuar eficazmente los olores, el vapor y el calor. La elección de instalar una campana de menor cfm o configurada para la recirculación podría comprometer la efectividad de eliminar los factores mencionados antes.

Notas: algunos códigos de construcción Estatales / Provinciales requerirán la instalación de sistemas de aire de recuperación para campanas por encima de un cierto umbral de cfm (300 cfm es habitual).

Es su responsabilidad comprender y cumplir con los requisitos locales para gas, electricidad y ventilación donde se instalan estos artefactos.

### ADVERTENCIA

No se deben usar cortinas de aire ni ninguna otra campana de ventilación superior que sople aire hacia abajo sobre la estufa a gas a menos que la campana de ventilación y la estufa hayan sido diseñadas, probadas y certificadas por un laboratorio de pruebas independiente para el uso combinado de la una con la otra.

Distancias respecto de superficies horizontales sobre la cocina, medidas en relación a la superficie de cocción. No cumplir con esto puede provocar un peligro de incendio.

- Las instalaciones sin capucha requieren un mínimo de 48" (122) respecto de elementos combustibles.
- Una instalación de capucha a medida con superficies expuestas horizontales combustibles debe contar con una función de encendido automático.
- Para otras instalaciones con una capucha, consulte las instrucciones de instalación de capuchas sobre espacios específicos para capuchas

### PRECAUCIÓN

Estas cocinas pesan hasta 530 libras. Desmontar algunos elementos reducen su peso en forma considerable. Debido al peso y tamaño de la cocina y para reducir el riesgo de lesiones personales o daños al producto:

**SE REQUIEREN DOS PERSONAS PARA UNA INSTALACIÓN.**

## Instrucciones para instalar la brida anti-vuelco

### ADVERTENCIA

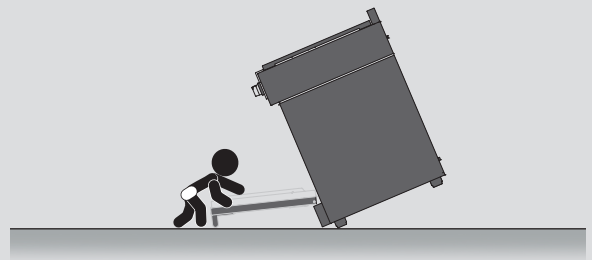
#### Peligro de vuelco

El vuelco de la cocina es un riesgo para todos, niños y adultos, que puede llegar a provocar la muerte.

Cuando se desplace la cocina, comprobar que el taco anti-vuelco está acoplado.

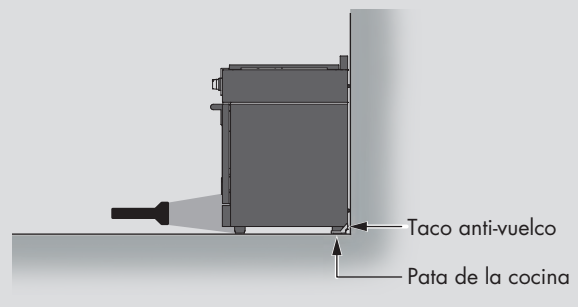
No dejar que la cocina funcione sin el taco anti-vuelco instalado y acoplado.

El no respeto de estas instrucciones puede provocar quemaduras graves o incluso la muerte para todos, niños y adultos.

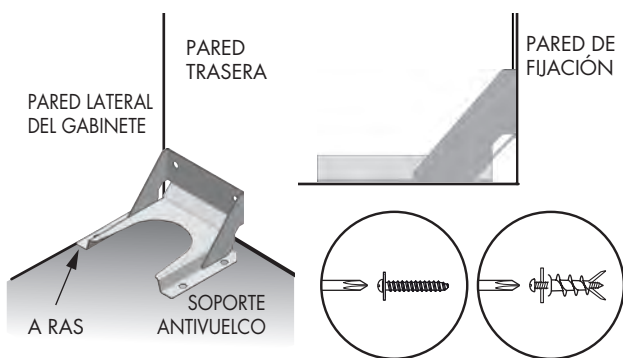


Para comprobar que el taco anti-vuelco está instalado y acoplado:

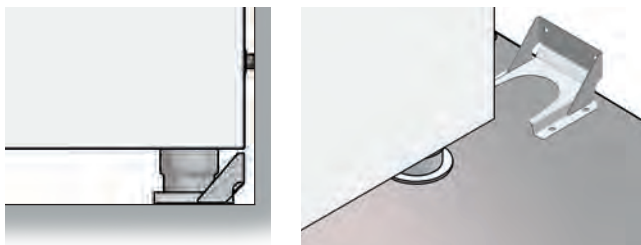
- Deslice la cocina hacia delante.
- Compruebe si el taco anti-vuelco está fijado firmemente al suelo o a la pared.
- Deslice la cocina hacia atrás de tal manera que la pata trasera se encuentre debajo del taco anti-vuelco.
- Para más detalles, consulte las instrucciones de instalación.



INSTALACIÓN DE LA BRIDA ANTI-VUELCO



Para construcciones de concreto o cemento: Deben utilizarse elementos de sujeción apropiados (no provistos). Sujete el soporte a la pared y/o piso mediante por lo menos 4 tornillos para madera (provistos).



El soporte anti-Volcaduras se debe insertar en la abertura correspondiente a la abrazadera anti-volcaduras de la cocina.



## ⚠ ADVERTENCIA

- **Peligro por peso excesivo**

Dos personas o más tienen que desplazar e instalar la cocina.

De lo contrario podrían sufrir daños en la espalda u otros.

- **Cut Hazard**

Cuidado con las aristas cortantes. Al desplazar el producto, agarrarlo por los protectores de poliestireno. De lo contrario podrían sufrir heridas leves o cortes.

**No taponar los flujos de aire en combustión a nivel de la apertura de ventilación del horno ni debajo de panel frontal inferior de la cocina.** Evitar tocar las aperturas de ventilación o las superficies cercanas ya que estas superficies podrían calentarse mientras que el horno está funcionando. Es indispensable que haya un aire fresco para una buena combustión en el quemador.

NUNCA tape ninguna ranura, orificio o abertura del horno o forre una rejilla completa con papel de aluminio. De lo contrario puede bloquear el flujo de aire en el horno y causar envenenamiento por monóxido de carbono. Forros con papel de aluminio pueden atrapar el calor, causando un riesgo de incendio.

## ELECCIÓN DE LA POSICIÓN DE LA COCINA

Elegir atentamente el lugar de instalación de la cocina.

La cocina debe colocarse para ser utilizada en la cocina, pero lejos de las corrientes de aire, una puerta o una ventana abiertas, el aire en movimiento por ventiladores de calefacción/refrigeración pueden originar fuertes corrientes de aire.

## ⚠ NOTA IMPORTANTE

Si instala la cocina contra una superficie combustible, prevea un mínimo de realce.

Respete todas las distancias con relación a las superficies combustibles indicadas en las páginas precedentes.

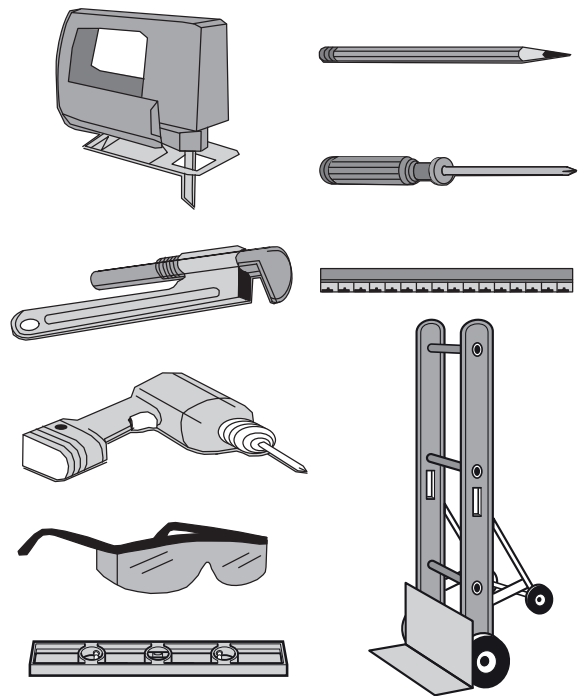
Antes de desplazar la cocina, proteja el suelo y mantenga la puerta del horno cerrada para prevenir cualquier daño.

Evitar absolutamente levantar o agarrar la cocina sujetándola por el asa de la puerta.

Para eliminar el riesgo de quemaduras o de incendio a causa de un calentamiento de la superficie de la unidades, evitar colocar un armario encima de la unidad. Si tiene un armario encima de la cocina, puede reducir el riesgo instalando a una cierta distancia por debajo de la parte inferior del armario una pantalla de protección que recubra toda la superficie horizontal.

Se debe sellar todas las aberturas en la pared o el piso donde la estufa esté instalada.

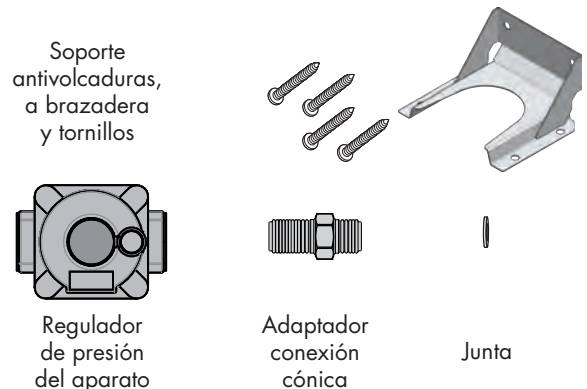
## HERRAMIENTAS NECESARIAS



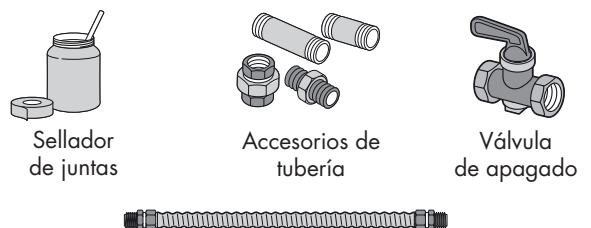
Retire el embalaje y separe los manuales de instrucciones antes de comenzar la instalación.

Lea atentamente los manuales de instalación antes de comenzar.

## MATERIALES PROVISTOS



## MATERIALES REQUERIDOS (no provistos)

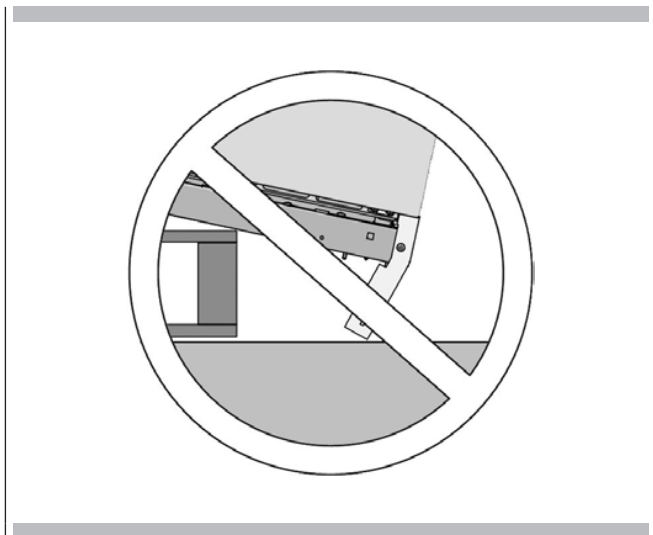


Longitud máxima de 5 pies, 5/8" DE. Suministro de gas de metal flexible aprobado por CSA (Longitud máxima de 3 pies sólo Massachusetts)

NOTA: Adquiera una línea flexible nueva; no utilice una línea de gas flexible previamente usada.

## ES 4 - Instrucciones para la Instalación

No incline la cocina sobre un lateral cuando instale las patas. Las paredes laterales no están diseñadas para soportar el peso de la cocina y se doblan. Cualquier daño como resultado de la inclinación no queda cubierto por la garantía. Se debe seguir el método descrito en el manual de instalación adjunto.

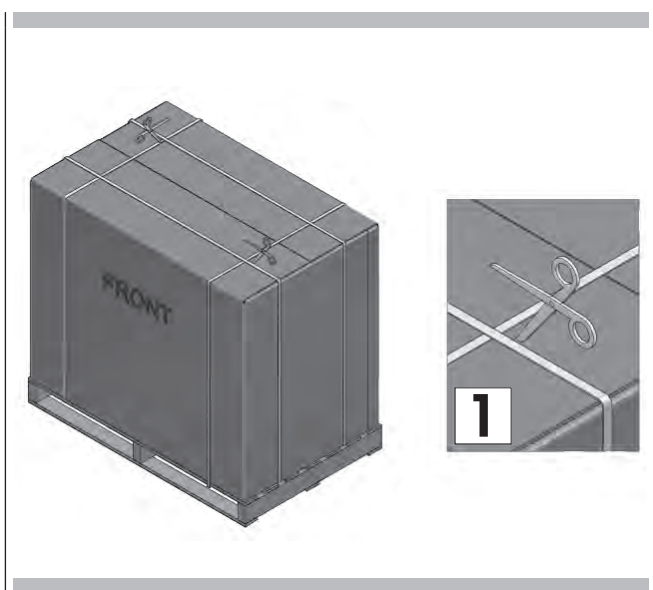


### PASO 1

Cortar las bandas (1) y retirar las Instrucciones de Instalación de la parte superior del artefacto de cocción y leerlas detenidamente antes de comenzar.

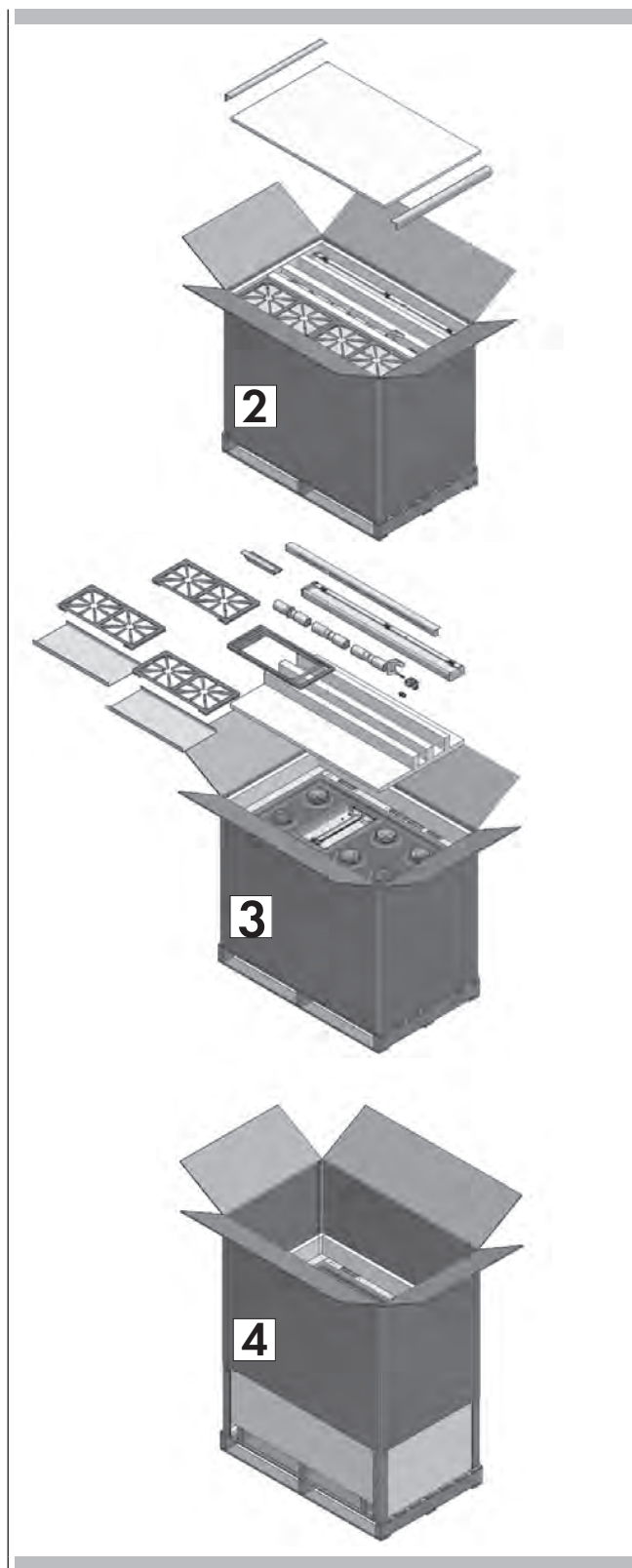
#### ATENCIÓN

Mantenerse alejado. Los extremos de las bandas cortadas podrían golpearle al darse la vuelta.



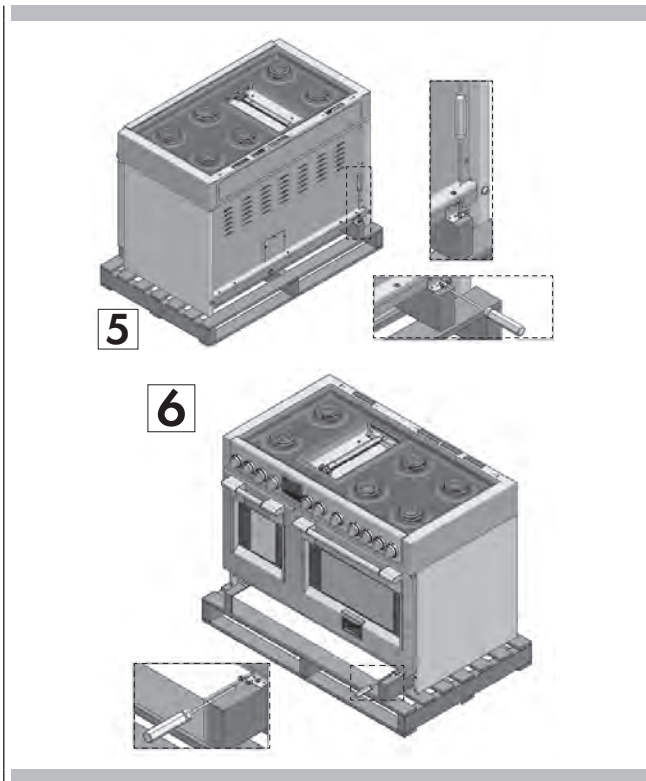
### PASO 2

Abrir la parte superior (2) y extraer los accesorios (3), luego levantar la funda de cartón (4).



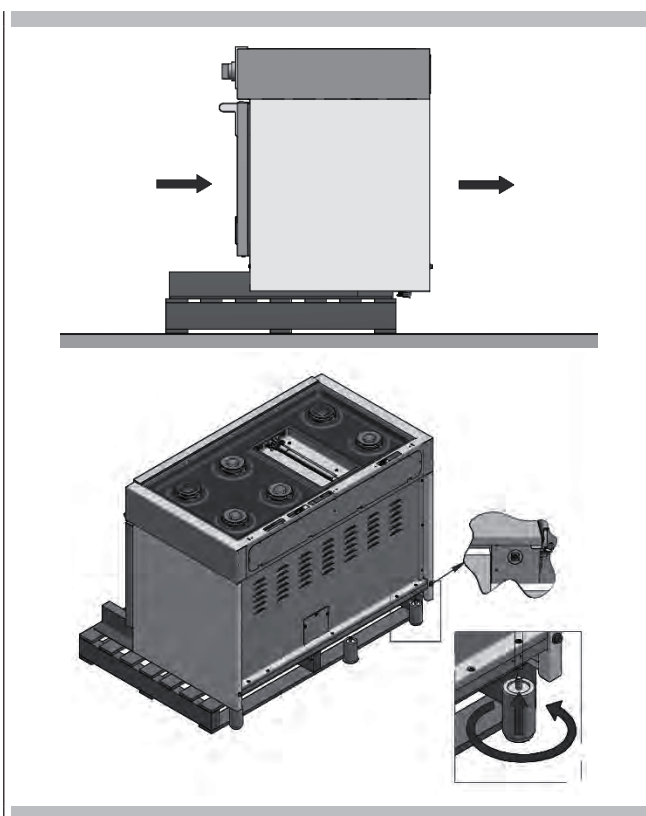
## PASO 3 (sólo en la gama de 48")

Extraer la abrazadera de madera posterior (5) y los soportes de fijación de metal frontales (6).



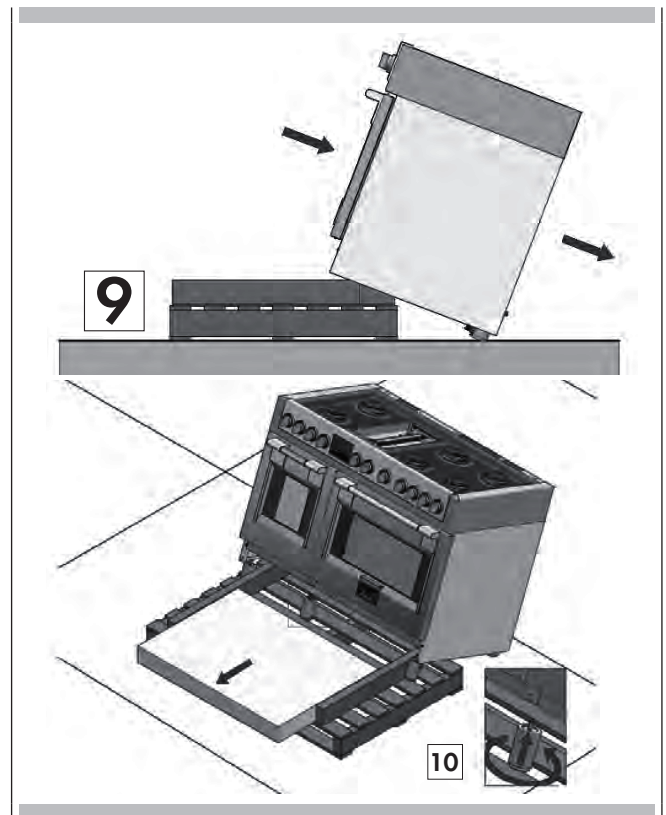
## PASO 4

Deslizar el artefacto de cocción justo lo suficiente para permitir instalar las patas traseras.



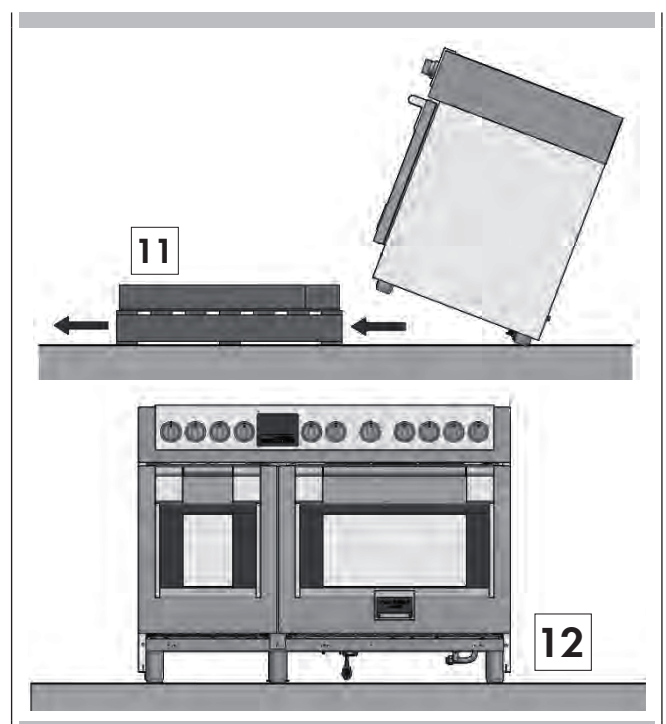
## PASO 5

Deslizar más e inclinar hacia atrás (9), poniendo las patas traseras en el suelo y, a continuación, montar las patas delanteras (10) mientras que está en esta posición angulada apoyado por las patas traseras y el patín.



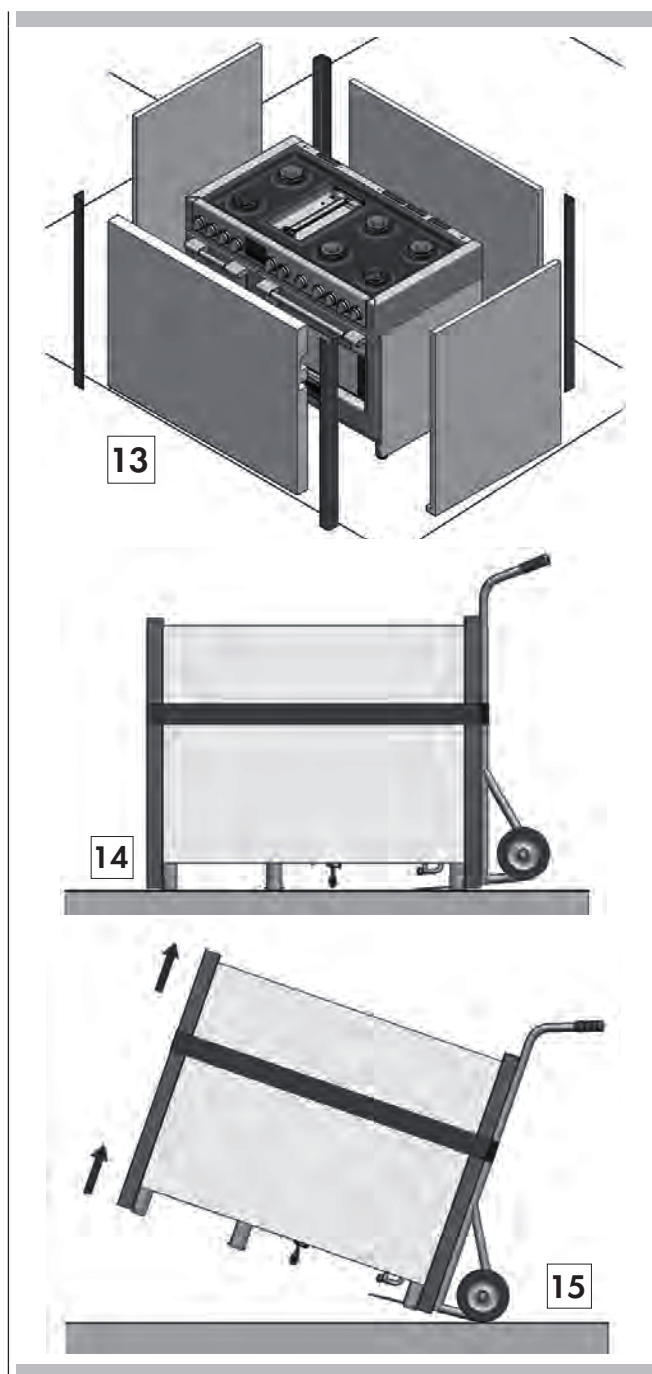
## PASO 6

Retirar la base sujetando la parte delantera del artefacto (11) y bajar al suelo de forma controlada (12).



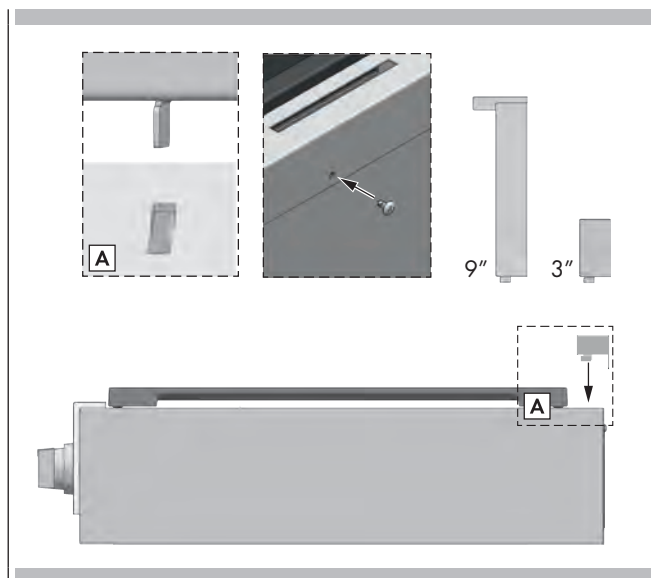
## PASO 7

En caso de que sea necesario mover el artefacto de cocción; usar el envase de espuma y/o de cartón (13), reemplazarlos alrededor del artefacto estratégicamente para proteger el acabado de superficies del mismo contra el contacto con el montacargas de mano y cualquier correa alrededor de la unidad (14). En el caso de artefactos más pequeños, puede utilizar esta técnica para retirar el artefacto del patín e instalar las patas (15). Inclinar el artefacto para bajar las ruedas del montacargas de mano fuera del patín. Colocar los corredores del aparato en el suelo a la izquierda y a la derecha, delante de la apertura cuando se mueva a una posición final para proteger el piso. La(s) puerta(s) del horno añade(n) mucho al peso global del artefacto, entonces puede resultarle útil quitar las puertas si mueve el artefacto en una distancia considerable. Consultar los manuales de instrucciones incluidos sobre cómo retirar y volver a colocar las puertas.



## PASO 8

Instalar la protección trasera (si la hubiera) mediante los tres tornillos en la parte posterior. En algunos casos esto puede ser un accesorio de protección trasera que fue ordenado por separado en lugar de uno que estaba incluido con el artefacto. Consulte las instrucciones incluidas con cualquier accesorio para ver los requisitos de instalación específica.



## PASO 9

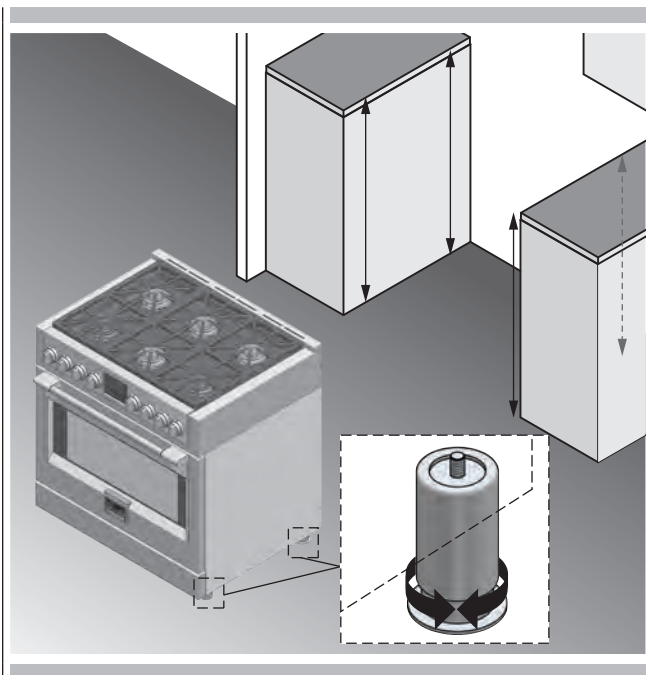
Después de completar las conexiones eléctricas y de gas (ver las instrucciones incluidas) medir las cuatro esquinas en el área de muesca para comprobar si el suelo está a nivel. Ajustar las patas de nivelación a la altura deseada y asegurarse que el artefacto esté a nivel. Gire la parte inferior de cada pata en sentido contrario a las agujas del reloj para elevar la pata y en sentido de las agujas del reloj para bajar.



### IMPORTANTE

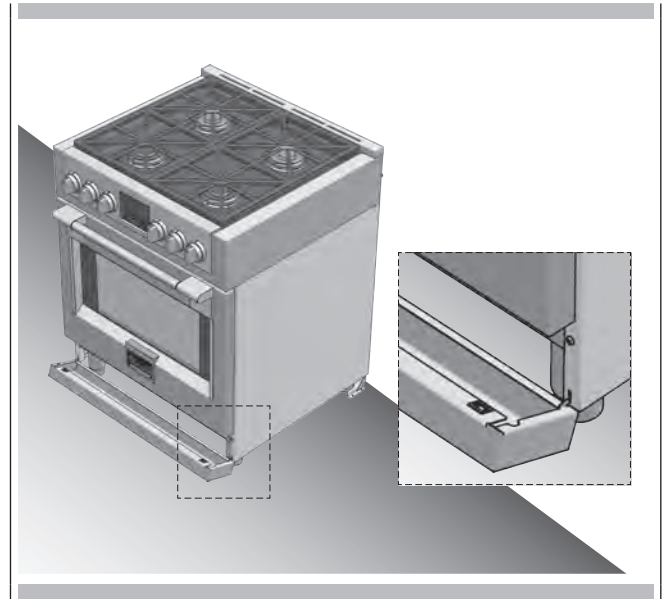
Cuando se enciende la unidad por primera vez, debe completar una prueba de seguridad de bloqueo de la puerta. Asegurarse que se han reinstalado las puertas si fueron retiradas para facilitar el movimiento del artefacto antes de enviar energía al aparato. No abra la puerta del horno o intente utilizar el horno hasta que esté seguro de que la prueba se ha realizado correctamente. Abrir / cerrar la puerta durante la prueba podría ocasionar daños en el mecanismo de la cerradura. Consulte los manuales de instrucciones para más detalles si es necesario.

Asegúrese de que el piso está protegido. Deslice la unidad en su sitio, asegurándose de acoplar el soporte anticaídas.



## PASO 10

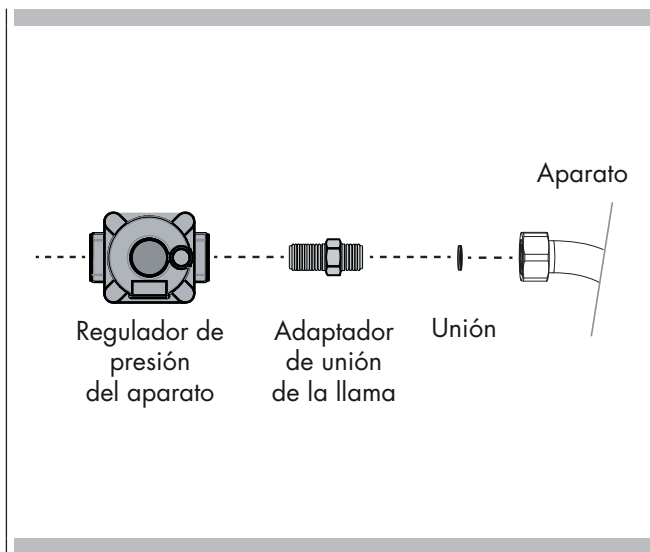
Asegurar las lengüetas en la parte inferior del tope de pie en las ranuras en cada lado del bastidor y girar hasta que los imanes en la parte superior del tope de pie hagan contacto y mantenerlo en su lugar de forma segura.





**LA CONEXIÓN DEL SUMINISTRO DE GAS DEBE SER EFECTUADA POR UN TÉCNICO ESPECIALIZADO O POR UN INSTALADOR DE ELECTRODOMÉSTICOS DE GAS.**

El responsable de efectuar la prueba de fugas de acuerdo con las instrucciones suministradas será el instalador. Debe instalar las partes de la conexión suministradas que se observan aquí en esta configuración al distribuidor principal de gas en el aparato. Los problemas que surjan por una falla en su ejecución, no estarán cubiertos por la garantía. No instale el regulador de presión hacia atrás ya que el gas no fluirá correctamente. Chequee que la flecha fluya en los puntos traseros en la dirección del gas. Las partes requeridas para la conexión desde el suministro de gas hacia el regulador son responsabilidad del instalador/ propietario.



**ATENCIÓN**

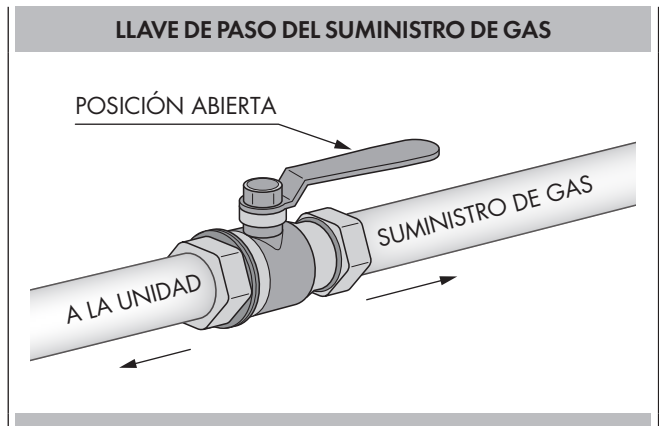
Use cinta de teflón calificada para aplicaciones de gas en todas las conexiones de rosca. No apriete en exceso la conexión en el distribuidor ya que podría dañar la unión y causar una fuga.

**ADVERTENCIA**

Si la presión del suministro de gas del regulador del electrodoméstico supera las 14 pulgadas de c.d.a. (columna de agua) - de cualquier gas - será necesario instalar un regulador externo en la línea de gas, antes del regulador del electrodoméstico, para reducir la presión hasta un nivel inferior a 14 pulgadas de c.d.a. El incumplimiento de esta condición puede derivar en un mal funcionamiento del electrodoméstico o provocar daños en el electrodoméstico

**Observaciones importantes para la conexión del gas**  
El electrodoméstico y la válvula individual de cierre deben aislarse del sistema de tuberías que suministran el gas siempre que se realicen pruebas de presión con presiones superiores a 1/2 psi (3,5 kPa). El electrodoméstico debe aislarse del sistema de tuberías de suministro de gas cerrando la válvula individual

de cierre durante cualquier prueba de presión realizada en dicho sistema en la que las presiones de comprobación sean equivalentes o inferiores a 1/2 psi (3,5 kPa).



Todas las tuberías de suministro, excepto las especificadas, deberían regirse por el National Pipe Thread (NPT) (Estándar americano de uniones roscadas). Para las conexiones de tuberías, utilice un compuesto adhesivo homologado resistente a la acción del gas LP.

Este aparato ha sido diseñado para ser utilizado con el regulador de presión que se suministra con el aparato. Debe ser instalado en el conducto del gas delante de la entrada de la válvula distribuidora. El aparato ha sido diseñado para utilizarse con gas natural. Si desea utilizarlo con gas LP, debe efectuar una conversión, tal y como se describe en "Conexión del gas".

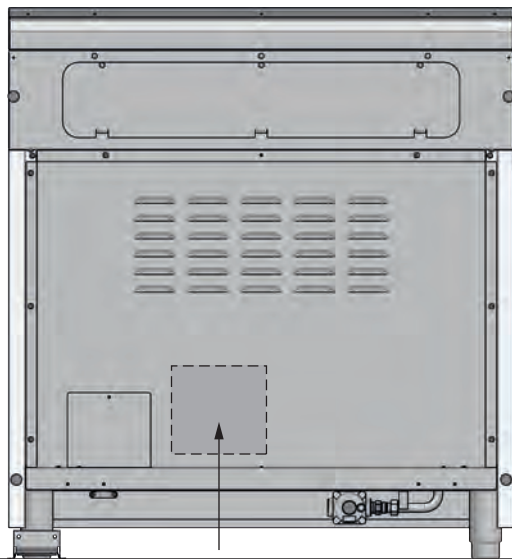
Este aparato ha sido diseñado para funcionar con una presión de 5 pulgadas de c.d.a. de gas natural o, en caso de convertirse para un uso con gas LP (propano o butano), 10 pulgadas de c.d.a. Asegúrese de que este electrodoméstico le es entregado adaptado al tipo de gas con el que lo va a utilizar. Este aparato ha sido preparado en fábrica para su uso con gas natural. Si desea utilizarlo con un tipo de gas diferente, antes de hacerlo, deberá ponerse en contacto con un técnico cualificado que tendrá que seguir los pasos de conversión. La presión de suministro de gas natural al regulador de presión debería encontrarse entre 6 y 14 pulgadas de columna de agua o, en caso de que el electrodoméstico haya sido convertido al uso con gas LP, deberá encontrarse entre 11 y 14 pulgadas.

| REQUISITOS DEL SUMINISTRO DE GAS |     |                                 |
|----------------------------------|-----|---------------------------------|
| GAS NATURAL                      | WC  |                                 |
| Presión del suministro de gas    | 5"  | (12.5 mb)                       |
| Presión mínima de la línea       | 6"  | (15 mb)                         |
| Presión máx. de línea            | 14" | (34.9 mb) WC, 0.5 psi (3.5 kPa) |

| GAS LP                        | WC  |                                 |
|-------------------------------|-----|---------------------------------|
| Presión del suministro de gas | 10" | (25 mb)                         |
| Presión mínima de la línea    | 11" | (27.4 mb)                       |
| Presión máx. de línea         | 14" | (34.9 mb) WC, 0.5 psi (3.5 kPa) |



LOCALIZACIÓN DE LA ETIQUETA DE GAS



**⚠ IMPORTANTE**

**NO REUTILICE CONECTORES VIEJOS CUANDO INSTALE ESTA ESTUFA.**

Para reducir el riesgo o la posibilidad de fugas de gas, aplique cinta de teflón o materiales homologados para su uso con gas natural o LP en todas las conexiones de rosca. Aplique un fluido no corrosivo de detección de fugas en todas las juntas y acoples de la conexión de gas entre la válvula de cierre de la línea de suministro y la entrada de la estufa. Revise periódicamente el sistema para detectar posibles fugas. Si aparecen burbujas alrededor de los acoplamientos y conexiones, quiere decir que hay una fuga. En caso de que ocurra, cierre la válvula de cierre de la línea de suministro, apriete las conexiones, abra la válvula de cierre de la línea de suministro y vuelva a examinar el sistema en busca de fugas. No utilice nunca una cerilla o una llama para comprobar si hay fugas de gas.

**NUNCA APRIETE A MÁS DE 35 pies-libras DE TORQUE**

**⚠ ATENCIÓN**

Do not attempt to attach the flexible connector directly to an external pipe thread.

Instalaciones en el Estado de Massachusetts:

1. La válvula de cierre debe ser una con conexión en "T".
2. El conector flexible de gas no debe medir más de 36 pulgadas de largo.
3. El producto no está homologado para ser instalado en dormitorios o baños a no ser que se predisponga una instalación de ventilación directa.

**Prueba de Presión**

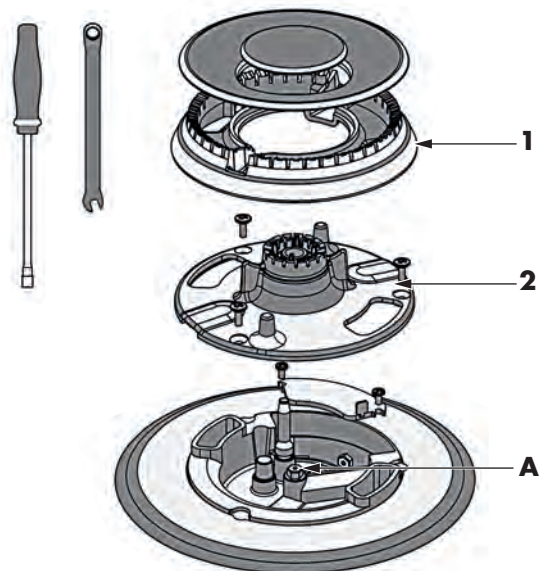
El aparato se debe desconectar del sistema de tuberías que suministran el gas cerrando la válvula manual individual de cierre siempre que se realice cualquier prueba de presión en dicho sistema en la que las presiones de comprobación sean equivalentes o inferiores a 1/2" PSIG (3,5 kPa).

El aparato, así como la válvula individual de cierre, deben desconectarse del sistema de tuberías del suministro de gas durante cualquier prueba de presión realizada en dicho sistema en la que las presiones de comprobación sobrepasen los 1/2" PSIG (3,5 kPa).

Cuando compruebe el funcionamiento del regulador, asegúrese de que la presión de suministro de gas natural se encuentre entre 6 y 14 pulgadas de columna de agua o, entre 11 y 14 pulgadas en caso de que el electrodoméstico haya sido convertido al uso con gas LP.

LA PRUEBA DE PRESIÓN DEBERÁ REALIZARSE POR MEDIO DE LA ZONA DE CONEXIÓN DEL INYECTOR

VISTA DE LAS PIEZAS DEL QUEMADOR



**Método de la prueba de presión**

- Retire la parrilla y la tapa del quemador (1).
- Retire el difusor del gas de aluminio (2).
- Retire provisionalmente los inyectores (A).
- Conecte el instrumento de prueba de presión en la zona roscada del soporte del inyector (M6x0,75).
- Controle que la placa de cocción tiene la presión correcta.
- Sujete el inyector que había quitado para hacer la prueba y vuelva a colocar las piezas en la posición correcta.

**Conexión del Gas**

- Conecte el regulador de presión del aparato con la conexión macho de 1/2" (ambos se suministran con el aparato).
- Conecte el regulador de presión a las roscas de entrada de la válvula distribuidora de gas con las juntas que se suministran con el electrodoméstico. El regulador está marcado con una flecha que le indicará la dirección correcta del flujo de gas. Asegúrese de que el regulador del electrodoméstico está instalado con la flecha señalando hacia la entrada de la válvula distribuidora de gas y asegúrese también de que la parte superior del regulador está dirigida hacia la parte frontal del armario, de forma que se pueda acceder a ella fácilmente desde las puertas del armario.
- Conecte al suministro de gas una válvula de cierre que se encuentre en un lugar accesible para poder cerrar o abrir con facilidad el suministro de gas del electrodoméstico.
- Instale un acoplamiento entre el regulador y la válvula de cierre para completar la conexión.
- Asegúrese de que las juntas de conexión de los tubos del gas estén bien apretadas.
- Compruebe la alineación de las válvulas después de conectar la placa de cocción al suministro de gas, para asegurarse de que la tubería de distribución no se ha movido.

Excepto en caso de estar prohibido por las normativas locales u ordenanzas, para conectar este electrodoméstico al suministro de gas, puede utilizar un conector flexible de metal con certificación A.G.A. El conector debe tener un diámetro interior nominal no inferior al de una tubería de 1/2 NPT y no debe medir más de 1,52 m de largo. En cada extremo del conector se requiere un adaptador de conexión cónico 1/2 NPT x 1/2. Si utiliza un conector flexible, asegúrese de que el regulador de presión del aparato y la válvula de cierre estén firmemente unidos a otras tuberías sólidas permanentes (ya sean del suministro de gas o de la entrada del electrodoméstico), de forma que queden bien fijas y estables.

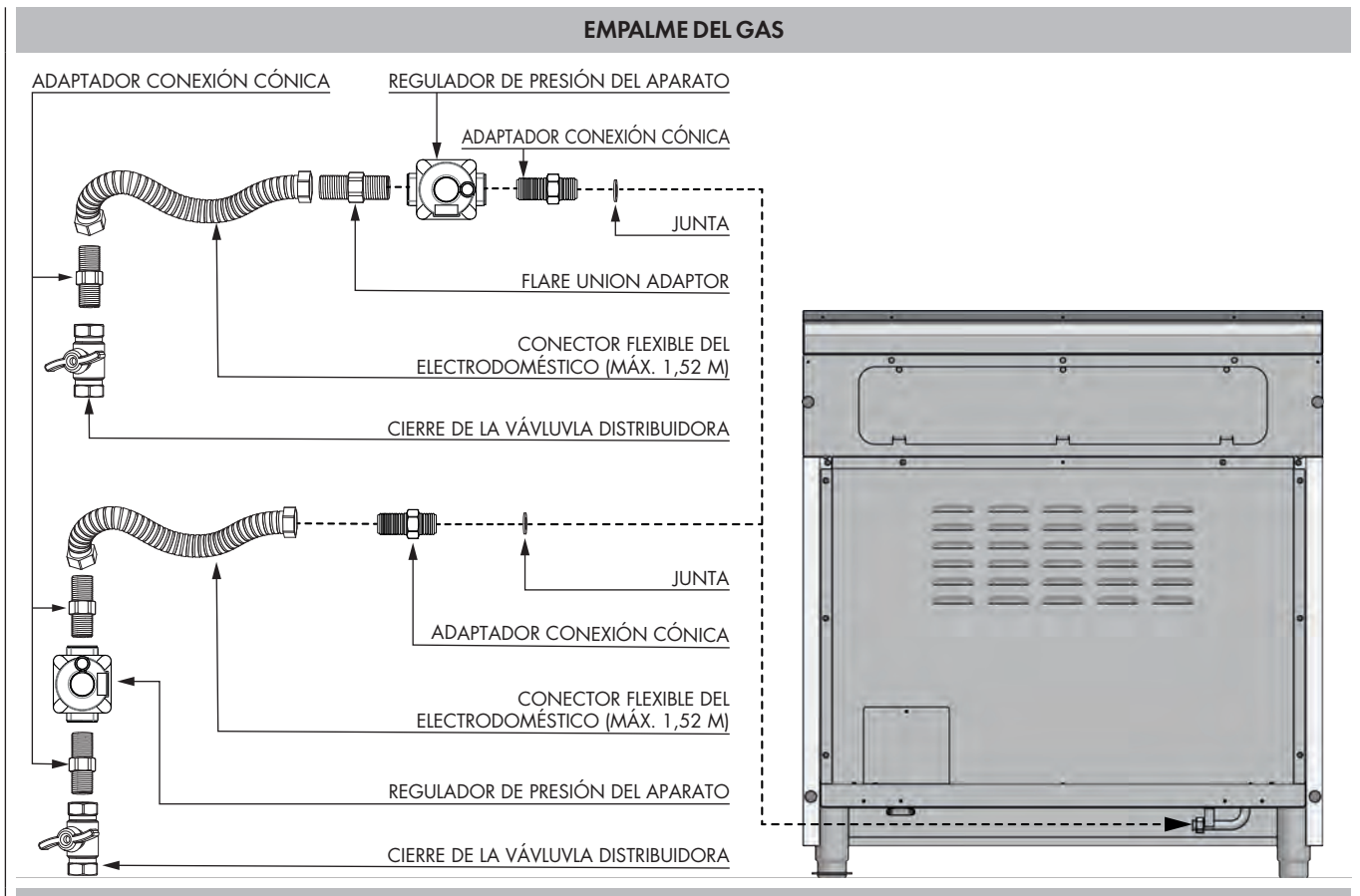
**ATENCIÓN**

No intente acoplar un conector flexible a una rosca externa. Para efectuar la conexión es necesario utilizar adaptadores de conexión cónica

**INSTALACIONES ALTERNATIVAS PARA CONECTAR EL ELECTRODOMÉSTICO AL SUMINISTRO DE GAS LA CONEXIÓN DEL SUMINISTRO DE GAS DEBE SER EFECTUADA POR UN TÉCNICO CUALIFICADO O UN INSTALADOR DE ELECTRODOMÉSTICOS DE GAS. La prueba de fugas debe ser llevada a cabo por el instalador, que tendrá que seguir las instrucciones suministradas.**

Instalaciones en el Estado de Massachusetts:

1. La válvula de cierre debe ser una con conexión en "T".
2. El conector flexible de gas no debe medir más de 36 pulgadas de largo.
3. El producto no está homologado para ser instalado en dormitorios o baños a no ser que se predisponga una instalación de ventilación directa.



## Conversión del Electrodoméstico para su Uso con Gas LP

### ⚠ ADVERTENCIA

La conversión a propano debe ser efectuada por un **INSTALADOR CUALIFICADO** (o una agencia homologada) de acuerdo con las instrucciones del fabricante y con las normas y requisitos de la autoridad pertinente. La inobservancia de tales instrucciones podría derivar en graves lesiones o en daños a la propiedad. La agencia homologada que lleva a cabo la conversión asume la responsabilidad de la operación.

### ⚠ ATENCIÓN

Antes de proceder con la conversión, desconecte el suministro de gas del aparato antes de desconectar la energía eléctrica.

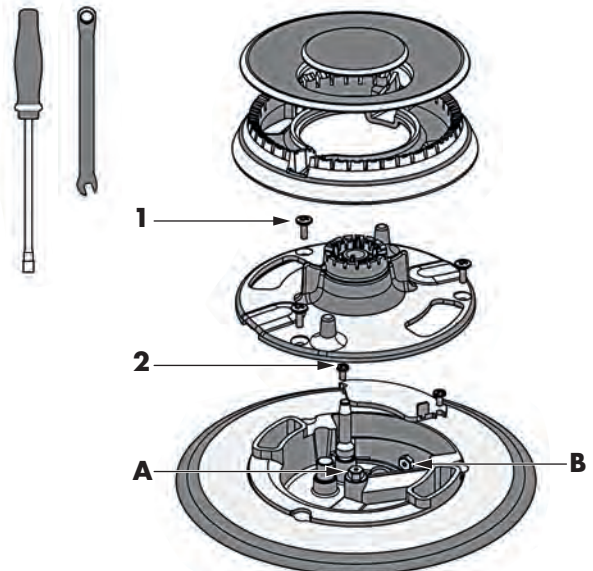
El equipo ha sido configurado en fábrica para su uso con gas natural. Si desea efectuar la conversión para utilizarlo con gas LP (propano o butano), debe llevar a cabo las siguientes modificaciones:

La etiqueta de conversión de gas (aluminio) debe colocarse en la parte posterior del aparato, cerca de la placa de datos, tras haber realizado la conversión;

### Sustitución de los inyectores (quemadores de doble corona de combustión)

1. Quite las rejillas y las tapas de los quemadores
2. Quite los difusores de gas de aluminio
3. Quite los tres tornillos del difusor del gas (1)
4. Quite los dos tornillos de la tapa del inyector (2)
5. Suelte el inyector (A) girando el desarmador 9-32" (7 mm) hacia la izquierda en sentido antihorario;
6. Suelte el inyector girando la llave de estrecha (B) 9-32" (7 mm) hacia la izquierda en sentido antihorario
7. Instale los inyectores en dotación con estos electrodomésticos en los quemadores apropiados. Los inyectores tienen un pequeño número grabado en un lado; este número codifica el diámetro del orificio y la correcta colocación del quemador (consultar las imágenes en la sección "Posición de los inyectores").
8. Gire a la derecha en sentido horario para apretar (apriete con un par de 15 a 20 pulgadas-libras)
9. Sustituya todas las piezas siguiendo el orden al contrario
10. Conserve los inyectores que ha quitado del electrodoméstico para un uso futuro.

### VISTA DE LAS PIEZAS DEL QUEMADOR



### Sustituya inyector (plancha)

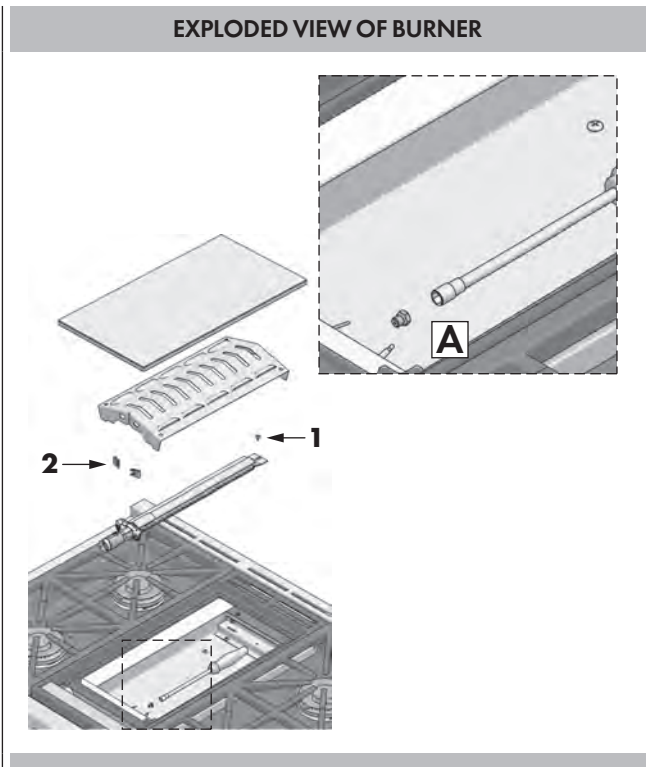
1. Remueva el plato de la plancha.
2. Remueva la tapa del quemador.
3. Remueva el tornillo de fijación del quemador (1).
4. Remueva los muelles (2) del termopar y cebador para cambiar el quemador.
5. Remueva el inyector (A) usando una llave de tuerca 9-32" (7 mm) en sentido horario.
6. Instale el inyector suministrado con este dispositivo. El inyector tiene unos números pequeños estampados en un lado, este número corresponde con el diámetro del orificio.
7. Gire en sentido horario para apretar (apriete a un par de torsión de 15 a 20 pulgadas-libras.)
8. Reemplace todas las partes siguiendo el orden inverso.
9. Conserve los inyectores removidos del dispositivo para usos futuros.

### Conversión del Regulador de Presión

El dispositivo ha sido concebido para ser utilizado con gas NG o LP. Se suministra el regulador de presión de gas. Debe instalarse en la línea de entrada del gas delante del colector entregado con el aparato. Para la utilización con otro gas diferente, es necesario convertir el dispositivo.

**Para convertir el regulador de presión siga las instrucciones que se recogen a continuación:**

- Desconecte todos las alimentaciones eléctricas y el interruptor de seguridad principal o la caja de fusibles.
- Desconecte el suministro del gas de la placa de cocina cerrando la válvula de cierre manual.
- Ajuste el regulador de presión siguiendo las siguientes instrucciones (véase la figura)
  1. Desenrosque la tapa del regulador
  2. Desenrosque el tapón de conversión de plástico de la tapa girando por encima y por detrás del tornillo (sección transversal de la tapa para LP contra la tapa para NG). Véase las figuras de abajo.
  3. Cambiar el tapón del regulador teniendo cuidado de colocar bien la junta.



**Realizar la conversión del regulador de presión observando la posición LP/Propano para terminar la conversión.**

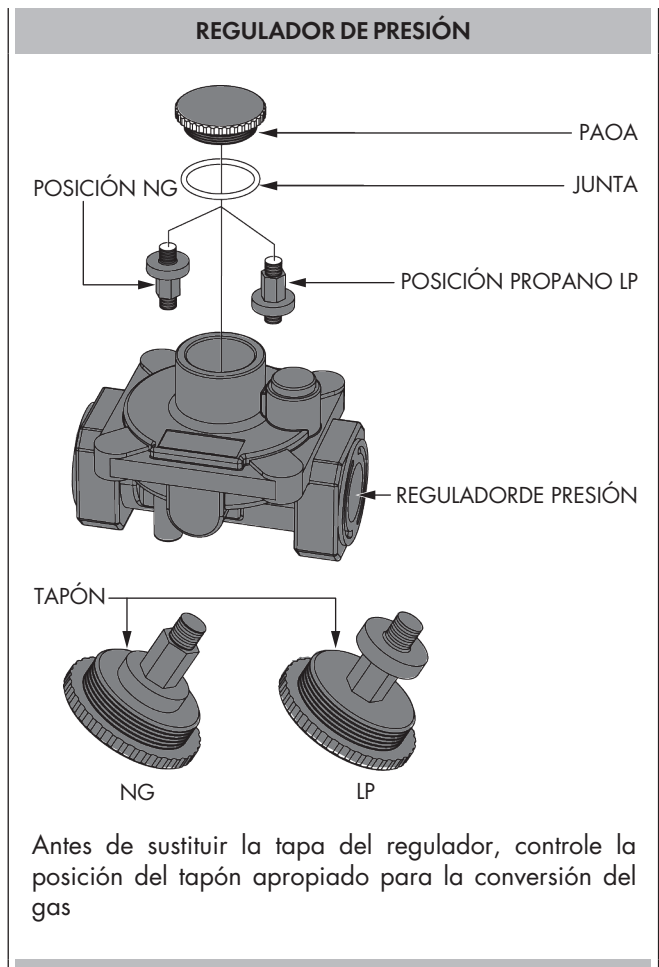
Después de haber sustituido los inyectores ajuste los quemadores de combustión (véase "Graduación de la llama baja"). Controle el aspecto de la llama de todos los quemadores en los ajustes de H/L/O, si la llama es demasiado grande o demasiado pequeña, asegúrese de haber seguido todos los pasos correctamente.

### Conversión de los Electrodomesticos para Utilizarlos con Gas NG

Este electrodoméstico puede adaptarse al gas NG (gas natural) y para ello es preciso realizar cada una de las siguientes modificaciones.

1. Conmutar el regulador de presión en la posición NG conformemente con las indicaciones de la sección "Conversión del regulador de presión".
2. Sustituya todos los inyectores siguiendo los pasos que se describen en la página anterior, observando los números grabados a un lado; estos números codifican el diámetro de los orificios y dan la correcta localización de los quemadores (consultar las imágenes en la sección "Posición de los inyectores").
3. Ajuste la llama del quemador (véase "Graduación de la llama baja")

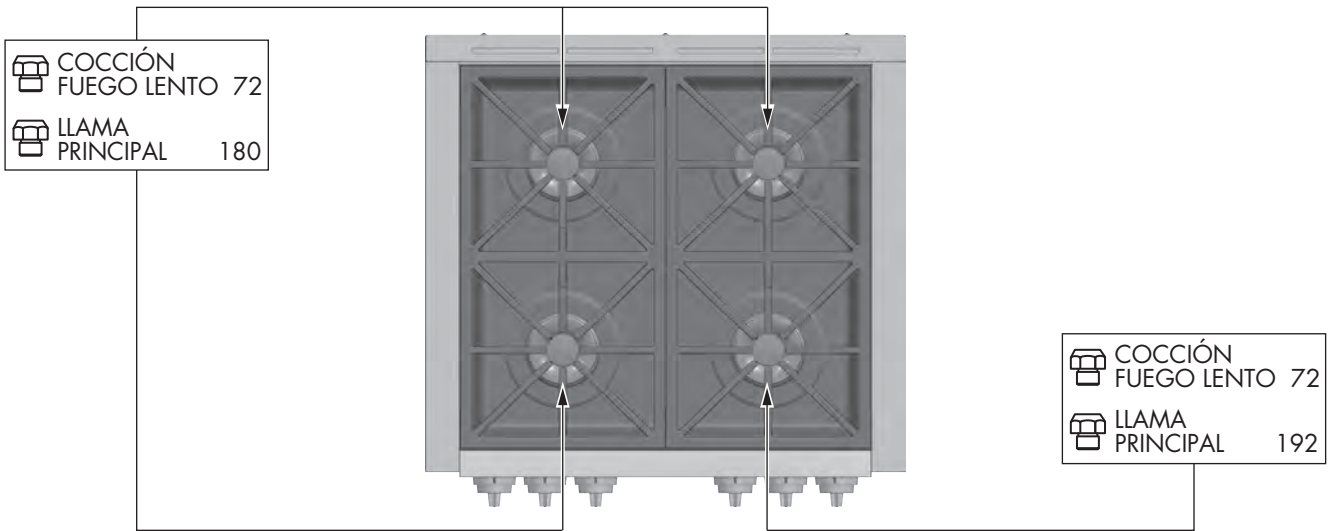
Controle el aspecto de la llama de todos los quemadores en los ajustes, si la llama es demasiado grande o demasiado pequeña, asegúrese que ha seguido todos los pasos correctamente.



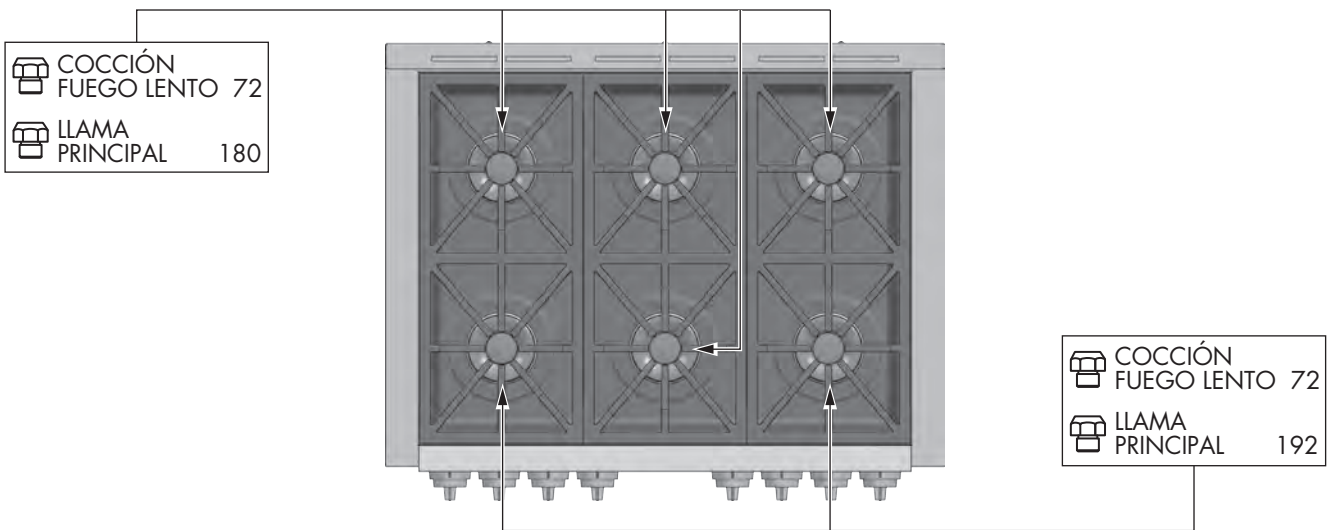


**POSICIÓN DE LOS INYECTORES**

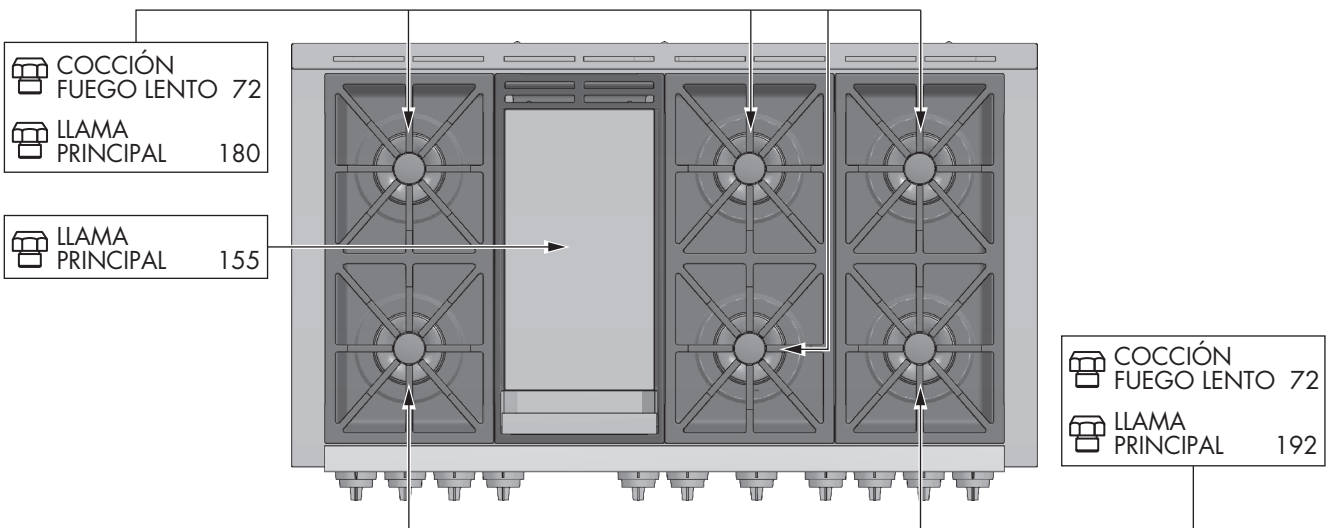
**NG- DOBLE CORONA DE COMBUSTIÓN 30"**



**NG- DOBLE CORONA DE COMBUSTIÓN 36"**

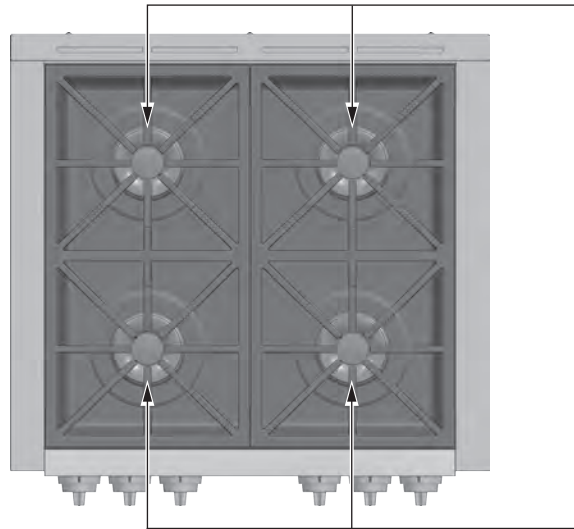


**NG- ANILLO DE LLAMA DUAL & PLANCHA 48"**



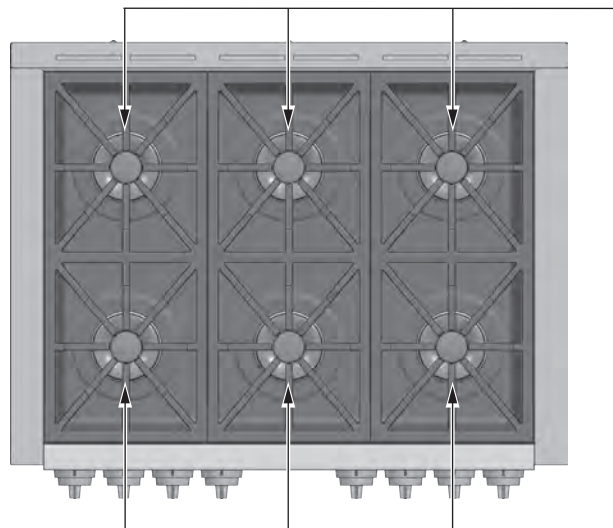
POSICIÓN DE LOS INYECTORES

LP- DOBLE CORONA DE COMBUSTIÓN 30"



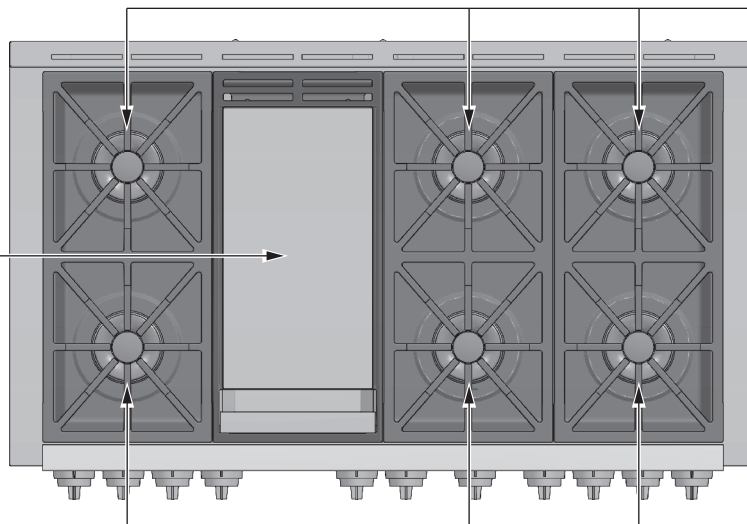
-  COCCIÓN FUEGO LENTO 50
-  LLAMA PRINCIPAL 105

LP- DOBLE CORONA DE COMBUSTIÓN 36"



-  COCCIÓN FUEGO LENTO 50
-  LLAMA PRINCIPAL 105

LP- ANILLO DE LLAMA DUAL & PLANCHA 48"



-  LLAMA PRINCIPAL 94

-  COCCIÓN FUEGO LENTO 50
-  LLAMA PRINCIPAL 105



## Graduación de la Llama Baja

### PELIGRO

**No encienda los quemadores con cerillas: es peligroso. Utilice cerillas para encender los quemadores solo durante una emergencia.**

Encienda una cerilla y acerque la llama al quemador que desee encender. Las cerillas más aconsejables son las de madera. Presione y gire el mando lentamente. Asegúrese de que está girando el mando que corresponde al quemador que desea encender.

**NOTA:** Si el quemador no se enciende a los cinco segundos, gire el mando hasta la posición de apagado y espere un minuto antes de volver a intentarlo.

### ADVERTENCIA

Por favor, preste atención cuando trate de medir el cono interior de la llama. Podría quemarse.

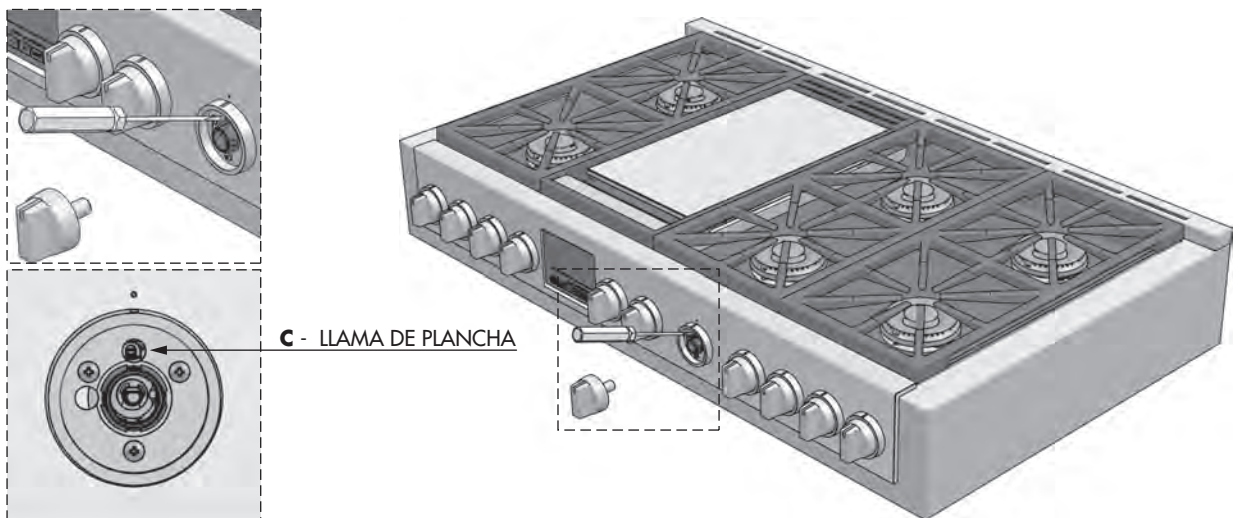
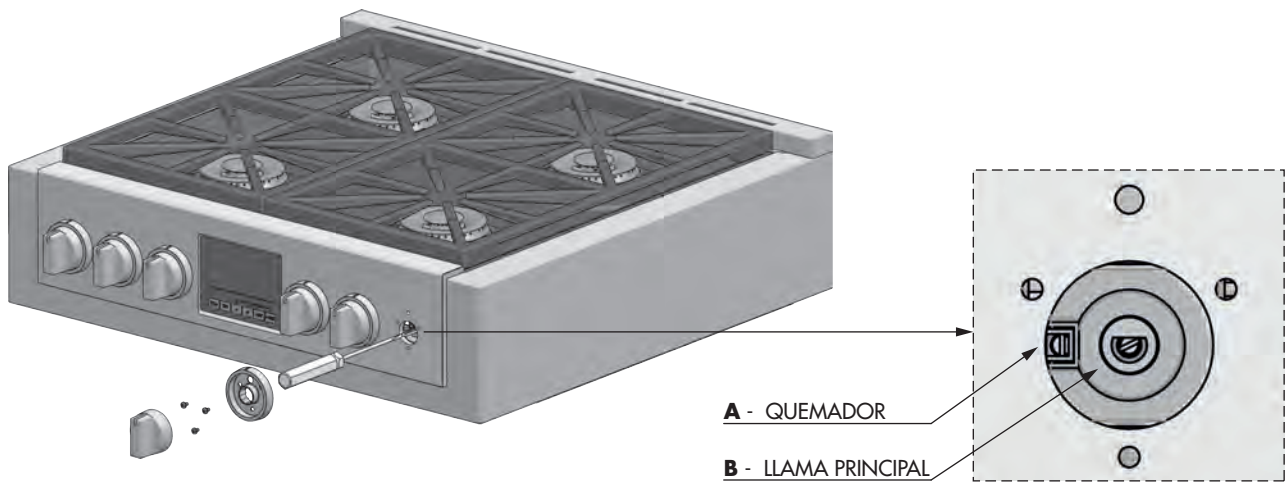
La placa de cocción se prepara en fábrica con una configuración de la llama baja y la llama media adaptadas a un uso con gas natural.

Si necesita cambiar la graduación o convertirla a LP, siga este procedimiento:

#### Ajuste de los quemadores con llama de una sola corona o doble coronas:

1. Encienda el quemador y gire el mando hasta graduar la llama en intensidad baja.
2. Retire el mando del vástago de la válvula.
3. Retire el asiento del mando del panel de mandos.
4. Introducir un destornillador de punta plana en la ranura en el centro del vástago de la compuerta (A, B o C) e introducir la punta en la ranura del tornillo de regulación.
5. Gire el destornillador dentro del vástago para graduar la intensidad de la llama:

### GRADUACIÓN DE LA LLAMA



- gire en el sentido de las agujas del reloj para reducir la llama
- gire en el sentido contrario a las agujas del reloj para aumentarla

6. Cuando haya acabado, vuelva a colocar el mando.

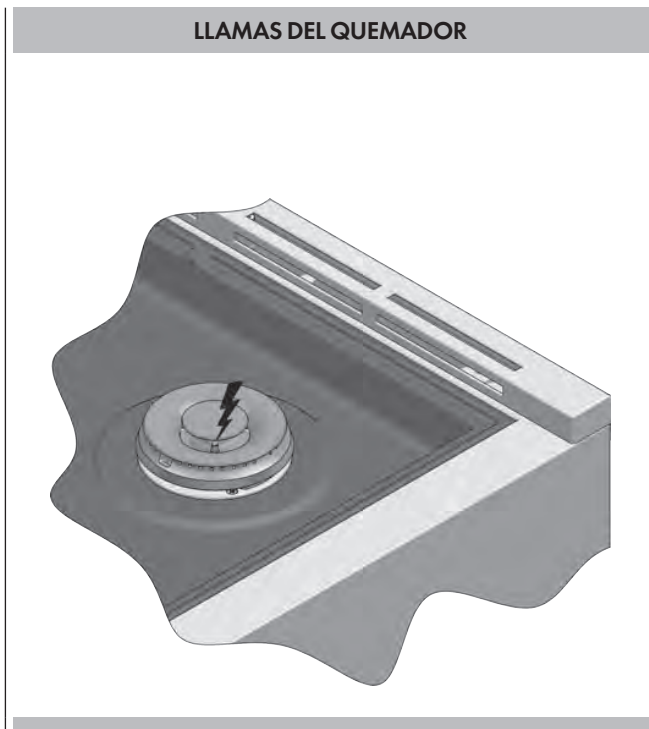
Si ha realizado el ajuste de manera correcta, obtendrá una llama azul estable de intensidad mínima. El último paso para comprobar que ha hecho bien el ajuste de la graduación es girar el mando de la intensidad más alta a la más baja varias veces, sin apagar la llama. El ajuste que ha efectuado en la llama baja le proporcionará automáticamente el ajuste adecuado de la llama media. Una vez completados los pasos de conversión, compruebe la llama de todos los quemadores con el mismo procedimiento: pasando de la intensidad máxima a la mínima.

Si la llama le parece demasiado fuerte o demasiado débil, repita los pasos de conversión para asegurarse de que los ha seguido correctamente.

**NOTA:** Para obtener el ajuste mínimo correcto con gas LP, gire en el sentido horario un destornillador de hoja delgada introducido en la cavidad correspondiente al centro del vástago hasta apretar a fondo la válvula. (A o B)

### Ignición eléctrica del gas

Los quemadores de gas están provistos de un dispositivo eléctrico de encendido cerca de cada quemador para garantizar que los quemadores se encienden automáticamente.



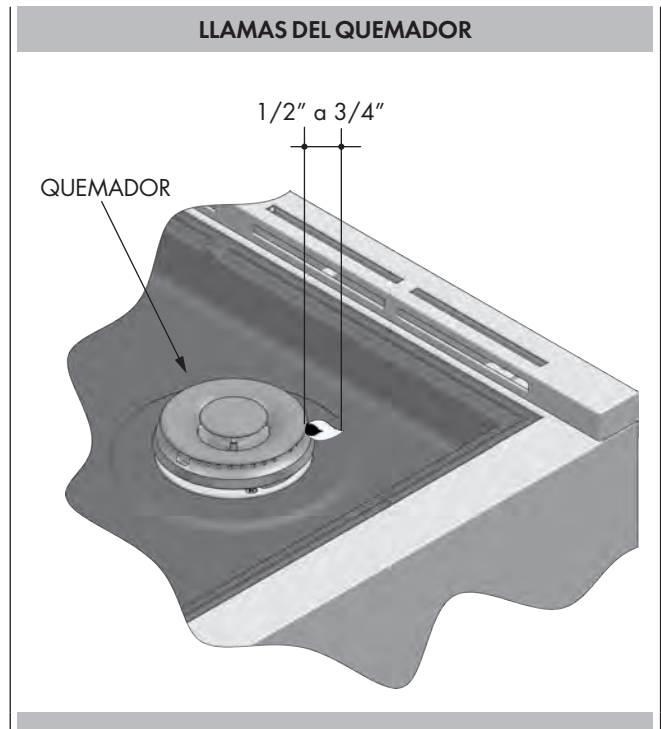
Ver el Manual de uso & mantenimiento para una explicación mejor del funcionamiento de la placa de cocción.

### Las llamas del quemador

Encienda todos los quemadores. Las llamas deberían ser de color azul con un toque de amarillo.

No deberían agitarse o alejarse del quemador.

El cono interior de la llama debería ser de entre 1/2" (1,2 cm) y 3/4" (1,9 cm) de largo.



Antes de instalar el horno, hacer que un electricista competente verifique que su instalación eléctrica doméstica es correcta y que al añadir el horno, no se pueda producir una sobrecarga en el circuito de derivación en el que está instalado. Su aparato debe estar instalado adecuadamente y ser conectado a tierra por un electricista cualificado. Pida a su vendedor que le aconseje un técnico cualificado o un centro de reparación autorizado. Este aparato está fabricado con un cable de TIERRA verde conectado con la estructura del horno. Posición de la caja de empalmes o de la caja empotrada. Para la posición sugerida de la caja de empalmes o de la caja empotrada, ver el párrafo "Exigencias de corte".



Hay que respetar prioritariamente sobre estas instrucciones las normas y las reglas locales. Efectuar las conexiones eléctricas conformemente a las normas y a las reglas locales.

Un empalme de conducto conforme UL.

- Las dimensiones de los cables y las conexiones deben estar adaptadas a los valores nominales de la cocina.
- El esquema de cableado está colocado en la parte trasera de la cocina o en una bolsa de plástico transparente.

**Estados Unidos:**

Compruebe que las conexiones eléctrica y de tierra y las dimensiones de los hilos son adecuadas y conformes con el « National Electrical Code », ANSI/ NFPA 70-última edición y con todos los códigos y reglamentaciones locales.

**Canadá:**

Comprobar la alimentación eléctrica y las dimensiones de los cables estén adaptadas y sean conformes con el CSA Standard C22.1, Canadian Electrical Code, Part 1 - última edición y con todos los códigos y las reglas locales.

**⚠ ADVERTENCIA**

Riesgo de electrocución, estructura de la toma de tierra conectada al neutro del aparato a través de un enlace.

Está prohibido efectuar la toma de tierra a través de un conductor neutro para la instalación de un circuito de derivación nuevo (1996 NEC); las casas móviles y los vehículos de ocio, o en una zona en la que la toma de

tierra a través de del conductor neutro está prohibida. Para instalaciones en las que la toma de tierra a través del conductor neutro está prohibida:

- Desconectar la tierra del neutro en el extremo libre del circuito;
- Utilizar el terminal de toma de tierra o llevarlo hasta la unidad de toma de tierra
- Utilizar el terminal neutro o llevarlo hasta el neutro del circuito de derivación operando como de costumbre.

El horno está concebido para ser empalmado a una alimentación eléctrica de tres o de cuatro cables, monofásica, 120/240 o 120/208 Voltios, 60 Hz AC, en un circuito separado dotado de fusibles en los dos lados de la línea (se recomienda prever un seccionador o un fusible temporizado).

No instalar fusible en el neutro.

**ADVERTENCIA :** PARA LA UTILIZACIÓN CON TENSIÓN DE ALIMENTACIÓN DE 208 V, 60 HZ, VER LOS EMPALMES CON UN CIRCUITO DE 208 V.

| REQUISITOS ELÉCTRICOS ESTUFAS CON HORNO 30" o 36" |                                 |              |
|---|---------------------------------|--------------|
| Suministro eléctrico                              | 120-240V or 120-208V, 60 Hz     |              |
| Servicio  | Circuito dedicado de 30 amperes |              |
| Total de amperes                                  | 120/240V                        | 16.9 Amperes |
|   | 120/208V                        | 17.5 Amperes |
| Carga máxima conectada                            | 120/240V                        | 3.84 kW      |
|   | 120/208V                        | 3.54 kW      |
| Cable de suministro mínimo                        | L1, L2, a tierra                | - 12 AWG     |
|   | Neutro                          | - 16 AWG     |

| REQUISITOS ELÉCTRICOS ESTUFAS CON HORNO 48" |                                 |              |
|---|---------------------------------|--------------|
| Suministro eléctrico                        | 120-240V o 120-208V, 60 Hz      |              |
| Servicio                                    | Circuito dedicado de 50 amperes |              |
| Total de amperes                            | 120/240V                        | 31.3 Amperes |
|   | 120/208V                        | 29.5 Amperes |
| Carga máxima conectada                      | 120/240V                        | 7.00 kW      |
|   | 120/208V                        | 6.00 kW      |
| Cable de suministro mínimo                  | L1, L2, a tierra                | - 10 AWG     |
|   | Neutro                          | - 12 AWG     |

**⚠ ADVERTENCIA**

**PELIGRO DE ELECTROCUCIÓN**

- La alimentación eléctrica del circuito derivado del aparato tiene que desconectarse cuando se están realizando las conexiones de la línea.
- No utilice alargadores con el aparato.
- El aparato precisa de una toma de puesta a tierra. El final libre del hilo verde (el hilo de tierra) tiene que conectarse con una toma de tierra apropiada. Este hilo tiene que permanecer conectado a tierra al aparato.
- Si la línea de agua fría se interrumpe con empaques de plástico, no con juntas de estanquidad metálicas, conexiones de unión o materiales aislantes, NO utilice para la puesta a tierra.
- NO conecte a tierra a la tubería del gas.
- NO tenga un fusible en el circuito de NEUTRO o de TIERRA.
- Un fusible en el circuito de NEUTRO o en el de TIERRA puede provocar descargas eléctricas.
- Consulte con un electricista cualificado en el caso de que tenga alguna duda si su aparato está bien conectado a tierra.
- Equivocarse al seguir estas instrucciones puede provocar heridas graves o la muerte.

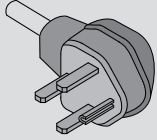

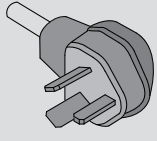
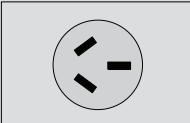
**PRECAUCIÓN**

No repare o remplace ninguna parte del aparato si no está específicamente recomendado en el manual. Todas las demás operaciones de mantenimiento tiene que realizarlas un técnico cualificado. Para reducir el riesgo de heridas personales o daños al aparato.

Nunca modifique o altere la construcción del aparato eliminando paneles, forros de hilos, tornillos o cualquier otra parte del producto.

**Cable de alimentación eléctrica conectado en fábrica**

Su cocina está equipado con un cable alimentación eléctrica conectado en fábrica. El cable debe estar conectado a un enchufe con toma de tierra de 120/240 V o de 120/208 V. Si no existe un enchufe disponible, haga que un electricista cualificado lo instale.

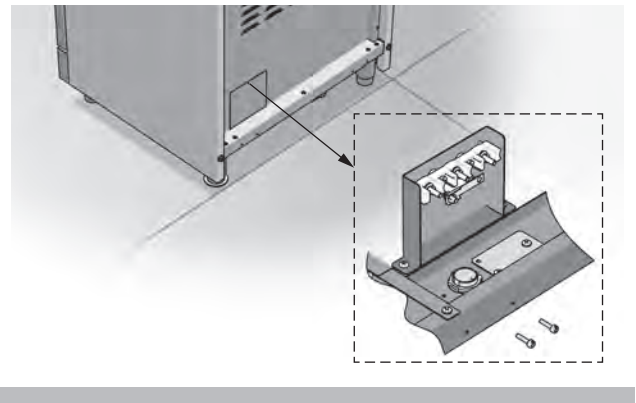
| CABLE DE ALIMENTACIÓN ELÉCTRICA   |   |
|---|---|
|   |    |
| NEMA 14-50P Plug  | NEMA 10-50P Plug (solamente para US)  |
|  |  |
| NEMA 14-50R Receptacle  | NEMA 10-50R Receptacle (solamente para US)  |

**Cable de alimentación eléctrica o conducto flexible (solamente para US)**

El utilizador es responsable de la conexión del cable de alimentación eléctrica al bloque de empalme que se encuentra detrás de la portezuela de acceso al panel trasero. El aparato debe estar empalmado con un cable de alimentación eléctrica. Utilizar solamente un cable de alimentación a 125/250 V min. y adaptado para utilizarlo con cocinas. El cable debe tener 3 o 4 conductores. Los terminales del extremo de los cables deben estar cerrados en círculo o terminales de horquilla con extremos curvados. Para las cocinas de 30", 36" et 48", utilizar un cable de alimentación calibrado al menos a 50A para ser utilizado con aberturas de conexión con diámetro nominal de 1-3/8 en (34.93 m).

- 1) Desconectar la alimentación.
- 2) Retirar los tornillos de la tapa de la placa de bornes situada en la parte trasera de la cocina.

**POSICIÓN DEL EMPALME ELÉCTRICO**

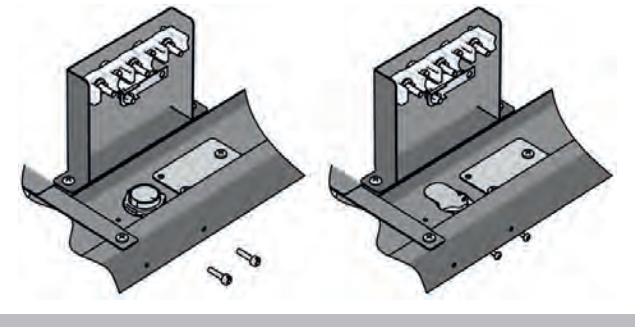


- 3) Añadir el dispositivo de descarga si no ha sido entregado. **ADVERTENCIA** : si es necesario, retirar el pre-recorte para poner en su lugar el dispositivo de descarga.

**Cable de alimentación eléctrica o conducto flexible (solamente para US)**

- Añadir un dispositivo de descarga UL en la apertura.

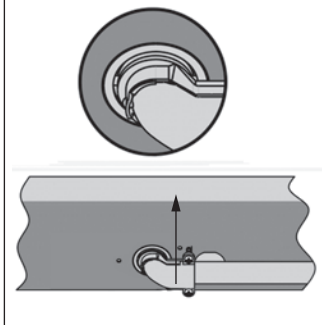
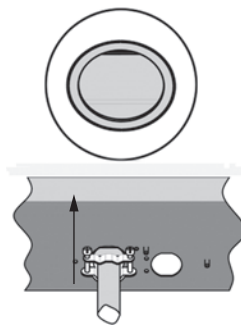
**DISPOSITIVO DE DESCARGA HOMOLOGADO UL**



- Introducir el cable de alimentación o el conducto flexible a través del dispositivo de descarga hasta la placa situada en el fondo de la cocina. Dejar un juego suficiente para fijar cómodamente el cableado en la placa de bornes.
- Apretar el tornillo del dispositivo de descarga contra el cable de alimentación eléctrica o el conducto flexible.

**CABLE DE ALIMENTACIÓN**


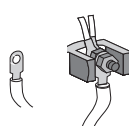

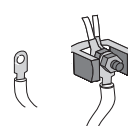
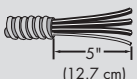
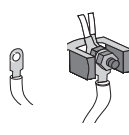
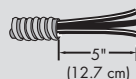
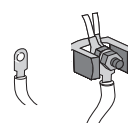
**TUBO FLEXIBLE**



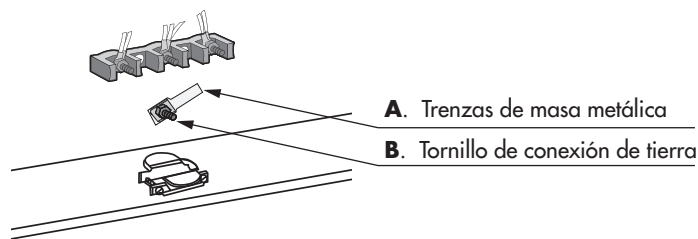
- 4) Terminar la instalación siguiendo las instrucciones adecuadas a su tipo de conexión eléctrica:
  - 4 cable (recomendada)
  - 3 cables (si la conexión con 4 cables no está disponible)



OPCIONES DE CONEXIÓN ELÉCTRICA

| SI SU CONEXIÓN RESIDENCIAL ES:   | Y SE VA A CONECTAR A:   | TIPO DE CONEXIÓN:   | SI SU CONEXIÓN RESIDENCIAL ES:   | Y SE VA A CONECTAR A:   | TIPO DE CONEXIÓN:   |
|--|---|---|--|---|---|
| 4 cables con receptáculo (NEMA tipo 14-50R)<br> | homologado UL A, 250 V min., 30 A, cable de alimentación de la cocina |  | 3 cables con receptáculo (NEMA tipo 10-50R)<br> | homologado UL A, 250 V min., 30 A, cable de alimentación de la cocina |  |
| 4 cables desconector<br>                        | con fusible directo A o caja de disyuntores                           |  | 3 cables desconector<br>                       | con fusible directo A o caja de disyuntores                           |  |

CAJA DE BORNES – CABLE DE TIERRA



Conexión de 4 cables

Quitar una parte de las trenzas de masa metálica.

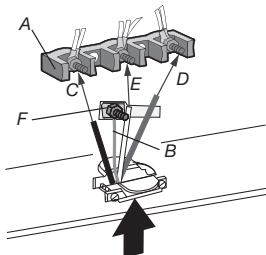
- 1) Con la ayuda de un destornillador Philips, quitar el tornillo de conexión de tierra de la parte trasera de la cocina. Guardar el tornillo de conexión de tierra y el extremo de conexión de tierra debajo del tornillo.
- 2) Dirigir el cable de alimentación eléctrica a través del dispositivo de descarga hasta la placa para cable/ conducto situada en el fondo de la cocina. Dejar un juego suficiente para fijar cómodamente el cableado en la placa de bornes.
- 3) Con la ayuda de un destornillador Philips, conectar el cable verde del cable de alimentación eléctrica a la cocina por medio del tornillo de empalme de tierra. Fijar primero el cable de tierra.
- 4) Con la ayuda de un destornillador de 3/8", conectar el cable neutro (blanco) al bloque de bornes de entrada por medio de una tuerca hexagonal 10-32. («Consultar el cuadro "Opciones de conexión eléctrica" para el tipo de empalme apropiado)
- 5) Conectar los cables de la línea 1 (negra) y la línea 2 (blanca) al bloque de bornes exterior con tuercas hexagonales 10-32.
- 6) Apretar a fondo las tuercas hexagonales.
- 7) Colocar de nuevo la portezuela de acceso al bloque de bornes.

Conexión de 3 cables

No utilizar este método nada más que si las normas locales permiten empalmar el conductor de tierra de la estructura del cable neutro al cable de alimentación eléctrica:

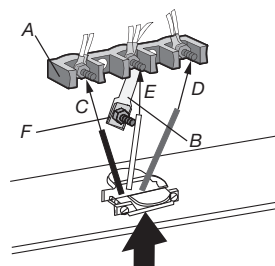
- 1) Introducir el cable de alimentación a través del dispositivo de descarga hasta la placa situada en el fondo de la cocina. Dejar un juego suficiente para fijar cómodamente el cableado en la placa de bornes.
- 2) Con la ayuda de un destornillador de 3/8", conectar el cable neutro (blanco) al bloque de bornes de entrada por medio de una tuerca hexagonal 10-32. («Consultar el cuadro "Opciones de conexión eléctrica" para el tipo de empalme apropiado)
- 3) Conectar los cables de la línea 1 (negra) y la línea 2 (blanca) al bloque de bornes exterior con tuercas hexagonales 10-32.
- 4) Apretar a fondo las tuercas hexagonales.
- 5) Colocar de nuevo la portezuela de acceso al bloque de bornes.

CONEXIÓN DE 4 CABLES



- A. Bloque de bornes
- B. Cable pelado o verde
- C. Cable negro L1
- D. Cable rojo L2
- E. Cable blanco neutro
- F. Tornillo de conexión de tierra

CONEXIÓN DE 3 CABLES



- A. Bloque de bornes
- B. Trenzas de masas
- C. Cable negro L1
- D. Cable rojo L2
- E. Cable blanco neutro
- F. Tornillo de conexión de tierra



**Conexión directa al disyuntor, a la caja de fusibles o a la caja de conexión**

Si el aparato está empalmado directamente al disyuntor, a la caja de fusibles o a la caja de conexión, utilizar un cable de cobre recubierto flexible, blindado o no metálico (con cable de toma de tierra).

**3 - CABLEADO DEL CIRCUITO DE DERIVACIÓN (solamente US)**

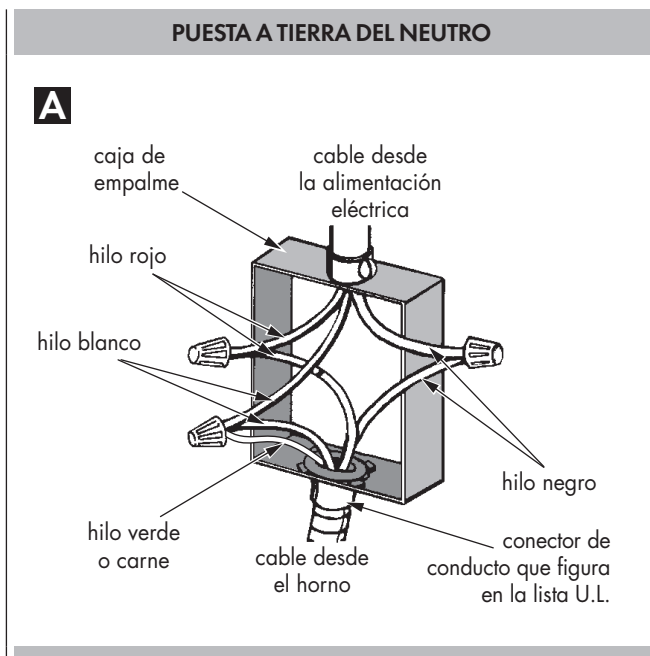
Ver la figura A para cualquier consulta :

Si los códigos locales permiten empalmar el cable de TIERRA de la cocina al cable NEUTRO del circuito de derivación (cable gris o blanco):

- Si las normas locales lo permiten, empalmar el cable verde de TIERRA que parte de la cocina y el cable blanco que va desde el horno al cable NEUTRO del circuito de derivación (cable gris o blanco).
- Conectar las clavijas negra y roja de la cocina a las correspondientes en la caja de conexión.

**NO efectuar el empalme de tierra en un tubo de entrada de gas.**

NO conectar la alimentación eléctrica mientras el aparato no esté conectado a la tierra de manera permanente. Conectar el cable de tierra antes de poner el aparato bajo tensión.



**CIRCUITO DE DERIVACIÓN DE 4 CABLES (solamente US)**

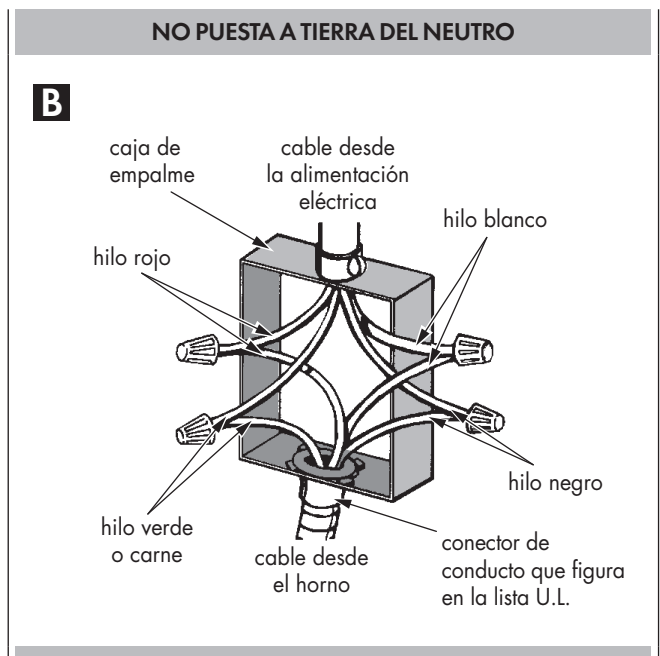
Refer to Figure B:

Ver la figura B para cualquier consulta :

- Desconectar la tierra del neutro en el extremo libre del conducto.
- Empalmar el cable de TIERRA verde de la cocina al cable de TIERRA de la caja de conexión (cable desnudo o verde)
- Conectar las clavijas negra y roja de la cocina a las correspondientes en la caja de conexión.
- Conectar el cable blanco de la cocina al NEUTRO (gris o blanco) de la caja de conexión.

**NO efectuar el empalme de tierra en un tubo de entrada de gas.**

NO conectar la alimentación eléctrica mientras el aparato no esté conectado a la tierra de manera permanente. Conectar el cable de tierra antes de poner el aparato bajo tensión.



Para evitar errores de empalme que pueden originar el deterioro de los componentes eléctricos y la pérdida de efecto de la garantía, seguir las indicaciones:

1. Comprobar los requisitos eléctricos y asegurarse de que la alimentación eléctrica es correcta y la cocina puesta a tierra correctamente.
2. Antes de conectar la estufa, conecte la alimentación eléctrica.
3. Comprobar la llegada de corriente a los cables de la caja de conexión con un voltímetro 0-250 VAC. Si el horno ha sido instalado para ser utilizado con una alimentación de 240 V, el voltaje entre los hilos negro y rojo (línea a línea) tendría que estar comprendido entre 220 y 240 V. Si el horno ha sido instalado para ser utilizado con una alimentación de 208 V, el voltaje entre los hilos negro y rojo tendría que estar comprendido entre 190 y 208 V.
4. Conecte la estufa a la alimentación eléctrica.
5. Ajustar el reloj de la manera siguiente:
  - Pulsar la tecla **TIME** hasta que aparezca «SET TIME».
  - Pulsar inmediatamente las teclas **+** o **-** para ajustar la hora.
  - Pulsar otra vez el botón **TIME** para cambiar los minutos.
  - Pulsar inmediatamente las teclas **+** o **-** para ajustar los minutos; mantener apretado para cambiar los minutos de 10 en 10.
  - Pulsar **TIME** o esperar unos segundos.

Ahora el reloj está regulado.
6. Probar el modo de cocción procediendo de la manera siguiente:
  - Situar el botón de modo de cocción en la posición «BAKE».
  - El ventilador de enfriamiento, las luces del horno y el testigo de precalentamiento se encienden.
  - Un bip sonoro indica que el horno ha llegado a la temperatura de consigna de 350° °F (175° °C) y el testigo de precalentamiento se apaga.
  - Volver a poner el botón en la posición «OFF» para interrumpir la cocción.
7. Para probar las otras funciones del horno, consultar la sección «USO DE LOS MANDOS DEL HORNO» del manual de uso y mantenimiento.
8. Si el horno funciona correctamente, cortar la alimentación eléctrica.
9. Poner la tapa en la caja de conexión y comprobar que está bien fijada antes de volver a encender la alimentación eléctrica del horno.

**CONEXIÓN A UN CIRCUITO DE 208 VOLTIOS**

Esta opción se suministra para áreas en donde el servicio de 240 voltios estándar no se encuentra a disposición. Se tiene que acceder a esta opción con el horno conectado a la toma de corriente y utilizar la siguiente secuencia:

1. En el intervalo de cinco minutos después del encendido, mantenga pulsadas las teclas **MENU** y **TIME** durante 3 segundos para acceder al menú de opciones de usuario. La pantalla mostrará lo siguiente:



2. A continuación, mantenga pulsadas las teclas **TIME** y **LIGHT** hasta que la pantalla se oscurezca.
3. Mantenga pulsadas **MENU** y **LIGHT** durante más tiempo hasta que la pantalla de hora muestre "Volt" y "240" parpadee en el módulo de temperatura a la espera de una entrada.



4. Al utilizar las teclas **+** o **-**, el control conmutará entre las opciones de 240 V y 208 V. Mantenga pulsada **MENU** para confirmar.
5. Mantenga pulsadas las teclas **TIME** y **LIGHT** para salir de la selección.
6. Mantenga pulsada la tecla **MENU** durante 3 segundos para salir del menú de opciones de usuario.

La configuración de voltaje se almacena y se guarda incluso después de un largo apagado.



**IMPORTANT**

Dejar estas instrucciones de **INSTALACIÓN** y el **MANUAL DE USO Y MANTENIMIENTO** al propietario.











**FULGOR** MILANO

---