

Induction Cooktop

36" Induction Cooktop

FCCI3627AB

Available Colors : Black

Version : 01/22

Cooktop

| | |
|----------------------|--------|
| Auto Pan Detect | Yes |
| Bridge Element | Yes |
| Cooking Surface Type | Smooth |

Cooktop Performance

| | |
|---------------------------------|-----------------------------|
| Right Front Element Burner Size | 8" |
| Right Rear Element Burner Size | 6" |
| Left Front Element Burner Size | 7" |
| Left Rear Element Burner Size | 7" |
| Center Element Burner Size | 8" |
| Right Front Element Burner | 2,300 / 3,600 Watts (Boost) |
| Right Rear Element Burner | 1,450 / 2,500 Watts (Boost) |
| Left Front Element Burner | 1,800 / 2,600 Watts (Boost) |
| Left Rear Element Burner | 1,800 / 2,600 Watts (Boost) |
| Center Element Burner | 2,300 / 3,600 Watts (Boost) |

Display

| | |
|-------------------------|-------|
| Control Location | Front |
| Display Interface Color | Red |

Dimensions and Volume

| | |
|----------------------|---------|
| Height | 2 7/8" |
| Width | 36 3/4" |
| Depth | 21 3/8" |
| Cutout Height | 3 5/8" |
| Minimum Cutout Width | 33 7/8" |
| Minimum Cutout Depth | 19 1/8" |
| Maximum Cutout Width | 36 1/8" |
| Maximum Cutout Depth | 20 1/2" |

Electrical Specifications

| | |
|--------------------------|---------|
| Amps @ 240 Volts | 40 Amps |
| Minimum Circuit Required | 40 Amps |

General Specifications

| | |
|------------------|--------|
| Warranty - Labor | 1 Year |
| Warranty - Parts | 1 Year |

Certifications and Approvals

| | |
|---------------|-----|
| ADA Compliant | Yes |
|---------------|-----|

Safety Certifications and Approvals

| | |
|------------|-----|
| UL Listed | Yes |
| cUL Listed | Yes |
| RoHS | Yes |

Note: For planning purposes only. Always consult local and national electric, gas and plumbing codes.

Refer to Product Installation Guide for detailed installation instructions on the web at frigidaire.com / frigidaire.ca

Specifications subject to change. Accessories information available on the web at frigidaire.com / frigidaire.ca

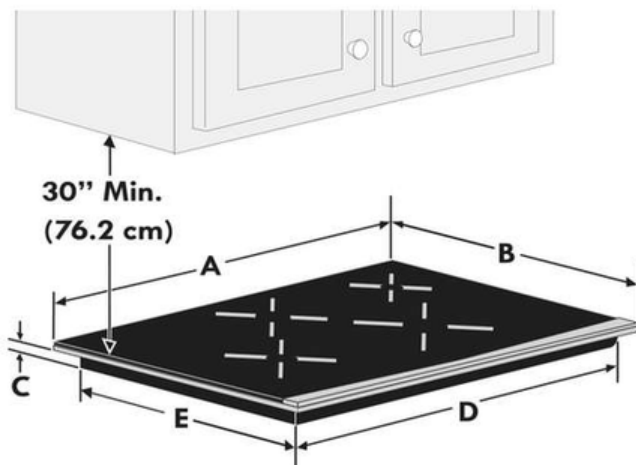
Frigidaire

36" Induction Cooktop

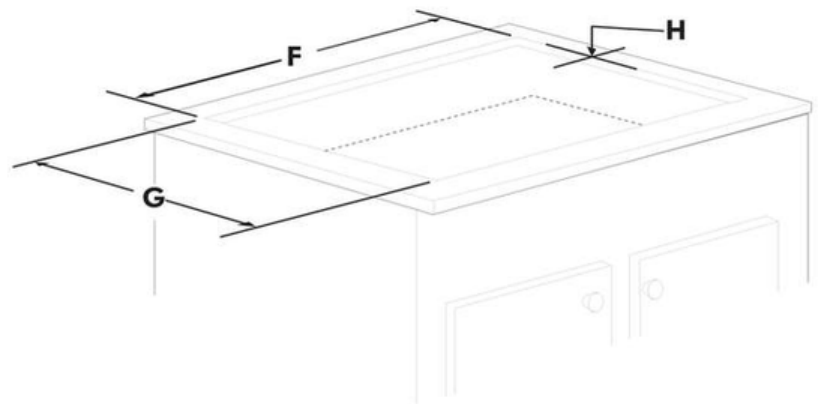
FCCI3627AB

Version : 01/22

Cooktop Dimensions



Cooktop Cutout Dimensions



| COOKTOP DIMENSIONS | | | | | CUTOUT DIMENSIONS | | | | |
|---------------------------------------|---------------------------------------|-------------------------------------|---------------------------------------|---------------------------------------|---------------------------------------|---------------------------------------|---------------------------------------|---------------------------------------|-------------------------------------|
| A. WIDTH | B. DEPTH | C. HEIGHT | D. WIDTH | E. DEPTH | F. WIDTH | | G. DEPTH | | H. HEIGHT |
| | | | | | Min. | Max. | Min. | Max. | |
| 36 ³ / ₄ (93.4) | 21 ³ / ₈ (54.4) | 2 ⁷ / ₈ (7.3) | 33 ⁵ / ₈ (85.4) | 18 ⁷ / ₈ (47.9) | 33 ⁷ / ₈ (86.0) | 36 ¹ / ₈ (91.8) | 19 ¹ / ₈ (48.6) | 20 ¹ / ₂ (52.1) | 3 ⁵ / ₈ (9.2) |

Note: For planning purposes only. Always consult local and national electric, gas and plumbing codes.

Refer to Product Installation Guide for detailed installation instructions on the web at frigidaire.com / frigidaire.ca

Specifications subject to change. Accessories information available on the web at frigidaire.com / frigidaire.ca

USA • 10200 David Taylor Drive • Charlotte, NC 28262 • 1-800-FRIGIDAIRE • frigidaire.com

CANADA • 5855 Terry Fox Way • Mississauga, ON L5V 3E4 • 1-800-265-8352 • frigidaire.ca