

FFEH2422U S/W

FREESTANDING RANGE

24" ELECTRIC



AVAILABLE COLORS



Stainless



White

PRODUCT DIMENSIONS

Height (Max.) 35"

Width 24"

Depth (Including Handle) 25-1/2"

CERTIFICATIONS

A.D.A.- Compliant

When properly installed, this model is A.D.A.-qualified based on the United States Access Board's A.D.A./A.B.A. Accessibility Guidelines and the Department of Justice's 2010 A.D.A. Standards for Accessible Design.



SIGNATURE FEATURES

Compact Design for Smaller Kitchen Spaces

This 24" electric range is compact in design, but not in capacity - oven can easily fit a 10 lb. turkey.

Cleanup is easier with Hidden Bake

Keeping the bottom of your oven clean is easier with a hidden heating element.

Storage Drawer

Convenient storage drawer offers extra space to store your cookware.

Color-Coordinated Knobs

Stylish knobs that match the finish of the range.

FFEH2422U S/W FREESTANDING RANGE

FRIGIDAIRE

24" ELECTRIC

FEATURES

Oven Control / Timing System	Ready-Select® Controls
Surface Type	Color-Coordinated Porcelain
Window	Extra Large
Exterior Door Finish	Black Glass
Handle Design	Color-Coordinated
Exterior Finish (Side Panels)	Color-Coordinated
Oven Cleaning System	Manual Clean
Drawer Functionality	Storage

OVEN CONTROLS

Bake	Yes
Broil	Yes
Effortless™ Convection Conversion	
Convection Bake/Broil/Roast	
Quick Preheat	
Add-a-Minute	
Delay Bake	
Self-Clean	
Quick Clean Option	
Delay Clean	
Kitchen Timer	Yes
Timed Cook Option	
Auto Oven Shut-Off	
Oven Lock-Out	

COOKTOP FEATURES

Right Front Element (Watts)	8" - 2,400
Right Rear Element (Watts)	6" - 1,500
Left Front Element (Watts)	6" - 1,500
Left Rear Element (Watts)	8" - 2,400
Hot Surface Indicator Light	Yes
Coil Cooktop / Drip Bowls	Yes / Black

OVEN FEATURES

Capacity (Cu. Ft.)	1.9
Oven Light	1 Round Halogen
Hidden Bake Element	Yes
Rack Configuration	2 Flat
Even Baking System	Even Baking Technology
Broiling System	Vari-Broil(tm) (Hi/Lo)
Bake Element / Broil Element (Watts)	1,000/1,650

SPECIFICATIONS

Oven Interior (H x W x D)	12-7/8" x 16-1/16" x 16-3/8"
Power Supply Connection Location	Left Bottom Rear
Voltage Rating	240V / 208V / 60Hz
Connected Load (kW Rating) @ 240 / 208 Volts	7.5 kW
Minimum Circuit Required (Amps)	40
Shipping Weight (Approx.)	176 Lbs.

PRODUCT DIMENSIONS

A - Height (Max.)	35"
B - Width	24"
C - Depth (Including Handle)	25-1/2"
Depth with Door Open 90°	41-1/2"



Note: For planning purposes only. Always consult local and national electric codes. Refer to Product Installation Guide for detailed installation instructions on the web at frigidaire.com / frigidaire.ca.
Specifications subject to change. Accessories information available on the web at frigidaire.com / frigidaire.ca

FRIGIDAIRE

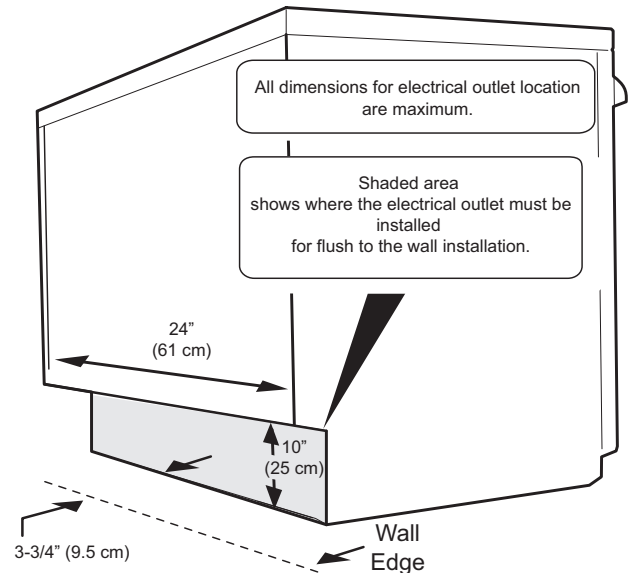
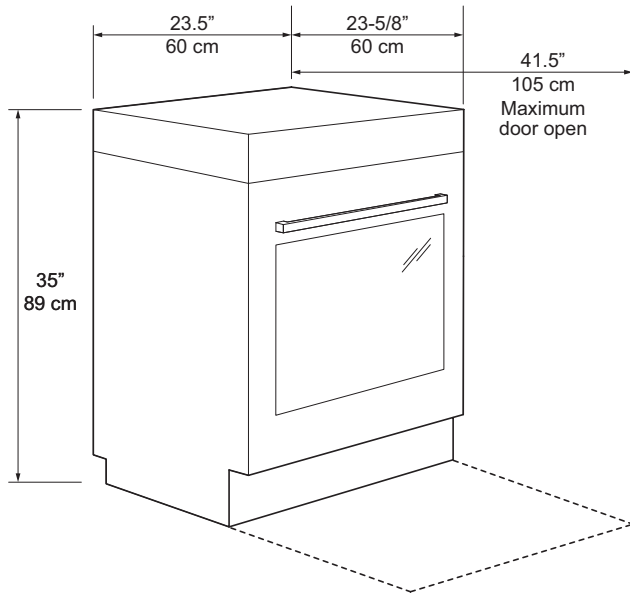
USA • 10200 David Taylor Drive • Charlotte, NC 28262 • 1-800-FRIGIDAIRE • frigidaire.com
CANADA • 5855 Terry Fox Way • Mississauga, ON L5V 3E4 • 1-800-265-8352 • frigidaire.ca

FFEH2422U 01/19
© 2019 Electrolux Home Products, Inc.

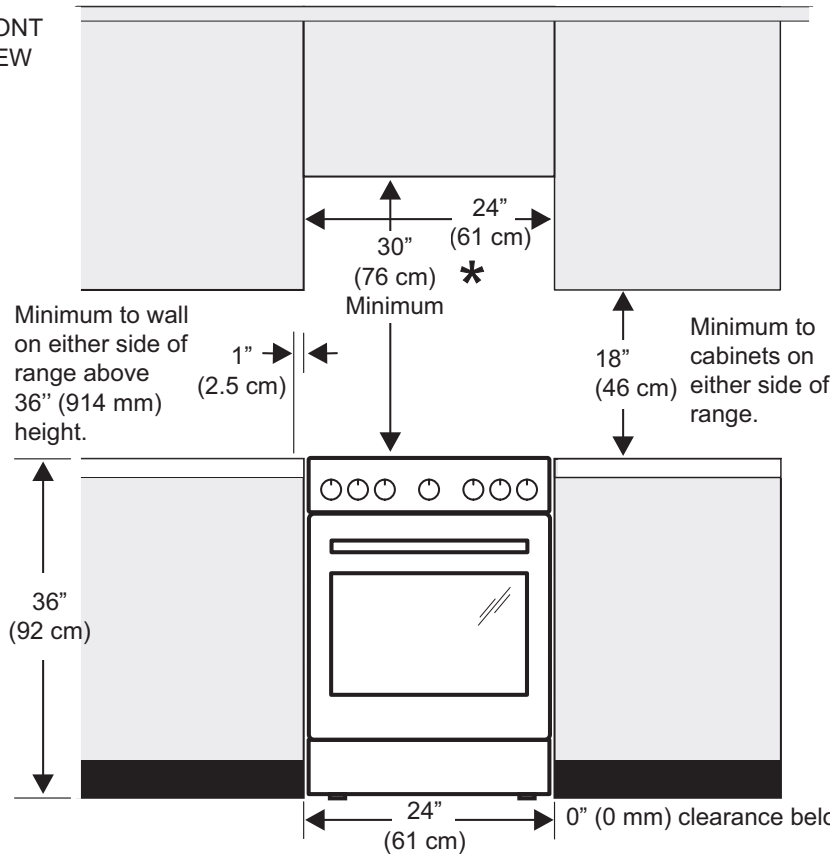
FFEH2422U S/W FREESTANDING RANGE

24" ELECTRIC

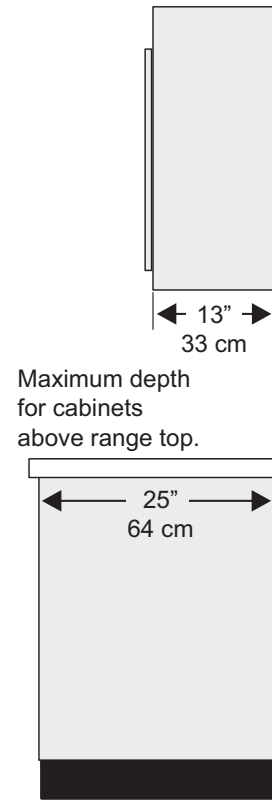
FRIGIDAIRE



FRONT VIEW



SIDE VIEW



Note: For planning purposes only. Always consult local and national electric, gas and plumbing codes. Refer to Product Installation Guide for detailed installation instructions on the web at frigidaire.com / frigidaire.ca. Specifications subject to change. Accessories information available on the web at frigidaire.com / frigidaire.ca

FRIGIDAIRE

USA • 10200 David Taylor Drive • Charlotte, NC 28262 • 1-800-FRIGIDAIRE • frigidaire.com
CANADA • 5855 Terry Fox Way • Mississauga, ON L5V 3E4 • 1-800-265-8352 • frigidaire.ca

FFEH2422U 01/19
©2019 Electrolux Home Products, Inc.