

FRIGIDAIRE GALLERY

FGBM15WCVF

Available Colors : Stainless Steel

Version : 10/19

Over-The-Range Microwave

1.5 Cu. Ft. Over-The-Range Microwave with Convection



Product Specifications

Accessories

| | |
|--------------------|------------------------------------------------|
| Included Accessory | Removable Metal Rack and Convection Round Rack |
|--------------------|------------------------------------------------|

Certifications & Approvals

| | |
|----------------------------|----|
| ADA Compliant - All Brands | No |
| ETL Listed | No |
| NSF® Certified | No |

Dimensions: Exterior

| | |
|--------|---------|
| Depth | 15-3/4" |
| Height | 16-3/8" |
| Width | 29-7/8" |

Dimensions: Cut-Out

| | |
|--------------|---------|
| Depth (Max) | 14" |
| Depth (Min) | 13" |
| Height (Max) | 17" |
| Height (Min) | 16-3/4" |
| Width | 30" |

General Specifications

| | |
|--------------------|-------|
| Interior Light | Yes |
| PROP 65 Label | Yes |
| Turntable Material | Glass |

Internal Specifications

| | |
|---------------------------|-----------------|
| Microwave Interior Color | Stainless Steel |
| Microwave Interior Depth | 13-15/16" |
| Microwave Interior Height | 9-3/16" |
| Microwave Interior Width | 20-1/4" |

Capacities

| | |
|--------------------------|-----|
| Total Capacity - Cu. Ft. | 1.5 |
|--------------------------|-----|

User Modes

| | |
|------------|----------------------------|
| Child Lock | Yes - with Stop/Cancel Key |
|------------|----------------------------|

Controls

| | |
|--------------------|----------------------|
| Add 30 Seconds | Yes |
| Display Color | White |
| Display Type | LED |
| Electronic Clock | Yes |
| Numeric Touch Pad | Yes |
| Power Levels | High / 1 - 9 |
| Start Button | Yes |
| Stop/Cancel Button | Yes |
| Timer Function | Yes 99:99 |
| Touch Pad Buttons | 28 |
| Turntable On/Off | Yes - Under Settings |

Electrical Specifications

| | |
|-----------------------|-------------|
| Amps @ 120 Volts | 13.5 |
| Connected Load @ 120V | 1.5 |
| Voltage Rating | 120V / 60Hz |
| Watts @ 120 Volts | 1450 |

Microwave Oven Controls

| | |
|---------------------|-----------------------------------------------------------------------|
| Baked Potato | No |
| Convection Option | Yes - Convection Bake / Convection Roast |
| Defrost Options | Yes - Weight & Time |
| Keep Warm | Yes - Keep Warm @170F and Hold (Enter Time) |
| Melt/Soften | Yes - Melt Butter Melt Chocolate Soften Ice Cream Soften Cream Cheese |
| Multi-Stage Cooking | No |
| Popcorn | Yes - Options for 1.75/3.0/3.3 oz. |
| Quick Start | No |
| Sensor Cook Options | Yes - Bacon Frozen Dinner White Rice Frozen Breakfast |
| Snack Options | No |

Ventilation/Light System

| | |
|--------------------|-------------------------------------------------------------------------------------------------------------------|
| Charcoal Filter | Yes - 1 |
| Cooktop Light | Yes - High / Night / Off |
| Duct/Ductless Vent | Yes |
| Exhaust Duct | Convertible (Ventilation is convertible to be either ducted outside or recirculated inside requiring no ducting.) |
| Exhaust Fan Speeds | Yes - High / Low / Off |
| Grease Filter | Yes - 2 |
| Vent Style | Hidden |

Auto Features

| | |
|----------|----|
| Beverage | No |
|----------|----|

Microwave Oven Specifications

| | |
|------------------------|---------|
| Interior Light | LED |
| Interior Light Wattage | 1.2 |
| Turntable Diameter | 13-5/8" |

Cooking Controls

| | |
|-----------|-------------|
| Interface | Glass Touch |
|-----------|-------------|

Vent & Light System

| | |
|-----------------|-----|
| Work-Area Light | LED |
|-----------------|-----|

FRIGIDAIRE GALLERY.

FGBM15WCVF

Available Colors : Stainless Steel

Version : 10/19

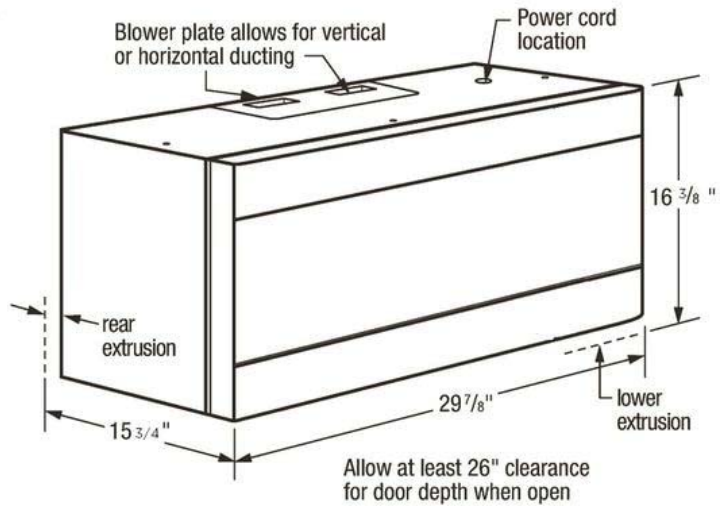
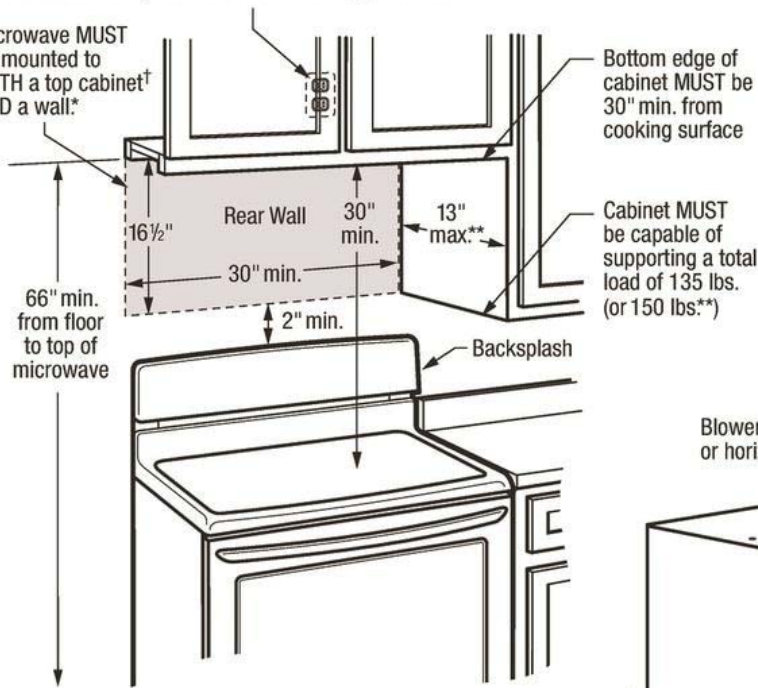
Over-The-Range Microwave

1.5 Cu. Ft. Over-The-Range Microwave with Convection

Installation Drawing

Locate 120V/60Hz grounded outlet inside upper cabinet

Microwave MUST be mounted to BOTH a top cabinet† AND a wall.*



†When installing beneath smooth, flat cabinets, refer to cabinet template for detailed power cord clearance instructions

*Can NOT be installed in island or peninsula cabinet arrangements

**If cabinet depth (including doors) is deeper than 13", unit MUST be spaced out from rear wall using adequate materials (supporting 150 lbs.) to allow proper top vent air exhaust/intake

Note: For planning purposes only. Always consult local and national electric, gas and plumbing codes. Refer to Product Installation Guide for detailed installation instructions on the web at frigidaire.com/frigidaire.ca. Specifications subject to change. Accessories information available on the web at frigidaire.com/frigidaire.ca