

G 5266 SCVi SFP 24" Fully Integrated Dishwasher

Features:

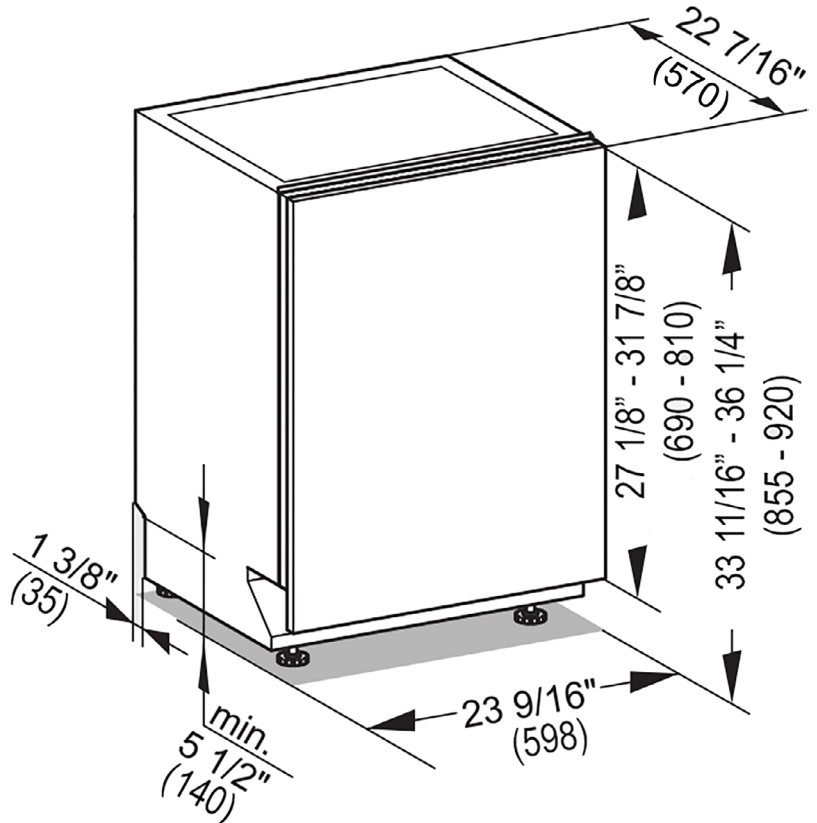
- DirectSelect Controls
- Pocket Handle
- QuickIntenseWash - 58 min. program
- Whisper quiet 42 dB
- MultiFlex 3D Cutlery Tray
- AutoOpen Drying - for perfect drying results
- Water Softener - for spotless drying in hard water areas
- ExtraClean & ExtraDry Options to customize wash programs
- EnergyStar

MATERIAL #	EAN #	UMRP	RETAIL
11695340	40025163976	\$1,499	\$1,599



SPECIFICATIONS	
Overall Unit Dimensions	23 ⁹ / ₁₆ " (598 mm) W x 33 ¹¹ / ₁₆ " - 36 ¹ / ₄ " (855 - 920 mm) H x 22 ⁷ / ₁₆ " (570 mm) D [Depth does not include door panel]
Niche	
Minimum Cabinet Niche Opening	23 ⁵ / ₈ " (600 mm) W x 33 ³ / ₄ " (857 mm) H x 22 ⁷ / ₁₆ " (570 mm) D
Plumbing	
Water Supply Requirements	<ul style="list-style-type: none"> • Cold or Hot (max 150°F/65°C) water connection • Male 3/8" compression fitting • Water pressure range 7.25 psi (0.5 bar) and 145 psi (10 bar)
Water Connection Line (Supplied)	Length: 5 ft (1.5 m) Female 3/8" compression.
Drain Hose (Supplied)	Length: 5 ft (1.5 m) 7/8" (22 mm) internal diameter
Electrical	
Electrical Requirements	110V / 120V, 60Hz, 15 Amps
Power Cord (Convertible to hardwire)	NEMA 5-15 plug, 5 ft (1.52 m)
Shipping	
Shipping Weight	121 lbs (55 kg)
Shipping Dimensions	27 ¹ / ₈ " W x 38 ¹ / ₈ " H x 26 ³ / ₈ " D

PRODUCT DIMENSIONS



CUTOUT DIMENSIONS

