

G 7591 SCVi

24" Fully Integrated Dishwasher, K2o (ADA)

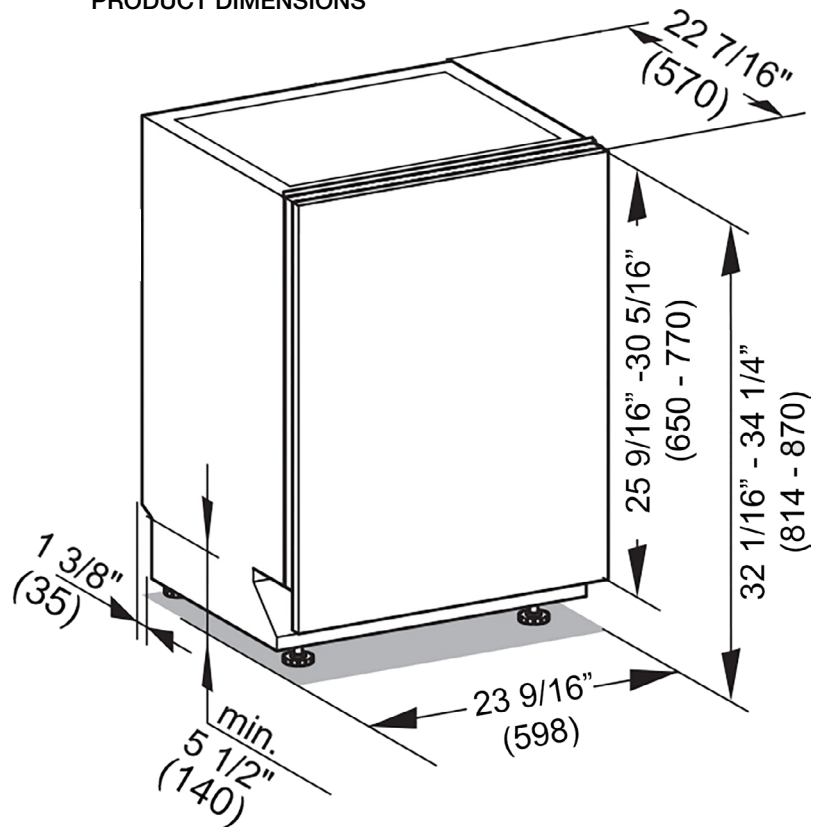
Features:

- AutoDos
- 3D MultiFlex Cutlery Tray
- QuickIntenseWash
- WifiConn@ct
- DirectSensor Controls
- Panel-Ready
- Knock2Open
- Water Softener
- ADA Compliant

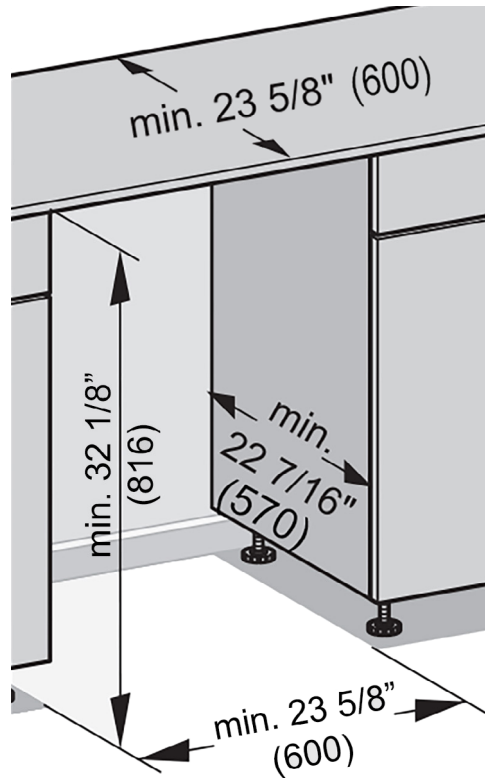


SPECIFICATIONS	
Overall Unit Dimensions	23 ⁹ / ₁₆ " (598 mm) W x 32 ¹ / ₁₆ " - 34 ¹ / ₄ " (814 - 870 mm) H x 22 ⁷ / ₁₆ " (570 mm) D [Depth does not include door panel]
Niche	
Minimum Cabinet Niche Opening	23 ⁵ / ₈ " (600 mm) W x 32 ¹ / ₈ " (814 mm) H x 22 ⁷ / ₁₆ " (570 mm) D
Plumbing	
Water Supply Requirements	<ul style="list-style-type: none"> • Cold or Hot (max 150°F/65°C) water connection • Male 3/8" compression fitting • Water pressure range 7.25 psi (0.5 bar) and 145 psi (10 bar)
Water Connection Line (Supplied)	Length: 5 ft (1.5 m) Female 3/8" compression.
Drain Hose (Supplied)	Length: 5 ft (1.5 m) 7/8" (22 mm) internal diameter
Electrical	
Electrical Requirements	110V / 120V, 60Hz, 15 Amps
Power Cord (Convertible to hardwire)	NEMA 5-15 plug, 5 ft (1.52 m)
Shipping	
Shipping Weight	121 lbs (55 kg)
Shipping Dimensions	27 ¹ / ₈ " W x 38 ¹ / ₈ " H x 26 ³ / ₈ " D

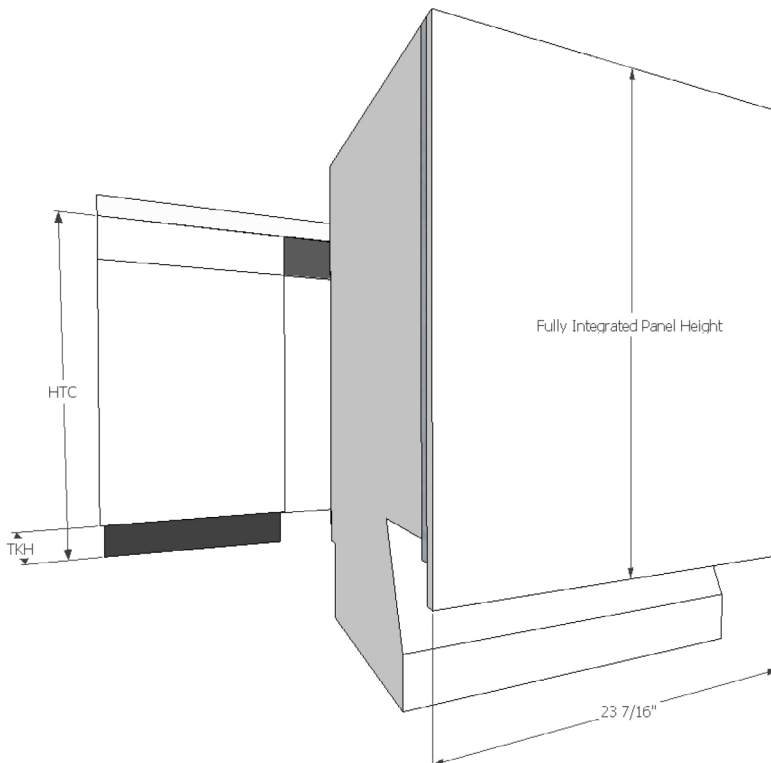
PRODUCT DIMENSIONS



CUTOUT DIMENSIONS



CUSTOM PANEL



- Width:** 23 7/16" (598 mm) in all cases
- Thickness:** 3/4" (19 mm) in all cases
- Height:** Determined using the following calculation:
Panel Height = HTC – TKH

HTC = Height to the underside of countertop

TKH = Toe kick height

Note: Control panel is along the top edge of the unit. It is not visible when the unit is closed. A handle **MUST** be located on the front panel in order to open the unit.

Maximum panel height: 30 3/8" (772 mm)

Minimum panel height: 25 5/8" (650 mm)

Maximum panel weight: 26 lbs (12 kg)