

GDP630PGR/PYR/PMR

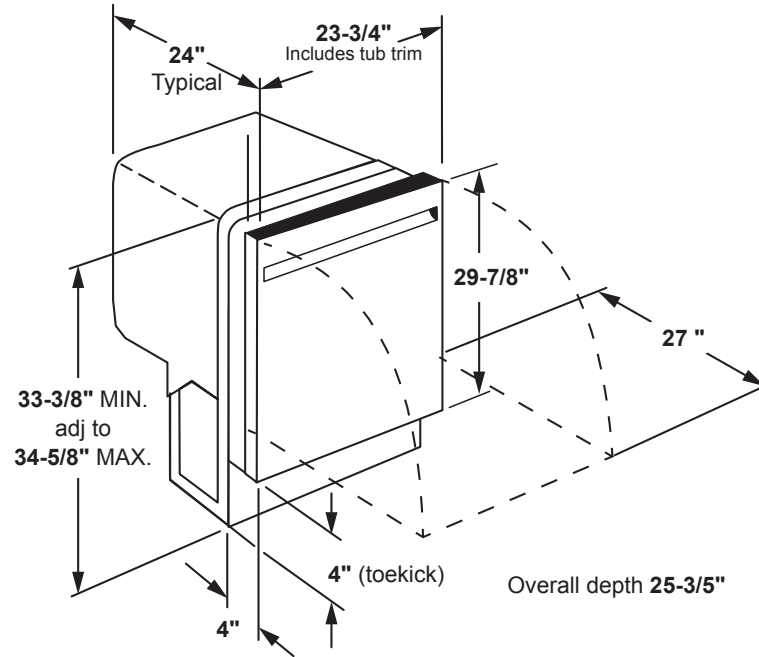
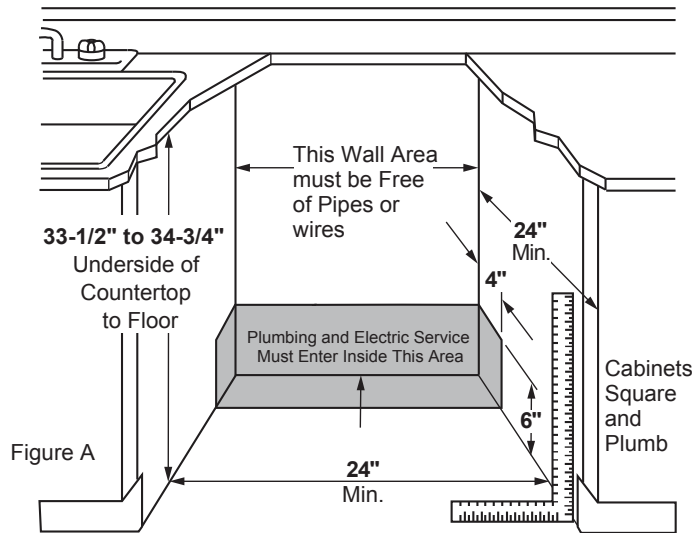
GE® Plastic Interior Dishwasher with Top Controls

DIMENSIONS AND INSTALLATION INFORMATION (IN INCHES)

ELECTRICAL RATING

Voltage AC.....	120
Hertz.....	60
Total connected load amperage.....	7.1
Calrod® heater watts.....	800/500

For use on adequately wired 120-volt, 15-amp circuit having 2-wire service with a separate ground wire. This appliance must be grounded for safe operation.



For answers to your Monogram, GE Cafe™, GE Profile™ or GE Appliances product questions, visit our website at geappliances.com or call GE Answer Center® Service, 800.626.2000.



As an ENERGY STAR® partner, GE has determined that this product meets the ENERGY STAR guidelines for energy efficiency.

Specification Revised 6/21

GDP630PGR/PYR/PMR

GE® Plastic Interior Dishwasher with Top Controls

FEATURES AND BENEFITS

Third Rack – This dishwasher with third rack storage lets you easily clean more items in fewer loads. It gives you extra loading flexibility with a place to wash and dry silverware, spatulas, lids and more

Bottle Jets – This dishwasher with bottle jets ensures a deep clean for tall items, narrow glasses, jars and more. In the upper rack, each of the four bottle wash jets direct water and detergent inside to effectively wash hard-to-reach areas

Dry Boost™ – Dry Boost outperforms standard heated dry dishwashers by getting hard-to-dry items like plastics up to 3 times drier when compared to heated dry

Active Flood Protect – This dishwasher features Active Flood Protect, to prevent potential overflows for greater peace of mind. A water sensor alarm cancels the wash cycle before a flood may occur and alerts you with blinking lights and an alert tone.

Smooth Touch Controls – Touch controls are easy to wipe clean and offer simple, dependable cycle selection

Wash Zone – Wash a true half load in the upper or lower rack whenever you need to, instead of waiting on a full load. Just choose your wash zone: upper or lower. The feature works in combination with most cycles, saving you time and conserving energy

Steam + Sani – Save time with a steam and sanitize option that loosens tough soils before the wash cycle begins, so you get a complete wash with no pre-rinsing or soaking necessary. Plus, a sanitization cycle reduces 99.999% of bacteria on dishes.

Autosense Wash Cycle – This energy efficient dishwasher has an AutoSense Cycle that detects the soil level and amount of dishes, then automatically adjusts wash settings for the ultimate clean

Powerful Wash Performance – Get a complete wash with no pre-rinse, thanks to a variety of powerful clean wash cycles. No matter how many dishes you load or how dirty they are, rest assured you'll get spotless results every time.

50 dBA

Model GDP630PMRES – Slate

Model GDP630PYRFS – Fingerprint Resistant Stainless Steel

Model GDP630PGRBB – Black

Model GDP630PGRWW – White

Available in Bar Handle Model

