

## H 7280 BP - Graphite Grey 30" Convection Oven - VitroLine

### Features:

- DirectSensor S - Intuitive touch controls
- Miele@Home - Control the appliances with your app
- Self Cleaning Oven
- Automatic programs - easily master new recipes

### Included:

- 1 Universal baking tray
- 1 Self Clean Ready Baking and Roasting Rack
- 1 Self Clean Ready Rack with rail system

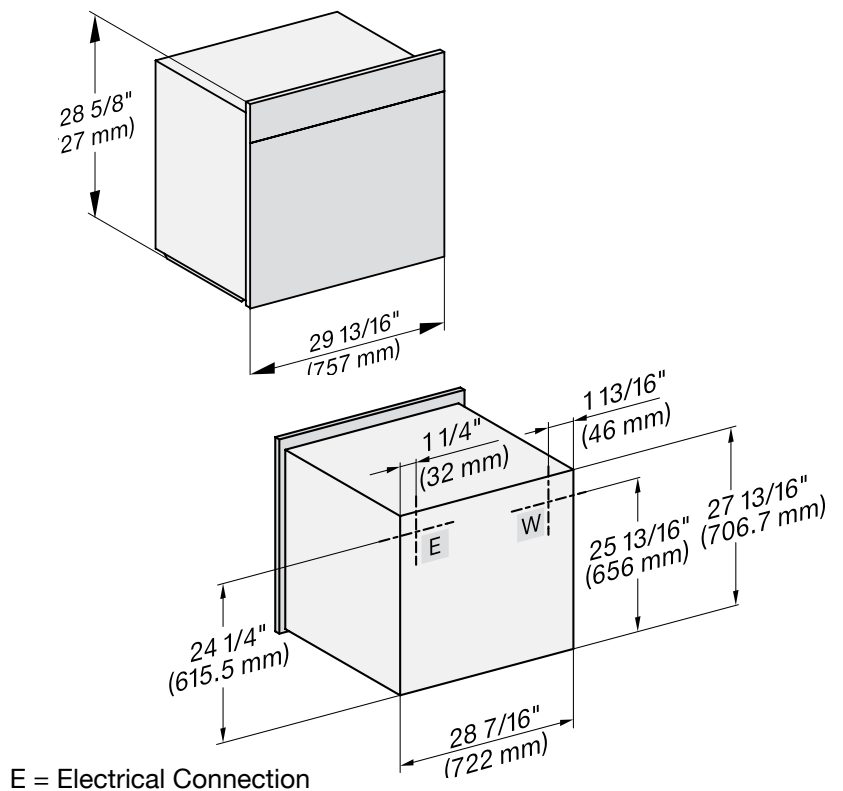


### MATERIAL #

11805520

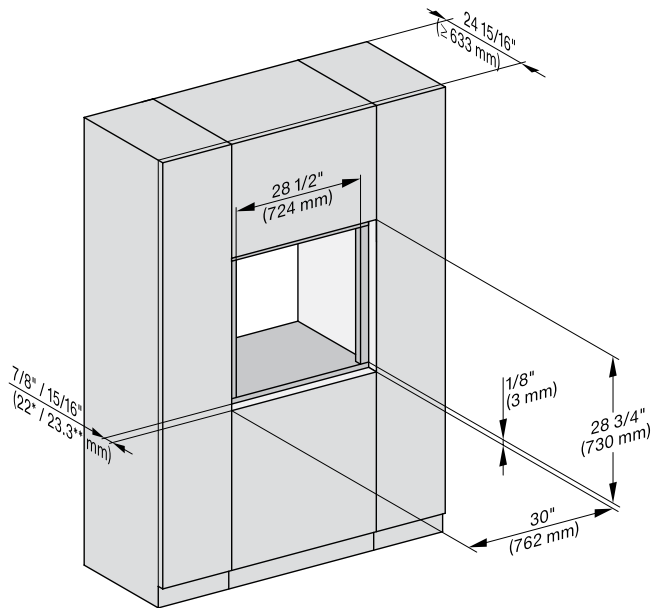
SPECIFICATIONS	
Overall Unit Dimensions	29 <sup>13</sup> / <sub>16</sub> " (757 mm) W x 28 <sup>5</sup> / <sub>8</sub> " (727 mm) H x 23 <sup>3</sup> / <sub>4</sub> " (603 mm) D
Niche	
Minimum Cabinet Niche Opening	28 <sup>1</sup> / <sub>2</sub> " (724 mm) W x 28 <sup>1</sup> / <sub>4</sub> " (718 mm) H x 24" (610 mm) D
Electrical	
Electrical Requirements	120/208-240V, 60Hz, 30 Amps
Power Cord	NEMA 14-30 plug, 5 ft (1.52 m)
Shipping	
Shipping Weight	215 lbs (98 kg)
Shipping Dimensions	30 <sup>7</sup> / <sub>16</sub> " (776 mm) W x 35 <sup>3</sup> / <sub>4</sub> " (907 mm) H x 32 <sup>15</sup> / <sub>16</sub> " (836 mm) D

### PRODUCT DIMENSIONS

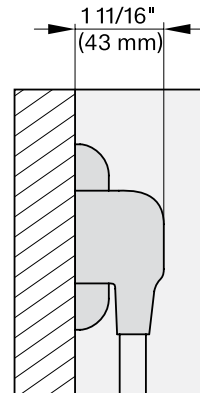
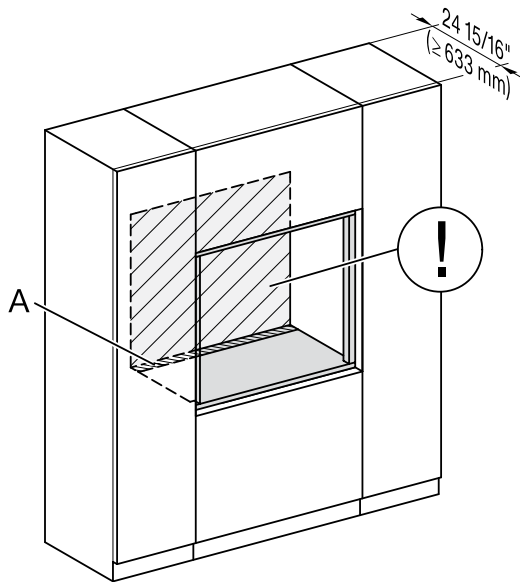
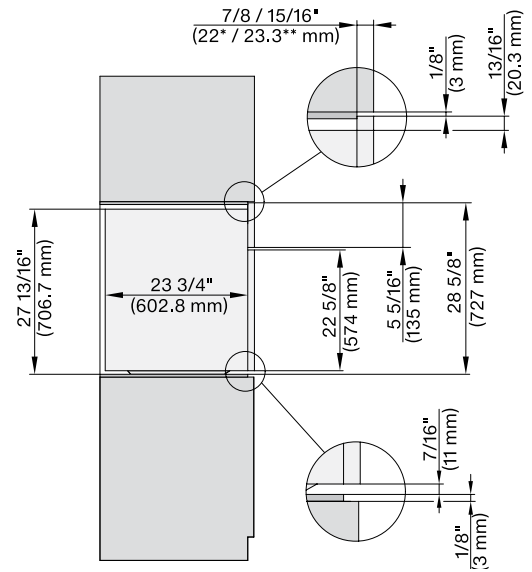


## FLUSH CUTOUT DIMENSIONS

Front View



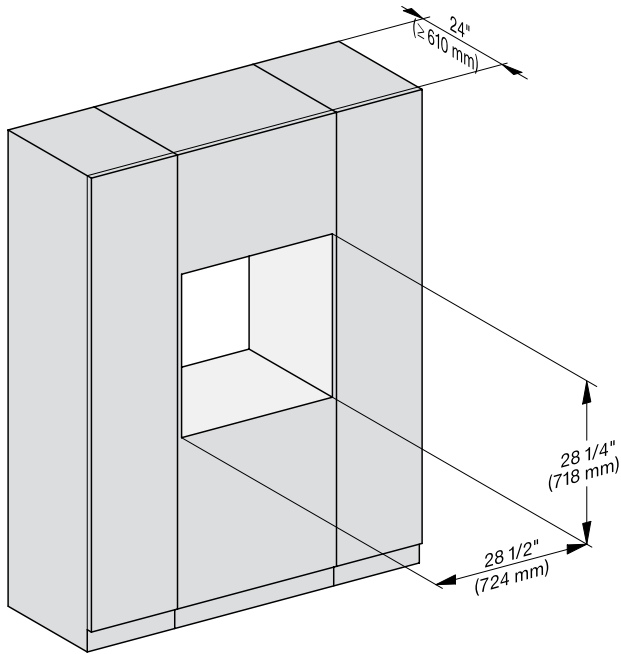
Side View



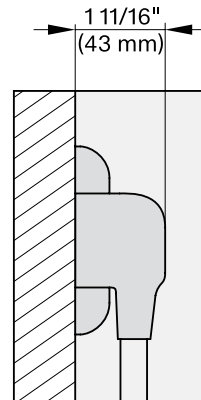
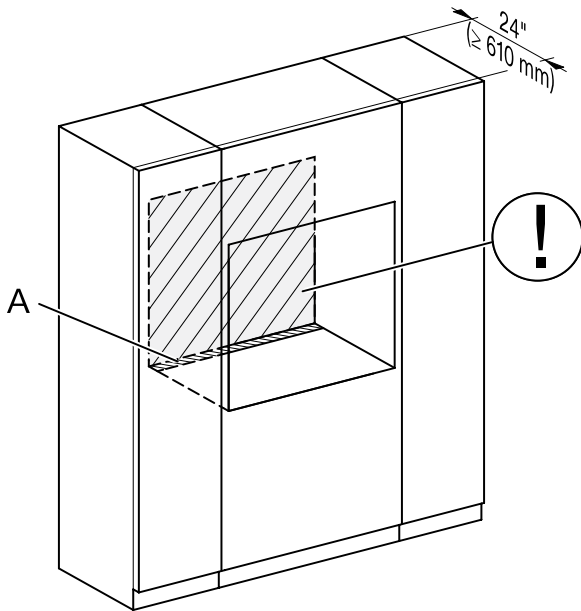
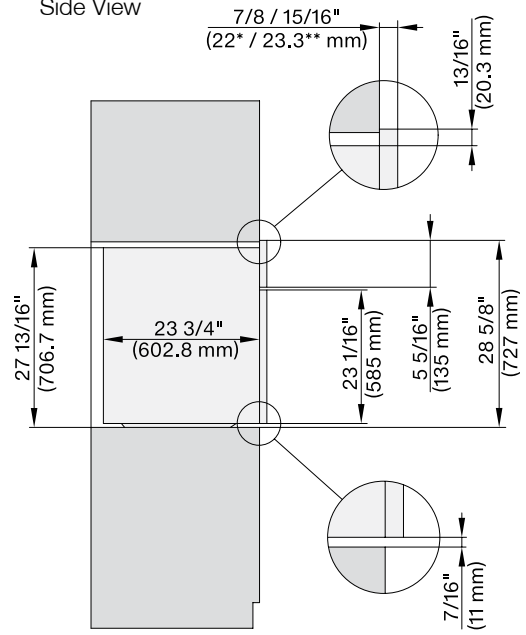
- A - Cut-out (4" x 28" [100 mm x 720 mm]) in the bottom of the cabinet for the power cord and Ventilation
- ⚠ - Electrical and water supplies are recommended to be placed in adjacent cabinetry.  
Additional cabinet depth is required when placing the electrical and water supplies behind the appliance.

## PROUD CUTOUT DIMENSIONS

Front View



Side View



A - Cut-out (4" x 28" [100 mm x 720 mm]) in the bottom of the cabinet for the power cord and Ventilation

ⓘ - Electrical and water supplies are recommended to be placed in adjacent cabinetry.

Additional cabinet depth is required when placing the electrical and water supplies behind the appliance.