

## H 7780 BP2

### 30" Convection Double Oven - ContourLine

#### Features:

- M-Touch Display with Motion React - Simple to use touch controls
- Miele@Home - Control the appliances with your app
- Roast Probe - For Precision cooking
- Moisture Plus - a burst of steam for professional quality cooking results at home
- Direct Water - No need to fill any water tanks
- Taste Control - Prevents overcooked dishes

#### Included:

- 1 Perforated baking tray
- 2 Universal baking tray
- 4 Self Clean Ready Baking and Roasting Racks
- 2 Self Clean Ready Rack with rail system

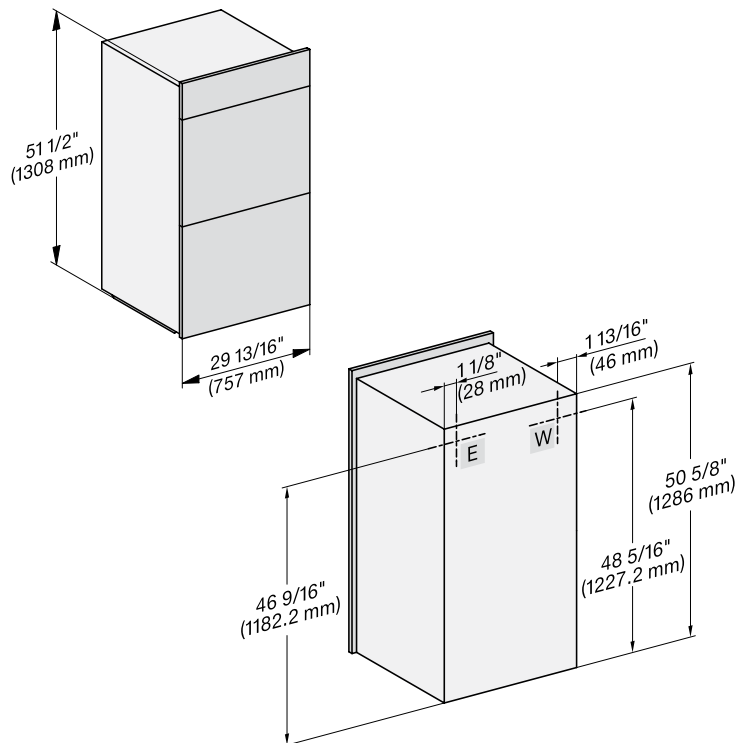


#### MATERIAL #

11805570

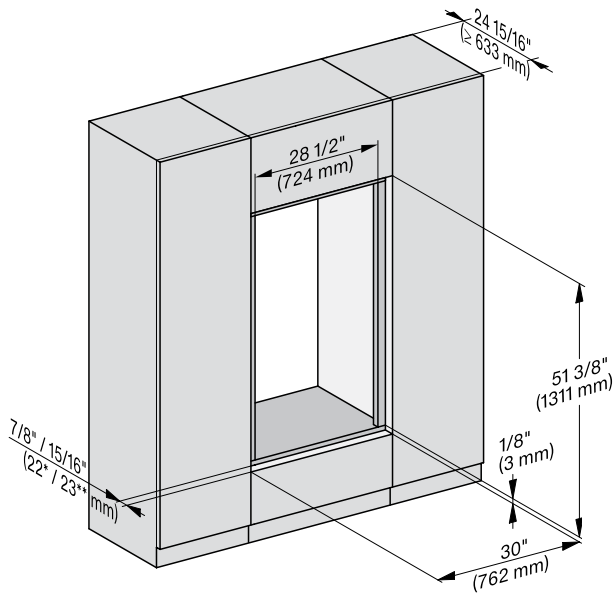
SPECIFICATIONS	
Overall Unit Dimensions	29 <sup>13</sup> / <sub>16</sub> " (757 mm) W x 51 <sup>1</sup> / <sub>2</sub> " (1308 mm) H x 23 <sup>3</sup> / <sub>4</sub> " (603 mm) D
Niche	
Minimum Cabinet Niche Opening	28 <sup>1</sup> / <sub>2</sub> " (724 mm) W x 51 <sup>1</sup> / <sub>8</sub> " (1299 mm) H x 24" (610 mm) D
Plumbing	
Water Supply Requirements	<ul style="list-style-type: none"> <li>• Cold water connection</li> <li>• Male 3/8" compression fitting</li> <li>• Water pressure range 14.5 psi (1 bar) and 145 psi (10 bar)</li> </ul>
Water Connection Line (Supplied)	Length: 5 ft (1.5 m) Female 3/8" compression.
Electrical	
Electrical Requirements	120/208-240V, 60Hz, 50 Amps
Power Cord	NEMA 14-50 plug, 5 ft (1.52 m)
Shipping	
Shipping Weight	379 lbs (172 kg)
Shipping Dimensions	30 <sup>7</sup> / <sub>16</sub> " (776 mm) W x 58 <sup>5</sup> / <sub>8</sub> " (1490 mm) H x 32 <sup>15</sup> / <sub>16</sub> " (836 mm) D

#### PRODUCT DIMENSIONS

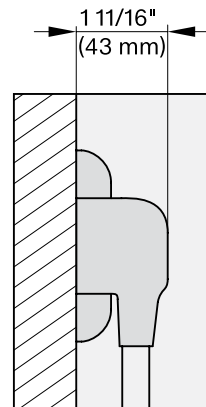
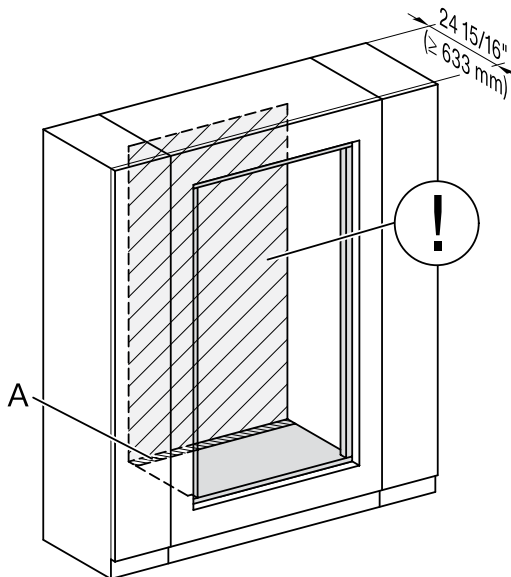
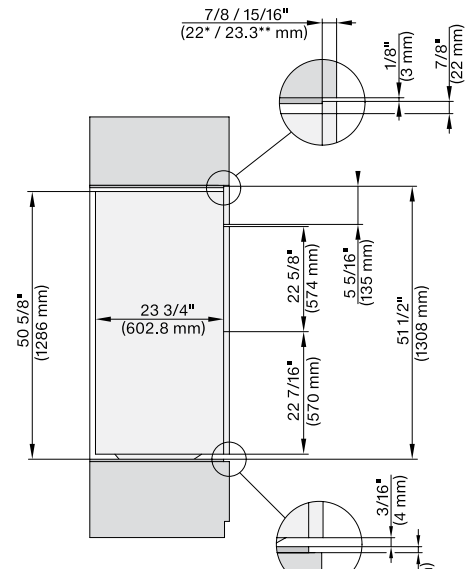


## FLUSH CUTOUT DIMENSIONS

Front View



Side View



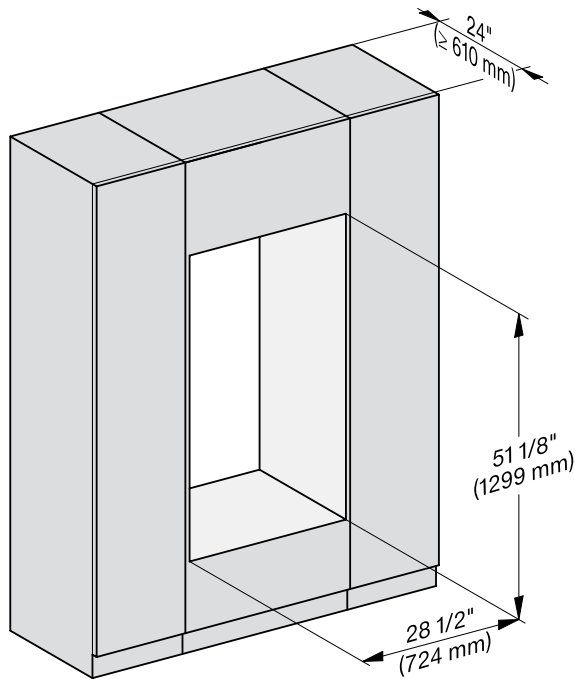
A - Cut-out (4" x 28" [100 mm x 720 mm]) in the bottom of the cabinet for the power cord and Ventilation

ⓘ - Electrical and water supplies are recommended to be placed in adjacent cabinetry.

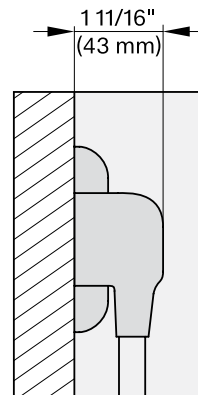
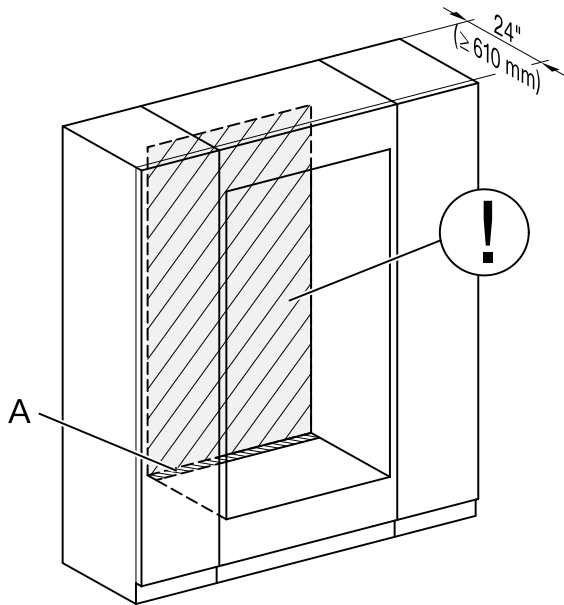
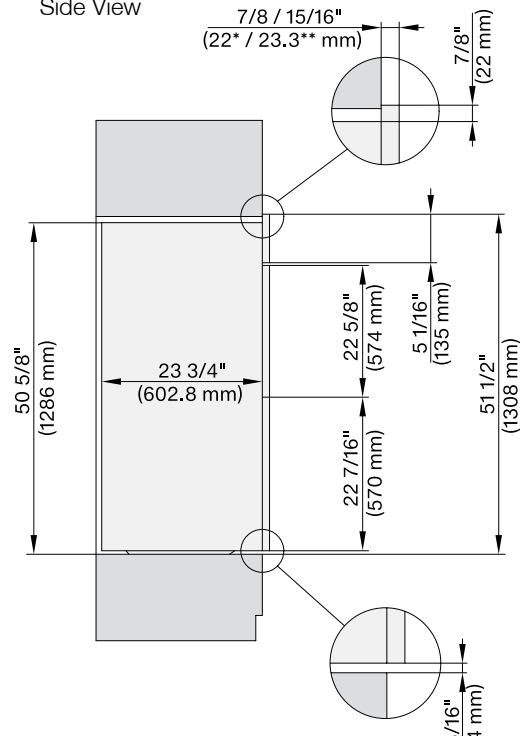
Additional cabinet depth is required when placing the electrical and water supplies behind the appliance.

## PROUD CUTOUT DIMENSIONS

Front View



Side View



A - Cut-out (4" x 28" [100 mm x 720 mm]) in the bottom of the cabinet for the power cord and Ventilation

ⓘ - Electrical and water supplies are recommended to be placed in adjacent cabinetry.

Additional cabinet depth is required when placing the electrical and water supplies behind the appliance.