

30" Electric Slide-in Range

Benchmark® Series – Stainless Steel HEIP056U



BOSCH
Invented for life



HEIP056U
Stainless Steel

The newly designed full-depth electric slide-in range fits into any freestanding range cutout, and offers a versatile tri-ring element

Features & Benefits

Genuine European Convection for even cooking results on multiple racks.

Cook with a 6", 9" or 12" element.

Dampened hinges softly and quietly guide the QuietClose® door shut.

At 4.6 cu. ft., a large oven capacity accommodates most pots and pans.

A full-extension telescopic rack offers safe access to the oven cavity.

General Properties

| | |
|---------------|--|
| Cooking modes | Bake, Variable Broil (hi & low), Roast, Warm, Proof Dough, Convection Bake, Convection Broil, Convection Roast, Multi-Rack Genuine European Convection, Convection Conversion, Pizza, Temperature Probe, Fast Preheat, Sabbath |
|---------------|--|

| | |
|----------------|----------------|
| Cleaning type | Self clean |
| Knob material | Metal |
| Interior light | 2 |
| Kitchen timer | Yes |
| Drawer type | Warming drawer |

Oven Performance

| | |
|--------------------------------|-----------------|
| Bake / broil element watts (W) | 2,400 / 3,800 W |
| Convection element watts (W) | 2,000 W |

Element Performance

| | |
|--|-------------------------|
| Total cooktop elements | 5 |
| Power of front left element watts (W) | 1,050 / 1,950 / 3,000 W |
| Power of back left element watts (W) | 1,200 W |
| Power of center element watts (W) | 100 W |
| Power of back right element watts (W) | 1,200 W |
| Power of front right element watts (W) | 1,100 / 3,200 W |

Element Size

| | |
|--|---------------|
| Dimension of front left heating element | 6" / 9" / 12" |
| Dimension of back left heating element | 6" |
| Dimension of center heating element | 6" |
| Dimension of back right heating element | 6" |
| Dimension of front right heating element | 9.5" |

Technical Details

| | |
|---------------------|-------------------|
| Watts (W) | 11,300 / 14,800 W |
| Circuit breaker (A) | 40 A |
| Volts (V) | 208 V / 240 V |
| Frequency (Hz) | 60 Hz |
| Plug type | N/A |
| Energy source | Electric |

Dimensions & Weight

| | |
|---|---------------------------------|
| Overall appliance dimensions (HxWxD)(in.) | 36 1/2"-38" x 31 1/2" x 28 7/8" |
| Required cutout size (HxWxD)(in.) | 35 1/2"-37" x 30" x 25" |
| Adjustable range height (in.) | 1 1/2" |
| Oven cavity size (cu. ft.) | 4.6 |
| Overall oven interior dimensions (HxWxD)(in.) | 17 13/16" x 24 1/8" x 18" |
| Usable oven interior dimensions (HxWxD)(in.) | 12 5/16" x 23 1/4" x 15 1/4" |
| Net weight (lbs) | 229 lbs |

Accessories—Included

Use and care manual, installation guide, temperature probe, 2 standard racks, 1 telescopic rack

Accessories—Optional



HEZTR301
30" Telescopic rack



HEZBS301
4" Low backguard (stainless steel)



HEZ390210
8" AutoChef® pan for 6" element



HEZ390220
9" AutoChef® pan for 7" element



HEZ390230
10" AutoChef® pan for 8" and 9" elements



Accessories: To purchase Bosch accessories, cleaners & parts please visit www.bosch-home.com/us/store or call 1-800-944-2904 (Mon to Fri 5 am to 6 pm PST, Sat 6 am to 3 pm PST).

Notes: All height, width and depth dimensions are shown in inches. BSH reserves the absolute and unrestricted right to change product materials and specifications, at any time, without notice. Consult the product's installation instructions for final dimensional data and other details prior to making cutout.

Warranties: Please see Use & Care manual or Bosch website for statement of limited warranty.

For more information on our entire line of products, go to www.bosch-home.com/us or call 1-800-944-2904

© BSH Home Appliances Corporation. All rights reserved. Bosch is a registered trademark of Robert Bosch GmbH.

30" Electric Slide-in Range

Benchmark® Series – Stainless Steel HEIP056U

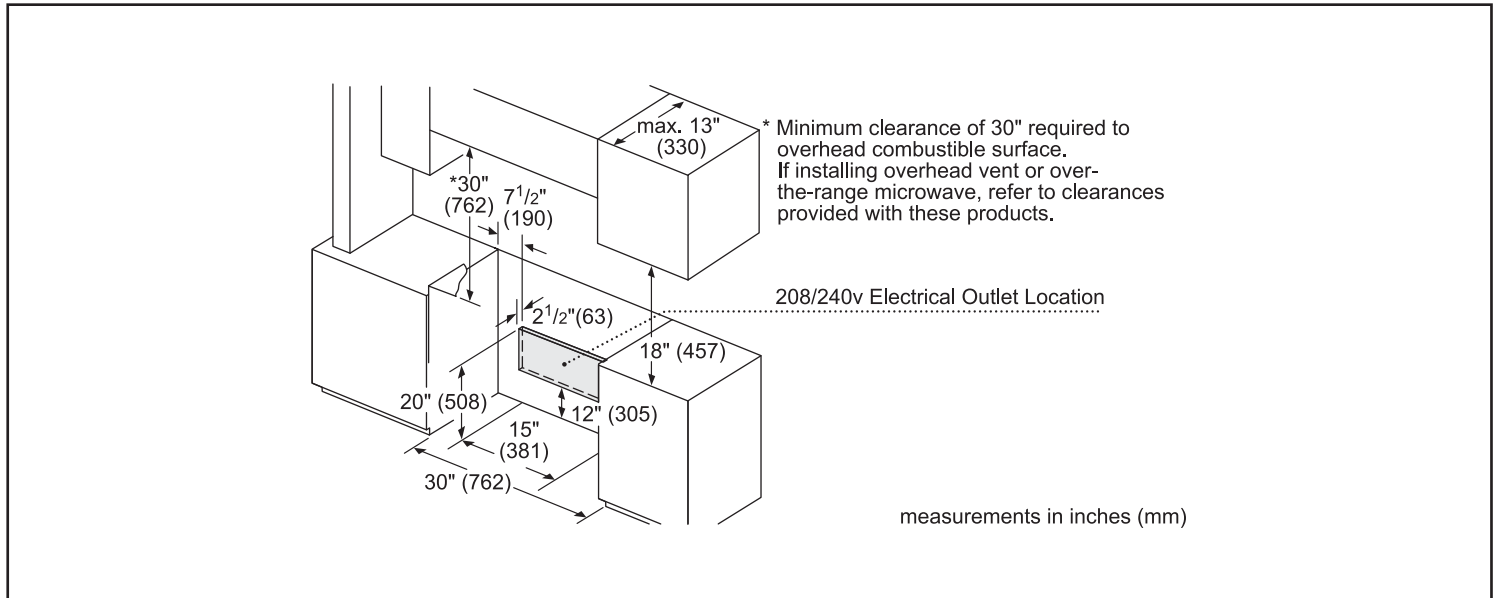
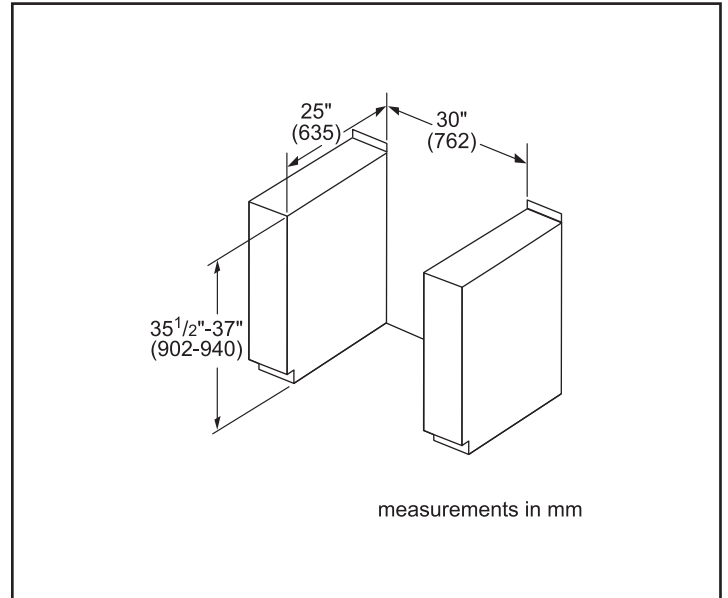
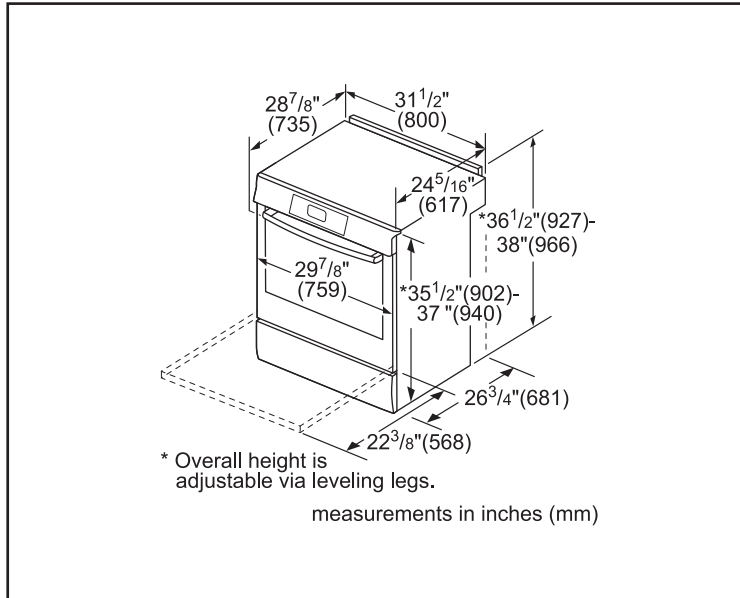


BOSCH

Invented for life



Installation Details



Accessories: To purchase Bosch accessories, cleaners & parts please visit www.bosch-home.com/us/store or call 1-800-944-2904 (Mon to Fri 5 am to 6 pm PST, Sat 6 am to 3 pm PST).

Notes: All height, width and depth dimensions are shown in inches. BSH reserves the absolute and unrestricted right to change product materials and specifications, at any time, without notice. Consult the product's installation instructions for final dimensional data and other details prior to making cutout.

Warranties: Please see Use & Care manual or Bosch website for statement of limited warranty.

For more information on our entire line of products, go to www.bosch-home.com/us or call 1-800-944-2904

© BSH Home Appliances Corporation. All rights reserved. Bosch is a registered trademark of Robert Bosch GmbH.