

# BUILT-IN ELECTRIC OVEN AND MICROWAVE OVEN COMBINATION OWNER'S MANUAL ENSEMBLE FOUR ÉLECTRIQUE/FOUR À MICRO- ONDES ENCASTRÉ MANUEL DU PROPRIÉTAIRE

## Table of Contents/Table des matières

<b>BUILT-IN MICROWAVE/OVEN COMBO SAFETY</b> .....	2	<b>SÉCURITÉ DE L'ENSEMBLE FOUR ÉLECTRIQUE/FOUR À</b>	
Built-In Microwave/Oven Combination Safety .....	2	<b>MICRO-ONDES ENCASTRÉ</b> .....	15
<b>MICROWAVE OVEN MAINTENANCE AND CARE</b> .....	5	Sécurité de l'ensemble four électrique/four à micro-ondes	
General Cleaning .....	5	encastré .....	15
Self-Cleaning Cycle .....	6	<b>ENTRETIEN ET RÉPARATION DU FOUR À MICRO-</b>	
Steam Clean (On Some Models) .....	7	<b>ONDES</b> .....	19
<b>INSTALLATION INSTRUCTIONS</b> .....	7	Nettoyage général .....	19
<b>REQUIREMENTS</b> .....	7	Programme d'autonettoyage .....	20
Tools and Parts .....	7	Steam Clean (nettoyage à la vapeur) (sur certains	
Location Requirements .....	7	modèles) .....	21
Electrical Requirements .....	9	<b>INSTRUCTIONS D'INSTALLATION</b> .....	22
<b>INSTALLATIONS</b> .....	10	<b>SPÉCIFICATIONS</b> .....	22
Prepare Built-In Oven .....	10	Outils et pièces .....	22
Remove Oven Door(s) .....	10	Exigences d'emplacement .....	22
Replace Oven Door(s) .....	10	Spécifications électriques .....	23
Make Electrical Connection .....	11	<b>INSTALLATION</b> .....	24
Install Oven .....	12	Préparer le four encastré .....	24
Complete Installation .....	14	Enlever la/les porte(s) du four .....	24
		Réinstallation de la/des porte(s) du four .....	25
		Raccordement électrique .....	26
		Installation du four .....	28
		Achever l'installation .....	29

### IMPORTANT:

Save for local electrical inspector's use.

### IMPORTANT:

Conserver ces instructions à l'usage de l'inspecteur des installations électriques local.



# BUILT-IN MICROWAVE/OVEN COMBINATION SAFETY

## Your safety and the safety of others are very important.

We have provided many important safety messages in this manual and on your appliance. Always read and obey all safety messages.



This is the safety alert symbol.

This symbol alerts you to potential hazards that can kill or hurt you and others.

All safety messages will follow the safety alert symbol and either the word “DANGER” or “WARNING.” These words mean:

**▲ DANGER**

**You can be killed or seriously injured if you don't immediately follow instructions.**

**▲ WARNING**

**You can be killed or seriously injured if you don't follow instructions.**

All safety messages will tell you what the potential hazard is, tell you how to reduce the chance of injury, and tell you what can happen if the instructions are not followed.

## IMPORTANT SAFETY INSTRUCTIONS

**WARNING:** To reduce the risk of fire, electric shock, or injury to persons when using the appliance, follow basic precautions, including the following:

- Proper Installation - The appliance, when installed, must be electrically grounded in accordance with local codes, or in the absence of local codes, with the *National Electrical Code, ANSI/NFPA 70* or the *Canadian Electrical Code, CSA C22.1-02*. In Canada, the appliance must be electrically grounded in accordance with Canadian Electrical Code. Be sure your appliance is properly installed and grounded by a qualified technician.
- Never Use Your Appliance for Warming or Heating the Room.
- Do Not Leave Children Alone - Children should not be left alone or unattended in area where appliance is in use. They should never be allowed to sit or stand on any part of the appliance.
- Wear Proper Apparel – Loose-fitting or hanging garments should never be worn while using the appliance.
- User Servicing – Do not repair or replace any part of the appliance unless specifically recommended in the manual. All other servicing should be referred to a qualified technician.
- Storage in or on Appliance – Flammable materials should not be stored in an oven or near surface units.
- This appliance is not intended for storage.
- Do Not Use Water on Grease Fires – Smother fire or flame or use dry chemical or foam-type extinguisher.
- Do not use replacement parts that have not been recommended by the manufacturer (e.g. parts made at home using a 3D printer).
- Use Only Dry Potholders – Moist or damp potholders on hot surfaces may result in burns from steam. Do not let potholder touch hot heating elements. Do not use a towel or other bulky cloth.
- Use Care When Opening Door – Let hot air or steam escape before removing or replacing food.
- DO NOT TOUCH HEATING ELEMENTS OR INTERIOR SURFACES OF OVEN – Heating elements may be hot even though they are dark in color. Interior surfaces of an oven become hot enough to cause burns. During and after use, do not touch, or let clothing or other flammable materials contact heating elements or interior surfaces of oven until they have had sufficient time to cool. Other surfaces of the appliance may become hot enough to cause burns – among these surfaces are the coil and cooktop elements, oven vent openings and surfaces near these openings, oven doors, and windows of oven doors.
- Do Not Heat Unopened Food Containers – Build-up of pressure may cause container to burst and result in injury.
- Keep Oven Vent Ducts Unobstructed.
- Placement of Oven Racks – Always place oven racks in desired location while oven is cool. If rack must be moved while oven is hot, do not let potholder contact hot heating element in oven.

### For self-cleaning ovens:

- Do Not Clean Door Gasket – The door gasket is essential for a good seal. Care should be taken not to rub, damage, or move the gasket.
- Do not use a protective coating to line the oven and do not use commercial oven cleaner unless Certified for use in a self-cleaning oven.
- Clean Only Parts Listed.
- Before Self-Cleaning the Oven – Remove broiler pan and other utensils, and wipe off all excessive spillage.

### For smart enabled ranges and ovens:

- Remote Operation – This appliance is configurable to allow remote operation at any time. Do not store any flammable materials or temperature sensitive items inside, on top or near surface units of the appliance.

**SAVE THESE INSTRUCTIONS**

## IMPORTANT SAFETY INSTRUCTIONS

When using electrical appliances basic safety precautions should be followed, including the following:

**WARNING:** To reduce the risk of burns, electric shock, fire, injury to persons, or exposure to excessive microwave energy:

- Read all instructions before using the appliance.
- Read and follow the specific "PRECAUTIONS TO AVOID POSSIBLE EXPOSURE TO EXCESSIVE MICROWAVE ENERGY" found in this manual.
- This appliance must be grounded. Connect only to properly grounded outlet. See "GROUNDING INSTRUCTIONS" found in this section.
- Install or locate this appliance only in accordance with the provided Installation Instructions.
- Some products such as whole eggs and sealed containers - for example, closed glass jars - are able to explode and should not be heated in this oven.
- Use this appliance only for its intended use as described in the manual. Do not use corrosive chemicals or vapors in this appliance. This type of oven is specifically designed to heat, cook, or dry food. It is not designed for industrial or laboratory use.
- As with any appliance, close supervision is necessary when used by children.
- Do not operate this appliance if it has a damaged cord or plug, if it is not working properly, or if it has been damaged or dropped.
- This appliance should be serviced only by qualified service personnel. Contact nearest authorized service facility for examination, repair, or adjustment.
- Do not cover or block any openings on the appliance.
- Do not store this appliance outdoors. Do not use this product near water – for example, near a kitchen sink, in a wet basement, near a swimming pool, or similar locations.
- Do not immerse cord or plug in water.
- Keep cord away from heated surfaces.
- Do not let cord hang over edge of table or counter.
- Do not use replacement parts that have not been recommended by the manufacturer (e.g. parts made at home using a 3D printer).
- See door surface cleaning instructions in the Microwave Oven and Maintenance Care section.
- To reduce the risk of fire in the oven cavity:
  - Do not overcook food. Carefully attend appliance when paper, plastic, or other combustible materials are placed inside the oven to facilitate cooking.
  - Remove wire twist-ties from paper or plastic bags before placing bag in oven.
  - If materials inside the oven ignite, keep oven door closed, turn oven off, and disconnect the power cord, or shut off power at the fuse or circuit breaker panel.
  - Do not use the cavity for storage purposes. Do not leave paper products, cooking utensils, or food in the cavity when not in use.
- Liquids, such as water, coffee, or tea are able to be overheated beyond the boiling point without appearing to be boiling. Visible bubbling or boiling when the container is removed from the microwave oven is not always present. THIS COULD RESULT IN VERY HOT LIQUIDS SUDDENLY BOILING OVER WHEN THE CONTAINER IS DISTURBED OR A UTENSIL IS INSERTED INTO THE LIQUID.

### For microwave ovens not intended for use above another heating appliance:

- Do not operate any heating or cooking appliance beneath this appliance.
- Do not mount unit over or near any portion of a heating or cooking appliance.
- Do not mount over a sink.
- Do not store anything directly on top of the appliance surface when the appliance is in operation.

## SAVE THESE INSTRUCTIONS

## PRECAUTIONS TO AVOID POSSIBLE EXPOSURE TO EXCESSIVE MICROWAVE ENERGY

- (a) Do not attempt to operate this oven with the door open since open-door operation can result in harmful exposure to microwave energy. It is important not to defeat or tamper with the safety interlocks.
- (b) Do not place any object between the oven front face and the door or allow soil or cleaner residue to accumulate on sealing surfaces.
- (c) Do not operate the oven if it is damaged. It is particularly important that the oven door close properly and that there is no damage to the:
  - (1) Door (bent),
  - (2) Hinges and latches (broken or loosened),
  - (3) Door seals and sealing surfaces
- (d) The oven should not be adjusted or repaired by anyone except properly qualified service personnel.

# Internet Connectivity Guide for Connected Appliances Only

**IMPORTANT:** Proper installation of your appliance prior to use is your responsibility. Be sure to read and follow the installation instructions that came with your appliance.

Connectivity requires Wi-Fi and account creation. App features and functionality are subject to change. Data rates may apply. Once installed, launch the app. You will be guided through the steps to set up a user account and to connect your appliance.

## You Will Need:

- A home wireless router supporting Wi-Fi, 2.4 Ghz with WPA2 security. If you are unsure of your router's capabilities, refer to the router manufacturer's instructions.
- The router to be on and have a live internet connection.
- The 10-character SAID code for your appliance. The SAID code is either printed on a label on the appliance or found on the LCD screen.

## Federal Communications Commission (FCC) Compliance Notice

This device complies with Part 15 of the FCC Rules. Operation is subject to the following two conditions:

1. This device may not cause harmful interference, and
2. This device must accept any interference received, including interference that may cause undesired operation.

Changes or modifications not expressly approved by the party responsible for compliance could void the user's authority to operate the equipment.

## Industry Canada (IC) Compliance Notice

This Device complies with Industry Canada License-exempt RSS standard(s). Operation is subject to the following two conditions:

1. This device may not cause interference.
2. This device must accept any interference, including interference that may cause undesired operation of the device.

Under Industry Canada regulations, this radio transmitter may only operate using an antenna of a type and maximum (or lesser) gain approved for the transmitter by Industry Canada. To reduce potential radio interference to other users, the antenna type and its gain should be so chosen that the equivalent isotropically radiated power (e.i.r.p.) is not more than that necessary for successful communication.

To comply with FCC and Industry Canada RF radiation exposure limits for general population, antenna(s) used for this transmitter must be installed such that a minimum separation distance of 20 cm is maintained between the radiator (antenna) and all persons at all times and must not be co-located or operating in conjunction with any other antenna or transmitter.

If this equipment does cause harmful interference to radio or television reception, which can be determined by turning the equipment off and on, the user is encouraged to try to correct the interference by one of the following measures:

- Reorient or relocate the receiving antenna.
- Increase the separation between the equipment and receiver.
- Connect the equipment into an outlet on a circuit different from that to which the receiver is connected.
- Consult the dealer or an experienced radio/TV technician for help.

# MICROWAVE OVEN MAINTENANCE AND CARE

## General Cleaning

**IMPORTANT:** Before cleaning, make sure all controls are off and the oven and cooktop are cool. Always follow label instructions on cleaning products.

Soap, water, and a soft cloth or sponge are suggested first, unless otherwise noted.

### STAINLESS STEEL

**NOTE:** To avoid damage to stainless steel surfaces, do not use soap-filled scouring pads, abrasive cleaners, Cooktop Cleaner, steel-wool pads, gritty washcloths or abrasive paper towels. Damage may occur to stainless steel surfaces, even with one-time or limited use.

Rub in direction of grain to avoid damaging.

#### Cleaning Method:

- Affresh®+ Stainless Steel Cleaner Part Number W10355016 (not included) or affresh® Stainless Steel Cleaning Wipes Part Number W10355049 (not included):

See the Quick Start Guide for ordering information.

- All-purpose cleaner: Rinse with clean water and dry with soft, lint-free cloth.
- Vinegar for hard water spots.

### MICROWAVE OVEN DOOR AND EXTERIOR

The area where the oven door and frame touch when closed should be kept clean.

#### Cleaning Method:

- Mild, nonabrasive soaps and detergents:  
Rinse with clean water, and dry with soft, lint-free cloth.
- Glass cleaner and paper towels or nonabrasive plastic scrubbing pad:  
Apply glass cleaner to towel, not directly to surface.

### CONTROL PANEL AND OVEN DOOR EXTERIOR

To avoid damage to the control panel, do not use abrasive cleaners, steel-wool pads, gritty washcloths or abrasive paper towels.

The area where the oven door and frame touch when closed should be kept clean.

#### Cleaning Method:

- Glass cleaner and a soft cloth or sponge or nonabrasive plastic scrubbing pad:  
Apply glass cleaner to soft cloth or sponge, not directly on panel/surface.
- Affresh® Kitchen and Appliance Cleaner Part Number W10355010 (not included):  
See the Quick Start Guide for ordering information.

### OVEN DOOR INTERIOR

#### Cleaning Method:

- Self-Cleaning cycle:  
For optimal door cleaning result, wipe away any deposits with a damp sponge before running cycle.

### OVEN CAVITY

Do not use oven cleaners.

Food spills should be cleaned when oven cools. At high temperatures, foods react with porcelain and staining, etching, pitting or faint white spots can result.

#### Cleaning Method:

- Self-Cleaning cycle:  
See "Self-Cleaning Cycle" first. Remove racks or they will discolor and become harder to slide. If this happens, a light coating of vegetable oil applied to the rack guides will help them slide.

### MICROWAVE OVEN CAVITY

To avoid damage to microwave oven cavity, do not use soap-filled scouring pads, abrasive cleaners, steel-wool pads, gritty washcloths, or some paper towels.

On stainless steel models, rub in direction of grain to avoid damaging.

The area where the oven door and frame touch when closed should be kept clean.

#### Cleaning Method:

##### Average Soil

- Mild, nonabrasive soaps and detergents:  
Rinse with clean water and dry with soft, lint-free cloth.

##### Heavy Soil

- Mild, nonabrasive soaps and detergents:  
Heat 1 cup (250 mL) of water for 2 to 5 minutes in oven. Steam will soften soil. Rinse with clean water and dry with soft, lint-free cloth.

##### Odors

- Lemon juice or vinegar:  
Heat 1 cup (250 mL) of water with 1 tablespoon (15 mL) of either lemon juice or vinegar for 2 to 5 minutes in oven.

### OVEN RACKS

- Steel-wool pad
- Dishwasher
- For racks that have discolored and are harder to slide, a light coating of vegetable oil applied to the rack guides will help them slide.

### MICROWAVE OVEN CEILING

The broil element does not need cleaning since the intense heat will burn off any food spatters. However, the ceiling above the broil element may need regular cleaning.

#### Cleaning Method:

- Warm water, mild detergent, and a sponge.

#### To Clean:

1. Push the fastening thread gently towards the back of the ceiling and then lower it to release the broil element.



2. Lower the front of the broil element to access the ceiling for cleaning.

3. Raise broil element back up and return the fastening thread back to its original location.



Always return the broil element to the cooking position after cleaning.

## Self-Cleaning Cycle

⚠ WARNING

Burn Hazard

**Do not touch the oven during the Self-Cleaning cycle.**

**Keep children away from the oven during Self-Cleaning cycle.**

**Failure to follow these instructions can result in burns.**

**IMPORTANT:** The health of some birds is extremely sensitive to the fumes given off during the Self-Cleaning cycle. Exposure to the fumes may result in death to certain birds. Always move birds to another closed and well-ventilated room.

Self-clean the oven before it becomes heavily soiled. Heavy soil results in longer cleaning and more smoke.

Keep the kitchen well-ventilated during the Self-Cleaning cycle to help get rid of heat, odors, and smoke.

Do not block the oven vent(s) during the Self-Cleaning cycle. Air must be able to move freely. See the "Oven Vents" section in the Quick Start Guide.

Do not clean, rub, damage, or move the oven door gasket. The door gasket is essential for a good seal.

### Prepare Oven

- Remove the broiler pan, grid, cookware and bakeware, and, on some models, the temperature probe from the oven.
- Remove oven racks to keep them shiny and easy to slide. See "General Cleaning" section for more information.
- Remove any foil from the oven because it may burn or melt, damaging the oven.
- Hand clean inside door edge and the 1½" (3.8 cm) area around the inside oven cavity frame, being certain not to move or bend the gasket. This area does not get hot enough during self-cleaning to remove soil. Do not let water, cleaner, etc., enter slots on door frame. Use a damp cloth to clean this area.
- Wipe out any loose soil to reduce smoke and avoid damage. At high temperatures, foods react with porcelain. Staining, etching, pitting or faint white spots can result. This is normal and will not affect cooking performance.

### How the Cycle Works

#### IMPORTANT:

The heating and cooling of porcelain on steel in the oven may result in discoloring, loss of gloss, hairline cracks and popping sounds.

The Self-Cleaning Cycle uses very high temperatures, burning soil to a powdery ash.

Suggested clean times are 3 hours for light soil, 4 hours for medium soil, and 5 hours for heavy soil (includes a 30 minute cool-down time).

Once the oven has completely cooled, remove ash with a damp cloth. To avoid breaking the glass, do not apply a cool damp cloth to the inner door glass before it has completely cooled.

The oven lights will not work during the Self-Cleaning cycle.

On double-oven models, only one oven can self-clean at a time. If one oven is self-cleaning, the other oven cannot be set or turned on.

**NOTE:** The oven has a two-speed cooling fan motor. During the Self-Cleaning cycle, the fan(s) will operate at its highest speed to increase airflow to better exhaust the hotter air through the oven vent(s). An increase in noise may be noticeable during and after the Self-Cleaning cycle until the oven cools.

#### To Start Self-Cleaning

Before Self-Cleaning, make sure the door is closed completely or it will not lock and the cycle will not begin. When the oven is locked, the doors of the oven cannot be opened. To avoid damage to the doors, do not force the doors open when the oven is locked.

1. Touch the Tools keypad.
2. Select the Self Clean icon.  
(On double-oven models): Select Upper Cavity or Lower Cavity.
3. Select type of Self-Cleaning:
  - Steam:** 1 hour: Clean up after everyday light spills using lower heat and 1¼ cups (295.74 mL) of water.
  - High temp:** 4 hours: 3 hour cycle and 1 hour cooling.
  - High temp:** 5 hours: 4 hour cycle and 1 hour cooling.
  - High temp:** 6 hours: 5 hour cycle and 1 hour cooling.
4. Follow the prompts on the oven display to prepare the oven.
5. Select START to begin the cleaning process.

#### OR

Select DELAY START to set a delayed Self-Cleaning cycle. See the "To Delay Start Self-Cleaning Cycle" Section.

The oven doors will automatically lock.

**NOTE:** It may take a couple moments for the oven door to automatically lock after starting the Self-Clean Cycle.

When the self cleaning cycle is complete and the oven cools, the oven doors will unlock.

6. When the oven is completely cooled, remove ash with a damp cloth.

#### To Delay Start of Self-Cleaning

Follow steps 1 through 4 above, then:

1. Select DELAY START or DELAY.
2. Select the start time of when the Self-Cleaning cycle should begin by scrolling from left to right.
3. Select START DELAY.

The oven doors will automatically lock after the Delay Start countdown.

When the Self-Cleaning cycle is complete and the oven cools, the oven doors will unlock.

- When the oven is completely cooled, remove ash with a damp cloth.

#### To Stop Self-Cleaning anytime

Touch the Oven Cancel Keypad for single oven models, or the keypads for double oven models. If the oven temperature is too high, the door will remain locked. It will not unlock until the oven cools.

## Steam Clean (On Some Models)

The Steam Clean feature is designed for light oven cavity bottom cleaning on models that have hidden bake in the oven.

Do not use oven cleaners.

Allow the oven to cool to room temperature before using the Steam Clean feature. If your oven cavity is above 200°F (93°C), the Steam Clean feature will not activate until it cools down.

Remove all racks and accessories from the oven cavity.

For best results, use 10 oz (295.7 mL) of distilled or filtered water.

The Steam Clean feature will take approximately 1 hour. A tone will sound at the end of the cycle.

**IMPORTANT:** Because the water in the oven bottom is hot, do not open the oven door during the Steam Clean cycle.

Touch the Oven Cancel keypad for single oven models and the Upper/Lower keypads for double oven models at any time to end the cycle. The display will return to the time of day.

#### Helpful Hints

- Once the Steam Clean cycle is complete and the oven is completely cooled, remove all remaining water in the bottom of the oven with a sponge or cloth.
- Wipe any remaining moisture from the oven door interior, oven cavity interior sides, and cooktop.
- Use a soft brush or nylon scrubber to wipe the oven interior. This may help with more stubborn stains.
- It is recommended to use distilled or filtered water, as tap water may leave mineral deposits on the oven bottom. Use a cloth soaked with vinegar or lemon juice to remove any mineral deposits that may be left after the Steam Clean cycle.
- If the oven is heavily soiled, use the Self-Cleaning cycle. The Steam Clean cycle may be used first to eliminate most of the debris, resulting in a more effective self-cleaning.

#### To Steam Clean:

- Open the oven door of the selected oven and remove all racks and accessories from the oven cavity.
- Pour 10 oz (295.7 mL) of distilled or filtered water into the oven bottom. Then close the oven door.
- Touch the Tools keypad.  
On double-oven models: Select Upper Cavity or Lower Cavity.
- Select STEAM CLEAN.
- Select START.
- After approximately 1 hour, a tone will sound to signal the end of the cycle. Touch the Oven Cancel keypad for single oven models and the Upper/Lower keypad for double oven models to clear the display.
- When the oven is completely cooled, remove any excess water with a sponge or cloth and wipe down oven interior. If needed, use a non-scratch copper scrubbing pad to remove stubborn soils.

# INSTALLATION INSTRUCTIONS REQUIREMENTS

## Tools and Parts

Gather the required tools and parts before starting installation. Read and follow the instructions provided with any tools listed here

#### Tools Needed

- Phillips screwdriver
- Measuring tape
- Hand or electric drill (for wall cabinet installations)
- 1" (2.5 cm) drill bit (for wall cabinet installations)
- Level
- Flat-blade screwdriver

#### Parts Supplied

- #8-18 x 3/4" (1.9 cm) screws (2)
- #8-18 x 3/8" (9.5 mm) screws - bottom vent (2)
- #8-18 x 3/8" (9.5 mm) screws - bottom vent shield (2)
- Bottom vent and shield

Check local codes. Check existing electrical supply. See the "Electrical Requirements" section.

It is recommended that all electrical connections be made by a licensed, qualified electrical installer

**NOTE:** Be sure to purchase only JennAir factory-certified parts and accessories for your appliance. Your installation may require additional parts. To order, refer to the contact information referenced in your Quick Start Guide.

## Location Requirements

**IMPORTANT:** Observe all governing codes and ordinances.

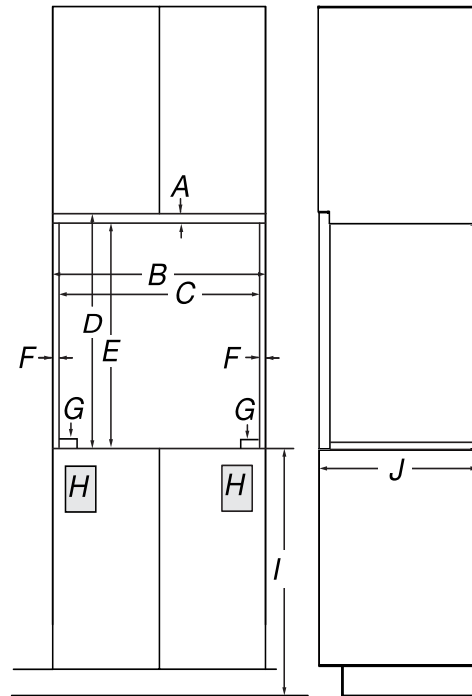
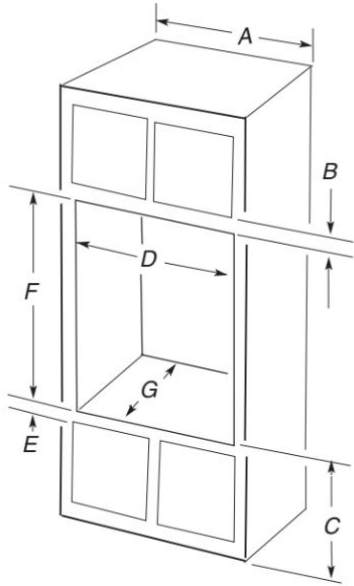
- Cabinet opening dimensions that are shown must be used. Given dimensions provide minimum clearance with oven.
- Recessed installation area must provide complete enclosure around the recessed portion of the oven.
- Grounded electrical supply is required. See "Electrical Requirements" section.
- Electrical supply junction box should be located 3" (7.6 cm) maximum below the support surface when the oven is installed in a wall cabinet. A 1" (2.5 cm) minimum diameter hole should have been drilled in the right rear or left rear corner of the support surface to pass the appliance cable through to the junction box.
- Oven support surface must be solid, level and flush with bottom of cabinet cutout. Floor must be able to support a total weight (microwave and built-in oven) of 208 lbs (95 kg) for 27" (68.6 cm) models or 249 lbs (113 kg) for 30" (76.2 cm) models.

**IMPORTANT:** To avoid damage to your cabinets, check with your builder or cabinet supplier to make sure that the materials used will not discolor, delaminate or sustain other damage. This oven has been designed in accordance with the requirements of UL and CSA International and complies with the maximum allowable wood cabinet temperatures of 194°F (90°C).



**Cabinet Dimensions — Built-in Microwave/Oven Combination**  
**Standard Installation**

The front face of the cleats and platform will be visible and should be treated as a finished surface.



**27" (68.6 cm) models**

**30" (76.2 cm) models**

- |  |  |
|--|--|
| A. 27" (68.6 cm) minimum cabinet width   | A. 30" (76.2 cm) minimum cabinet width   |
| B. 2 <sup>1</sup> / <sub>4</sub> " (5.7 cm) top of cutout to bottom of upper cabinet door  | B. 2 <sup>1</sup> / <sub>4</sub> " (5.7 cm) top of cutout to bottom of upper cabinet door  |
| C. 19 <sup>1</sup> / <sub>4</sub> " (48.9 cm) bottom of cutout to floor is recommended.<br>7"-19 <sup>1</sup> / <sub>4</sub> " (17.8-48.9 cm) bottom of cutout to floor is acceptable. | C. 19 <sup>1</sup> / <sub>4</sub> " (48.9 cm) bottom of cutout to floor is recommended.<br>7"-19 <sup>1</sup> / <sub>4</sub> " (17.8-48.9 cm) bottom of cutout to floor is acceptable. |
| D. 25 <sup>1</sup> / <sub>2</sub> " minimum (64.8 cm) cutout width   | D. 28 <sup>1</sup> / <sub>2</sub> " (72.4 cm) minimum cutout width   |
| E. 1 <sup>1</sup> / <sub>2</sub> " (3.8 cm) minimum bottom of cutout to top of cabinet door  | E. 1 <sup>1</sup> / <sub>2</sub> " (3.8 cm) minimum bottom of cutout to top of cabinet door  |
| F. 41 <sup>5</sup> / <sub>16</sub> " (105 cm)* recommended cutout height   | F. 41 <sup>5</sup> / <sub>16</sub> " (105 cm)* recommended cutout height   |
| G. 24" (60.7 cm) cutout depth  | G. 24" (60.7 cm) cutout depth  |

**\*NOTE:** The cutout height can be between 41<sup>1</sup>/<sub>8</sub>" (104.5 cm) and 41<sup>1</sup>/<sub>2</sub>" (105.6 cm) for microwave/oven combination.

**Flush Installation**

A 25" (63.5 cm) minimum cutout depth is required.

These dimensions will result in a 1/4" (6 mm) reveal on the top, a 1/4" (6 mm) reveal on the sides, and a 1/8" (3 mm) reveal on the bottom of the wall oven.

**Front View**

**Side View**

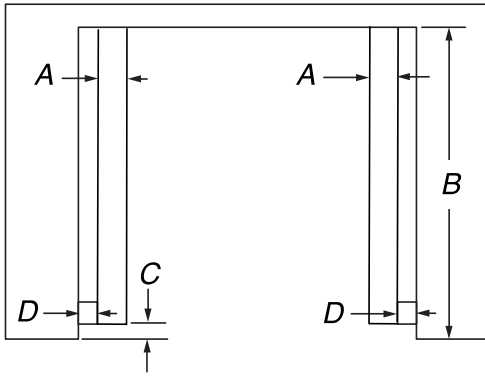
**27" (68.6 cm) models**

**30" (76.2 cm) models**

- |  |  |
|--|--|
| A. 5/8" (1.6 cm) top cleat*  | A. 5/8" (1.6 cm) top cleat*  |
| B. 27 <sup>1</sup> / <sub>4</sub> " (69.2 cm) minimum width of flush inset cutout                              | B. 30 <sup>1</sup> / <sub>4</sub> " (76.8 cm) minimum width of flush inset cutout                              |
| C. 25 <sup>7</sup> / <sub>8</sub> " (65.7 cm) minimum width of opening   | C. 28 <sup>7</sup> / <sub>8</sub> " (73.3 cm) minimum width of opening   |
| D. 43 <sup>1</sup> / <sub>2</sub> " (110 cm) minimum height of flush inset cutout                              | D. 43 <sup>1</sup> / <sub>8</sub> " (110 cm) minimum height of flush inset cutout                              |
| E. 42 <sup>1</sup> / <sub>2</sub> " (107.9 cm) recommended cutout height                                       | E. 42 <sup>1</sup> / <sub>2</sub> " (107.9 cm) recommended cutout height                                       |
| F. 11/16" (1.7 cm) side cleat*   | F. 11/16" (1.7 cm) side cleat*   |
| G. 1/2" x 2" (1.3 cm x 5.1 cm) spacer the entire depth of the cutout*  | G. 1/2" x 2" (1.3 cm x 5.1 cm) spacer the entire depth of the cutout*  |
| H. Recommended junction box location   | H. Recommended junction box location   |
| I. 4 <sup>5</sup> / <sub>8</sub> "-19 <sup>1</sup> / <sub>4</sub> " (11.7 - 48.9 cm) bottom of cutout to floor | I. 4 <sup>5</sup> / <sub>8</sub> "-19 <sup>1</sup> / <sub>4</sub> " (11.7 - 48.9 cm) bottom of cutout to floor |
| J. 25" (63.5 cm) minimum depth of cutout   | J. 25" (63.5 cm) minimum depth of cutout   |

\* Cleats and spacers must be recessed 1<sup>3</sup>/<sub>8</sub>" (3.5 cm) from the front of the cabinet.





### Top View

#### 27" (68.6 cm) models

- A. 1/2" x 2" (1.3 cm x 5.1 cm) spacer the entire depth of the cutout\*
- B. 25" (63.5 cm) depth of cutout
- C. 1 1/2" (3.5 cm) recess from front of cabinet
- D. 1 1/16" (1.7 cm) side cleat\*

#### 30" (76.2 cm) models

- A. 1/2" x 2" (1.3 cm x 5.1 cm) spacer the entire depth of the cutout\*
- B. 25" (63.5 cm) depth of cutout
- C. 1 1/2" (3.5 cm) recess from front of cabinet
- D. 1 1/16" (1.7 cm) side cleat\*

\* Cleats and spacers must be recessed 1 3/8" (3.5 cm) from the front of the cabinet.

## Electrical Requirements

If codes permit and a separate ground wire is used, it is recommended that a qualified electrical installer determine that the ground path and the wire gauge are in accordance with local codes.

Check with a qualified electrical installer if you are not sure the oven is properly grounded.

This oven must be connected to a grounded metal, permanent wiring system.

Be sure that the electrical connection and wire size are adequate and in conformance with the National Electrical Code, ANSI/NFPA 70-latest edition or CSA Standards C22.1-94, Canadian Electrical Code, Part 1 and C22.2 No. O-M91-latest edition, and all local codes and ordinances.

A copy of the above code standards can be obtained from:

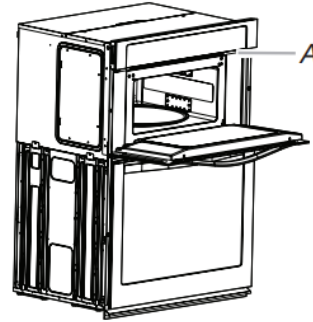
National Fire Protection Association  
1 Batterymarch Park  
Quincy, MA 02169-7471

CSA International  
8501 East Pleasant Valley Road  
Cleveland, OH 44131-5575

## Electrical Connection

To properly install your oven, you must determine the type of electrical connection you will be using and follow the instructions provided for it here.

- Oven must be connected to the proper electrical voltage, amperage, and frequency as specified on the model/serial/rating plate. See the following illustration.



A. Model/serial/rating plate

- Models rated from 7.3 to 9.6 kW at 240 V (6.3 to 8.3 kW at 208 V) require a separate 40 A circuit. Models rated from 4.9 to 7.2 kW at 240 V (4.3 to 6.2 kW at 208 V) require a separate 30 A circuit. Models rated at 4.8 kW and below at 240 V (4.2 kW and below at 208 V) require a separate 20 A circuit.
- A circuit breaker is recommended.
- Connect directly to the fused disconnect (or circuit breaker box) through flexible, armored or nonmetallic sheathed, copper cable (with grounding wire). See the "Make Electrical Connection" section.
- Flexible conduit from the oven should be connected directly to the junction box.
- Do not cut the conduit. The length of conduit provided is for serviceability of the oven.
- A UL listed or CSA approved conduit connector must be provided.
- If the house has aluminum wiring, follow the procedure below: Connect the aluminum wiring using special connectors and/or tools designed and UL listed for joining copper to aluminum. Follow the electrical connector manufacturer's recommended procedure. Aluminum/copper connection must conform with local codes and industry accepted wiring practices.

Be sure that the electrical connection and wire size are adequate and in conformance with the National Electrical Code, ANSI/NFPA 70-latest edition or CSA Standards C22.1-94, Canadian Electrical Code, Part 1 and C22.2 No. O-M91-latest edition, and all local codes and ordinances. A copy of the above code standards can be obtained from: National Fire Protection Association 1 Batterymarch Park Quincy, MA 02169-7471 CSA International 8501 East Pleasant Valley Road Cleveland, OH 44131-5575.

# INSTALLATIONS

## Prepare Built-In Oven

1. Decide on the final location for the oven. Avoid drilling or cutting into house wiring during installation.

### **⚠WARNING**

#### **Excessive Weight Hazard**

**Use two or more people to move and install or uninstall appliance.**

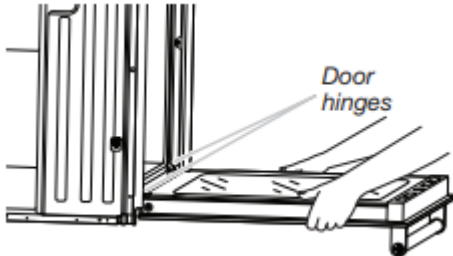
**Failure to do so can result in back or other injury.**

2. To avoid floor damage, set the oven onto cardboard prior to installation. Do not use handle or any portion of the front frame for lifting.
3. Remember to remove bottom vent from the foam packing on top of oven.
4. Remove the shipping materials and tape from the oven. Remember to keep the corner posts and other materials that may be needed for installation.
5. Remove the hardware package from inside the bag containing literature.
6. Remove and set aside racks and other parts from inside the oven.
7. Move oven and cardboard close to the oven's final location.

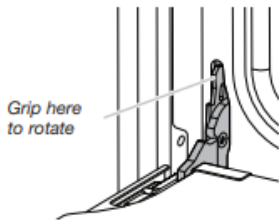
## Remove Oven Door(s)

**IMPORTANT:** Use 2 hands to remove oven door. For double ovens, repeat the process for each door.

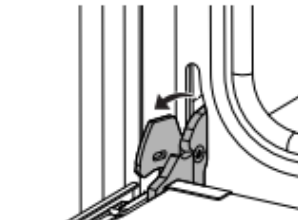
1. Prior to removing the oven door, prepare a surface where you will place it. This surface should be flat and covered with a soft blanket, or use the corner posts from your packaging material.
2. Fully open the oven door.



3. Locate the oven door hinge locks in both corners of the oven door, and rotate the hinge locks toward the oven door to the unlocked position. If the door hinge lock is not rotated fully (see illustration B), the door will not remove properly.

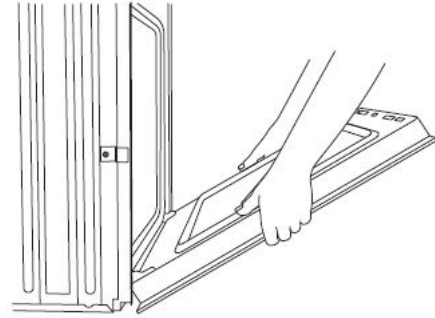


A. Oven door hinge lock in locked position



B. Oven door hinge lock in unlocked position

4. Gently start to close the door. The door will stop at a partially closed position.



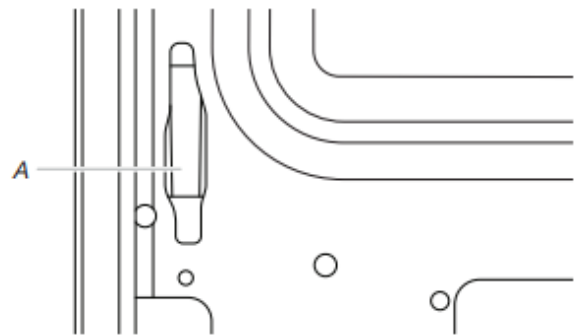
5. Using 2 hands, grasp the edges of the oven door. Close the oven door slightly past the stop position to take the weight off of the door hinges, and then pull the oven door up.



6. Pull the oven door toward you, and then remove. You may need to gently shift door from side to side as you pull.
7. Set the oven door aside on the prepared covered work surface with the oven door resting on its handle.
8. To continue with the oven installation, go to the "Positioning Oven Feet for Multiple Cabinet Cutout Heights" section.

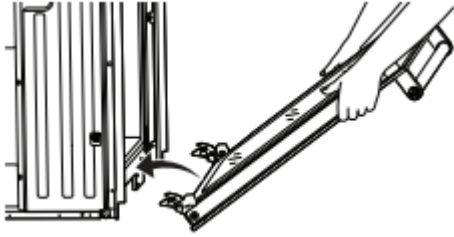
## Replace Oven Door(s)

1. Using two hands, grasp side edges of door at the midpoint. Face the oven cavity.
2. Locate the slots on each side of the oven cavity for the door hinge locks.

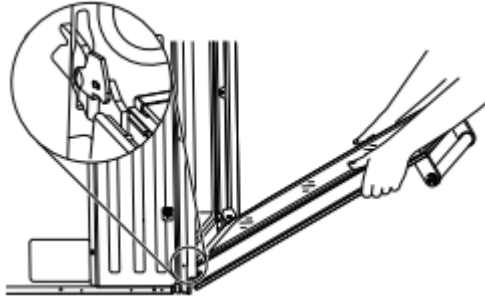


A. Slot in the oven cavity for door hinge lock

- Using 2 hands, grasp the edges of the oven door. At a 45° angle, insert the hinges at the same time, and push the oven door into the oven cavity slot to replace. You may need to gently shift the door from side to side as you push.

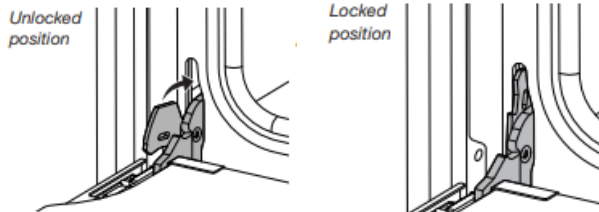


- Make sure the door hinge notch is engaged on the bottom of the oven cavity slot.



**IMPORTANT:** Do not close the door at this step or damage may occur to the door hinge.

- Lower the oven door to the fully open position. If the oven door does not open to a full 90°, repeat steps 1 through 3.
- Locate the oven door hinge locks in the corners of the oven door, and rotate the hinge locks toward the oven cavity to the locked position.



- After the door hinges have been locked, gently swing the door upward to close. The door should not be forced closed.
- When the hinges are properly installed and the door is closed, there should be an even gap between the door and the control panel. If one side of the oven door is lower than the other, the hinge on that side is not properly installed.

## Make Electrical Connection

**IMPORTANT:** For Flush installation before making electrical connection, the oven feet need to be installed to allow a microwave/oven combination to be installed in a recommended cutout height of 42<sup>1</sup>/<sub>2</sub>" (107.9 cm). Please contact service for feet to be shipped to you free of charge.

### ⚠ WARNING



#### Electrical Shock Hazard

Disconnect power before servicing.

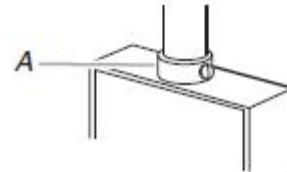
Use 8 gauge copper wire.

Electrically ground oven.

Failure to follow these instructions can result in death, fire, or electrical shock.

This oven is manufactured with a neutral (white) power supply wire and a cabinet-connected green (or bare) ground wire twisted together.

- Disconnect power.
- Feed the flexible conduit from the oven through the opening in the cabinet.
- Remove junction box cover, if it is present.
- Install a UL listed or CSA approved conduit connector to the junction box.



A. UL listed or CSA approved conduit connector

- Route the flexible conduit from the oven to the junction box through a UL listed or CSA approved conduit connector.
- Tighten screws on conduit connector.
- See "Electrical Connection Options Chart" to complete installation for your type of electrical connection.

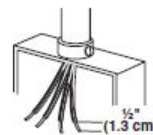
### Electrical Connection Options Chart

If your home has:

Go to section:

4-wire

4-Wire Cable from Home Power Supply



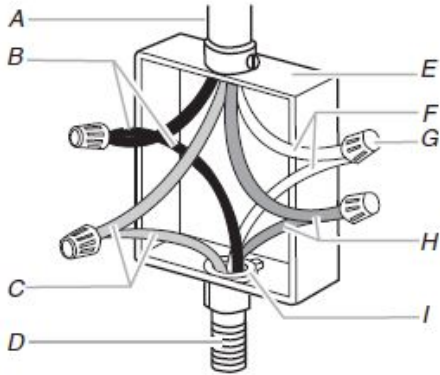
3-wire

3-Wire Cable from Home Power Supply



## 4-Wire Cable from Home Power Supply

**IMPORTANT:** Use the 4-wire cable from home power supply in the U.S. where local codes do not allow grounding through neutral, New Branch circuit installations (1996 NEC), mobile homes and recreational vehicles, new construction and in Canada.

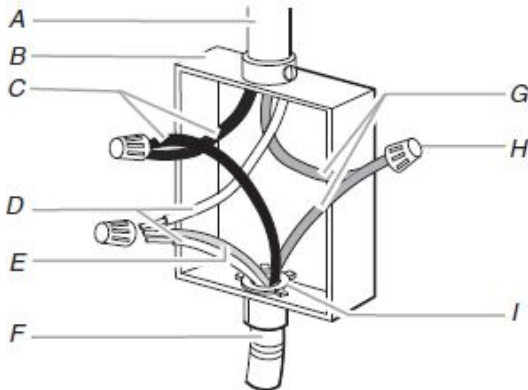


- |                                      |  |
|--------------------------------------|--|
| A. Cable from home power supply      | F. White wires                                 |
| B. Black wires                       | G. UL listed wire connectors                   |
| C. Red wires                         | H. Green (or bare) ground wires                |
| D. 4-wire flexible conduit from oven | I. UL listed or CSA approved conduit connector |
| E. Junction box                      |  |

1. Connect the 2 black wires (B) together using a UL listed wire connector.
2. Connect the 2 red wires (C) together using a UL listed wire connector.
3. Untwist white wire from green (or bare) ground wire coming from the oven.
4. Connect the 2 white wires (F) together using a UL listed wire connector.
5. Connect the green (or bare) ground wire (H) from the oven cable to the green (or bare) ground wire (in the junction box) using a UL listed wire connector.
6. Install junction box cover.

## 3-Wire Cable from Home Power Supply – U.S. Only

**IMPORTANT:** Use the 3-wire cable from home power supply where local codes permit a 3-wire connection.



- |  |  |
|--|--|
| A. Cable from home power supply            | F. 4-wire flexible conduit from oven           |
| B. Junction box                            | G. Red wires                                   |
| C. Black wires                             | H. UL listed wire connectors                   |
| D. White wires                             | I. UL listed or CSA approved conduit connector |
| E. Green (or bare) ground wire (from oven) |  |

1. Connect the 2 black wires (C) together using a UL listed wire connector.
2. Connect the 2 white wires (D) and the green (or bare) ground wire (of the oven cable) using a UL listed wire connector.
3. Connect the 2 red wires (G) together using a UL listed wire connector.
4. Install junction box cover.

## Install Oven

1. Using two or more people, lift oven partially into cabinet cutout. Use the oven opening as an area to grip.

**NOTE:** Push against seal area of oven front frame when pushing oven into cabinet. Do not push against outside edges.

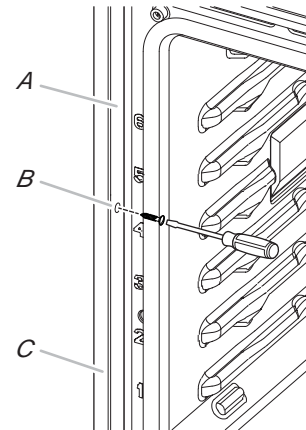


2. Push against the seal area of the front frame to push the oven into the cabinet until the back surface of the front frame touches the front wall of the cabinet.



3. Push oven completely into cabinet and center oven into cabinet cutout.
4. Securely fasten the oven to the cabinet using the #8-14 x 3/4" screws provided.

Insert the screws through hole in black trim aligning with hole in oven frame. Do not overtighten screws.

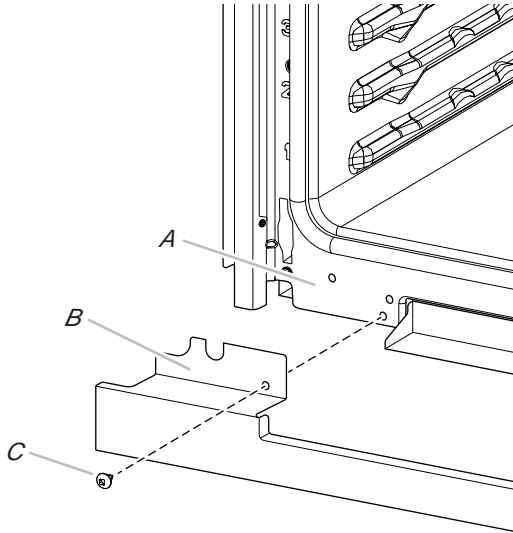


- |                    |
|--------------------|
| A. Oven frame      |
| B. Side trim hole  |
| C. Side trim piece |

5. The bottom vent and bottom vent shield are shipped in the foam packing at the top of the oven.

Long bottom vent trims are used when the oven is installed with the feet in the tall position. Please contact service for one to be shipped to you free of charge.

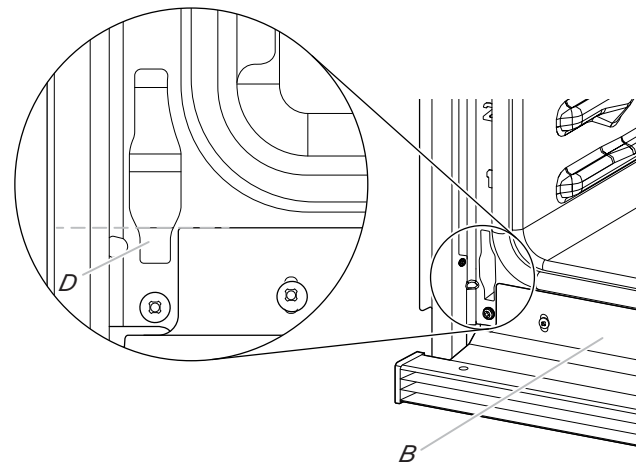
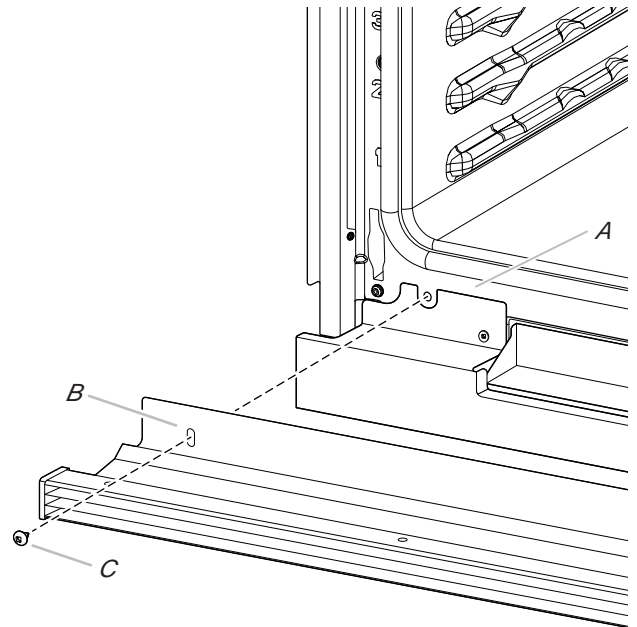
- Align vent tab (B) with oven frame (A) as shown.
- Using one #8-18 x 3/8" (9.5 mm) screw (C) on each side of the vent tab (B), fasten the vent securely to the oven frame (A).



A. Oven frame  
B. Vent tab  
C. #8-18 x 3/8" screws

6. After the bottom vent shield is installed.

- Align the Bottom vent tab (B) with the oven frame (A) as shown.
- Using one #8-18 x 3/8" (9.5 mm) screw (C) on each side of the vent tab (B), align the top of the bottom vent tab (B) to the Hinge receiver (D) as shown.
- Fasten the bottom vent securely to the oven frame (A).



A. Oven frame  
B. Vent tab  
C. #8-18 x 3/8" (9.5 mm) screw  
D. Hinge receiver

7. Replace the oven racks.
8. Replace the oven door. See the "Replace Oven Door(s)" section.
9. Check that the door is free to open and close. If it is not, repeat the removal and installation procedures. See the "Prepare Built-In Oven" section.
10. Repeat for lower oven door.
11. Reconnect power.
12. The display panel will light briefly, and "PF" should appear in the display.
13. If the display panel does not light, refer the Warranty.

## Complete Installation

1. Check that all parts are now installed. If there is an extra part, go back through the steps to see which step was skipped.
2. Check that you have all of your tools.
3. Dispose of/recycle all packaging materials.
4. For oven cleaning, read the "Microwave Oven Maintenance and Care" section.

### Check Operation of Lower Oven

1. Turn power on.
2. At first use, set up the languages, clock, and any other preferences, if available. For more information, read the online Control Guide.
3. Press OVEN.
4. Select Cooking Method.
5. Select BROIL.
6. Set the temperature.
7. Press START.

#### If Oven Does Not Operate, Check the Following:

- Household fuse is intact and tight; or circuit breaker has not tripped.
  - Electrical supply is connected.
  - See the Online Troubleshooting section.
8. When oven has been on for 5 minutes, feel for heat.  
**NOTE:** Odors and smoke are normal when the oven is used the first few times.  
If you do not feel heat or if an error message appears in the display, turn off the oven and contact a qualified technician.
  9. (On Some Models) Place the SatinGlide™ Roll-Out Extension Rack for Smart Oven+ Attachments in the lowest rack position in the unit to make sure the correct accessory rack is on the bottom
  10. Press OVEN/CANCEL OVEN on single ovens to cancel.
    - Press UPPER/LOWER on double ovens to cancel.

### Check Operation of Microwave Oven

1. Fill a microwave-safe container with 1 cup (250 mL) of water and place container inside microwave oven. Close door firmly.
2. Press MICROWAVE.
3. Select Cooking Method.
4. Set microwave oven cook time to 2 minutes.
5. Press START. The interior microwave oven light should be on, and the remaining cooking time should be displayed.  
When display reads "1:00", open microwave oven door. The microwave should stop cooking. Close door firmly. The interior microwave oven light should turn off.
6. Press START. Microwave oven should begin cooking, and the microwave oven interior light should be on.  
Let microwave oven complete cooking time. A tone will sound four times at the end of the cooking time, and the microwave oven will shut off.
7. Open microwave oven door and slowly remove container. Water in container should be hot.

#### If you need Assistance or Service:

Please refer to the Quick Start Guide for contact information, or contact the dealer from whom you purchased your built-in electric ovens and microwave ovens.



# SÉCURITÉ DE L'ENSEMBLE FOUR ÉLECTRIQUE/FOUR À MICRO-ONDES ENCASTRÉ

## Votre sécurité et celle des autres sont très importantes.

Nous donnons de nombreux messages de sécurité importants dans ce manuel et sur votre appareil. Assurez-vous de toujours lire tous les messages de sécurité et de vous y conformer.



Voici le symbole d'alerte de sécurité.

Ce symbole d'alerte de sécurité vous signale les dangers potentiels de décès et de blessures graves.

Tous les messages de sécurité suivront le symbole d'alerte de sécurité et le mot « DANGER » ou « AVERTISSEMENT ». Ces mots signifient :

**▲ DANGER**

**Risque possible de décès ou de blessure grave si vous ne suivez pas immédiatement les instructions.**

**▲ AVERTISSEMENT**

**Risque possible de décès ou de blessure grave si vous ne suivez pas les instructions.**

Tous les messages de sécurité vous diront quel est le danger potentiel, comment réduire le risque de blessure et ce qui peut se produire en cas de non-respect des instructions.

## IMPORTANTES INSTRUCTIONS DE SÉCURITÉ

**AVERTISSEMENT :** Afin de réduire le risque d'incendie, de décharge électrique ou de blessures lors de l'utilisation de l'appareil, il convient d'observer certaines précautions fondamentales, notamment :

- Bonne installation – l'appareil, lorsqu'il est installé, doit être relié à la terre conformément aux codes locaux, ou en l'absence de codes locaux, au *National Electrical Code*, *ANSI/NFPA 70* ou au *Code canadien de l'électricité CSA C22.1-02*. Au Canada, l'appareil doit être relié à la terre en respectant le Code canadien de l'électricité. S'assurer que l'appareil est bien installé et que la mise à la terre est réalisée par un technicien qualifié.
- Ne jamais utiliser l'appareil pour chauffer ou réchauffer la pièce.
- Ne pas laisser les enfants seuls – Les enfants ne doivent pas être laissés seuls ou sans surveillance dans la zone où l'appareil est utilisé. Ils ne doivent jamais être autorisés à s'asseoir ou à se tenir debout sur une partie quelconque de l'appareil.
- Porter des vêtements adaptés – Les vêtements pendants ou non ajustés ne doivent jamais être portés lorsqu'on utilise l'appareil.
- Entretien par l'utilisateur – Ne pas réparer ou remplacer une quelconque pièce de l'appareil sans recommandation spécifique du manuel. Toutes les autres tâches d'entretien doivent être effectuées par un technicien qualifié.
- Entreposage dans ou sur l'appareil – Les matières inflammables ne doivent pas être entreposées dans un four ou près de la surface de la table.
- Cet appareil n'est pas conçu pour servir d'espace de rangement.
- Ne pas utiliser d'eau sur les feux de friture – Éteindre le feu ou la flamme ou utiliser un extincteur avec agent chimique sec ou mousseux.
- Ne pas utiliser de pièces de remplacement qui n'ont pas été recommandées par le fabricant (c.-à-d., pièces fabriquées à la maison à l'aide d'une imprimante 3D).
- Utiliser uniquement des mitaines sèches – Les mitaines humides ou trempées sur les surfaces chaudes peuvent provoquer des brûlures dues à la vapeur. Ne pas laisser les mitaines toucher des éléments chauffants et chauds. Ne pas utiliser un chiffon ou tout autre tissu encombrant.
- Ouvrir la porte lentement – Laisser la chaleur ou la vapeur s'échapper avant de retirer ou de remettre en place un plat.
- NE PAS TOUCHER LES ÉLÉMENTS CHAUFFANTS OU LES SURFACES INTÉRIEURES DU FOUR – Les éléments chauffants peuvent être chauds même s'ils sont de couleur foncée. Les surfaces intérieures du four peuvent être suffisamment chaudes pour provoquer des brûlures. Pendant et après l'utilisation, ne pas toucher ou laisser des vêtements ou d'autres matériaux inflammables en contact avec les éléments chauffants ou les surfaces intérieures tant qu'ils n'ont pas suffisamment refroidi. Les autres surfaces de l'appareil peuvent devenir suffisamment chaudes pour causer des brûlures – les serpentins et éléments de cuissons, les ouvertures de ventilation et les surfaces autour de ces ouvertures, les portes du four et les hublots de portes font partie de ces surfaces.
- Ne pas faire chauffer un contenant qui n'a pas été ouvert – L'accumulation de pression pourrait faire éclater le contenant et causer des blessures.
- Garder dégagés les conduits de ventilation du four.
- Position des grilles du four – toujours placer les grilles à la position souhaitée lorsque le four est froid. Si une grille doit être déplacée pendant que le four est chaud, ne pas laisser la poignée entrer en contact avec l'élément chaud du four.

**CONSERVER CES INSTRUCTIONS**



## IMPORTANTES INSTRUCTIONS DE SÉCURITÉ

### Pour les fours autonettoyants :

- Ne pas nettoyer le joint de la porte – Le joint de la porte est essentiel pour une bonne étanchéité. Faire attention à ne pas frotter, endommager ou déplacer le joint.
- Ne pas utiliser de revêtement de protection pour recouvrir le four et ne pas utiliser de nettoyant commercial pour four, sauf s'il est certifié pour une utilisation dans les fours autonettoyants.
- Ne nettoyer que les pièces indiquées.

- Avant d'effectuer l'autonettoyage du four – Retirer la lèchefrite et les autres ustensiles, puis essuyer tous les excès de déversement.

### Pour les cuisinières et fours intelligents :

- Utilisation à distance – cet appareil peut être configuré pour permettre l'utilisation à distance en tout temps. Ne pas ranger de matériaux inflammables ou sensibles à la température sur le dessus ou près de la surface de l'appareil.

**CONSERVER CES INSTRUCTIONS**

## INSTRUCTIONS IMPORTANTES DE SÉCURITÉ

Lors de l'utilisation d'appareils électriques, il faut toujours observer certaines précautions élémentaires de sécurité, y compris les suivantes :

**AVERTISSEMENT :** Pour réduire les risques de brûlure, de décharges électriques, d'incendie, de blessures ou d'exposition à un rayonnement excessif de micro-ondes :

- Lire toutes les instructions avant d'utiliser l'appareil.
- Lire et respecter les « PRÉCAUTIONS POUR ÉVITER LES EXPOSITIONS POSSIBLES À UN RAYONNEMENT EXCESSIF AUX MICRO-ONDES » spécifiques de ce manuel.
- Cet appareil doit être relié à la terre. Brancher uniquement dans une prise reliée à la terre. Consulter le point « INSTRUCTIONS DE LIAISON À LA TERRE » de cette section.
- Installer ou placer cet appareil en respectant toutes les instructions d'installation fournies.
- Certains produits comme les œufs entiers et les contenants scellés, comme un pot en verre fermé, peuvent exploser et ne devraient pas être chauffés dans ce four.
- Utiliser cet appareil uniquement dans le cadre de l'usage auquel il se destine comme décrit dans le manuel. Ne pas utiliser de produits chimiques corrosifs ou dégageant des vapeurs dans cet appareil. Ce type de four est spécialement conçu pour chauffer, cuire ou sécher des aliments. Il n'est pas conçu pour une utilisation à des fins industrielles ou en laboratoires.
- Comme pour tout appareil, une bonne supervision est nécessaire lorsqu'un enfant utilise l'appareil.
- Ne pas utiliser ce produit si la fiche ou le cordon est endommagé, s'il ne fonctionne pas correctement ou s'il a subi une chute ou a été endommagé de quelque façon que ce soit.
- Seule une personne qualifiée est habilitée à effectuer une intervention d'entretien sur cet appareil. Communiquer avec l'entreprise de service autorisé la plus près de chez vous pour la vérification, la réparation et le réglage.
- Ne pas couvrir ou obstruer les ouvertures de l'appareil.
- Ne pas ranger l'appareil à l'extérieur. Ne pas utiliser cet appareil près d'une source d'eau comme un évier de cuisine, un sous-sol humide, une piscine ou tout autre emplacement semblable.
- Ne pas immerger le cordon ou la fiche dans l'eau.
- Maintenir le cordon à l'écart de toute surface chaude.
- Ne pas laisser le cordon pendre par-dessus le bord d'une table ou d'un comptoir.
- Ne pas utiliser de pièces de remplacement qui n'ont pas été recommandées par le fabricant (c.-à-d., pièces fabriquées à la maison à l'aide d'une imprimante 3D).
- Voir les instructions de nettoyage de la surface de la porte dans la section « Entretien et réparation du four à micro-ondes ».
- Pour réduire les risques d'incendie dans la cavité du four :
  - Ne pas trop faire cuire les aliments. Surveiller attentivement l'appareil lorsque du papier, du plastique ou d'autres matériaux combustibles sont placés à l'intérieur pour faciliter la cuisson.
  - Retirer les attaches des sacs en papier ou en plastique avant de placer le sac dans le four.
  - Si des matériaux prennent en feu dans le four, garder la porte du four fermée, éteindre le four et débrancher le cordon d'alimentation ou fermer l'alimentation au fusible ou disjoncteur.
  - Ne pas utiliser la cavité comme remisage. Ne pas laisser de produits en papier, d'ustensiles de cuisson ou d'aliments dans la cavité lorsque l'appareil n'est pas utilisé.
- Les liquides, comme l'eau, le café ou le thé, peuvent être chauffés au-delà du point d'ébullition sans pour autant avoir l'air de bouillir. Des bulles ou une ébullition lorsque le contenant est sorti du four à micro-ondes ne sont pas toujours visibles. **LE CONTENU LIQUIDE TRÈS CHAUD PEUT AINSI SOUDAINEMENT BOUILLIR LORSQUE LE CONTENANT EST DÉPLACÉ OU SI UN USTENSILE EST INSÉRÉ DANS LE LIQUIDE.**

### **Pour les fours à micro-ondes qui ne sont pas conçus pour être utilisés au-dessus d'un autre appareil qui produit de la chaleur :**

- Ne pas utiliser un appareil de chauffage ou de cuisson sous cet appareil.
- Ne pas fixer l'appareil au-dessus ou près d'un appareil de chauffage ou de cuisson.
- Ne pas installer au-dessus d'un évier.
- Ne rien placer directement sur le dessus de l'appareil lorsque ce dernier est utilisé.

## CONSERVER CES INSTRUCTIONS

# PRÉCAUTIONS POUR ÉVITER TOUTE EXPOSITION ÉVENTUELLE AU RAYONNEMENT EXCESSIF DE MICRO-ONDES ET UTILISER L'APPAREIL SANS DANGER

- (a) Ne pas tenter de faire fonctionner ce four lorsque la porte est ouverte puisque l'utilisation la porte ouverte peut entraîner une exposition dangereuse au rayonnement des micro-ondes. Il est important de ne pas modifier ou contourner le verrouillage de sécurité.
- (b) Ne placer aucun objet entre le devant du four à micro-ondes et la porte ou ne pas permettre à de la saleté ou des résidus de nettoyage de s'accumuler sur les surfaces des joints d'étanchéité.
- (c) Ne pas ouvrir le four à micro-ondes s'il est endommagé. Il est très important que la porte du four ferme correctement et qu'il n'y ait pas de dommage à :
  - (1) la porte (tordue);
  - (2) les charnières et loquets (brisées ou lâches);
  - (3) les joints d'étanchéité de la porte et leur surface.
- (d) Le four ne doit pas être réglé ou réparé par une personne autre qu'une personne d'entretien qualifiée.

## Guide de connexion Internet pour appareils connectés seulement

**IMPORTANT :** Il est de la responsabilité de l'utilisateur de bien installer l'appareil avant de l'utiliser. Bien lire et suivre le guide d'installation qui accompagne l'appareil.

La connectabilité nécessite un réseau Wi-Fi et la création d'un compte. Les fonctions de l'application peuvent changer. Des frais de transfert de données peuvent s'appliquer. Une fois installée, lancer l'application. Suivre les étapes de configuration du compte d'utilisateur et de connexion de l'appareil.

### Il faut :

- Un routeur sans fil compatible Wi-Fi à 2,4 GHz avec sécurité WPA2. Pour vérifier les capacités du routeur, consulter le manuel d'instructions du fabricant du routeur.
- Le routeur devra être en marche et connecté à Internet.
- Le numéro SAID à 10 caractères de votre appareil. Le numéro SAID est imprimé sur une étiquette collée sur l'appareil ou peut être affiché à l'écran ACL.

### Déclaration de conformité de la Commission fédérale des communications (FCC)

Cet appareil est conforme à la norme FCC, partie 15. Le bon fonctionnement de l'appareil est fonction de deux conditions :

1. Cet appareil ne doit pas produire de brouillage dommageable et
2. cet appareil doit accepter tout brouillage radioélectrique subi, même si le brouillage est susceptible d'en compromettre le fonctionnement.

Tous changements ou toutes modifications n'ayant pas été expressément approuvés par la partie responsable de la conformité pourraient annuler l'autorité de l'utilisateur à utiliser l'appareil.

### Déclaration de conformité d'Industrie Canada (IC)

Cet appareil satisfait aux prescriptions des documents CNR/RSS d'Industrie Canada (utilisation sans licence). Le bon fonctionnement de l'appareil est fonction de deux conditions :

1. Cet appareil ne doit pas produire de brouillage.
2. Cet appareil doit être compatible avec n'importe quelle interférence, y compris des interférences causées par l'utilisation involontaire de l'appareil.

En vertu des règlements d'Industrie Canada, cet émetteur radio ne peut fonctionner qu'à l'aide d'une antenne d'un type et de gain maximum (ou moins) approuvé pour l'émetteur par Industrie Canada. Pour réduire les interférences radio potentielles pour les autres utilisateurs, le type d'antenne et son gain doivent être choisis de sorte que la puissance isotrope rayonnée équivalente (PIRE) ne dépasse pas ce qui est nécessaire pour une communication réussie.

Pour satisfaire aux exigences de la FCC et d'Industrie Canada sur l'exposition aux radiations de radiodiffusion, les antennes utilisées avec cet émetteur doivent être installées de telle sorte qu'il y ait une distance de 20 cm ou plus séparant la source de radiation (antenne) et toute personne en tout temps et ne doit pas être co-utilisée ou fonctionner en même temps qu'une autre antenne ou qu'un émetteur.

Si cet appareil cause des interférences nuisibles à la réception radio ou télévision, pouvant être déterminées par le fait d'allumer et d'éteindre l'appareil, l'utilisateur est encouragé à essayer de corriger les interférences en suivant l'un des conseils suivants :

- Réorienter ou déplacer l'antenne de réception.
- Augmenter la distance séparant l'appareil du récepteur.
- Brancher l'appareil sur un circuit différent de celui où le récepteur est branché.
- Contacter un revendeur ou un technicien radio/télévision qualifié pour obtenir de l'aide.

# ENTRETIEN ET RÉPARATION DU FOUR À MICRO-ONDES

## Nettoyage général

**IMPORTANT :** Avant le nettoyage, s'assurer que toutes les commandes sont éteintes et que le four et la table de cuisson sont froids. Toujours suivre les instructions figurant sur les étiquettes des produits de nettoyage.

L'usage de savon, d'eau et d'un chiffon doux ou d'une éponge est suggéré en priorité, sauf indication contraire.

### ACIER INOXYDABLE

**REMARQUE :** Afin d'éviter d'endommager les surfaces en acier inoxydable, ne pas utiliser de tampons à récurer savonneux, de nettoyants abrasifs, de crème à polir pour table de cuisson, de tampons en laine d'acier, de chiffons de lavage rêches ou d'essuie-tout abrasifs. Ils peuvent endommager les surfaces en acier inoxydable, même après une seule ou quelques applications.

Frotter dans la direction du grain pour éviter les dommages.

#### Méthode de nettoyage :

- Nettoyant affresh®+ pour acier inoxydable – pièce no W10355016 (non fournie) ou lingette de nettoyage affresh® pour acier inoxydable – pièce no W10355049 (non fournie) : Consulter le Guide de démarrage rapide pour les informations de commande.
- Nettoyant tout-usage : Rincer à l'eau propre et sécher avec un chiffon doux sans charpie.
- Vinaigre pour les taches d'eau dure.

## EXTÉRIEUR ET PORTE DU FOUR À MICRO-ONDES

La zone de contact de la porte et du cadre du four, quand la porte est fermée, doit être maintenue propre.

#### Méthode de nettoyage :

- Savons et détergents doux, non abrasifs : Rincer à l'eau propre et sécher avec un chiffon doux sans charpie.
- Nettoyant à vitre et serviette de papier ou tampon à récurer non abrasif en plastique : Vaporiser du nettoyant à vitre sur la serviette, pas directement sur la surface.

## TABLEAU DE COMMANDE ET EXTÉRIEUR DE LA PORTE DU FOUR

Afin d'éviter d'endommager le tableau de commande, ne pas utiliser de nettoyants abrasifs, de tampons en laine d'acier, de chiffons de lavage rêches ou d'essuie-tout abrasifs.

La zone de contact de la porte et du cadre du four, quand la porte est fermée, doit être maintenue propre.

#### Méthode de nettoyage :

- Nettoyant à vitre et chiffon doux ou éponge ou tampon à récurer non abrasif en plastique : Appliquer le nettoyant à vitre sur un chiffon doux ou une éponge et non directement sur le tableau.
- Nettoyant affresh® pour cuisine et appareils ménagers – numéro de pièce W10355010 (vendu séparément) : Consulter le Guide de démarrage rapide pour les informations de commande.

## INTÉRIEUR DE LA PORTE DU FOUR

#### Méthode de nettoyage :

- Programme d'autonettoyage :

Pour un nettoyage optimal de la porte, essuyer tout dépôt avec une éponge humide avant de lancer le programme.

### CAVITÉ DU FOUR

Ne pas utiliser de nettoyants à four.

Les éclaboussures alimentaires doivent être nettoyées lorsque le four a refroidi. À haute température, les aliments réagissent avec l'émail et peuvent provoquer la formation de taches, une attaque acide, des piqûres ou des décolorations blanchâtres.

#### Méthode de nettoyage :

- Programme d'autonettoyage :

Voir d'abord « Programme d'autonettoyage ». Retirer les grilles pour qu'elles ne décolorent pas et qu'elles ne deviennent pas difficiles à faire glisser. Le cas échéant, une légère couche d'huile végétale appliquée sur les glissières facilitera le glissement des grilles.

### CAVITÉ DU FOUR À MICRO-ONDES

Afin d'éviter d'endommager la cavité du four à micro-ondes, ne pas utiliser de tampons à récurer savonneux, de nettoyants abrasifs, de tampons en laine d'acier, de chiffons de lavage rêches ou certains essuie-tout.

Sur les modèles en acier inoxydable, frotter dans le sens du grain pour éviter d'endommager le fini.

La zone de contact de la porte et du cadre du four, quand la porte est fermée, doit être maintenue propre.

#### Méthode de nettoyage :

##### Saleté moyenne

- Savons et détergents doux, non abrasifs : Rincer à l'eau propre et sécher avec un chiffon doux sans charpie.

##### Saleté intense

- Savons et détergents doux, non abrasifs : Faire chauffer une tasse (250 ml) d'eau pendant 2 à 5 minutes dans le four. La vapeur amollira la saleté. Rincer à l'eau propre et sécher avec un chiffon doux sans charpie.

##### Odeurs

- Jus de citron ou vinaigre :
- Faire chauffer une tasse (250 ml) d'eau avec 1 c. à soupe (15 ml) de jus de citron ou de vinaigre pendant 2 à 5 minutes dans le four.

### GRILLES DU FOUR

- Tampon en laine d'acier
- Lave-vaisselle
- Pour les grilles ternies qui glissent difficilement, enduire légèrement les glissières d'huile végétale; cela facilitera leur glissement.

### PLAFOND DU FOUR À MICRO-ONDES

L'élément de cuisson au gril ne nécessite pas un nettoyage sachant que la chaleur intense brûle toute projection de nourriture. Cependant, la paroi supérieure au-dessus de l'élément de cuisson au gril nécessite un nettoyage régulier.

#### Méthode de nettoyage :

- Eau tiède, détergent doux et éponge.

## Nettoyage :

1. Pousser doucement le cordon de fixation vers l'arrière de la paroi supérieure puis l'abaisser pour dégager l'élément de cuisson au grill.



2. Abaisser l'avant de l'élément de cuisson au grill pour accéder à la paroi supérieure et nettoyer.

3. Soulever à nouveau l'élément de cuisson au grill puis réinstaller le cordon de fixation à son emplacement d'origine.



Toujours remettre l'élément de cuisson au grill en position pour la cuisson après le nettoyage.

## Programme d'autonettoyage

### **AVERTISSEMENT**



#### **Risque de brûlures**

**Ne pas toucher le four au cours du programme d'autonettoyage.**

**Garder les enfants loin du four au cours du programme d'autonettoyage.**

**Le non-respect de ces instructions peut causer des brûlures.**

**IMPORTANT :** La santé de certains oiseaux est très sensible aux émanations qui surviennent durant le programme d'autonettoyage. L'exposition aux émanations peut entraîner la mort de certains oiseaux. Toujours déplacer les oiseaux dans une autre pièce fermée et bien aérée.

Procéder à l'autonettoyage du four avant qu'il ne devienne très sale. Les saletés intenses nécessitent un nettoyage plus long et dégagent plus de fumée.

Veiller à ce que la cuisine soit bien aérée pendant le programme d'autonettoyage afin d'aider à éliminer la chaleur, les odeurs et la fumée.

Ne pas obstruer le ou les événements du four durant le programme d'autonettoyage. L'air doit pouvoir circuler librement. Voir la section « Événements du four » du Guide de démarrage rapide.

Ne pas nettoyer, frotter, endommager ou déplacer le joint d'étanchéité de la porte du four. Le joint de la porte est essentiel pour une bonne étanchéité.

## Préparation du four

- Sortir du four la lèchefrite, les grilles et les ustensiles de cuisson au four et, sur certains modèles, la sonde thermométrique.
- Sortir les grilles du four pour les garder brillantes et pour qu'elles glissent facilement. Voir la section « Nettoyage général » pour plus de renseignements.
- Enlever tout papier d'aluminium du four; celui-ci risquerait de brûler ou de fondre et d'endommager le four.
- Nettoyer manuellement l'intérieur de la porte et une zone de 1 1/2 po (3,8 cm) sur le pourtour du cadre de la cavité du four, en prenant soin de ne pas déplacer ni plier le joint d'étanchéité. Cette section ne devient pas assez chaude au cours du programme d'autonettoyage pour éliminer la saleté. Ne pas laisser d'eau, de nettoyant, etc. pénétrer dans les fentes du cadre de la porte. Nettoyer avec un chiffon humide.
- Essuyer toute saleté décollée afin de réduire la fumée et d'éviter les dommages. À des températures élevées, les aliments réagissent avec la porcelaine. Cette réaction peut causer des taches, des attaques, des piqûres ou de légères taches blanches. Ceci est normal et n'affecte pas la performance de cuisson.

## Comment fonctionne le programme

### IMPORTANT :

Le chauffage et le refroidissement de la porcelaine sur l'acier dans le four peuvent causer une décoloration, une perte de lustre, des fissures minuscules et des craquements.

Le programme d'autonettoyage utilise des températures très élevées, brûlant les saletés pour les réduire en cendre.

Les durées de nettoyage suggérées sont de 3 h pour les saletés légères, 4 h pour les saletés moyennes, et 5 h pour les saletés moyennes à intenses (incluant 30 minutes de refroidissement).

Lorsque le four a complètement refroidi, retirer la cendre avec un chiffon humide. Afin d'éviter de briser le verre, ne pas appliquer de chiffon humide et froid sur la partie interne du hublot de la porte avant qu'il n'ait complètement refroidi.

Les lampes du four ne fonctionnent pas durant le programme d'autonettoyage.

Sur les modèles à double four, seul un four à la fois peut effectuer un autonettoyage. Lorsqu'un four effectue un programme d'autonettoyage, l'autre four ne peut pas être réglé ni allumé.

**REMARQUE :** Le four possède un moteur de ventilateur de refroidissement à deux vitesses. Pendant le programme d'autonettoyage, les ventilateurs fonctionneront à la vitesse la plus élevée pour augmenter le flux d'air et faciliter l'évacuation de l'air chaud par les événements du four. Une augmentation du bruit peut être constatée pendant et après le programme d'autonettoyage jusqu'au refroidissement du four.

## Démarrage l'autonettoyage

Avant l'autonettoyage, s'assurer que la porte est complètement fermée sinon elle ne se verrouillera pas et le programme ne commencera pas. Lorsque le four est verrouillé, les portes du four ne peuvent être ouvertes. Pour éviter d'endommager les portes, ne pas les forcer ouvertes lorsqu'elles sont verrouillées.

1. Appuyer sur la touche Tools (outils).
2. Sélectionner l'icône SelfClean (autonettoyage).  
(Sur les modèles à four double) : Sélectionner la cavité supérieure ou la cavité inférieure.

3. Sélectionner le type d'autonettoyage :

**Vapeur** : 1 heure : Nettoyer après de légers déversements quotidiens à l'aide de la chaleur inférieure et de 1 1/4 tasse d'eau (295,74 mL).

**Température élevée** : 4 heures : Programme de 3 heures + 1 heure de refroidissement.

**Température élevée** : 5 heures : Programme de 4 heures + 1 heure de refroidissement.

**Température élevée** : 6 heures : Programme de 5 heures + 1 heure de refroidissement.

4. Suivre les directives à l'écran pour préparer le four.  
5. Sélectionner START (mise en marche) pour commencer le processus de nettoyage.

### OU

Sélectionner DELAY START (mise en marche différée) pour commencer le programme d'autonettoyage à un autre moment. Voir la section « Mise en marche différée du programme d'autonettoyage ».

Les portes du four se verrouillent automatiquement.

**REMARQUE** : La porte peut ne pas se verrouiller immédiatement après la mise en marche du programme d'autonettoyage.

Lorsque le programme d'autonettoyage est terminé et que le four est froid, les portes du four se déverrouillent.

6. Lorsque le four a complètement refroidi, retirer la cendre avec un chiffon humide.

### Pour différer l'autonettoyage

Suivre les étapes 1 à 4 présentées ci-dessus, puis :

1. Sélectionner DELAY START (mise en marche différée) ou DELAY (différer).
2. Sélectionner l'heure de départ du programme d'autonettoyage en naviguant de gauche à droite.
3. Sélectionner START DELAY (démarrer la mise en marche différée).

Les portes du four vont se verrouiller automatiquement après le début du compte à rebours.

Lorsque le programme d'autonettoyage est terminé et que le four est froid, les portes du four se déverrouillent.

4. Lorsque le four a complètement refroidi, retirer la cendre avec un chiffon humide.

### Pour arrêter le programme d'autonettoyage à tout moment

Appuyer sur la touche Cancel (annuler) du clavier four pour les modèles à four simple ou des claviers pour les modèles de four double. Si la température du four est trop élevée, la porte reste verrouillée. Elle ne se déverrouille pas tant que le four n'a pas refroidi.

## Steam Clean (nettoyage à la vapeur) (sur certains modèles)

La fonction de nettoyage à la vapeur est conçue pour un nettoyage léger de la cavité inférieure sur les modèles équipés d'un élément de cuisson dissimulé dans le four.

Ne pas utiliser de nettoyeurs à four.

Laisser le four refroidir et atteindre la température ambiante avant d'utiliser le programme de nettoyage à la vapeur. Si la température de la cavité du four est supérieure à 200 °F (93 °C), la fonction de nettoyage à la vapeur ne s'active pas. Elle attendra que la température soit moins élevée.

Retirer les grilles et accessoires de la cavité du four.

Pour de meilleurs résultats, utiliser 10 oz (295,7 mL) d'eau distillée ou filtrée.

La fonction de nettoyage à la vapeur fonctionne pendant environ 1 heure. Un signal sonore sera émis à la fin du programme.

**IMPORTANT** : Puisque l'eau dans le fond du four est chaude, ne pas ouvrir la porte du four pendant le cycle de nettoyage à la vapeur.

Toucher Oven Cancel (annulation de la fonction d'alimentation du four) ou Upper/Lower (supérieur/inférieur) sur les modèles à four double pour mettre fin au cycle en tout temps. L'affichage de l'heure est rétabli.

### Conseils utiles

- Une fois le programme de nettoyage à la vapeur terminé et le four complètement refroidi, essuyer l'eau restante dans le fond du four à l'aide d'une éponge ou d'un linge.
- Essuyer toute humidité présente dans l'intérieur du four, les parois latérales internes de la cavité du four et la table de cuisson.
- Utiliser une brosse à poils doux ou un ustensile de récurage en nylon pour essuyer l'intérieur du four. Ceci pourra être utile pour les taches les plus tenaces.
- Il est recommandé d'utiliser une eau distillée ou filtrée, car l'eau du robinet peut laisser des dépôts minéraux sur le fond du four. Utiliser un linge imbibé de vinaigre ou de jus de citron pour retirer tout dépôt de minéraux qui peut être présent après le programme de nettoyage à la vapeur.
- Si le four est très sale, utiliser le programme d'autonettoyage. Le programme de nettoyage à la vapeur peut être utilisé pour éliminer la majorité des débris, ce qui rendra le programme d'autonettoyage plus efficace.

### Nettoyage à la vapeur :

1. Ouvrir la porte du four sélectionné et retirer les grilles et accessoires de la cavité.
2. Verser 10 oz (295,7 mL) d'eau distillée ou filtrée dans le fond du four. Fermer ensuite la porte du four.
3. Appuyer sur la touche Tools (outils).  
Sur les modèles à four double : Sélectionner la cavité supérieure ou la cavité inférieure.
4. Sélectionner STEAM CLEAN (nettoyage à la vapeur).
5. Sélectionner START (mise en marche).
6. Après environ 1 heure, une tonalité résonnera pour signaler que le programme est terminé. Toucher Oven Cancel (annulation de la fonction d'alimentation du four) ou Upper/Lower (supérieur/inférieur) sur les modèles à four double pour effacer l'écran.
7. Lorsque le four a complètement refroidi, éponger l'excédant d'eau à l'aide d'une éponge ou d'un linge, puis essuyer l'intérieur du four. Au besoin, utiliser un tampon à récurer en cuivre non abrasif pour retirer les souillures tenaces.

# INSTRUCTIONS D'INSTALLATION

## SPÉCIFICATIONS

### Outils et pièces

Rassembler les outils et pièces nécessaires avant d'entreprendre l'installation. Lire et observer les instructions fournies avec chacun des outils de la liste ci-dessous

#### Outils nécessaires

- Tournevis à tête cruciforme
- Ruban à mesurer
- Perceuse manuelle ou électrique (pour installation dans une armoire)
- Foret de 1 po (2,5 cm) (pour installation dans une armoire)
- Niveau
- Tournevis à tête plate

#### Pièces fournies

- Vis no 8-18 x 3/4 po (1,9 cm) (2)
- Vis no 8-18 x 3/8 po (9,5 mm) – évent inférieur (2)
- Vis no 8-18 x 3/8 po (9,5 mm) – protecteur d'évent inférieur (2)
- Évent inférieur et protecteur

Consulter les codes locaux. Vérifier l'alimentation électrique existante. Voir la section « Spécifications électriques ».

Il est recommandé de faire réaliser tous les raccordements électriques par un électricien qualifié

**REMARQUE :** S'assurer d'acheter uniquement des pièces et des accessoires JennAir certifiés par le fabricant de l'appareil. Il se peut que l'installation nécessite des pièces supplémentaires. Pour commander, consulter les coordonnées indiquées dans le guide de démarrage rapide.

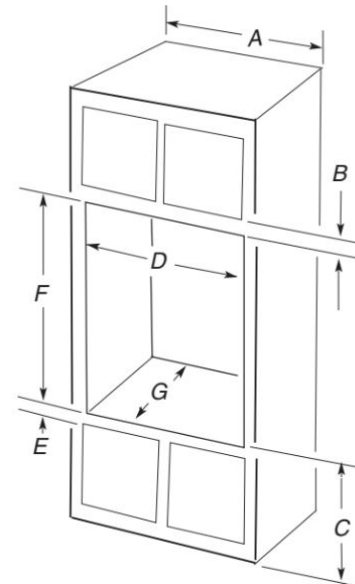
### Exigences d'emplacement

**IMPORTANT :** Observer les dispositions de tous les codes et règlements en vigueur.

- Respecter les dimensions indiquées pour les ouvertures à découper dans les armoires. Ces dimensions tiennent compte des dégagements de séparation nécessaires pour le four.
- L'espace d'installation dans un encastrement doit permettre la formation d'une enceinte complète autour de la partie encastrée du four.
- Une source d'électricité avec liaison à la terre est nécessaire. Voir la section « Spécifications électriques ».
- Le boîtier de connexion doit être situé 3 po (7,6 cm) maximum au-dessous de la surface d'appui lorsque le four est installé dans une armoire murale. Un trou d'un diamètre minimum de 1 po (2,5 cm) doit avoir été percé dans l'angle arrière gauche ou arrière droit de la surface de support pour le passage du câble d'alimentation de l'appareil jusqu'au boîtier de connexion.
- La surface de support du four doit être robuste, horizontale et en affleurement avec le bas de l'ouverture découpée dans l'armoire. Le plancher doit être capable de supporter un poids total (four à micro-ondes et four encastré) de 208 lb (95 kg) pour les modèles de 27 po (68,6 cm) ou 249 lb (113 kg) pour les modèles de 30 po (76,2 cm).

**IMPORTANT :** Pour éviter d'endommager les armoires, consulter le constructeur de la maison ou le fabricant des armoires pour déterminer si les matériaux utilisés peuvent subir un changement de couleur, une déstratification ou d'autres dommages. Ce four a été conçu conformément aux exigences des normes UL et CSA International et respecte les températures maximales permises de 194 °F (90 °C) pour les armoires en bois.

### Dimensions de l'armoire – Ensemble four électrique/four à micro-ondes encastré Installation standard



#### Modèles de 27 po (68,6 cm)

- A. 27 po (68,6 cm) de largeur minimum pour l'armoire
- B. Du sommet de la découpe au bas de la porte de l'armoire supérieure : 2 1/4 po (5,7 cm)
- C. 19 1/4 po (48,9 cm) du fond de l'encastrement au plancher (recommandé).  
7 po à 19 1/4 po (17,8 cm à 48,9 cm) du fond de la découpe au plancher (accessible).
- D. 25 1/2 po (64,8 cm) minimum de largeur pour l'ouverture découpée
- E. 1 1/2 po (3,8 cm) minimum entre le bas de l'encastrement et le haut de la porte de l'armoire supérieure
- F. Hauteur recommandée de la découpe : 41 5/16 po (105 cm)\*
- G. 24 po (60,7 cm) de profondeur de découpe

#### Modèles de 30 po (76,2 cm)

- A. 30 po (76,2 cm) de largeur minimum pour l'armoire
- B. Du sommet de la découpe au bas de la porte de l'armoire supérieure : 2 1/4 po (5,7 cm)
- C. 19 1/4 po (48,9 cm) du fond de l'encastrement au plancher (recommandé).  
7 po à 19 1/4 po (17,8 cm à 48,9 cm) du fond de la découpe au plancher (accessible).
- D. 28 1/2 po (72,4 cm) de largeur minimum pour l'ouverture découpée
- E. 1 1/2 po (3,8 cm) minimum entre le bas de l'encastrement et le haut de la porte de l'armoire supérieure
- F. Hauteur recommandée de la découpe : 41 5/16 po (105 cm)\*
- G. 24 po (60,7 cm) de profondeur de découpe

**\*REMARQUE :** Pour les combinaisons four à micro-ondes/four, la hauteur de la découpe peut être comprise entre 41 1/8 po (104,5 cm) et 41 1/2 po (105,6 cm).

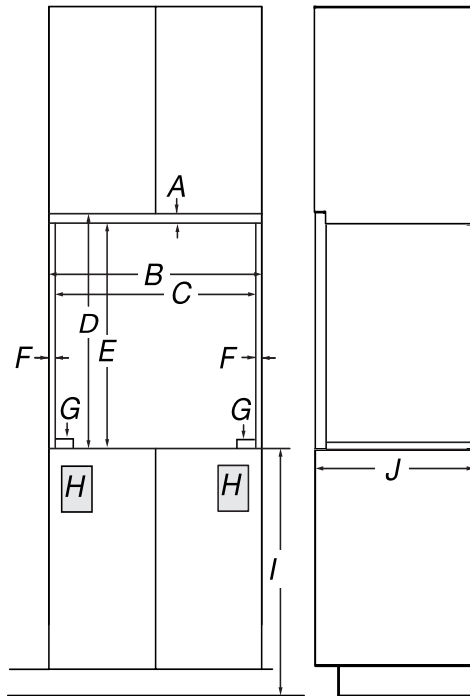
### Installation en affleurement

Une découpe de 25 po (63,5 cm) minimum est requise.

Ces dimensions donneront un dégagement de 1/4 po (6 mm) au sommet, un dégagement de 1/4 po (6 mm) sur les côtés et un dégagement de 1/8 po (3 mm) au bas du four mural.



Le côté avant des tasseaux et de la plate-forme sera visible et doit être traité comme une surface de finition.



Vue de face

Vue latérale

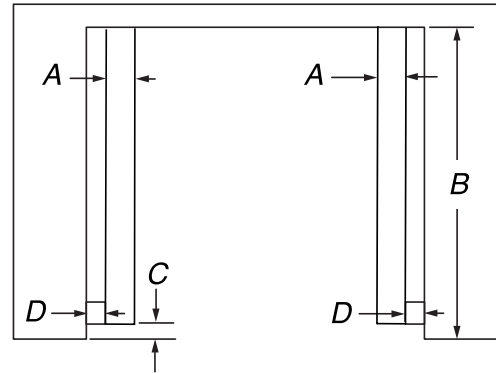
**Modèles de 27 po (68,6 cm)**

- A. Tasseau supérieur de 5/8 po (1,6 cm)\*
- B. 27 1/4 po (69,2 cm) de largeur minimum d'ouverture intégrée en affleurement
- C. 25 7/8 po (65,7 cm) de largeur minimum pour l'ouverture
- D. 43 1/2 po (110 cm) de hauteur minimum pour l'ouverture intégrée en affleurement
- E. Hauteur recommandée de la découpe : 42 1/2 po (107,9 cm)
- F. Tasseau latéral de 11/16 po (1,7 cm)\*
- G. 1/2 po x 2 po (1,3 cm x 5,1 cm) pour la cale d'espacement sur la profondeur totale de l'ouverture\*
- H. Emplacement recommandé pour la boîte de jonction
- I. 4 5/8 po à 19 1/4 po (11,7 cm à 48,9 cm) du fond de la découpe au plancher
- J. 25 po (63,5 cm) de profondeur minimum pour l'ouverture

**Modèles de 30 po (76,2 cm)**

- A. Tasseau supérieur de 5/8 po (1,6 cm)\*
- B. 30 1/4 po (76,8 cm) de largeur minimum d'ouverture intégrée en affleurement
- C. 28 7/8 po (73,3 cm) de largeur minimum pour l'ouverture
- D. 43 1/8 po (110 cm) de hauteur minimum pour l'ouverture intégrée en affleurement
- E. Hauteur recommandée de la découpe : 42 1/2 po (107,9 cm)
- F. Tasseau latéral de 11/16 po (1,7 cm)\*
- G. 1/2 po x 2 po (1,3 cm x 5,1 cm) pour la cale d'espacement sur la profondeur totale de l'ouverture\*
- H. Emplacement recommandé pour la boîte de jonction
- I. 4 5/8 po à 19 1/4 po (11,7 cm à 48,9 cm) du fond de la découpe au plancher
- J. 25 po (63,5 cm) de profondeur minimum pour l'ouverture

\* Les tasseaux et les cales d'espacement doivent être encastrés à 1 3/8 po (3,5 cm) depuis l'avant du placard.



Vue de dessus

**Modèles de 27 po (68,6 cm)**

- A. 1/2 po x 2 po (1,3 cm x 5,1 cm) pour la cale d'espacement sur la profondeur totale de l'ouverture\*
- B. 25 po (63,5 cm) de profondeur pour l'ouverture
- C. 1 1/2 po (3,5 cm) pour l'encastrement à partir de l'avant de l'armoire
- D. Tasseau latéral de 11/16 po (1,7 cm)\*

**Modèles de 30 po (76,2 cm)**

- A. 1/2 po x 2 po (1,3 cm x 5,1 cm) pour la cale d'espacement sur la profondeur totale de l'ouverture\*
- B. 25 po (63,5 cm) de profondeur pour l'ouverture
- C. 1 1/2 po (3,5 cm) pour l'encastrement à partir de l'avant de l'armoire
- D. Tasseau latéral de 11/16 po (1,7 cm)\*

\* Les tasseaux et les cales d'espacement doivent être encastrés à 1 3/8 po (3,5 cm) depuis l'avant du placard.

## Spécifications électriques

Si on utilise un conducteur distinct de liaison à la terre et lorsque les codes le permettent, il est recommandé qu'un électricien qualifié vérifie que la liaison à la terre et le calibre des fils sont conformes aux codes locaux.

En cas de doute quant à la qualité de la liaison à la terre du four, consulter un électricien qualifié.

Ce four doit être raccordé à un système permanent, métallique de câblage relié à la terre.

S'assurer que la connexion électrique et le calibre des fils sont appropriés et conformes au National Electrical Code, aux normes ANSI/NFPA 70 – dernière édition, ou aux normes CSA C22.1-94, au Code canadien de l'électricité, Partie 1 et C22.2 N° O-M91 – dernière édition, et à tous les codes et règlements locaux.

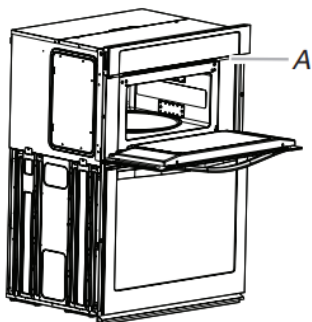
Pour obtenir un exemplaire des normes des codes ci-dessus, contacter :

National Fire Protection Association  
 1 Batterymarch Park  
 Quincy, MA 02169-7471  
 CSA International  
 8501 East Pleasant Valley Road  
 Cleveland, OH 44131-5575

## Raccordement électrique

Pour installer le four de façon appropriée, il faut établir le type de raccords électriques que l'on utilisera et suivre les instructions de ce document.

- Le four doit être alimenté par une source d'électricité appropriée (caractéristiques de tension, ampérage et fréquence spécifiées sur la plaque signalétique). Voir l'illustration suivante.



A. Plaque signalétique du numéro de modèle et de série

- Les modèles à 240 V de 7,3 à 9,6 kW (208 V de 6,3 à 8,3 kW) doivent être alimentés par un circuit indépendant de 40 A. Les modèles à 240 V de 4,9 à 7,2 kW (208 V de 4,3 à 6,2 kW) doivent être alimentés par un circuit indépendant de 30 A. Un modèle à 240 V de 4,8 kW ou moins (208 V de 4,2 kW ou moins) doit être alimenté par un circuit indépendant de 20 A.
- L'emploi d'un disjoncteur est recommandé.
- Raccorder l'appareil directement au tableau de distribution par un câble à conducteur de cuivre et gaine métallique flexible ou gaine non métallique (avec conducteur de liaison à la terre). Voir la section « Raccordement électrique ».
- Le câble flexible du four doit être connecté directement dans le boîtier de connexion.
- Ne pas couper le conduit. La longueur du conduit fourni est destinée à faciliter l'entretien/le dépannage éventuel du four.
- L'installateur doit fournir un connecteur de conduit (homologation UL ou CSA).
- Si le domicile possède un câblage en aluminium, suivre la procédure ci-dessous :  
Connecter le câblage en aluminium en utilisant des capuchons ou des outils spécialement conçus et homologués UL pour raccorder le cuivre à l'aluminium.  
Suivre la procédure recommandée par le fabricant de connecteurs électriques. Les raccordements aluminium/cuivre doivent satisfaire aux prescriptions des codes locaux et de l'industrie, et être conformes aux pratiques de câblage reconnues.  
S'assurer que la connexion électrique et le calibre des fils sont appropriés et conformes au National Electrical Code, aux normes ANSI/NFPA 70 – dernière édition, ou aux normes CSA C22.1-94, au Code canadien de l'électricité, Partie 1 et C22.2 N° O-M91 – dernière édition, et à tous les codes et règlements locaux. Pour obtenir un exemplaire des normes des codes ci-dessus, contacter : National Fire Protection Association 1 Batterymarch Park Quincy, MA 02169-7471 CSA International 8501 East Pleasant Valley Road Cleveland, OH 44131-5575.

## INSTALLATION

### Préparer le four encastré

1. Choisir l'emplacement final pour l'installation du four. Éviter de percer ou de sectionner le câblage du domicile pendant l'installation.

## ⚠ AVERTISSEMENT

### Risque de poids excessif

Utiliser deux personnes ou plus pour déplacer et installer l'appareil.

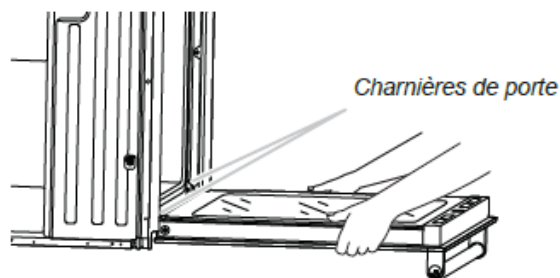
Le non-respect de cette instruction peut causer une blessure au dos ou d'autres blessures.

2. Pour éviter d'endommager le plancher, placer le four sur une feuille de carton avant l'installation. Pour soulever l'appareil, ne pas prendre prise sur la poignée ou sur une autre partie de l'avant du châssis.
3. Ne pas oublier de retirer l'évent inférieur de l'emballage en mousse du dessus du four.
4. Enlever les matériaux d'emballage et les rubans adhésifs du four. S'assurer de bien conserver les cornières de protection et autres matériaux pouvant être requis pour l'installation.
5. Enlever le matériel à l'intérieur du sachet de documentation.
6. Retirer et mettre de côté les grilles et autres pièces qui se trouvent à l'intérieur du four.
7. Approcher le four et la feuille de carton de l'emplacement final du four.

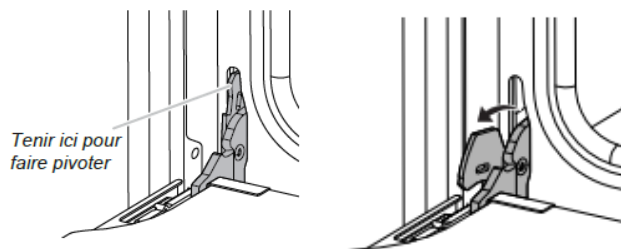
### Enlever la/les porte(s) du four

**IMPORTANT :** Retirer la porte du four avec les 2 mains. Pour les fours doubles, répéter le procédé pour chaque porte.

1. Avant de retirer la porte du four, préparer une surface sur laquelle la poser. Cette surface doit être plate et recouverte d'une couverture douce. On peut aussi utiliser les cornières de l'emballage.
2. Ouvrir complètement la porte du four.



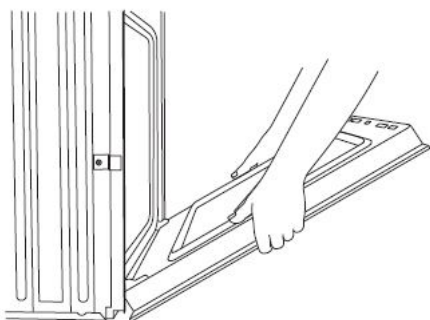
3. Trouver les loquets de charnière de la porte du four dans les deux angles de la porte; faire pivoter les loquets de charnière vers la porte du four jusqu'à la position de déverrouillage. Si le loquet de charnière de porte n'est pas complètement tourné (voir l'illustration B), la porte ne se retirera pas correctement.



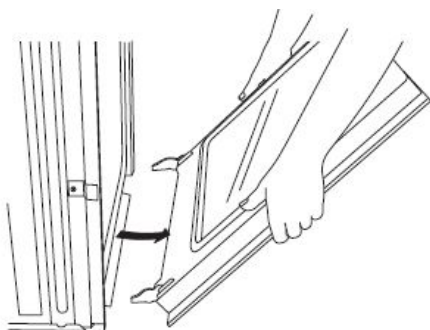
A. Loquet de charnière de la porte du four en position de verrouillage

B. Loquet de charnière de la porte du four en position de déverrouillage

4. Commencer à fermer doucement la porte. La porte s'arrêtera en position partiellement fermée.



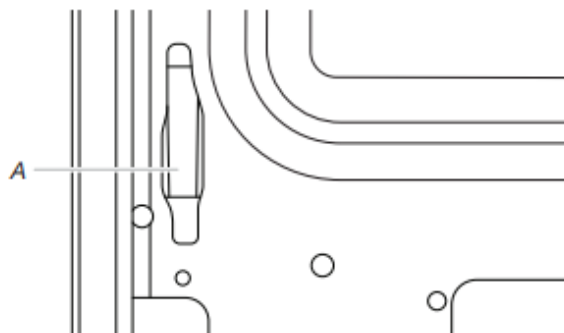
5. Saisir les bords de la porte du four avec les 2 mains. Fermer la porte du four légèrement dépassé la position d'arrêt pour réduire la charge supportée par les loquets, puis tirer la porte de four vers le haut.



6. Tirer la porte du four vers soi et enlever la porte. Si nécessaire, basculer doucement la porte d'un côté et de l'autre en la tirant.
7. Garder la porte du four à part sur la surface de travail couverte en la faisant reposer sur sa poignée.
8. Pour continuer l'installation du four, aller à la section « Positionnement des pieds du four pour des ouvertures d'encastrement dans l'armoire ».

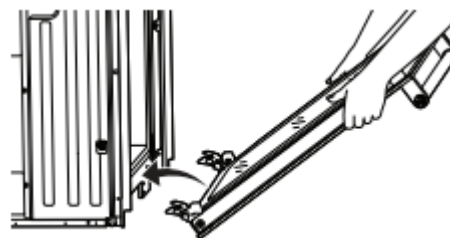
## Réinstallation de la/des porte(s) du four

1. Saisir les bords latéraux de la porte par le milieu avec les deux mains. Se placer face à la cavité du four.
2. Repérer les encoches situées de chaque côté de la cavité du four pour les loquets de charnière de la porte.

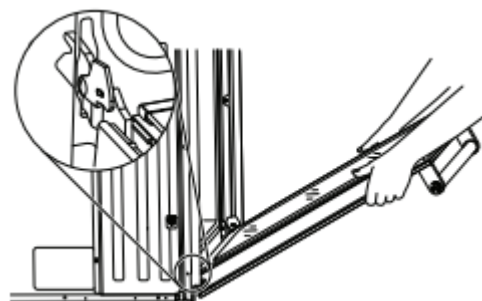


A. Encoche située dans la cavité du four pour le loquet de charnière de la porte

3. Saisir les bords de la porte du four avec les 2 mains. Avec un angle de 45°, insérer les charnières en même temps et pousser la porte du four dans les fentes de la cavité du four pour la réinstaller. Si nécessaire, basculer doucement la porte d'un côté et de l'autre en la poussant.



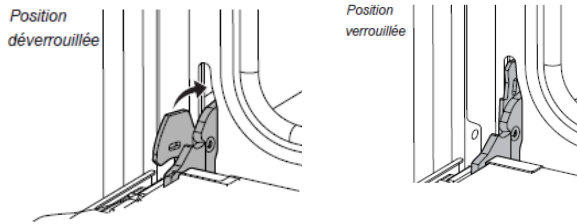
4. S'assurer que les encoches de charnière de la porte sont engagées au fond des fentes de la cavité du four.



**IMPORTANT :** Ne pas fermer la porte à cette étape pour ne pas endommager la charnière de la porte.

5. Abaisser la porte du four jusqu'à ce qu'elle soit complètement ouverte. Si la porte du four ne s'ouvre pas complètement à un angle de 90°, répéter les étapes 1 à 3.

- Identifier les loquets de charnière de la porte du four dans les angles de la porte; faire pivoter les loquets de charnière vers la cavité du four jusqu'à la position de verrouillage.



- Après que les charnières de la porte ont été verrouillées, fermer doucement la porte. La fermeture de la porte ne doit pas être forcée.
- Une fois les charnières correctement installées et la porte fermée, l'espace entre la porte et le tableau de commande doit être égal. Si l'un des côtés de la porte du four est plus bas que l'autre, la charnière de ce côté-ci n'est pas correctement installée.

## Raccordement électrique

**IMPORTANT :** Pour une installation en affleurement, avant d'effectuer le raccordement électrique, les pieds du four doivent être installés pour permettre à l'ensemble four à micro-ondes/four d'être installé dans la hauteur de découpe recommandée de 42 1/2 po (107,9 cm).

Veuillez communiquer avec le service pour obtenir des pieds qui vous seront livrés gratuitement.

### **⚠ AVERTISSEMENT**



#### Risque de décharge électrique

**Déconnecter la source de courant électrique avant l'entretien.**

**Utiliser du fil de cuivre de calibre 8.**

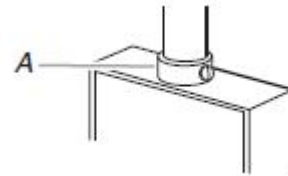
**Relier le four à la terre.**

**Le non-respect de ces instructions peut causer un décès, un incendie ou une décharge électrique.**

Le câblage d'alimentation de ce four comporte un conducteur neutre (blanc) et un conducteur vert (ou nu) de liaison à la terre connecté à la caisse; ces deux conducteurs sont torsadés.

- Débrancher l'alimentation.
- Placer le conduit de câble flexible depuis le four jusqu'à l'espace d'installation dans l'armoire.
- Le cas échéant, enlever le couvercle du boîtier de connexion.

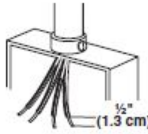

- Installer un connecteur de conduit (homologation UL ou CSA) sur le boîtier de connexion.



A. Connecteur de conduit (homologation UL ou CSA)

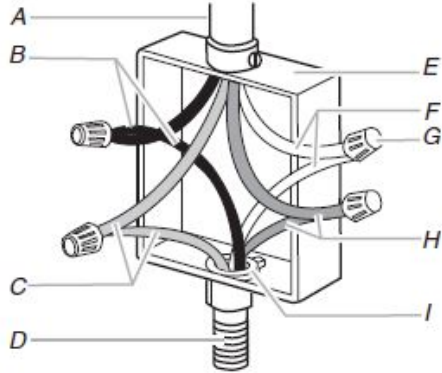
- Acheminer le conduit de câble flexible depuis le four jusqu'au boîtier de connexion – utiliser un connecteur de conduit (homologation UL ou CSA).
- Serrer les vis sur le connecteur de conduit.
- Voir le « Tableau des options de raccordement électrique » pour terminer l'installation correspondant à votre type de raccordement électrique.

### Tableau des options de raccordement électrique

Si le domicile comporte :	Voir la section :
4 conducteurs	Câble à 4 conducteurs depuis l'alimentation électrique du domicile
	
3 conducteurs	Câble à 3 conducteurs depuis l'alimentation électrique du domicile
	

## Câble à 4 conducteurs depuis l'alimentation électrique du domicile

**IMPORTANT :** utiliser le câble à 4 conducteurs provenant de l'alimentation électrique du domicile aux États-Unis lorsque les codes ne permettent pas la mise à la terre par l'intermédiaire du conducteur neutre, en cas de nouvelle installation avec alimentation par un circuit secondaire (1996 NEC), dans les résidences mobiles et les véhicules récréatifs, dans une nouvelle construction et au Canada.

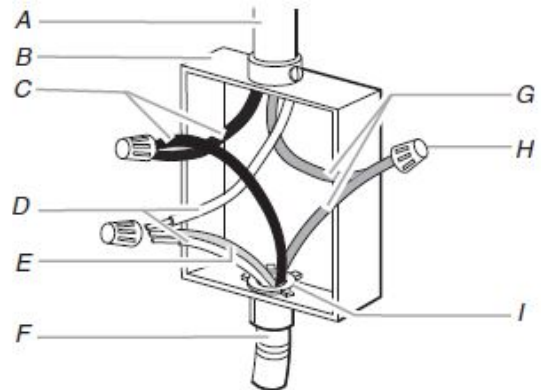


- |  |   |
|--|---|
| A. Câble depuis le point de distribution du domicile | F. Conducteur blanc                                 |
| B. Conducteur noir                                   | G. Connecteurs de fils (homologation UL)            |
| C. Conducteurs rouges                                | H. Connecteurs verts (ou nus) de liaison à la terre |
| D. Câble flexible à 4 conducteurs depuis le four     | I. Connecteur de conduit (homologation UL ou CSA)   |
| E. Boîtier de connexion                              |   |

1. Connecter ensemble les 2 conducteurs noirs (B) avec un capuchon de connexion (homologation UL).
2. Connecter ensemble les 2 connecteurs rouges (C) avec un capuchon de connexion (homologation UL).
3. Détorsader le conducteur blanc du conducteur vert (ou nu) de liaison à la terre provenant du four.
4. Connecter ensemble les 2 connecteurs blancs (F) avec un capuchon de connexion (homologation UL).
5. Connecter le conducteur vert (ou nu) de liaison à la terre (H) du câble du four au conducteur vert (ou nu) de liaison à la terre dans le boîtier de connexion – utiliser un capuchon de connexion (homologation UL).
6. Installer le couvercle du boîtier de connexion.

## Câble à 3 conducteurs depuis l'alimentation électrique du domicile – É.-U. seulement

**IMPORTANT :** Utiliser le câble à 3 conducteurs depuis l'alimentation électrique du domicile lorsque les codes locaux autorisent un tel raccordement.



- |   |   |
|---|---|
| A. Câble depuis le point de distribution du domicile              | F. Câble flexible à 4 conducteurs depuis le four  |
| B. Boîtier de connexion   | G. Conducteurs rouges                             |
| C. Conducteur noir  | H. Connecteurs de fils (homologation UL)          |
| D. Conducteur blanc   | I. Connecteur de conduit (homologation UL ou CSA) |
| E. Conducteur vert (ou nu) de liaison à la terre (depuis le four) |   |

1. Connecter ensemble les 2 conducteurs noirs (C) avec un capuchon de connexion (homologation UL).
2. Connecter les 2 conducteurs blancs (D) et le conducteur vert (ou nu) de liaison à la terre (du câble du four) avec un capuchon de connexion (homologation UL).
3. Connecter ensemble les 2 connecteurs rouges (G) avec un capuchon de connexion (homologation UL).
4. Installer le couvercle du boîtier de connexion.

## Installation du four

1. À l'aide de deux personnes ou plus, soulever partiellement le four dans l'ouverture de l'armoire. Utiliser l'ouverture du four comme zone de prise.

**REMARQUE :** Pousser le four pour l'introduire dans l'armoire en poussant contre la zone du joint du four sur le châssis avant. Ne pas pousser contre les bords externes.

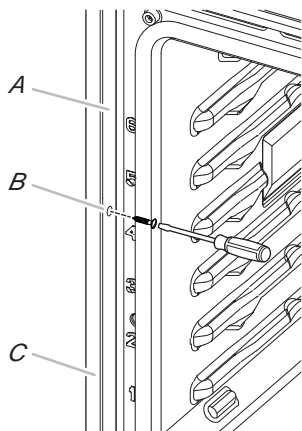


2. Pousser contre la zone du joint du châssis avant pour introduire le four dans l'armoire, jusqu'à ce que la surface arrière du châssis avant soit au contact de la paroi avant de l'armoire.



3. Pousser complètement le four dans l'armoire et centrer le four dans la cavité de l'armoire.
4. Fixer solidement le four à l'armoire à l'aide des vis n° 8-14 x 3/4 po fournies.

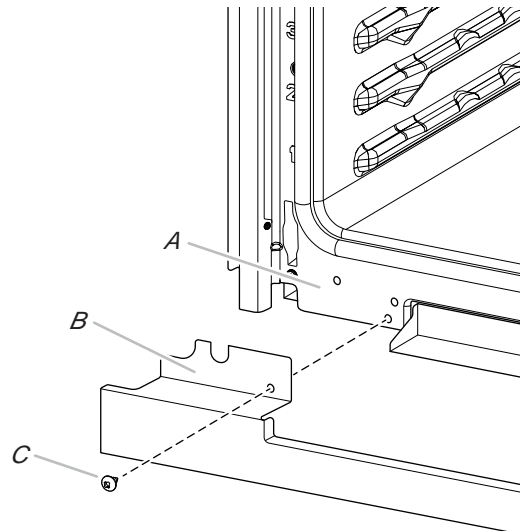
Insérer les vis dans les trous de la garniture noire en les alignant avec les trous du châssis du four. Ne pas serrer excessivement les vis.



- A. Châssis du four
- B. Trou de la garniture latérale
- C. Pièce de la garniture latérale

5. L'évent inférieur et le protecteur de l'évent inférieur sont expédiés dans l'emballage en mousse du dessus du four. Les garnitures longues de l'évent inférieur sont utilisées lorsque le four est installé avec les pieds à la position haute. Veuillez communiquer avec le service pour obtenir des pieds qui vous seront livrés gratuitement.

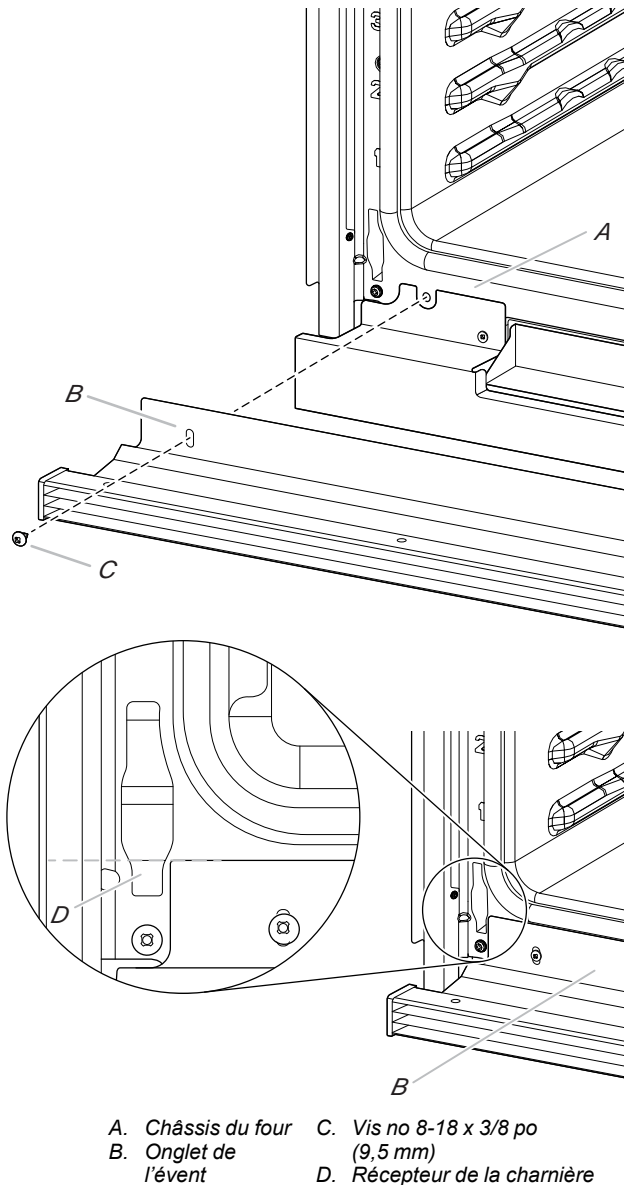
- Aligner la languette de l'évent (B) avec le châssis du four (A) comme illustré.
- Avec une vis n° 8-18 x 3/8 po (9,5 mm) (C) pour chaque côté du support de l'évent (B), fixer solidement l'évent au châssis du four (A).



- A. Châssis du four
- B. Onglet de l'évent
- C. Vis no 8-18 x 3/8 po



6. Une fois le protecteur de l'évent inférieur installé.
- Aligner la languette de l'évent inférieur (B) avec le châssis du four (A) comme illustré.
  - Avec une vis n° 8-18 x 3/8 po (9,5 mm) (C) pour chaque côté du support de l'évent (B), aligner l'onglet de l'évent du haut et du bas (B) au récepteur de la charnière (D) comme illustré.
  - Serrer l'évent inférieur de façon sécuritaire au châssis du four (A).



7. Réinstaller les grilles du four.
8. Réinstaller la porte du four. Voir la section « Réinstaller la ou les portes du four ».
9. Vérifier que la porte s'ouvre et se ferme facilement. Si ce n'est pas le cas, répéter la procédure pour enlever et reposer la porte. Voir la section « Préparer le four encastré ».
10. Répéter cette procédure pour la porte du four inférieur.
11. Rebrancher l'alimentation.
12. Le tableau d'affichage s'allume brièvement et « PF » devrait apparaître sur l'affichage.
13. Si le tableau d'affichage ne s'allume pas, se reporter à la section « Garantie ».

## Achever l'installation

1. Vérifier que toutes les pièces sont maintenant installées. S'il reste une pièce, passer en revue les différentes étapes pour découvrir laquelle aurait été oubliée.
2. Vérifier la présence de tous les outils.
3. Éliminer/recycler tous les matériaux d'emballage.
4. Pour le nettoyage du four, lire la section « Entretien et réparation du four à micro-ondes ».

### Vérifier le fonctionnement du four inférieur

1. Mettre l'appareil sous tension.
2. Avant la première utilisation, choisir la langue, régler l'horloge et toute autre préférence réglable, le cas échéant. Consulter le Guide de commande en ligne pour plus de renseignements.
3. Appuyer sur OVEN (four).
4. Sélectionner une méthode de cuisson.
5. Sélectionner BROIL (cuisson au gril).
6. Régler la température.
7. Appuyer sur START (mise en marche).

#### Si le four ne fonctionne pas, vérifier ce qui suit :

- Le fusible domestique est intact et bien visé ou le disjoncteur n'est pas ouvert.
  - La prise de courant est correctement alimentée.
  - Consulter la section Dépannage en ligne.
8. Après que le four a fonctionné pendant 5 minutes, vérifier qu'il y a émission de chaleur.
 

**REMARQUE :** Au cours des premières utilisations du four, il est normal qu'il dégage des odeurs et de la fumée. Si aucune chaleur n'est ressentie ou si un message d'erreur apparaît sur l'affichage, éteindre le four et contacter un technicien qualifié.
  9. (Sur certains modèles) Placer la grille coulissante SatinGlide™ pour four intelligent, ainsi que les accessoires dans la position de grille du bas pour s'assurer que la bonne grille accessoire se trouve au fond
  10. Pour les fours simples, appuyer sur OVEN/CANCEL OVEN (four/annuler le four).
    - Pour les fours doubles, appuyer sur UPPER/LOWER (supérieur/inférieur) pour annuler.



### **Vérifier le fonctionnement du four à micro-ondes**

1. Remplir un récipient adapté aux micro-ondes avec 1 tasse (250 mL) d'eau et placer le récipient dans le four à micro-ondes. Bien fermer la porte.
2. Appuyer sur MICROWAVE (four à micro-ondes).
3. Sélectionner une méthode de cuisson.
4. Régler le four à micro-ondes pour une durée de cuisson de 2 minutes.
5. Appuyer sur START (mise en marche). La lampe intérieure du four à micro-ondes doit s'allumer et la durée de cuisson restante doit s'afficher.  
Lorsque l'afficheur indique « 1:00 », ouvrir la porte du four à micro-ondes. La cuisson par micro-ondes devrait cesser. Bien fermer la porte. La lampe intérieure du four à micro-ondes doit s'éteindre.
6. Appuyer sur START (mise en marche). Le four à micro-ondes doit commencer la cuisson et la lampe intérieure du four à micro-ondes doit être allumée.  
Laisser le four à micro-ondes terminer la durée de cuisson. Un signal sonore retentit quatre fois à la fin de la durée de cuisson et le four à micro-ondes s'éteint.
7. Ouvrir la porte du four à micro-ondes et retirer lentement le récipient. L'eau dans le contenant doit être chaude.

### **Pour obtenir de l'assistance ou une visite de service :**

Consulter le guide de démarrage rapide pour obtenir les coordonnées ou communiquer avec le marchand chez qui le four avec four à micro-ondes a été acheté.