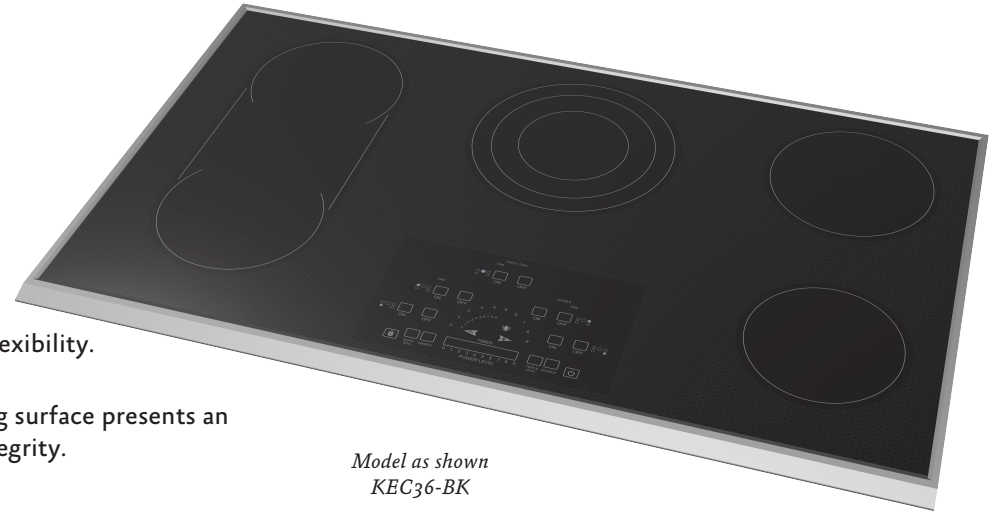


STANDARD FEATURES



RADIANT COOKTOPS

- High performance radiant heating elements provide reliable and even heat distribution for maximum consistency and cooking results.
- Spectrum Power Display™ provides intuitive and precise control of all cooktop elements.



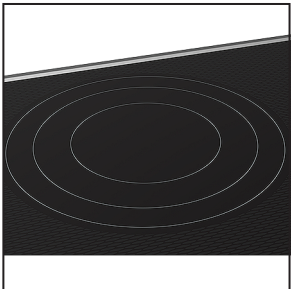
Model as shown
KEC36-BK

- Premium Trinal™ burner ensures optimum cooking flexibility.
- Industry exclusive Marquise™ accented glass cooking surface presents an authentic visual connection to the Hestan design integrity.
- Versatile bridge element (36" model) transforms conveniently to a larger cooking surface.
- Low Power setting for delicate cooking and simmering.
- Locking controls provide additional safety and peace of mind.
- Automatic Quick-Boil heating function allows for elements to heat up more quickly to the desired heat setting.
- Power and hot surface indicators.
- Timer function and display.
- 30" black radiant cooktop has 4 cooking zones, one zone with the Trinal™ burner.
- 36" black radiant cooktop has 5 cooking zones, one zone with the Trinal™ burner and a bridge zone.
- Audible alerts and feedback provide certainty of control interface.
- Elegantly styled professional stainless steel frame adds beauty and protection.

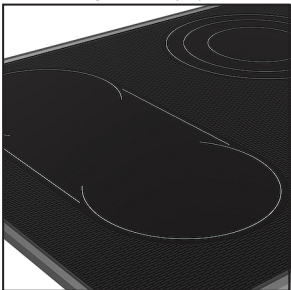
Spectrum Power Display™



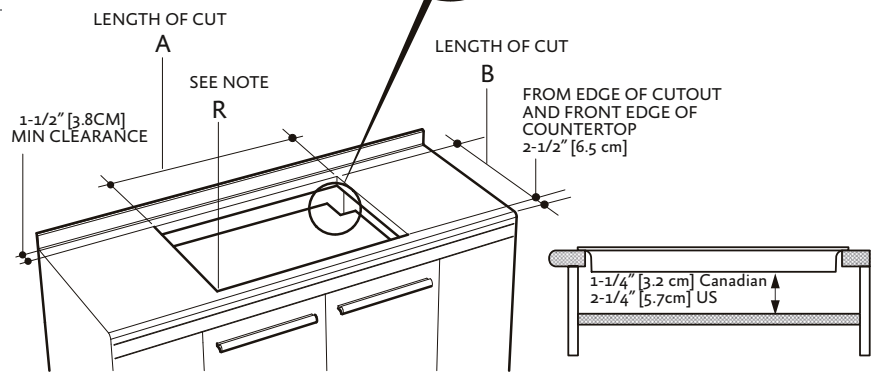
Trinal™ Burner



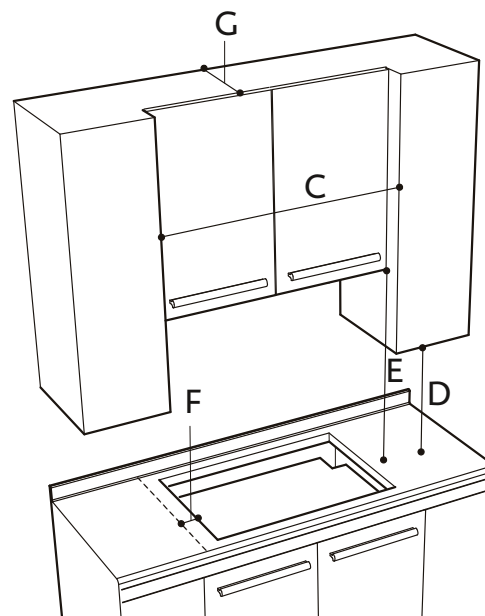
Bridge Element (36")



CUTOUT DIMENSIONS

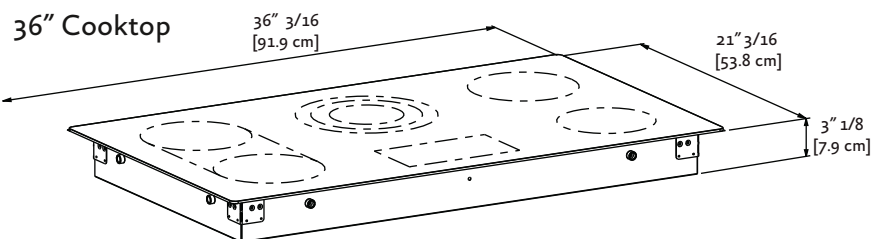
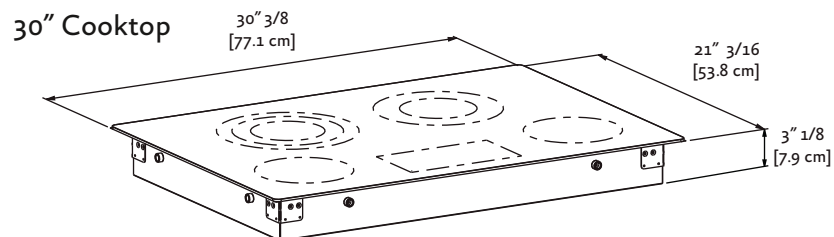


CUTOUT REQUIREMENTS



WALL COVERING CABINETS, AND COUNTERTOP MUST WITHSTAND HEAT UP TO 200°F [93°C]

This cooktop has been designed with wide tolerances of cut-out for when another brand is being replaced with a Hestan unit. For new installations, we recommend holding to the minimum cutout dimensions.



Dim .	Inches	cm
• 30"	28-15/16" x 19-9/16"	73.5 x 49.7
• 36"	34-5/16" x 19-9/16"	87.2 x 49.7

Cutout dimensions and requirements

CUTOUT WIDTH	A	B	C	D	E	F	G
30" [76.2cm]	28-11/16" [72.9 cm] 28 15/16" [73.5 cm]	19-1/4" [49.0 cm] 19-5/8" [49.8 cm]	30" [76.2 cm] min	18" [45.7 cm] min Height from countertop to nearest cabinet on either side of unit	30" [76.2 cm] min. [see note*] Clearance from countertop to unprotected overhead surface	2" [5 cm] min Clearance from cutout to side wall on the left and right of the unit	13" [33 cm] Depth of unprotected overhead cabinets
36" [91.4 cm]	34-1/16" [86.5 cm] 34-5/16" [87.2 cm]	19-1/4" [49.0 cm] 19-5/8" [49.8 cm]	36" [91.4 cm] min				

IMPORTANT
Under the cooktop it is necessary to install a partition as shown ****

*** NOTE**
24" [61 cm] min. clearance if bottom of wood or metal cabinets is protected by not less than 1/4" [0.6 cm] flame retardant millboard covered with no less than No. 28 MSG sheet steel 0.015" [0.04 cm] stainless steel, or 0.024" [0.06 cm] aluminum or 0.020" [0.05 cm] copper.
30" [76.2 cm] min. clearance between top of cooking platform and bottom of unprotected wood or metal cabinet

Built - In Models	Description	Circuit Breaker Required	Approx SHP WT (lbs)
KEC30-BK	30" Radiant Electric Cooktop	40 Amp	58
KEC36-BK	36" Radiant Electric Cooktop	50 Amp	65



Hestan Indoor products are approved for indoor use only. Hestan Commercial Corporation reserves the right to change materials and specifications without notice.

ELECTRICAL REQUIREMENTS:
208/240V, 60Hz, 40 or 50 amps