

# KIN48XT

48 INSERT HOOD 2 MOTORS 1200 CFM



Complete your Bertazzoni kitchen with this top-of-the-line, dual-blower ventilation insert.

Choose among 4 extraction airflow speeds, reaching a maximum flow performance of 1200 CFM (cubic feet per minute).

Enjoy the ultra-quiet performance rated at 2.5 sones (lowest setting)

Easily control all hood functions with the electronic controls or the included ADA-compliant remote control.

Enjoy powerful illumination of the cooking surface with 4 long lasting and bright LED lights, which also don't create additional heat and are energy efficient.

Filter out odors and grease with the restaurant-style baffle filters in stainless steel, which can be easily cleaned periodically in the dishwasher.

The hood comes standard for venting outside the kitchen, but can be easily modified for recirculation by installing the optional charcoal filters.

Designed and manufactured with pride in Italy.

Industry leading 2 years parts and labor warranty.

## PRODUCT FEATURES

Size	48"
Hood type	Built-In
Hood finish	Stainless steel
Motor	2
Speed	3 + Booster
Hood control	Electronic with buttons
Remote control	Included
Lights	4 LED
Filters type	Baffle stainless steel
Extraction power	1200 CFM
Sound Level (min)	2.48 Sones
Recirculation	Yes
Duct cover	Not applicable
Duct size	10" diameter

## TECHNICAL SPECIFICATIONS

Electrical supply	110 V 60 HZ - 802 W 6.7 Amp
Power connection	NEMA 5-15P with 59" power cord
Certification	ADA Compliant, CEC, UL
Warranty	2 years parts & labor
Packaging dimensions and weight	W 51 3/16" H 15 3/4" D 24 3/16" 47.4 lbs

## OPTIONAL ACCESSORIES

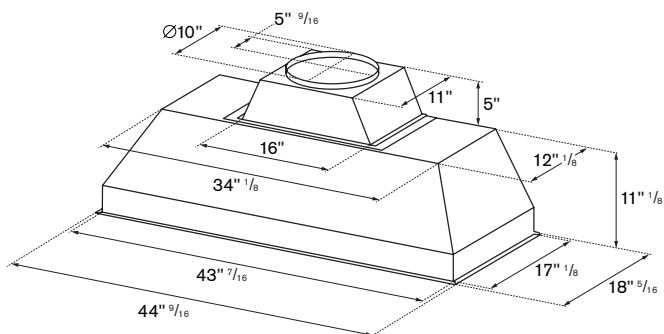
901531	Charcoal filters
901532	Durable charcoal filters

# KIN48XT

48 INSERT HOOD 2 MOTORS 1200 CFM

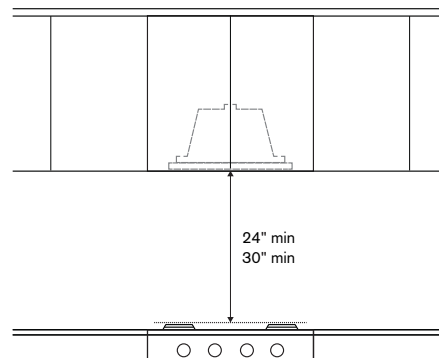


## DIMENSIONS

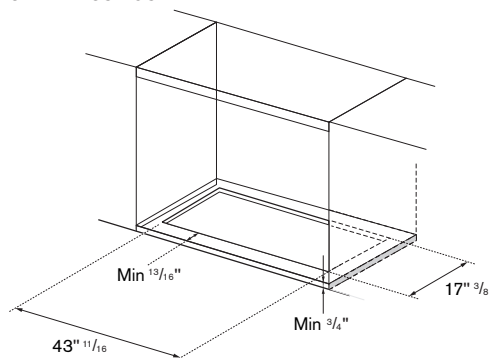


## HOOD CLEARANCE

Recommended height above cooking surface  
Min 24" for induction/electric worktop  
Min 30" for gas worktop



## CABINET CUT-OUT



## ELECTRICAL CONNECTION

The Power Supply Cord and plug must be connected to a separate 120 Volt AC 60 Hz, 15 Amp or more branch circuit, single grounded receptacle. The cord has a 3-pronged plug and must be installed into an outlet that is properly grounded. The electrical receptacle must be within the minimum cord length of 59".

