

L7200 SERIES

BARBECUE GRILL LINER

Enhance your BBQ grilling and capture the professional chef's experience.

Engineered for beauty and performance...



DISTINCTIVE DESIGN:

(L7248 shown)

- Simplicity of design and function
- Available in 36", 42", 48", 54", 60", 66" and 72" widths
- Generously proportioned 32" depth of liner provides an exceptional capture area
- Design of the stainless steel commercial baffle filters adds a professional form

ENDURING QUALITY:

- Powerful Internal Blowers Deliver 1200CFM or 2300CFM
- Heavy gauge commercial stainless steel (#304 grade with #4 brush finish)
- Four 12" by 14" baffle filters for enhanced performance (six or eight filters on larger models)
- Dimmable 50 watt halogen lights
- Optional in-line blowers deliver 1266 CFM

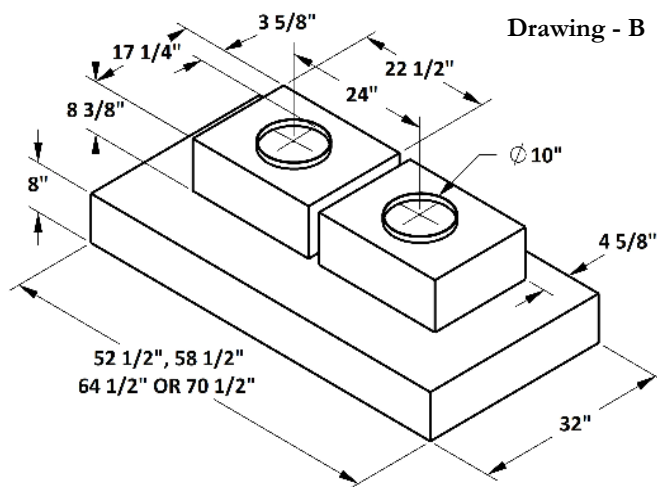
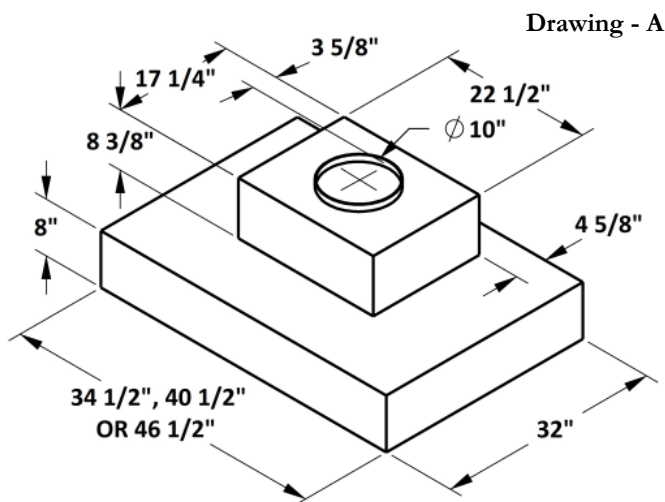
EASY INSTALLATION & CLEANING:

- Remote blower models are pre-wired for use with most in-line or exterior blowers
- Liners with internal blowers are all pre-wired and ready for installation
- Top 10" round discharge (two 10" on larger models)
- Durable, dishwasher safe commercial stainless steel baffle filters
- All stainless steel interior design is easy to keep clean and eliminates grease traps

Our latest BBQ Grill Liner features cutting-edge design for maximum performance and beautiful style to bring you the ultimate barbecuing experience.

L7200 SERIES

BARBECUE GRILL LINERS



Drawing	Model	Size	CFM	3-Speed Motors	In-Line/Remote Blower	Halogen Lights	SS Baffle Filters	Top Discharge	Variable Light Control
A	L7236	36"			X	X	X	X	X
A	L7236-12	36"	1200	X		X	X	X	X
A	L7242	42"			X	X	X	X	X
A	L7242-12	42"	1200	X		X	X	X	X
A	L7248	48"			X	X	X	X	X
A	L7248-12	48"	1200	X		X	X	X	X
B	L7254	54"			X	X	X	X	X
B	L7254-23	54"	2300	X		X	X	X	X
B	L7260	60"			X	X	X	X	X
B	L7260-23	60"	2300	X		X	X	X	X
B	L7266	66"			X	X	X	X	X
B	L7266-23	66"	2300	X		X	X	X	X
B	L7272	72"			X	X	X	X	X
B	L7272-23	72"	2300	X		X	X	X	X

- All models exhaust vertically through a 10" round duct (two 10" on larger models)
- All dimensions are nominal +/- 1/8"
- Center of .875" electrical access holes are 2.5" from rear edge & 1.25" from both outside edges

Trade-Wind Manufacturing, LLC® has a policy of continuous improvements and reserves the right to modify (at any time without notice) any or all of its products, features, designs, components and specifications. For exact dimensions, see the installation instructions included with the product.

For more information please contact your dealer or your Trade-Wind® representative.



TRADE-WIND

800 West Grant Street Phoenix, AZ 85007
 1-800-955-5737
 602-900-8500
 t-wusa.com



TRADE-WIND

Revised 5/19/20

© 2020 Trade-Wind Manufacturing, LLC

Proverbs 22:29