

# ME11A7510DS

SAMSUNG

1.1 cu. ft. Smart SLIM Over-the-Range Microwave  
with 400 CFM Ventilation, Wi-Fi & Voice Control



## Signature Features

### Slim Design

- Open up space above your cooktop with the new, beautifully designed Smart SLIM Over-the-Range Microwave. This combination microwave and hood packs in powerful performance and technology you love in a slim, space-efficient size.

### Wi-Fi and Voice Control


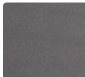
- Adjust settings with your voice or with your smartphone by using the SmartThings App.\* Using a voice assistant, like Samsung Bixby, Amazon Alexa, or Google Assistant, you can tell your microwave what you want it to do.

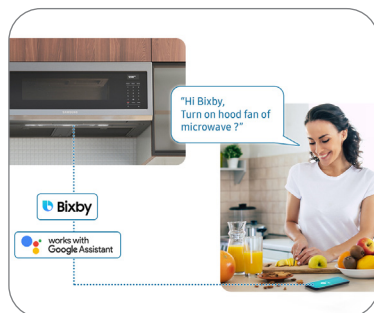
\*Available on Android & iOS devices. A Wi-Fi connection and a Samsung account are required. Bixby is Samsung's brand of artificial intelligence (AI), Amazon Alexa and all related logos are trademarks of Amazon.com, Inc. or its affiliates. Google is a trademark of Google LLC. This app also supports iOS 7 or later for iPhone models. SmartThings App available in App Store and Play Store.

### 400 CFM Hood Ventilation with Hood Connectivity

- This hood has a powerful 400 CFM ventilation system that quickly removes steam, grease and odors that result from cooking.

## Available Colors

-  Fingerprint Resistant Stainless Steel (shown)
-  Fingerprint Resistant Black Stainless Steel



Wi-Fi and Voice Control



400 CFM Hood Ventilation

## Features

- Slim Design
- Wi-Fi and Voice Control
- 400 CFM Ventilation System
- Ceramic Enamel Interior
- SmartThings Cooking\*
- 1.1 cu. ft. Oven Capacity
- Glass Touch Controls
- 1100 Watts of Cooking Power
- 10 Power Levels

- Auto Defrost/Power
- Auto Cook
- Recessed Handle
- Change Filter Reminder

## Convenience

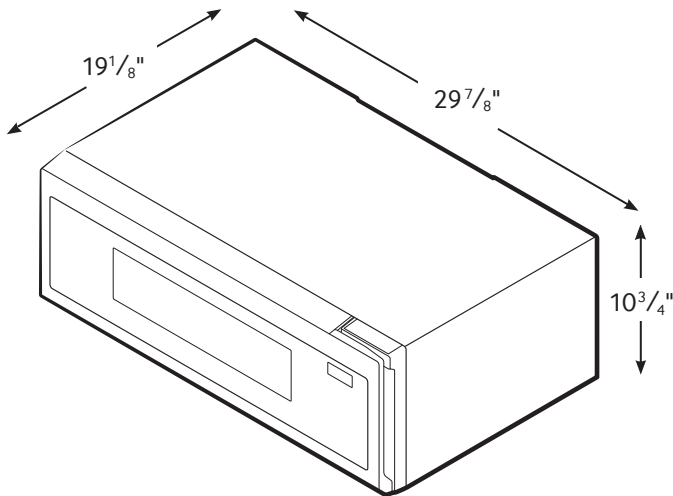
- LED Display
- Clock (12 hr/24 hr) with Daylight Saving Time Adjustment
- Kitchen Timer
- Weight Option
- End Signal
- Interior Light: LED
- Cooktop Lighting: Halogen
- Vent Fan Control: Boost/Hi/Mid/Lo/Off
- Child Safety Lock
- Sound On/Off
- Eco Mode (Reduces Standby Power)
- Wide Grease Filters (2)

# ME11A7510DS

SAMSUNG

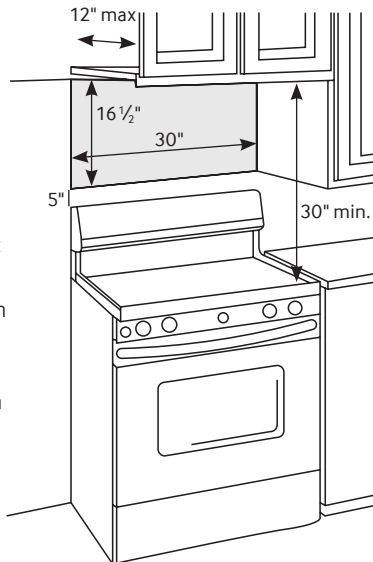
## 1.1 cu. ft. Smart SLIM Over-the-Range Microwave with 400 CFM Ventilation, Wi-Fi & Voice Control

### Dimensions



### Installing Your Microwave

- This microwave oven is designed for adaptation to the following three types of ventilation:
  - A. Outside Top Exhaust (Vertical Duct)
  - B. Recirculating (Non-vented Ductless)
  - C. Outside Back Exhaust (Horizontal Duct)
- The space between the cabinets must be 30" wide and free of obstructions.
- This microwave oven is for installation over ranges up to 36" wide.
- The microwave must be level. Use a level to make sure the cabinet bottom is level. If the cabinets have a front overhang only, with no back or side frame, install the mounting plate down the same distance as the front overhang depth. This will keep the microwave level.



### Specifications

- Oven Cavity: 1.1 cu. ft.
- Power Output: 1100W
- Power Consumption: 1500 W/14.5 Amps
- Power Source: 120 V/60 Hz
- Control Method: Glass Touch
- Display: Ice Blue LED
- Cooking Control: 10 Power Levels, Including Defrost
- Cooking Timer: Digital, up to 99 Minutes, 99 Seconds
- Microwave Distribution System: Turntable
- Glass Turntable Diameter: 11 1/2"
- Vent Fan: 4-Speed/400 CFM
- Vent Fan Control: Boost/Hi/Mid/Lo/Off
- Interior Light: LED
- Cooktop Lighting: Halogen

### Warranty

One (1) Year Parts and Labor  
Ten (10) Years Parts on Magnetron

### Product Dimensions & Weight (WxHxD)

Cavity Dimensions: 18 1/2" x 6 15/16" x 14 15/16"  
Outside Net Dimensions: 29 7/8" x 10 3/4" x 19 1/8"  
Weight: 56.7 lbs

### Shipping Dimensions & Weight (WxHxD)

Dimensions: 33 1/4" x 15 7/16" x 22 1/8"  
Weight: 63.1 lbs

### Color

Fingerprint Resistant  
Stainless Steel

### Model #

ME11A7510DS

### UPC Code

887276551449

Fingerprint Resistant  
Black Stainless Steel

ME11A7510DG

887276577401

FOR EASIER INSTALLATION AND PERSONAL SAFETY, WE RECOMMEND THAT TWO PEOPLE INSTALL THIS MICROWAVE OVEN. IMPORTANT: Do not grip or use handle during installation.

NOTE: If your cabinet is metal, use the nylon grommet around the power cord hole to prevent cutting of the cord.

NOTE: We recommend using filler blocks if the cabinet front hangs below the cabinet bottom shelf.

IMPORTANT: If filler blocks are not used, case damage may occur from overtightening screws.

NOTE: When mounting the microwave oven, thread power cord through hole in bottom of top cabinet. Do not pinch cord or lift oven by pulling cord.