



The Legacy Companies
 3355 Enterprise Avenue, Suite 160, Fort Lauderdale, FL 33331
 Sales: (954) 202-7419 • Sales@TheLegacyCompanies.com
 Tech Service: (877) 368-2797 • Service@MaxxHelp.com

Project Name: _____
 Location: _____
 Item #: _____ Qty: _____
 Model: _____

www.MaximumFoodService.com

22" NARROW MODULAR ICE MAKER

Model: MIM360N MIM360NH

International Model: Add -50 (220V/50Hz/1Ph) or -60 (220V/60Hz/1Ph)



Designed to fit perfectly with the MIB280N Bin
 Bin sold separately



MIM360N
 Full Slab Cube
 7/8" x 7/8" x 7/8"



MIM360NH
 Half Slab Cube
 7/8" x 7/8" x 3/8"

22" wide Maxx Ice air cooled modular ice makers will produce up to 385 pounds of ice per day (under the right conditions.) Stainless steel exterior construction provides durability to a unit that is low-maintenance and easy to clean. Vertical evaporator and proven ice making technology provides years of reliable ice production. This model can be stacked for even more ice production. Front panel is hinged for easy servicing. This space and energy efficient model also fits on most drink dispensers (fountain ice/soda stations in the kitchen or lobby areas). New solid state controls with screen display shows the ice maker status and alerts the operator when servicing is needed.

ICE PRODUCTION

Air Temp	Water Temp	MIM 360N	MIM 360NH
70°F (21°C)	50°F (10°C)	373 lbs (169kg)	361lbs (164kg)
90°F (32°C)	70°F (21°C)	288 lbs (131kg)	285 lbs (129kg)

OPERATING REQUIREMENTS

Ambient Temp Range 45° to 99°F (7° to 37°C)
 Water Temp Range 40° to 90°F (4° to 32°C)
 Water Usage 100lbs (45.4kg) of Ice 13.12 Gallons (49.7 L)
 Water Supply Line Connection 3/8" FPT
 Water Pressure Range
 Min PSI 15 Max PSI 75 (above 75 requires a regulator)
 Min Bar 1.0 Max Bar 5 (if over 5 atmospheres, a pressure regulator is needed)
 Energy Consumption: 6.1 kWh/100 lb of ice produced at 90°F Air /70°F Water

FEATURES and CONSTRUCTION

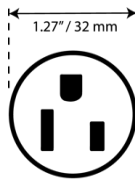
- Exterior Material: Corrosion resistant stainless steel and plastic
 - Air Cooled Compressor
 - Narrow 22" width – fits in tight places where space is limited
 - Automatic Cleaning Cycle
 - Hinged panel for easy service
 - New user-friendly controls
 - Screen displays ice maker status
 - For more ice making production, ice makers are stackable (Optional adapter is required)
 - Power for unit also illuminates LED light in storage bin (MIB280N)
 - Comes with NEMA 5-15 Cord Set for plug-and-play operation
- * Use of a water filter recommended

REFRIGERANT

- CFC & HCFC free R-404A

ELECTRIC

MIM360N/NH 115V/60Hz/1 Ph (NEMA 5-15P)
 (220V/50-60Hz/1ph available as an option)



NEMA 5-15P



Certified to
 ANSI NSF 012



Certified to
 ANSI UL 563



DOE 2018
 Compliant



Maxx Ice WARRANTY (USA / CANADA)

Three (3) years parts
 Three (3) years on-site labor
 Five (5) years compressor (part only)
 Administered by The Legacy Companies, 877.368.2797

Due to periodic changes in designs, methods, procedures, policies and regulations, the specifications contained in this sheet are subject to change without notice. While we exercise good faith efforts to provide information that is accurate, we are not responsible for errors or omissions in information provided or conclusions reached as a result of using the specifications. By using the information provided, the user assumes all risks in connection with such use.

The built in performance enhancing functions ensure that given proper attention and preventative maintenance, each Maxx Product will deliver years of trouble free, reliable, low maintenance, efficient operation.



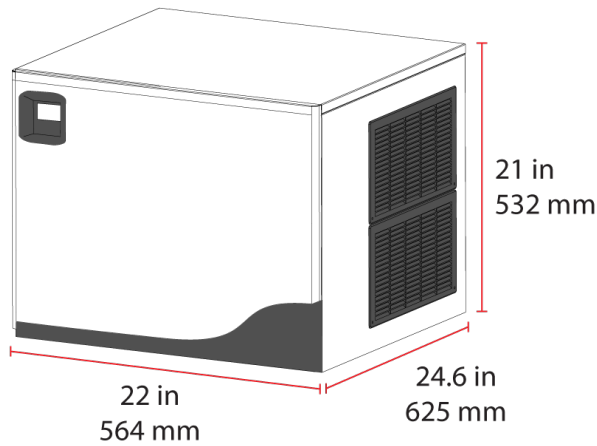
The Legacy Companies
 3355 Enterprise Avenue, Suite 160, Fort Lauderdale, FL 33331
 Sales: (954) 202-7419 • Sales@TheLegacyCompanies.com
 Tech Service: (877) 368-2797 • Service@MaxxHelp.com

Project Name: _____
 Location: _____
 Item #: _____ Qty: _____
 Model: _____

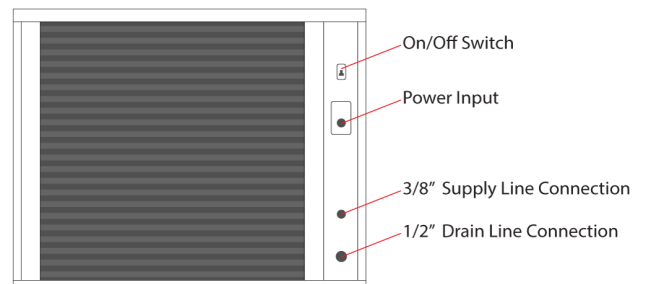
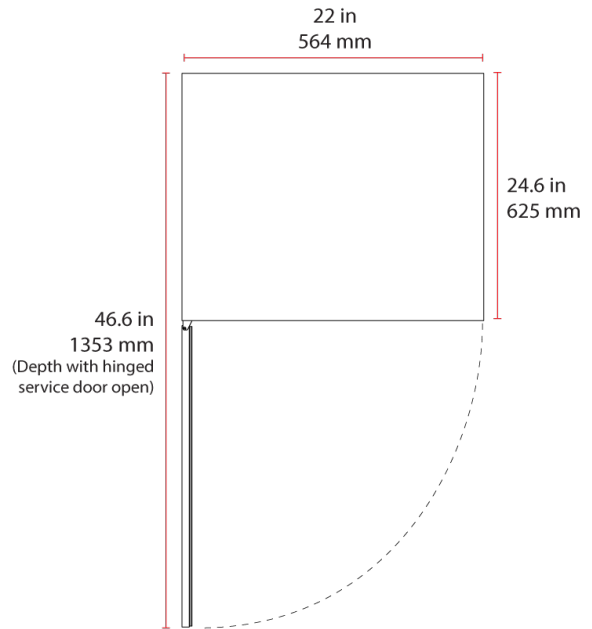
www.MaxximumFoodService.com

22" NARROW MODULAR ICE MAKER with Matching Storage Bin

MIM360N/NH



TOP & BACK VIEWS



	MIM360N/NH
In: External Dimensions W x D X H	22 x 24.6 x 21
mm: External Dimensions W x D X H	564 x 625 x 532
Peak (Maximum) Amp Draw	11.75 Amps at 120V
Average Amp Draw	7.32 Amps
Unit Weight	93 lbs (42 kg)
Shipping Weight	111.5 lbs (50.5 kg)
Finish	Stainless Steel/Black Trim

Installation must conform to applicable local codes and ordinances.
 Use of a qualified licensed technician is suggested.

Due to periodic changes in designs, methods, procedures, policies and regulations, the specifications contained in this sheet are subject to change without notice.
 While we exercise good faith efforts to provide information that is accurate, we are not responsible for errors or omissions in information provided or conclusions reached as a result of using the specifications.
 By using the information provided, the user assumes all risks in connection with such use.