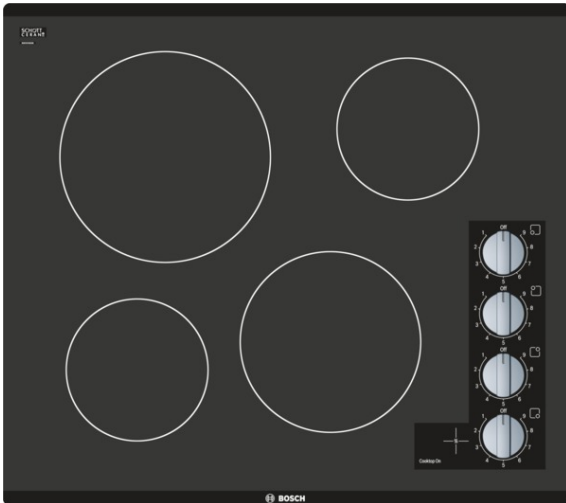


Cooktops

24" Electric Cooktop 500 Series - Black Frameless NEM5466UC



- Infinite Temperature Controls for Precision Cooking

Technical Data

Knob Material :	Plastic
Sealed Burners :	No
Dimension of 1st heating element (in) :	7"
Power of 1st heating element (W) :	1.85
Dimension of 2nd heating element (in) :	8"
Power of 2nd heating element (W) :	2.2
Dimension of 3rd heating element (in) :	6"
Power of 3rd heating element (W) :	1.2
Dimension of 4th heating element (in) :	6"
Power of 4th heating element (W) :	1.8
UPC code :	825225916772
Variant color :	Black
Energy source :	Electric
Watts (W) :	7100
Current (A) :	30/30
Volts (V) :	240/208
Frequency (Hz) :	60
Approval certificates :	CE, VDE
Power cord length (cm) :	96
Plug type :	no plug
Required cutout size (HxWxD) (in) :	4 1/3" x 22" x 19 1/4"
Required cutout size (HxWxD) (mm) :	102 x 560 x 490
Minimum distance from counter front (in) :	2 1/4"
Minimum distance from rear wall (in) :	2"
Overall appliance dimensions (HxWxD) (in) :	1/8"+4 1/3" x 23" x 20 1/5"
Overall appliance dimensions (HxWxD) (mm) :	102 x 596 x 526
Product packaging dimensions (HxWxD) (in) :	8.26 x 24.01 x 43.30
Net weight (lbs) :	19
Net weight (kg) :	9.0
Gross weight (lbs) :	26
Gross weight (kg) :	12.0
Total number of cooktop burners :	4

Cooktops

24" Electric Cooktop 500 Series - Black Frameless NEM5466UC

Design

- Black-glass Seamless Design
- Cooktop Design Coordinates with Bosch Ovens and Ventilation

Performance

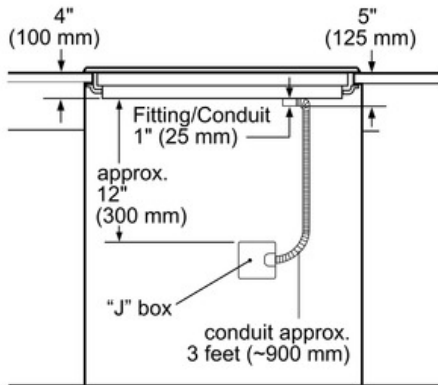
- Infinite Temperature Controls for Precision Cooking
- Powerful 2,200W Burner for Faster Boil Times

Safety

- 2-Level Heat Indicator - Warns if Cooktop is Warm or Hot

Cooktops

24" Electric Cooktop 500 Series - Black Frameless NEM5466UC



measurement in inches (mm)

