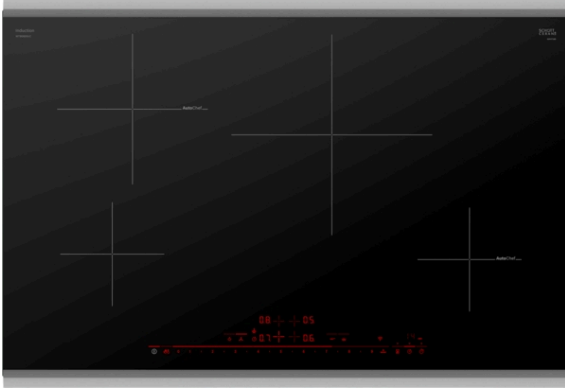


**800 Series, Induction Cooktop, 30",  
Black  
NIT8060SUC**



**The 800 Series induction cooktop is sleek in design, and features AutoChef® technology which maintains precise cooking.**

- **DirectSelect Premium:** Direct, simple selection of the desired cooking zone, power and additional functions.
- **AutoChef®** - regulates temperatures continuously during frying and adjusts them precisely as needed.
- With **Home Connect®**, remotely monitor your cooktop to check if you inadvertently left it on.
- **SpeedBoost®** - adds even more power to speed up the cooking process.
- **Cooktop - Hood Sync:** convenient operation of the hood directly from your cooktop (with matching hood).

---

**Technical Data**

Sealed Burners : No

Burners with booster : All

Dimension of 1st heating element (in) : 6"

Power of heating element (W) : 1.4 kW

Dimension of 3rd heating element (in) : 9"

Power of 3rd heating element (W) : 2.2 kW

---



---

**Optional accessories**

HEZ390210 : System pan diameter 15 cm

HEZ390220 : System pan diameter 19 cm

HEZ390230 : System pan diameter 21cm

## **800 Series, Induction Cooktop, 30", Black NIT8060SUC**

**The 800 Series induction cooktop is sleek in design, and features AutoChef® technology which maintains precise cooking.**

---

### **Design**

- 4 Induction Cooking Zones
- PreciseSelect® Premium - Direct Cooking Level Selection (17 Settings)
- Also Available as Frameless Option: NIT8060UC
- Front and Back Stainless Steel Strip for a Premium Look

### **Efficiency**

- SpeedBoost® - Adds Even More Power to Speed Up the Cooking Process
- ShortBoost - Ideal for Cooking With Oil, or Pans With Thin Walls or Non-Stick Coating
- PotSense™ - Automatically Adjusts Cooking Element to the Size of the Pan Bottom

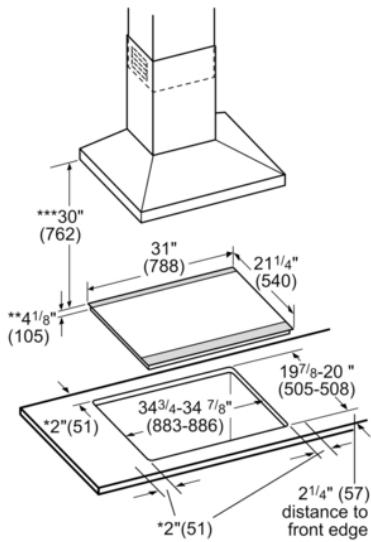
### **Convenience**

- With Home Connect™, the Bosch Cooktop and Matching Hood Operate Perfectly in Sync for an Easier Life
- Use the Kitchen Timer to Measure Cooking Time or as a Reminder
- Count Up Timer – Stopwatch Function That Enables Close Monitoring of the Progress of Each Dish
- AutoChef® Frying Sensor With 5 Automatic Programs
- Keep Warm Function - Low Setting for Keeping Food Warm at the Touch of a Button
- ReStart - Quickly Reinstates Previous Settings

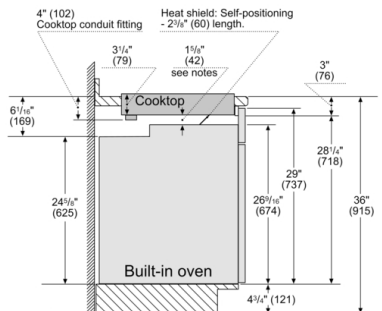
### **Safety**

- ChildLock - Prevents the Cooktop from Being Accidentally Switched on. Locks Temperature Settings if in Use.
- Digital 2-Stage Residual Heat Indicator for Each Cooking Zone
- Wipe Protection - Quickly Pauses Settings to Clean as You Go

## 800 Series, Induction Cooktop, 30", Black NIT8060SUC



\* Minimum distance from the hob cut-out  
30" Built-in oven – under induction cooktop

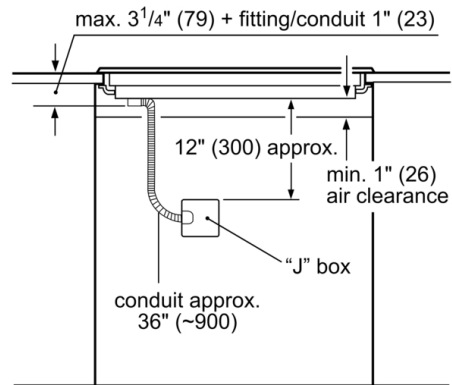


Notes:

Dimensions based on standard countertop height (36" with 4<sup>1</sup>/<sub>2</sub>" toe kick including base plate).

The built-in oven can be installed below the induction cooktop as long as there is a minimum 1" (26) clearance between the bottom of the cooktop and the top of the oven.

measurements in inches (mm)



Measurements in inches (mm)

Measurements in inches (mm)

