

# NX60A6751SS

SAMSUNG

## Samsung Smart Freestanding Gas Range with Flex Duo™, Stainless Cooktop & Air Fry 6.0 cu. ft. Capacity



### Signature Features

#### Flex Duo™

- Use the full oven for a large roast or split it into two smaller ovens that can cook at different temperatures, saving both time and energy.


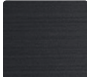
#### Air Fry

- A healthier way to prepare your favorite fried foods right in your oven with little to no oil.\* No preheating required. Air Fry tray included.  
\*As compared to deep frying.

#### Convection+

- Heated fan element saves you time by cooking food fast and more evenly.

### Available Colors

-  Fingerprint Resistant Stainless Steel (shown)
-  Fingerprint Resistant Black Stainless Steel



Flex Duo™



Air Fry

### Features

- Flex Duo™
- Air Fry, Tray Included
- Convection+
- Large Oven Capacity – 6.0 cu. ft.
- Fingerprint Resistant Finish
- Extra Oven Settings - Bread Proof, Dehydrate, Favorite Cook, Keep Warm
- Removable Nonstick Griddle
- Wok Ring
- Edge-to-Edge Grates
- Storage Drawer

- Flexible Cooktop:  
Five-Burner Cooktop
  - Right Front: 18K BTU Dual Ring
  - Left Front: 17K BTU
  - Right Rear: 5K BTU
  - Left Rear: 9.5K BTU
  - Center (Oval): 10K BTU

### Convenience

- Wi-Fi Connectivity
- Voice-Enabled
- SmartThings Cooking
- Convection Auto Conversion
- Self Clean
- Sabbath Mode
- Child Safety Lock
- Delay Start
- Auto Oven Light
- Kitchen Timer



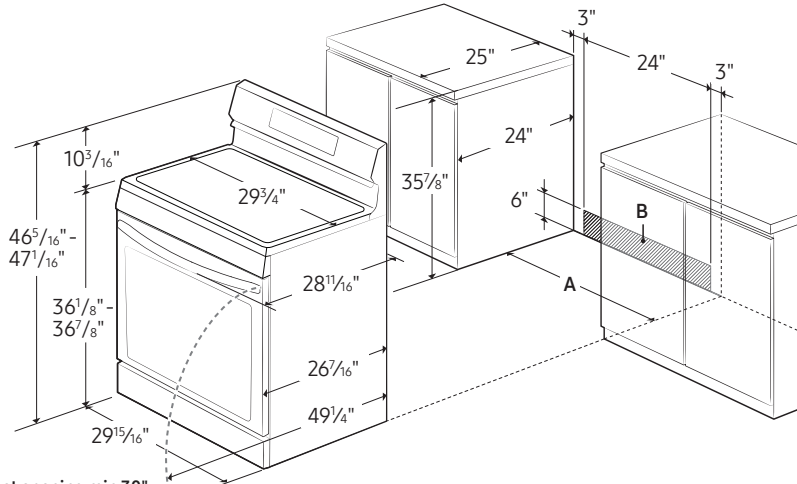
# NX60A6751SS

**SAMSUNG**

## Samsung Smart Freestanding Gas Range with Flex Duo™, Stainless Cooktop & Air Fry

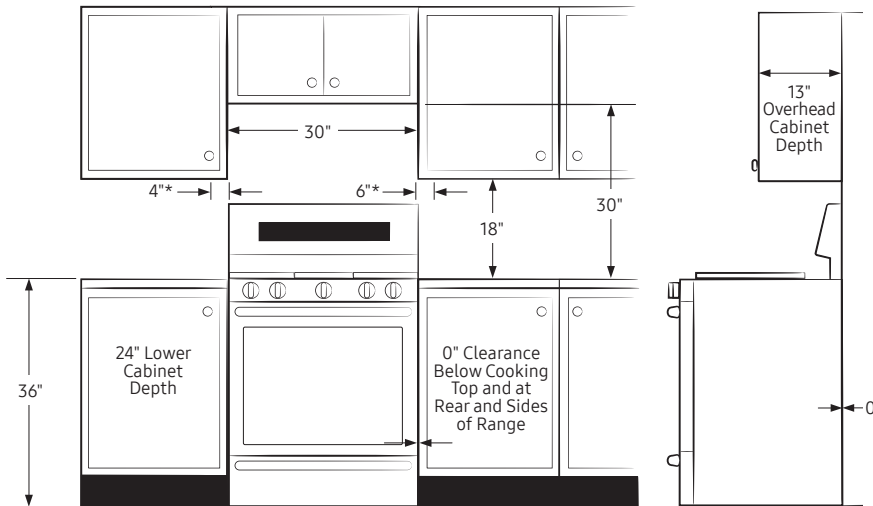
6.0 cu. ft. Capacity

### Installing Your Range



A: Cabinet opening min 30"  
B: Acceptable electrical outlet area

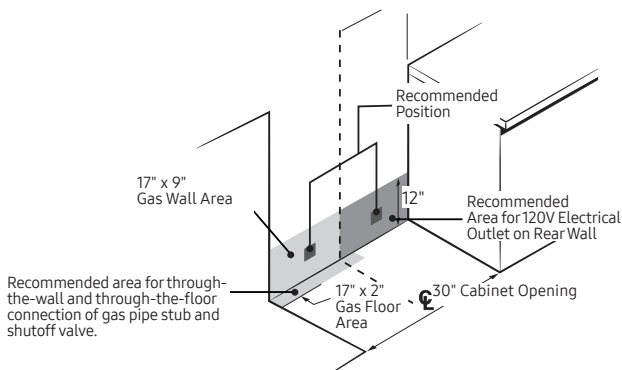
**IMPORTANT:** If your cabinets are over 36 3/4" high, you must install this range on a hard, heat-resistant support that raises the surface of the range so that it is about even with the countertop.



\* Side clearance above cooking surface to any objects, i.e., wall.

**IMPORTANT:** Consult with Installation Manual for detailed instructions before installing. All ranges must be installed with the Anti-Tip device that is included.

### Recommended Locations for Gas Piping and Electrical Outlets



### Power Source

120 V/60 Hz/20 A

### Total Power (BTU)

59,500 BTU

### 5-Burner Cooktop

- Right Front: 18K BTU, Dual Ring
- Left Front: 17K BTU
- Right Rear: 5K BTU
- Left Rear: 9.5K BTU
- Center (Oval): 10K BTU

### Oven

- Upper Capacity: 3.4 cu. ft.
- Lower Capacity: 2.5 cu. ft.
- Convection Element/Heater
- Convection Bake
- Convection Roast
- Bake
- Variable Broil: Low/High
- Air Fry
- Bread Proof
- Dehydrate

### Warranty

One (1) Year Parts and Labor

### Product Dimensions & Weight (WxHxD)

Oven Interior Dimensions:

24 13/16" x 21 5/8" x 19 5/8"

Outside Net Dimensions:

29 15/16" x 46 5/16" - 47 1/16" (Adjustable) x 28 11/16"

Weight: 219 lbs

### Shipping Dimensions & Weight (WxHxD)

Dimensions:

33 1/16" x 50 9/16" x 30 5/16"

Weight: 243 lbs

### Color

Fingerprint Resistant

Stainless Steel

### Model #

NX60A6751SS

### UPC Code

887276551647

Fingerprint Resistant

Black Stainless Steel

NX60A6751SG

887276551630



Actual color may vary. Design, specifications, and color availability are subject to change without notice. Non-metric weights and measurements are approximate.

©2021 Samsung Electronics America, Inc. 85 Challenger Road, Ridgefield Park, NJ 07660. Tel: 800-SAMSUNG. samsung.com. Samsung is a registered trademark of Samsung Electronics Co. Ltd.