

# FISHER & PAYKEL

## SPECIFICATION GUIDE

## CONVECTION SPEED OVEN, 30"



### OVERVIEW

Designed to complement our Professional style wall oven and warming drawer, this built-in Convection Speed Oven seamlessly integrates into any kitchen design, with a stylish stainless steel finish. With the flexibility of both microwave and oven technology, it features six cooking functions including True Convection and Broil. Pair with other companion products to create a kitchen suite for every need.

### MODELS

Convection Speed Oven, 30", Stainless steel  
OM30NPX1

### SERIES & STYLE

Series 9  
Professional Style

### FEATURES

- ① Part of our suite of companion products, designed to match aesthetically for flexible configurations
- ② Pairs perfectly with the Professional style 30" Oven and Warming Drawer
- ③ Intuitive touch display for ease of use
- ④ Flexibility of both microwave and oven technology, with six cooking functions
- ⑤ A CoolTouch door ensures it's safe to touch from the outside, protecting hands
- ⑥ Easy-to-clean stainless steel interior
- ⑦ 1.3 cu ft total gross capacity
- ⑧ Full width broil function with 1500W power
- ⑨ Program in desired cooking function and duration with automatic cooking feature
- ⑩ 900W microwave power and 1500W fan element power

### ACCESSORIES

- ① Baking pan and wire shelf
- ② Turntable wire stand
- ③ Glass turntable

# FISHER & PAYKEL

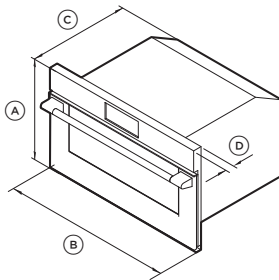
## SPECIFICATION GUIDE

## CONVECTION SPEED OVEN, 30"

### SPECIFICATIONS

<b>Model No.</b>	OM30NPX1
<b>Dimensions</b>	H 18 1/2" (470mm) x W 29 13/16" (757mm) x D 22 5/16" (567mm)
<b>Total capacity</b>	1.3 cu ft (37L)
<b>Electrical</b>	
<b>Supply</b>	120V / 208V - 120V / 240V 60Hz
<b>Service</b>	15 Amp circuit
<b>Receptacle</b>	Hard wired

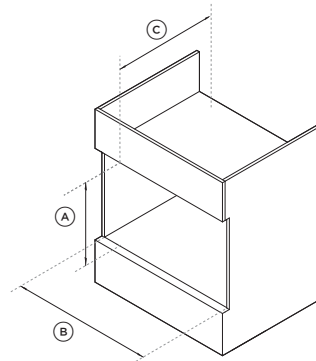
### PRODUCT DIMENSIONS



ISO VIEW

	in	mm
Ⓐ Overall height of speed oven	18 1/2	470
Ⓑ Overall width of speed oven	29 13/16	757
Ⓒ Overall depth of speed oven	22 5/16	567
Ⓓ Depth of speed oven front frame and control panel	1 9/16	39

### CAVITY DIMENSIONS: STANDARD INSTALLATION



ISO VIEW

	in	mm
Ⓐ Minimum inside height of cavity*	18 3/8	467
Ⓑ Minimum inside width of cavity	25 3/8	645
Ⓒ Minimum inside depth of cavity measured from rear of front frame	22 1/16	560

\*A 1/2" (12mm) spacer must be installed in the base of the cavity, see installation guide for details.

Note: Ventilation required at the rear of the cavity.