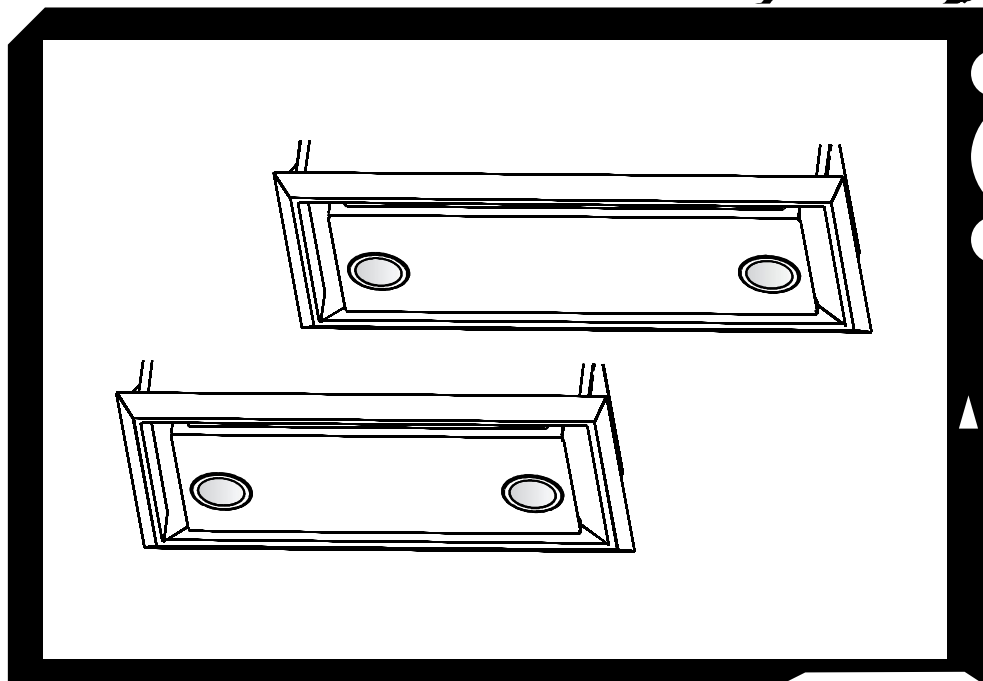


best[®]



Model P195P

ENGLISH.....	2
FRANÇAIS.....	11
ESPAÑOL.....	20

In USA - BEST Hartford, Wisconsin

In CANADA - BEST Drummondville, QC, Canada

REGISTER YOUR PRODUCT ONLINE AT : www.BestRangeHoods.com/register
For additional Information visit www.BestRangeHoods.com

READ AND SAVE THESE INSTRUCTIONS

⚠ INTENDED FOR DOMESTIC COOKING ONLY ⚠

⚡ ⚠ WARNING

TO REDUCE THE RISK OF FIRE, ELECTRIC SHOCK, OR INJURY TO PERSONS, OBSERVE THE FOLLOWING:

1. Use this unit only in the manner intended by the manufacturer. If you have questions, contact the manufacturer at the address or telephone number listed in the warranty.
2. Before servicing or cleaning unit, switch power off at service panel and lock service panel to prevent power from being switched on accidentally. When the service disconnecting means cannot be locked, securely fasten a prominent warning device, such as a tag, to the service panel.
3. Installation work and electrical wiring must be done by a qualified person(s) in accordance with all applicable codes and standards, including fire-rated construction codes and standards.
4. Sufficient air is needed for proper combustion and exhausting of gases through the flue (chimney) of fuel burning equipment to prevent backdrafting. Follow the heating equipment manufacturer's guidelines and safety standards such as those published by the National Fire Protection Association (NFPA), and the American Society for Heating, Refrigeration and Air Conditioning Engineers (ASHRAE), and the local code authorities.
5. When cutting or drilling into wall or ceiling, do not damage electrical wiring and other hidden utilities.
6. Ducted fans must always be vented to the outdoors.
7. Do not use this unit with any separate solid-state speed control device.
8. To reduce the risk of fire, use only metal ductwork.
9. This unit must be grounded.

TO REDUCE THE RISK OF A RANGE TOP GREASE FIRE:

- A. Never leave surface units unattended at high settings. Boilovers cause smoking and greasy spillovers that may ignite. Heat oils slowly on low or medium settings.
- B. Always turn hood ON when cooking at high heat or when cooking flaming foods. (i.e. Crepes Suzette, Cherries Jubilee, Peppercorn Beef Flambe').
- C. Clean ventilating fans frequently. Grease should not be allowed to accumulate on fan or filter.
- D. Use proper pan size. Always use cookware appropriate for the size of the surface element.

⚡ ⚠ WARNING

TO REDUCE THE RISK OF INJURY TO PERSONS IN THE EVENT OF A RANGE TOP GREASE FIRE, OBSERVE THE FOLLOWING:*

1. **SMOTHER FLAMES** with a close-fitting lid, cookie sheet, or metal tray, then turn off the burner. **BE CAREFUL TO PREVENT BURNS.** If the flames do not go out immediately, **EVACUATE AND CALL THE FIRE DEPARTMENT.**
2. **NEVER PICK UP A FLAMING PAN** - You may be burned.
3. **DO NOT USE WATER**, including wet dishcloths or towels - violent steam explosion will result.
4. Use an extinguisher **ONLY** if:
 - A. You know you have a Class ABC extinguisher and you already know how to operate it.
 - B. The fire is small and contained in the area where it started.
 - C. The fire department is being called.
 - D. You can fight the fire with your back to an exit.

* Based on "Kitchen Fire Safety Tips" published by NFPA.

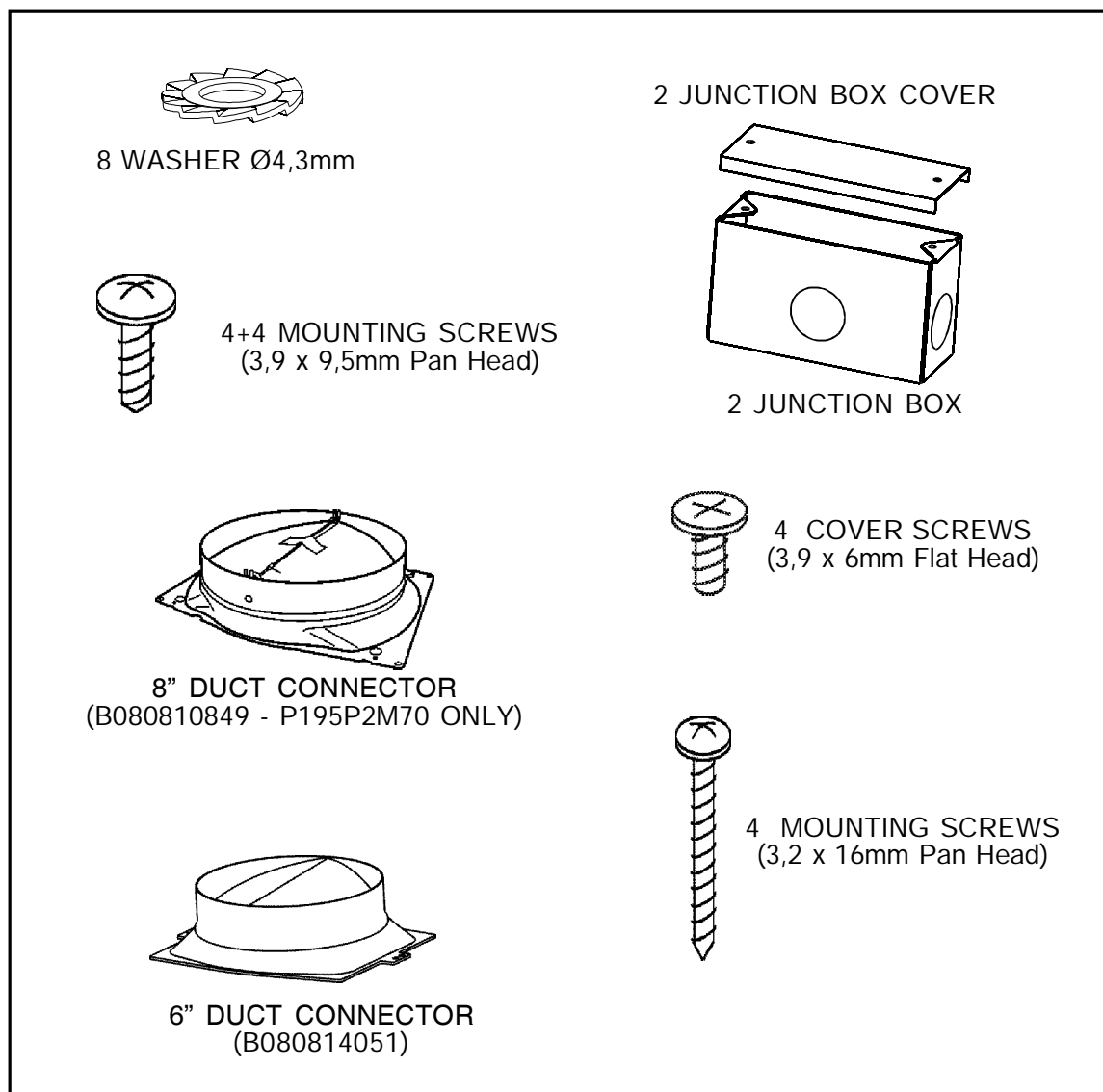
CAUTION

1. For indoor use only.
2. To reduce risk of fire and to properly exhaust air, be sure to duct air outside. Do not vent exhaust air into spaces within walls or ceilings or into attics, crawl spaces, or garages.
3. Take care when using cleaning agents or detergents.
4. Avoid using food products that produce flames under the Range Hood.
5. For general ventilating use only. Do not use to exhaust hazardous or explosive materials and vapors.
6. To avoid motor bearing damage and noisy and/or unbalanced impellers, keep drywall spray, construction dust, etc. off power unit.
7. Your hood motor has a thermal overload which will automatically shut off the motor if it becomes overheated. The motor will restart when it cools down. If the motor continues to shut off and restart, have the hood serviced.
8. For best capture of cooking impurities, the bottom of the hood should be a minimum of 24" and a maximum of 30" above the cooking surface.
9. This product is equipped with a thermostat which may start blower automatically. To reduce the risk of injury and to prevent power from being switched on accidentally, switch power off at service panel and lock or tag service panel.
10. Use with approved cord-connection kit only.
11. Please read specification label on product for further information and requirements.

PREPARE THE HOOD

Unpack hood and check contents.

- 1 - Hood
- 1 - Hardware Bag (B08084041) containing:
 - 4 - Mounting Screws (3,2 x 16mm Pan Head)
- 1 - Parts Bag (B08084042) containing:
 - 2 - Junction Box
 - 2 - Junction Box Cover
 - 4 - Cover Screws (3,9 x 6 Flat Head)
 - 8 - Washer
 - 4 - Mounting Screws (3,9 x 9,5mm Pan Head)
- 1 - Parts Bag (B080814051) containing:
 - 1 - 6" Damper Duct Connector
 - 2 - Mounting Screws (3,9 x 9,5mm Pan Head)
- 1 - Parts Bag (B080810849 - P195P2M70 ONLY) containing:
 - 1 - 8" Damper Duct Connector
 - 4 - Mounting Screws (3,9 x 9,5mm Pan Head)
- 1 - Installation Instructions



INSTALL DUCT CONNECTOR

1. Install the damper duct connector onto the hood using mounting screws (3,9x9,5mm) as shown in Fig.2
2. Remove the tape located on the damper. See Fig.2.

INSTALL JUNCTION BOXES

1. In the area marked "120 VAC INPUT", place a junction box on the top of the hood. Run the wires through the hole below and secure with (2) 3,9 x9,5 screws and (2) washers. See Fig.3-4.
2. Repeat with the second junction box in the area marked "Relay Contact (30VRMS, MAX) Connection for Broan Make-up Air Damper Models MD6T/MD8T".

INSTALL THE DUCTWORK

NOTE: To reduce the risk of fire, use only metal ductwork.

1. Decide where to install the duct.
2. A straight, short duct will allow the hood to perform most efficiently.
3. Long duct, elbows, and transitions will reduce the performance of the hood. Use as few of them as possible.
4. Use duct tape to seal the joints between ductwork sections.

Ducted configuration (shown in Fig. 1a):

Install a roof or wall cap. Connect the round metal ductwork to cap and work back towards hood location.

Non-Ducted configuration (shown in Fig. 1b):

Install a decorative grill (not supplied by Best). You may need to purchase a metal round-to-rectangular transition depending on your application.

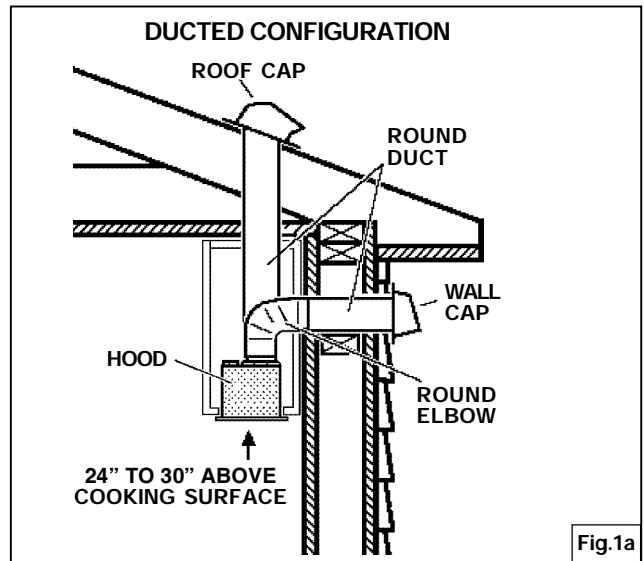


Fig.1a

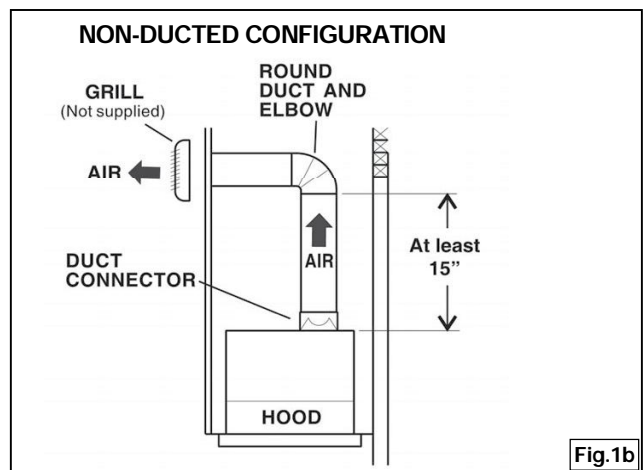


Fig.1b

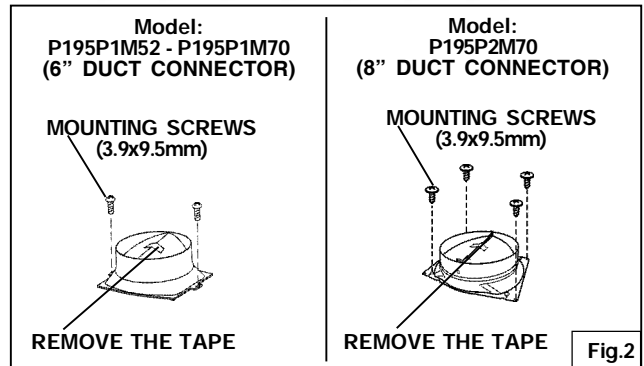


Fig.2

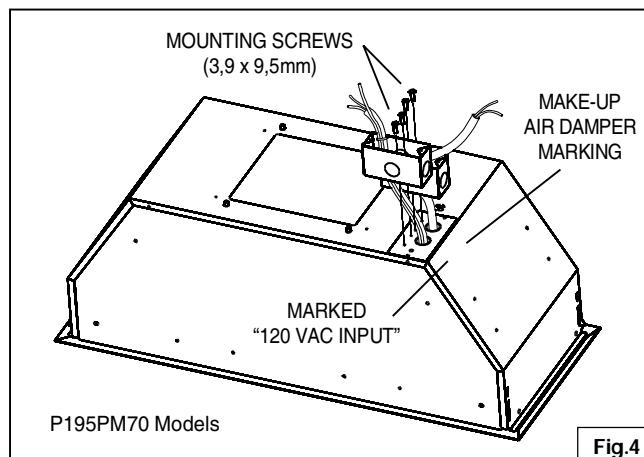


Fig.4

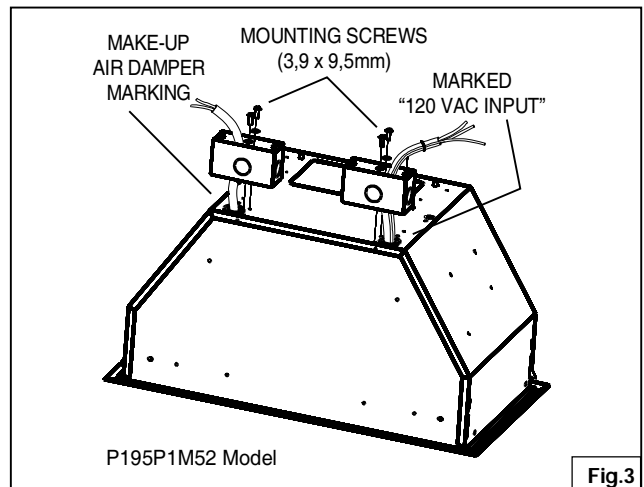
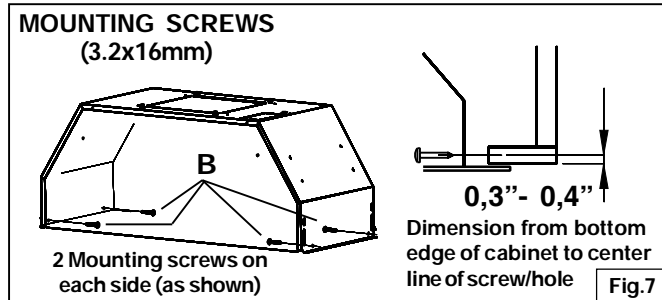
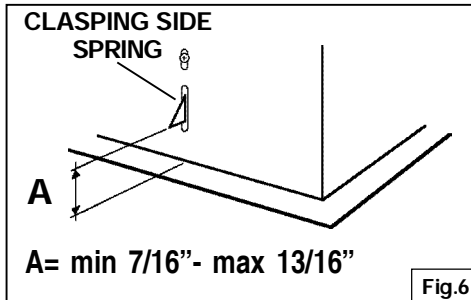
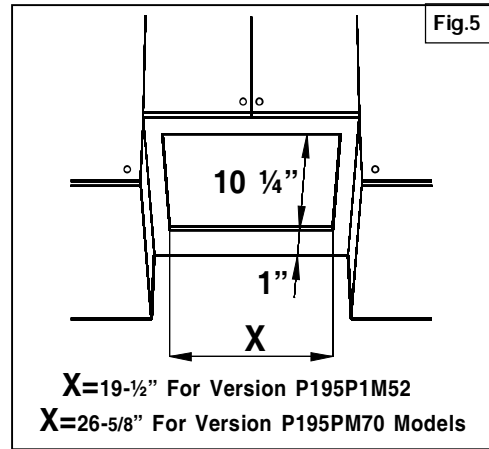


Fig.3

INSTALL THE HOOD

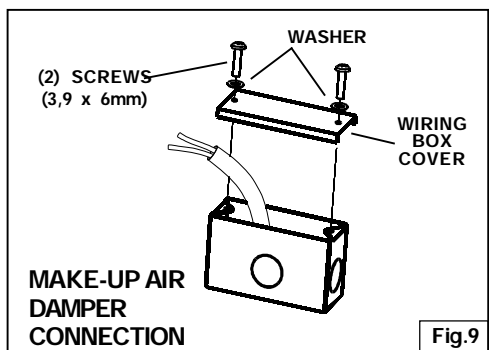
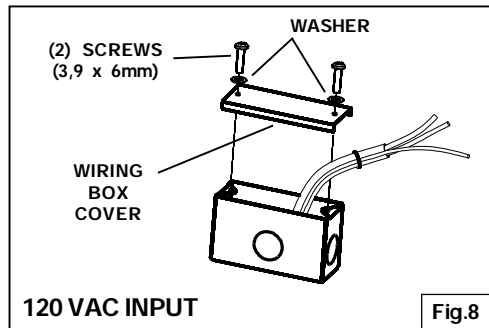
1. Cut a hole in the bottom of the cabinet.
See Fig.5
2. To install the hood, adjust the position of the clamping side spring by turning the screws, according to the thickness of the cabinet to which it is going to be anchored.
See Fig.6
3. Insert the hood in the cabinet and lock into position using the side spring.
4. Use the holes in the hood, secure it with (4) mounting screws (B) - 3.2 x 16mm. See Fig.7



WIRING

Note: This range hood must be properly grounded. The unit should be installed by a qualified electrician in accordance with all applicable national and local electrical codes.

- **120 VAC INPUT (FIG.8)**
 1. Secure the conduit to the wiring box through a conduit connector.
 2. Make electrical connections. Connect white to white, black to black and green to green.
 3. Install wiring box cover and secure it with (2) screws 3,9 x 6mm and (2) washers. Make sure that wires are not pinched between cover and box.
- **MAKE-UP AIR DAMPER CONNECTION (FIG.9)**
 1. Secure the conduit to the wiring box through a conduit connector.
 2. Make electrical connections. Connect black to orange and black to white
Refer to Air Damper Models MD6T/MD8T instruction.
 3. Install wiring box cover and secure it with (2) screws 3,9 x 6mm. and (2) washers. Make sure that wires are not pinched between cover and box.



CONNECT DUCTWORK

1. Use **6" or 8" round metal duct** to connect the duct connector on the hood to the ductwork above.
2. Use **duct tape** to make all joints secure and air tight.

MAINTENANCE

Grease Filters

The **grease filter/s** should be cleaned frequently. Use a warm detergent solution. Grease filters are dishwasher safe.

To take off the **grease filter/s** first open the closure panel pulling downwards. See Fig.10 To take off the grease filter/s: at the handle, push the stop inwards and pull the filters downwards. See Fig.11.

Hood Cleaning

Stainless steel is one of the easiest materials to keep clean. Occasional care will help preserve its fine appearance.

Cleaning tips:

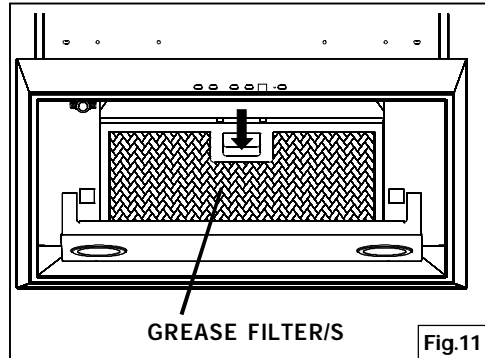
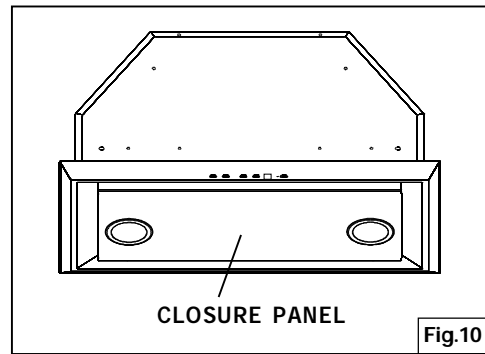
- Hot water with soap or detergent is all that is usually needed.
- Rinse water. Wipe dry with a clean, soft cloth to avoid water marks.
- For discolorations or deposits, use a non-scratching household cleanser or stainless steel polish with a soft cloth.
- For stubborn cases, use a plastic scouring pad or soft bristle brush together with cleanser and water. Rub lightly in direction of the "grain" of the stainless finish. Avoid using too much pressure which may mar the surface.
- **DO NOT** allow deposits to remain for long periods of time.
- **DO NOT** use ordinary steel wool or steel brushes. Small bits of steel may adhere to the surface causing rust.
- **DO NOT** allow salt solutions, disinfectants, bleaches, or cleaning compounds to remain in contact with stainless steel for extended periods. Many of these compounds contain chemicals which may be harmful. Rinse with water after exposure and wipe dry with a clean cloth.

Painted surfaces should be cleaned with warm water and mild detergent only.

INSTALL RECIRCULATION KIT (Non-Duct Option Only)

Purchase Charcoal Filter Kit Model AFCP195P52 for P195P1M52 or AFCP195P70 for P195PM70.

Replace filters every 3 months.



OPERATION

The hood is operated using the (5) push buttons located on the front edge of the hood.

The **Light Off** switch turns the lights off and on.

The **Light Intensity** switch increases and decreases the lighting level.

The **Blower Off/Speed** switch turns the blower off and changes blower speed to four different speed settings: high, medium-high, medium-low and low speed. Depress and hold the button for 2 seconds to turn the blower off.

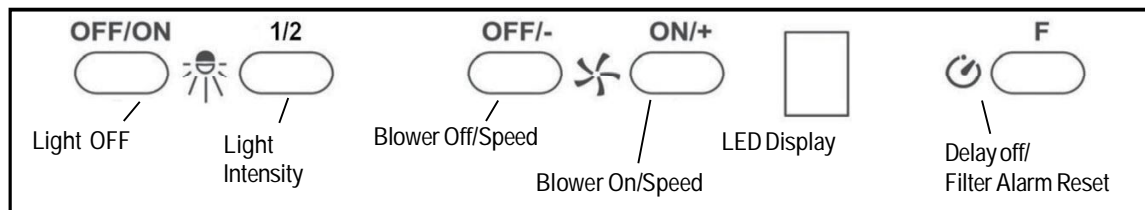
The **Blower On/Speed** switch turns the blower on to four different speed settings: Low, medium-low, medium-high and high speed.

The **LED Display**:

- Indicates blower speed selection from 1 (low speed) to 4 (high speed).
- Flashes the blower speed when the 10-minute delay off has been activated.
- After 30 hours of operation, the center segment of the display blinks and remains lit, indicating that the filter needs to be cleaned.

The **Delay off** feature: When pushed, the blower will continue to operate at the current speed setting for 10 minutes before automatically turning itself off.

The **Filter Alarm Reset** switch is used to reset the 30-hour filter timer. After the filter is cleaned or replaced, press this switch once to reset the filter clean alarm.



HEAT SENTRY™

Your hood is equipped with a HEAT SENTRY™ thermostat. This thermostat is a device that will turn on or speed up the blower if it senses excessive heat above the cooking surface.

- 1) If blower is OFF - it turns blower ON to HIGH speed.
- 2) If blower is ON at a lower speed setting - it turns blower up to HIGH speed.

When the temperature level drops to normal, the blower will return to its original setting.

WARNING

The HEAT SENTRY thermostat can start the blower even if the hood is turned OFF. When this occurs, it is impossible to turn the blower OFF with its switch. If you must stop the blower, do it from the main electrical panel.

HALOGEN BULBS

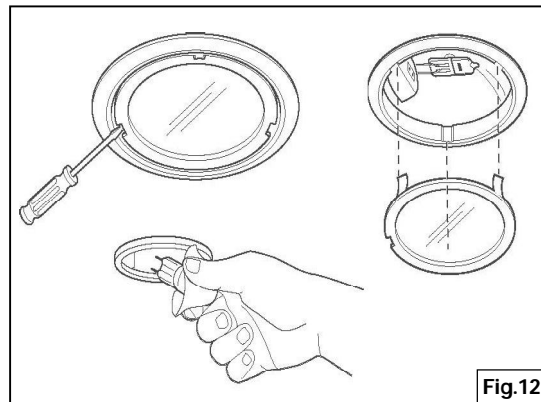
This range hood requires two halogen bulbs (Type T3, 12Volt, 20Watt Max, G-4 Base).

⚠ WARNING: Always switch off the electricity supply before carrying out any operations on the appliance.

1. Open the cover by prying from the proper slots. See Fig. 12.
2. Remove the bulb by pulling sideways. **(DO NOT ROTATE)**

⚠ CAUTION: Bulb may be hot.

3. Replace with Type T3, 12Volt, 20Watt Max, G-4 Base halogen bulb. **Do not touch replacement bulb with bare hands!**



WARRANTY

ONE YEAR LIMITED WARRANTY FOR BEST PRODUCTS

Broan-NuTone LLC (Broan-NuTone) warrants to the original consumer purchaser of Best products that such products will be free from defects in materials or workmanship for a period of one year from the date of original purchase. THERE ARE NO OTHER WARRANTIES, EXPRESS OR IMPLIED, INCLUDING, BUT NOT LIMITED TO, IMPLIED WARRANTIES OR MERCHANT ABILITY OR FITNESS FOR A PARTICULAR PURPOSE.

During this one-year period, Broan-NuTone will, at its option, repair or replace, without charge, any product or part which is found to be defective under normal use and service.

THIS WARRANTY DOES NOT EXTEND TO FLUORESCENT LAMP STARTERS, TUBES, HALOGEN AND INCANDESCENT BULBS, FUSE, FILTERS, DUCTS, ROOF CAPS, WALL CAPS AND OTHER ACCESSORIES FOR DUCTING. This warranty does not cover (a) normal maintenance and service or (b) any products or parts which have been subject to misuse, negligence, accident, improper maintenance or repair (other than by Broan-NuTone), faulty installation or installation contrary to recommended installation instructions.

The duration of any implied warranty is limited to the one-year period as specified for the express warranty. Some states do not allow limitation on how long an implied warranty lasts, so the above limitation may not apply to you.

BROAN-NUTONE'S OBLIGATION TO REPAIR OR REPLACE, AT BROAN-NUTONE'S OPTION, SHALL BE THE PURCHASER'S SOLE AND EXCLUSIVE REMEDY UNDER THIS WARRANTY. BROAN-NUTONE SHALL NOT BE LIABLE FOR INCIDENTAL, CONSEQUENTIAL OR SPECIAL DAMAGES ARISING OUT OF OR IN CONNECTION WITH PRODUCT USE OR PERFORMANCE. Some states do not allow the exclusion or limitation of incidental or consequential damages, so the above limitation or exclusion may not apply to you.

This warranty gives you specific legal rights, and you may also have other rights, which vary from state to state. This warranty supersedes all prior warranties.

To qualify for warranty service, you must (a) notify Broan-NuTone at the address stated below or telephone number stated below, (b) give the model number and part identification and (c) describe the nature of any defect in the product or part. At the time of requesting warranty service, you must present evidence of the original purchase date.

In USA - Best®, 926 W. State Street, Hartford, WI 53027 (800-558-1711)
In Canada - Best®, 550 Lemire Blvd., Drummondville, QC J2C 7W9 (866-737-7770)

www.BestRangeHoods.com

SERVICE PARTS

KEY No.	PART No.	DESCRIPTION
1	B003100148	FRAME - <u>ONLY FOR P195P1M52 MODEL</u>
1	B003100147	FRAME - <u>ONLY FOR P195PM70 MODELS</u>
6	B02011013	SPRING
9	B08087694	GREASE FILTER - <u>ONLY FOR P195P1M52 MODEL</u>
9	B08087527	GREASE FILTER - <u>ONLY FOR P195PM70 MODELS</u>
14	B02300985	CAPACITOR
26	B02300891	LAMP BULB
37	B02300804	HEAT SENSOR
38	B03292357	ELECTRICAL PRINTED CIRCUIT BOARD BOX
39	B03294033	ELECTRICAL PRINTED CIRCUIT BOARD BOX COVER
56	B08092519	6" DUCT CONNECTOR
57	B02011340	6" DAMPER FLAP
56	B08092517	8" DUCT CONNECTOR - <u>ONLY FOR P195P2M70 MODEL</u>
57	B02011341	8" DAMPER FLAP - <u>ONLY FOR P195P2M70 MODEL</u>
62	B08093306	BLOWER BRACKET - <u>ONLY FOR P195P2M70 MODEL</u>
63	BE3251205	UPPER BRACKET
107	B03202287	CABLE STOP
114	B03290499	WIRE GUIDE
115	BE3350233	CABLE CONNECTION BOX
116	BE3334252	CABLE CONNECTION BOX COVER
147	BR2300136	JUNCTION CLAMP
151	B032920200	ELECTRICAL BOX WIRE CLAMP
165	B03295008	ELECTRICAL BOX
166	B08080872	ELECTRICAL PRINTED CIRCUIT BOARD
202	B03292290	REFLECTOR STOP
208	B02300861	TRANSFORMER
343	BE3403940	CLOSURE PANEL - <u>ONLY FOR P195P1M52 MODEL</u>
343	BE3403941	CLOSURE PANEL - <u>ONLY FOR P195PM70 MODELS</u>
472	BE3347852	BRACKET
474	B02300798	HALOGEN LAMP
477	B02011376	PANEL HINGE
998	B08084041	HARDWARE BAG
998	B08084042	PARTS BAG
999	B08084040	INSTALLATION INSTRUCTIONS SET
-	B06108781	ELECTRICAL BOX ASSEMBLY - <u>ONLY FOR P195P1M52 MODEL-</u> (INCLUDING KEY No. 38, 39, 151, 166, 208)
-	B06108782	ELECTRICAL BOX ASSEMBLY - <u>ONLY FOR P195PM70 MODELS-</u> (INCLUDING KEY No. 38, 39, 151, 166, 208)
AQI	B06108780	SWITCH BOX ASSEMBLY (INCLUDING KEY No. 223, 228, 229, 230, 234)
ARU	B080814051	6" DAMPER DUCT CONNECTOR (INCLUDING KEY No. 56, 57)
ARU	B080810849	8" DAMPER DUCT CONNECTOR (INCLUDING KEY No. 56, 57)
CAS	B06002201	BLOWER ASSEMBLY (INCLUDING KEY No. 14, 42, 48, 53, 59, 68, 69)
-	B06143513	ELECTRICAL INSTALLATION ASSEMBLY - <u>ONLY FOR P195P1M52 MODEL-</u> (INCLUDING PART No. B06108780, B06108781)
-	B06143514	ELECTRICAL INSTALLATION ASSEMBLY - <u>ONLY FOR P195PM70 MODELS-</u> (INCLUDING PART No. B06108780, B06108782)

LISEZ ET CONSERVEZ CES INSTRUCTIONS

⚠ POUR USAGE DOMESTIQUE SEULEMENT ⚠

⚡ ⚠ AVERTISSEMENT

AFIN DE RÉDUIRE LES RISQUES D'INCENDIE, D'ÉLECTROCUTION OU DE BLESSURES CORPORELLES, SUIVEZ LES INSTRUCTIONS SUIVANTES :

1. N'utilisez cet appareil que de la façon prévue par le fabricant. Pour d'autres renseignements, contactez le fabricant à l'adresse ou au numéro de téléphone indiqués dans la garantie.
2. Avant de nettoyer ou de réparer l'appareil, coupez le courant au panneau d'alimentation et verrouillez-en l'accès afin d'éviter sa remise en marche accidentelle. Si le panneau d'alimentation ne peut être verrouillé, y fixer un indicateur voyant, par exemple une étiquette de couleur vive.
3. Les travaux d'installation et de raccordement électrique doivent être effectués par du personnel qualifié en respectant les normes et règlements en vigueur, y compris les normes et codes de bâtiment en matière de prévention d'incendie.
4. Une circulation d'air efficace est requise pour assurer la combustion et l'évacuation complète des gaz par la cheminée des équipements à combustion pour prévenir les retours de cheminée. Conformez-vous aux instructions et aux standards de sécurité des fabricants d'équipement de chauffage, tels qu'ils sont publiés par la National Fire Protection Association (NFPA) et l'American Society for Heating, Refrigeration and Air Conditioning Engineers (ASHRAE) ainsi que les responsables des codes locaux.
5. Lorsque vous coupez ou percez un mur ou un plafond, prenez garde de ne pas endommager les fils électriques ou autre installation qui pourraient y être dissimulés.
6. Les conduits de l'installation doivent toujours évacuer l'air à l'extérieur.
7. N'utilisez pas d'autre commande de régime à semi-conducteurs conjointement avec cet appareil.
8. Pour réduire les risques d'incendie, n'utilisez que des conduits en métal.
9. Cet appareil doit être relié à une mise à la terre.

AFIN DE RÉDUIRE LE RISQUE DE FEU DE CUISINIÈRE :

- A. Ne laissez jamais les appareils de cuisson sans surveillance lorsqu'ils sont réglés à feu vif. Les débordements engendrent de la fumée et des déversements graisseux pouvant s'enflammer. Chauffez l'huile lentement, à feu doux ou moyen.
- B. Mettez toujours la hotte en marche lorsque vous cuisinez à feu vif ou que vous cuisinez des mets flambés (par ex. : crêpes Suzette, cerises jubilé, steak au poivre flambé).
- C. Nettoyez régulièrement la roue du ventilateur. Ne laissez pas la graisse s'accumuler sur le ventilateur ou les filtres.
- D. Utilisez le bon format de casserole. Servez-vous toujours d'ustensiles de cuisson appropriés à la dimension de la surface chauffante.

AVERTISSEMENT

AFIN D'ÉVITER TOUS RISQUES DE BLESSURE LORS D'UN FEU DE CUISINIÈRE, OBSERVEZ LES INSTRUCTIONS SUIVANTES* :

1. **ÉTOUFFEZ LES FLAMMES** à l'aide d'un couvercle hermétique, une plaque à biscuits ou un plateau en métal, puis éteignez le brûleur. **ATTENTION DE NE PAS VOUS BRÛLER.** Si les flammes ne s'éteignent pas immédiatement, **SORTEZ ET APPELEZ LES POMPIERS.**
2. **NE PRENEZ JAMAIS EN MAIN UNE POÊLE OU UNE CASSEROLE QUI A PRIS FEU,** vous pourriez vous brûler.
3. **N'UTILISEZ PAS D'EAU,** ni de torchons ou de serviettes mouillés; vous provoqueriez une violente explosion de vapeur.
4. Utilisez un extincteur **SEULEMENT LORSQUE :**
 - A. Vous savez qu'il s'agit d'un extincteur de classe ABC et que vous en connaissez le fonctionnement.
 - B. L'incendie est petit et limité à l'endroit où il a débuté.
 - C. Les pompiers ont été avisés.
 - D. Vous pouvez combattre l'incendie en ayant accès à une sortie de secours.

* Tirées du *Kitchen Fire Safety Tips* publié par la NFPA.

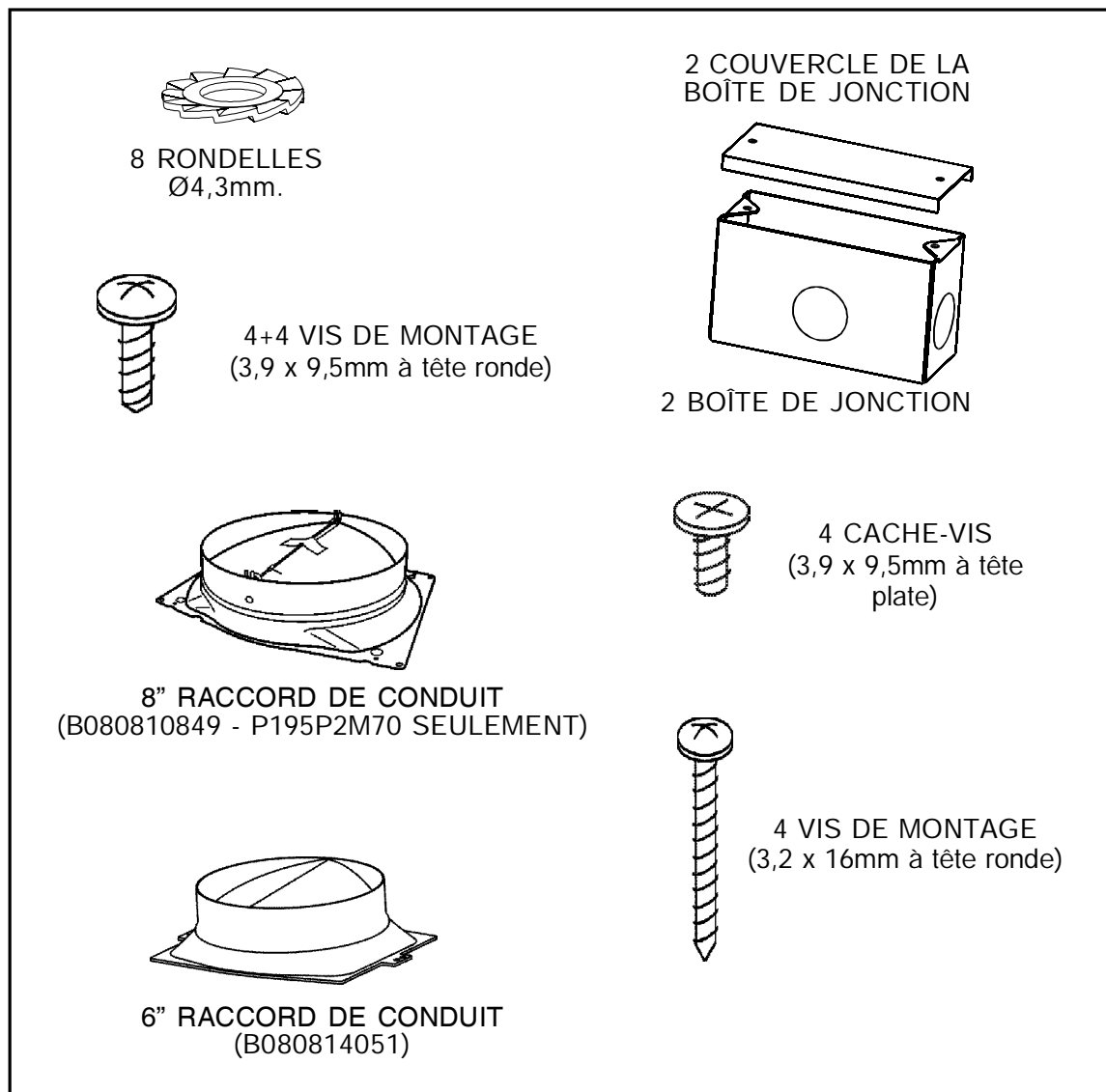
ATTENTION

1. Pour usage intérieur seulement.
2. Afin de réduire les risques d'incendie, assurez-vous d'évacuer l'air à l'extérieur. Ne pas évacuer l'air dans des espaces clos comme l'intérieur des murs ou plafonds ou dans le grenier, vide sanitaire ou garage.
3. Faites attention lorsque vous utilisez des agents nettoyants ou des détergents.
4. Évitez d'utiliser des produits alimentaires pouvant produire des flammes sous la hotte.
5. **N'utilisez cet appareil que pour une ventilation générale. Ne l'utilisez pas pour évacuer des matières ou des vapeurs dangereuses ou explosives.**
6. Pour éviter de causer des dommages au moteur et de rendre les rotors bruyants et/ou non équilibrés, gardez votre appareil à l'abri des poussières de gypse et de construction ou de rénovation, etc.
7. Le moteur de votre ventilateur possède une protection thermique qui l'éteindra automatiquement s'il devient surchauffé. Il redémarrera automatiquement une fois refroidi. Si le moteur continue à s'éteindre et à se remettre en marche, faites vérifier votre hotte.
8. Pour une meilleure évacuation des odeurs de cuisson, le bas de la hotte devrait être à un minimum de 24 po et à un maximum de 30 po au-dessus de la surface de cuisson.
9. Ce produit est doté d'un thermostat pouvant activer automatiquement le ventilateur. Pour réduire le risque de blessures et éviter l'activation accidentelle, coupez le courant depuis le panneau d'alimentation électrique et verrouillez-le ou apposez sur celui-ci une étiquette de couleur vive.
10. Utilisez uniquement avec un ensemble de cordon d'alimentation approuvé.
11. Nous vous recommandons de lire l'étiquette indiquant les caractéristiques de votre appareil pour de plus amples renseignements et exigences.

PRÉPARATION DE LA HOTTE

Retirer la hotte de l'emballage, puis vérifier le contenu.

- 1 - Hotte
- 1 - Sac de visserie (B08084041) comprenant :
 - 4 - Vis de montage (3,2 x 16 mm à tête ronde)
- 1 - Sac de pièces (B08084042) comprenant:
 - 2 - Boîte de jonction
 - 2 - Couvercle de la boîte de jonction
 - 4 - Cache-vis (3,9 x 6 mm à tête plate)
 - 8 - Rondelles
 - 4 - Vis de montage (3,9 x 9,5 mm à tête ronde)
- 1 - Sac de pièces (B080814051) comprenant:
 - 1 - 6" Raccord de conduit (avec clapet antirefoulement)
 - 2 - Vis de montage (3,9 x 9,5 mm à tête ronde)
- 1 - Sac de pièces (B080810849 - P195P2M70 SEULEMENT) comprenant:
 - 1 - 8" Raccord de conduit (avec clapet antirefoulement)
 - 4 - Vis de montage (3,9 x 9,5 mm à tête ronde)
- 1 - Directives d'installation



INSTALLATION DU RACCORD DE CONDUIT DE CONDUIT

1. Installer le raccord de conduit à la hotte à l'aide des vis de montage (3,9 mm x 9,5 mm) comme sur Fig.2.
2. Retirer le ruban situé sur le clapet. Voir Fig.2.

INSTALLATION DE LES BOÎTES DE JONCTION

1. Dans la zone marquée "120 VAC INPUT", placez une boîte de jonction sur le dessus de la hotte. Faire passer les câbles à travers le trou ci-dessous et fixez-le avec (2) 3,9 x 9,5 vis et (2) rondelles. Voir Fig.3-4.
2. Répéter l'opération avec la seconde boîte de jonction dans la zone marquée "Relay Contact (30VRMS, MAX) Connection for Broan Make-up Air Damper Models MD6T/MD8T".

POSE DU CONDUIT

NOTE: Pour réduire le risque d'incendie, n'utiliser que des conduits en métal.

1. Planifier la pose du conduit.
2. Un tracé droit et court permet à la hotte d'être plus efficace.
3. Des conduits longs, des coudes et des transitions réduisent l'efficacité de la hotte. En utiliser le moins possible.
4. Sceller hermétiquement les joints à l'aide de ruban à conduits.

Pour les hottes à évacuation (voir Fig1a):

Installer un capuchon de toit ou de mur. Relier le conduit rond en métal au capuchon, puis acheminer le conduit jusqu'à l'emplacement de votre hotte.

Pour les hottes à recirculation (voir Fig1b):

Installer une grille décorative (non fourni par Best). Vous devrez peut-être acheter une transition ronde en métal à rectangulaire en fonction de votre application.

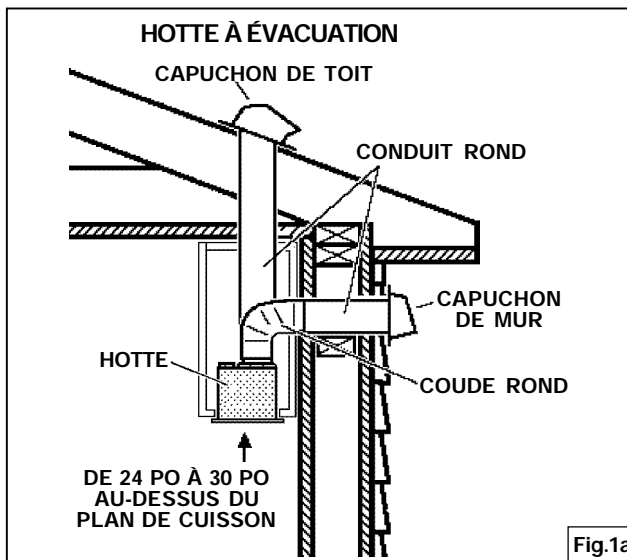


Fig.1a

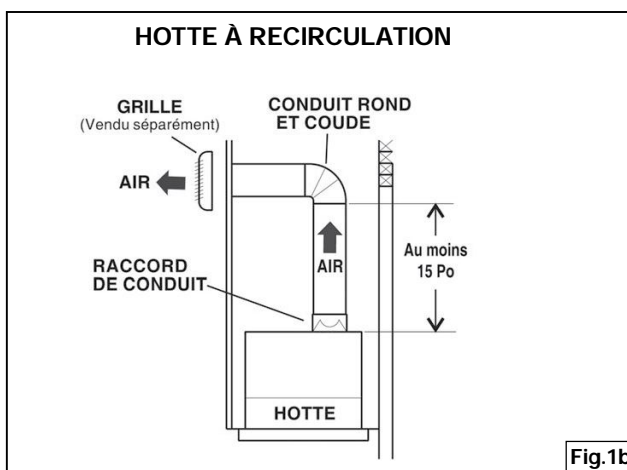


Fig.1b

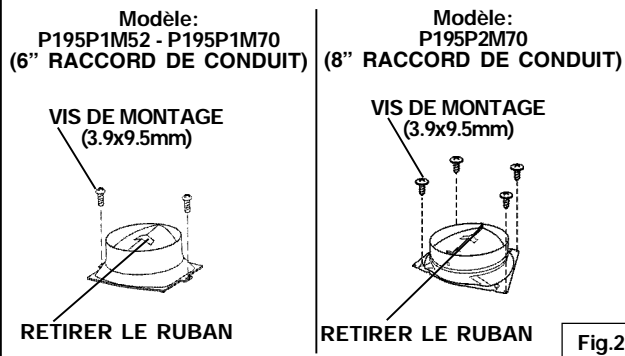


Fig.2

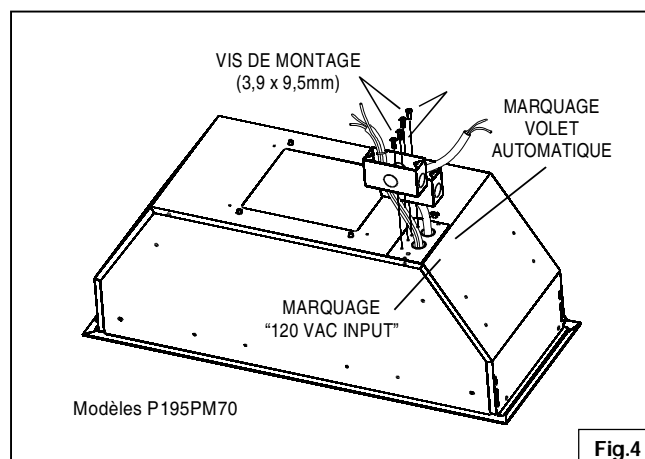


Fig.4

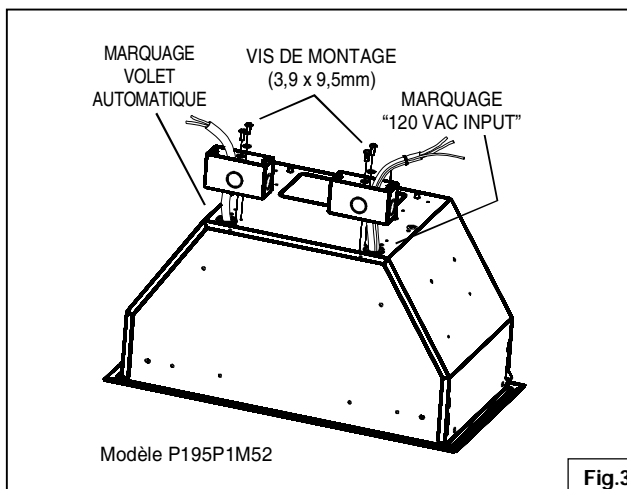


Fig.3

INSTALLATION DE LA HOTTE

1. Découper un trou dans le fonde de l'armoire. Voir Fig.5.
2. Pour installer la hotte, régler la position du ressort de fixation latéral en tournant les vis, selon l'épaisseur du panneau à laquelle il va être ancré. Voir Fig.6
3. Insérer la hotte dans la base de l'armoire et la fixer à l'aide du ressort latéral.
4. Utilisez les trous dans la hotte, fixez-le avec (4) vis de montage (B) - 3.2 x 16mm. Voir Fig.7

Fig.5 DÉCOUPER UN TROU DANS LA BASE DE L'ARMOIRE

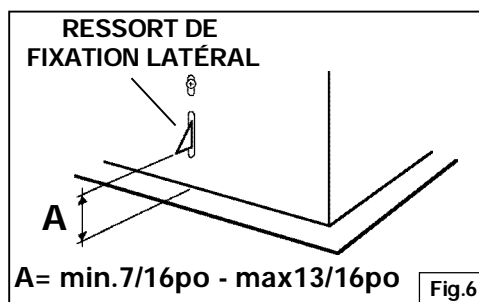
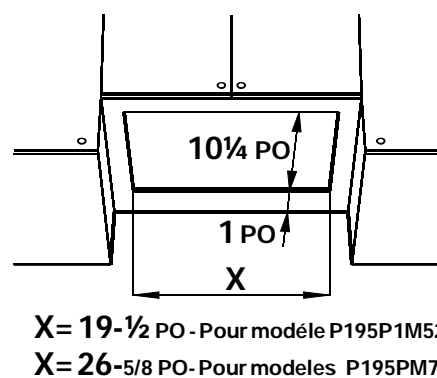
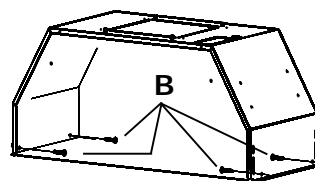
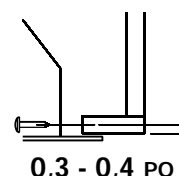


Fig.6

VIS DE MONTAGE (3,2 mm x 16 mm)



2 vis de montage de chaque côté (comme indiqué)



Dimension du bord inférieur de l'armoire à la ligne médiane de la vis/trou

Fig.7

INSTALLATION ÉLECTRIQUE

NOTE : Cette hotte doit être correctement mise à la terre. Les travaux d'électricité doivent être effectués par un électricien qualifié en vertu des normes et des codes nationaux et locaux en vigueur.

• 120 VAC (figure 8)

1. Fixer le conduit à la boîte de jonction par un connecteur de conduit.
2. Effectuer les connexions électriques. Connecter le fil blanc au blanc, noir sur noir et vert avec vert.
3. Installer le couvercle de la boîte de jonction et fixez-le avec (2) vis 3,9 x 6 mm et (2) rondelles. Assurez-vous que les câbles ne sont pas coincés entre le couvercle et la boîte.

• CONNEXION DU CLAPET AUTOMATIQUE (figure 9)

1. Fixer le conduit à la boîte de jonction par un connecteur de conduit.
2. Effectuer les connexions électriques. Connecter le fil noir à l'orange et noir au blanc. Reportez-vous à MD6T/MD8T instruction.
3. Installer le couvercle de la boîte de jonction et fixez-le avec (2) vis 3,9 x 6 mm. et (2) des rondelles. Assurez-vous que les câbles ne sont pas coincés entre le couvercle et la boîte.

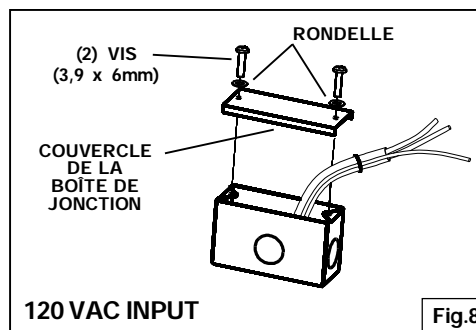


Fig.8

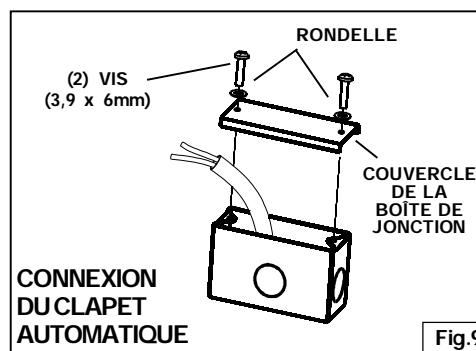


Fig.9

RACCORDEMENT DU CONDUIT

1. Utiliser un conduit rond en métal de 6 ou 8 po pour relier le raccord de conduit sur la hotte au conduit au-dessus.
2. Sceller hermétiquement les joints à l'aide de ruban à conduits.

ENTRETIEN

Filtres à graisses

Les **filtres à graisses** doivent être nettoyés fréquemment. Utiliser une solution d'eau chaude additionnée de détergent. Les filtres à graisses peuvent être lavés au lave-vaisselle.

Pour enlever le filtres à graisses d'abord ouvrir le panneau de fermeture en tirant vers le bas. Voir Fig.10.

Pour enlever le filtre à graisses: à la poignée, poussez vers l'intérieur d'arrêt et retirez les filtres vers le bas. Voir Fig.11.

Nettoyage de votre hotte

L'acier inoxydable est un des matériaux les plus faciles à nettoyer. Un entretien occasionnel contribue à préserver sa belle apparence.

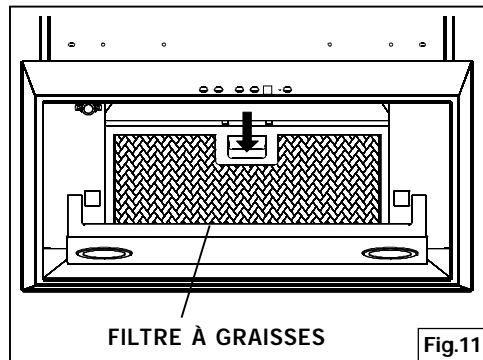
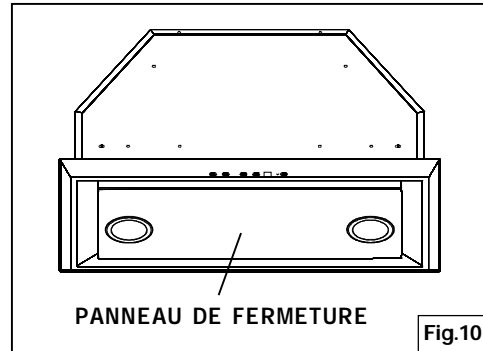
Conseils de nettoyage :

1. De l'eau chaude et du savon ou un détergent est tout ce qui est normalement nécessaire.
2. Rincer à l'eau claire. Essuyer la surface avec un chiffon propre et doux pour éviter les stries.
3. Pour les ternissures ou les dépôts tenaces, utiliser un nettoyant domestique non abrasif ou une poudre à polir l'acier inoxydable avec un peu d'eau et un chiffon doux.
4. Pour la saleté rebelle, utiliser un tampon à récurer en plastique ou une brosse à poils doux avec un nettoyant et de l'eau. Frotter doucement dans le sens des lignes de polissage ou du « grain » de l'acier. Éviter de trop appuyer au risque de gâcher la surface.
5. **NE PAS LAISSER** les dépôts s'accumuler trop longtemps.
6. **NE PAS UTILISER** une laine d'acier ordinaire ou une brosse d'acier. De petites particules d'acier risqueraient d'adhérer à la surface et de la faire rouiller.
7. **NE PAS LAISSER** longtemps en contact avec l'acier inoxydable une solution saline, un désinfectant, de l'eau de Javel ou tout autre produit détachant. Bon nombre de ces nettoyants contiennent des produits chimiques pouvant en altérer la surface. Après l'utilisation du nettoyant, rincer la surface à l'eau, puis l'essuyer avec un chiffon propre.

Nettoyer les surfaces peintes uniquement à l'eau tiède avec un détergent doux.

KIT D'INSTALLATION DE RECIRCULATION (seulement pour l'option sans conduits)

Achat Model Kit filtre à charbon AFCP195P52 pour P195P1M52 ou AFCP195P70 pour P195PM70. Remplacer les filtres tous les 3 mois.



FONCTIONNEMENT

La hotte s'utilise à l'aide des (5) boutons-poussoirs situés sur le devant de la hotte.

Le commutateur **Arrêt lumière** active et désactive les lumières.

Le commutateur **Intensité lumineuse** augmente et diminue le niveau d'éclairage.

Le commutateur **Extinction/vitesse soufflante** permet d'éteindre la soufflante ou de régler sa vitesse sur quatre positions : haute, moyenne-haute, moyenne-basse et basse. Maintenez le bouton enfoncé pendant 2 secondes pour éteindre la soufflante.

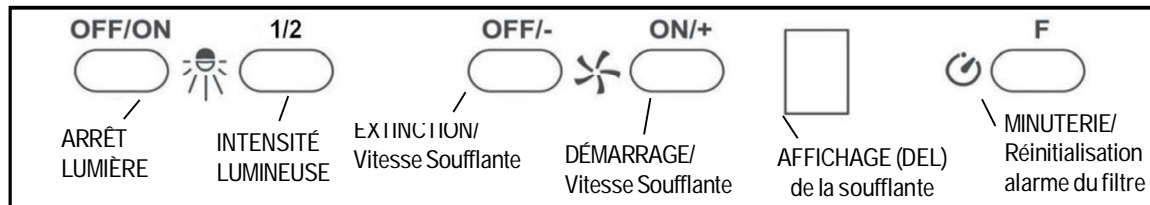
Le commutateur **Démarrage/vitesse soufflante** permet d'allumer la soufflante et de la régler sur quatre vitesses : basse, moyenne-basse, moyenne-haute et haute.

L'affichage DEL:

- Indique une sélection de vitesse du soufflante de 1 (basse) à 4 (haute).
- Clignote la vitesse du ventilateur lorsque le délai d'arrêt de 10 minutes a été activé.
- Après 30 heures de fonctionnement, le segment central de l'affichage clignote et reste allumé, ce qui indique que le filtre doit être nettoyé.

Le commutateur de **Minuterie /Réinitialisation alarme du filtre** active une fonction de temporisation. Quand il est enfoncé, la soufflante continue à fonctionner à la vitesse de réglage actuelle pendant 10 minutes avant de s'éteindre automatiquement.

Le commutateur **Réinitialisation alarme du filtre** permet de réinitialiser la minuterie de 30 heures du filtre. Après avoir nettoyé ou remplacé les filtres, appuyez une fois sur ce commutateur pour réinitialiser l'alarme de nettoyage du filtre.



DÉTECTEUR DE CHALEUR HEAT SENTRY™

Votre hotte est munie d'un détecteur de chaleur HEAT SENTRY™. Il s'agit d'un dispositif qui actionnera ou augmentera la vitesse du ventilateur s'il détecte une chaleur excessive au-dessus de la surface de cuisson.

- 1) Si le ventilateur n'est PAS EN MARCHÉ, il actionnera le ventilateur à haute vitesse.
 - 2) Si le ventilateur est EN MARCHÉ à basse vitesse, le ventilateur passera à haute vitesse.
- Lorsque la température revient à la normale, le ventilateur retourne à sa vitesse d'origine.

AVERTISSEMENT

Le thermostat HEAT SENTRY peut activer la soufflante même si la hotte est ÉTEINTE. Dans ce cas, il est impossible de DÉACTIVER la soufflante avec le commutateur d'arrêt. Si vous devez arrêter la soufflante, faites-le depuis le panneau électrique principal.

AMPOULE HALOGÈNE

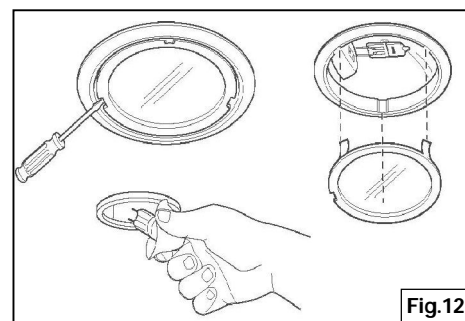
Cette hotte requiert deux ampoules halogènes (Type T3, 12Volt, 20Watt Max, G-4 Base).

⚠ AVERTISSEMENT: Toujours couper l'alimentation électrique avant d'effectuer toute opération sur l'appareil.

1. Ouvrez le couvercle en faisant levier dans les fentes appropriées. Voir Fig. 12.
2. Enlever l'ampoule en tirant latéralement. (TOURNE PAS)

⚠ ATTENTION: L'ampoule peut être chaude.

3. Remplacez-la par Type T3, 12Volt, 20Watt Max, G-4 Base ampoule halogène.



Ne pas toucher l'ampoule de remplacement à mains nues!

GARANTIE

GARANTIE LIMITÉE DE UN AN DE BEST

Broan-NuTone LLC (Broan-NuTone) garantit à l'acheteur original que les produits BEST vendus en vertu de la présente sont libres de tout vice de matériau ou de fabrication pour une période de un an à compter de la date d'achat originale. CETTE GARANTIE NE COMPORTE AUCUNE AUTRE GARANTIE, EXPRESSE OU TACITE, Y COMPRIS, MAIS SANS S'Y LIMITER, LES GARANTIES TACITES DE VALEUR MARCHANDE OU D'ADAPTATION À UN USAGE PARTICULIER.

Durant cette période de un an, Broan-NuTone réparera ou remplacera gratuitement, à sa discrétion, tout produit ou toute pièce jugés défectueux dans des conditions normales d'utilisation.

CETTE GARANTIE NE S'APPLIQUE PAS AUX TUBES FLUORESCENTS ET AUX STARTERS, NI AUX AMPOULES HALOGÈNES OU INCANDESCENTES, FUSIBLE, FILTRES, CONDUITES, CHAPEAUX DE TOIT, CHAPEAUX DE MUR ET AUTRES ACCESSOIRES POUR CANALISATIONS. Cette garantie ne couvre pas (a) les frais d'entretien ou de service normaux ni (b) tout produit ou toute pièce soumis à une utilisation inadéquate, une négligence, un accident, un entretien ou une réparation inadéquats (autres que ceux effectués par Broan-NuTone), une mauvaise installation ou une installation contraire aux instructions recommandées.

La durée de toute garantie tacite est limitée à la période de un an stipulée pour la garantie expresse. Certains États ou provinces ne permettent pas de limites quant à la durée d'une garantie implicite. La restriction susmentionnée peut donc ne pas s'appliquer dans votre cas.

BROAN-NUTONE'S L'OBLIGATION POUR BROAN-NUTONE DE RÉPARER OU DE REMPLACER LE PRODUIT, À SA DISCRÉTION, CONSTITUE LE SEUL RECOURS DE L'ACHETEUR EN VERTU DE CETTE GARANTIE. BROAN-NUTONE NE PEUT PAS ÊTRE TENUE RESPONSABLE DE TOUT DOMMAGE INDIRECT, CONSÉCUTIF OU ACCESSOIRE DÉCOULANT DE L'UTILISATION OU DU RENDEMENT DU PRODUIT. Certains États ou provinces interdisent l'exclusion ou la restriction des dommages indirects ou consécutifs. La restriction susmentionnée peut donc ne pas s'appliquer dans votre cas.

La présente garantie vous confère des droits spécifiques reconnus par la loi. D'autres droits pourraient également vous être accordés selon la législation locale en vigueur. La présente garantie remplace toutes les autres garanties précédentes.

Pour le service sous garantie, vous devez (a) aviser Broan-NuTone à l'une des adresses ou numéros de téléphone mentionnés ci-dessous, (b) indiquer le numéro de modèle et d'identification de la pièce et (c) décrire la défektivité du produit ou de la pièce. Lors d'une réclamation, vous devez présenter une preuve de la date d'achat originale.

In USA - Best®, 926 W. State Street, Hartford, WI 53027 (800-558-1711)
In Canada - Best®, 550 Lemire Blvd., Drummondville, QC J2C 7W9
(866-737-7770)

www.BestRangeHoods.com

LISTE DES PIÈCES DE RECHANGE

N° REPÈRE	N° DE PIÈCE	DESCRIPTION
1	B003100148	GRILLE - <i>SEULEMENT POUR MODELE P195P1M52</i>
1	B003100147	GRILLE - <i>SEULEMENT POUR MODELES P195PM70</i>
6	B02011013	RESSORT
9	B08087694	FILTRE À GRAISSES - <i>SEULEMENT POUR MODELE P195P1M52</i>
9	B08087527	FILTRE À GRAISSES - <i>SEULEMENT POUR MODELES P195PM70</i>
14	B02300985	CONDENSATEUR
26	B02300891	AMPOULE HALOGÈNE
37	B02300804	DÉTECTEUR DE CHALEUR HEAT SENTRY
38	B03292357	BOÎTE DE LA CARTE DE CIRCUIT IMPRIMÉ
39	B03294033	COUVERCLE DU BOÎTIER DE LA CARTE DE CIRCUIT IMPRIMÉ
56	B08092519	6" CONNECTEUR DE CONDUIT
57	B02011340	6" CLAPET ANTI-RETOUR
56	B08092517	8" CONNECTEUR DE CONDUIT - <i>SEULEMENT POUR MODELE P195P2M70</i>
57	B02011341	8" CLAPET ANTI-RETOUR - <i>SEULEMENT POUR MODELE P195P2M70</i>
62	B08093306	SUPPORT CONVOYEUR - <i>SEULEMENT POUR MODELE P195P2M70</i>
63	BE3251205	ETRIER SUPERIEUR
107	B03202287	ARRÊTE CABLE
114	B03290499	SERRE CABLE
115	BE3350233	BOÎTE DE CONNEXION ÉLECTRIQUE
116	BE3334252	COUVERCLE DU BOÎTIER DE CONNEXION ÉLECTRIQUE
147	BR2300136	PINCE DE RACCORDEMENT
151	B032920200	SERRE CABLE BOITE INSTALLATION ELECTRIQUE
165	B03295008	BOÎTIER DE LA CARTE DE CIRCUIT IMPRIMÉ
166	B08080872	CARTE DE CIRCUIT IMPRIMÉ
202	B03292290	SERRE-CABLE REFLECTEUR
208	B02300861	TRANSFORMATEUR
343	BE3403940	PANNEAU DE CLOSURE - <i>SEULEMENT POUR MODELE P195P1M52</i>
343	BE3403941	PANNEAU DE CLOSURE - <i>SEULEMENT POUR MODELES P195PM70</i>
472	BE3347852	ETRIER
474	B02300798	LAMPES HALOGÈNES
477	B02011376	CHARNIÈRE
998	B08084041	SAC DE VISSERIE
998	B08084042	SAC DE PIÈCES
999	B08084040	DOCUMENTATION
-	B06108781	ENSEMBLE DE BOÎTIER ELECTRIQUE - <i>SEULEMENT POUR LE MODELE P195P1M52</i> - (Comprend les repères N° 38, 39, 151, 166, 208)
-	B06108782	ENSEMBLE DE BOÎTIER ELECTRIQUE - <i>SEULEMENT POUR MODELES P195PM70</i> - (Comprend les repères N°. 38, 39, 151, 166, 208)
AQI	B06108780	BLOC COMMANDES (Comprend les repères N° 223, 228, 229, 230, 234)
ARU	B080814051	6 Po. CLAPET CONDUIT RACCORD (Comprend les repères N° 56, 57)
ARU	B080810849	8 Po. CLAPET CONDUIT RACCORD (Comprend les repères N° 56, 57)
CAS	B06002201	BLOC MOTEUR (Comprend les repères N° 14, 42, 48, 53, 59, 68, 69)
-	B06143513	ENSEMBLE D'INSTALLATION ELECTRIQUE - <i>SEULEMENT POUR MODELE P195P1M52</i> - (Comprend les repères N° B06108780, B06108781)
-	B06143514	ENSEMBLE D'INSTALLATION ELECTRIQUE - <i>SEULEMENT POUR MODELES P195PM70</i> - (Comprend les repères N° B06108780, B06108782)

LEA Y CONSERVE ESTAS INSTRUCCIONES

 **INDICADO PARA EL USO EN COCINAS DOMESTICAS** 

  **ADVERTENCIA**

PARA EVITAR EL RIESGO DE INCENDIO, CORTOCIRCUITO O DAÑO PARA LAS PERSONAS, OBSERVE ATENTAMENTE LAS SIGUIENTES NORMAS:

1. Use esta unidad solamente de la manera indicada por el fabricante; si tiene dudas, póngase en contacto con éste a la dirección o teléfono indicados en la garantía.
2. Antes de hacer una revisión o de limpiar la unidad, desconéctela de la red para evitar que se encienda de manera accidental. En el caso de que éste no pueda ser desactivado, se indicará nel panel de servicio.
3. El montaje y la instalación eléctrica debe hacerlos un técnico especializado siguiendo las normas estándar e incluyendo aquellas de construcción anti incendio.
4. Necesita aire suficiente para una apropiada combustión y escape de gases a través del tubo del depósito de quema de combustible. Para evitar que el humo aspirado vuelva a la cocina, siga las directivas del fabricante y las normas estándar de seguridad así como las normas publicadas por la Asociación de prevención de incendios (NFPA) y la Sociedad americana de especialistas en cale-facción, refrigeración y aire acondicionado y además las normas de las autoridades locales.
5. Hacer un corte o un taladro en la pared o en el techo no debe dañar la instalación eléctrica u otras instalaciones ocultas en la pared.
6. Los conductos ventiladores deben siempre desalojar al exterior.
7. No use esta unidad con dispositivo de control de la velocidad a estado sólido.
8. Para evitar el riesgo de incendio, use solamente conductos de metal.
9. Esta unidad tiene que ser conectada a tierra.

PARA EVITAR EL RIESGO DE FUEGO POR ALTO NIVEL DE GRASA:

- A. Nunca abandone los quemadores con el fuego alto. La cocción causa humo y restos de grasa que pueden arder. Caliente el aceite a fuego medio o bajo.
- B. Encienda siempre la campana cuando cocine a fuego alto o cuando cocine alimentos fácilmente inflamables. (por ejemplo Crepes Suzette, Cerezas Jubilee, Ternera flambeada con granos de pimienta).
- C. Limpie con frecuencia los ventiladores. No se debe acumular grasa en el ventilador o en el filtro.
- D. Usa el tamaño de cazuela apropiado. Use siempre utensilios de cocina de tamaño y material adecuados.

  **ADVERTENCIA**

PARA EVITAR EL RIESGO DE DAÑOS A PERSONAS EN CASO DE FUEGO POR ALTO NÍVEL DE GRASA, TENGA EN CUENTA LO SIGUIENTE:*

1. **SOFOQUE LA LLAMA** con una tapadera apropiada, una bandeja metálica ó un utensilio de cocina que pueda cubrirla, despues, apague el quemador. **ACTÚE CON PRECAUCIÓN PARA EVITAR QUEMADURAS.** Si la llama no se extingue inmediatamente, **SALGA Y LLAME A LOS BOMBEROS.**
2. **NUNCA COJA UNA SARTEN EN LLAMAS**, porque corre el riesgo de quemarse.
3. **NO USE AGUA** ni paños o toallas húmidas porque puede provocarse una violenta humareda.
4. Use un extintor **SOLAMENTE** si:
 - A. Posee un extintor de clase ABC y sabe perfectamente cómo usarlo.
 - B. El fuego es pequeño y está controlado en el mismo sitio en que empezó.
 - C. Ha llamado con anterioridad a los bomberos.
 - D. Puede combatir el fuego retrocediendo hacia la salida.

* Basado en "Seguridad antifuego en la cocina" publicado por NFPA.

ADVERTENCIA

1. Para uso en interiores.
2. Para reducir el riesgo de incendios y para evacuar correctamente los humos, asegurarse de haber realizado una conducción del aire hasta el exterior. No expulsar los humos en espacios cerrados por paredes o techos, áticos, espacios angostos o garajes.
3. Prestar la máxima atención al utilizar productos de limpieza o detergentes.
4. Evitar el uso de productos alimentarios que puedan inflamarse bajo la campana.
5. Sólo para ventilación total. No use gases de escape peligrosos o materiales y vapores explosivos.
6. Para evitar daños en el funcionamiento del motor e impulsores ruidosos y/o desequilibrados, mantenga alejados de la unidad de encendido pulverizadores en seco o polvo.
7. El motor tiene un nivel de sobrecarga térmica que apaga automáticamente el motor cuando se ha recalentado excesivamente. El motor se pone de nuevo en funcionamiento cuando la temperatura baja. Si el motor comienza a encenderse y a apagarse, deberá hacer una revisión de éste.
8. Para limpiar mejor las impurezas al cocinar, la distancia entre la parte inferior de la campana y la zona de cocción debe ser mínimo 24" - máximo 30".
9. Este producto está dotado de un termostato que pone en marcha automáticamente el motor. Para reducir el riesgo de daños y evitar que se encienda accidentalmente, colocar el interruptor del panel de servicio en la posición OFF y bloquear el panel de servicio o colocar una advertencia externa como por ejemplo un letrero o una chapita.
10. Use solamente con juego de conexión para alimentación aprobado.
11. Se recomienda leer la placa de características del producto para ulterior información.

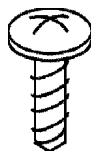
PREPARE LA CAMPANA

Sacar la campana de l'embalaje y controlar el contenido.

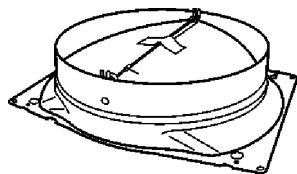
- 1 - Campana
- 1 - Bolsita (B08084041) con:
 - 4 - Tornillos de montaje (3,2 x 16mm cabeza redonda)
- 1 - Parts Bag (B08084042) con:
 - 2 - Caja de conexiones
 - 2 - Tapa de la caja
 - 4 - Tornillo de la tapa (3,9 x 6 cabeza plana)
 - 8 - Arandelas
 - 4 - Tornillos de montaje (3,9 x 9,5mm cabeza redonda)
- 1 - Bolsa de piezas (B080814051) con:
 - 1 - Casquillo (+ Válvula de no retorno)
 - 2 - Mounting Screws (3,9 x 9,5mm cabeza redonda)
- 1 - Bolsa de piezas (B080810849 - P195P2M70 SOLAMENTE) con:
 - 1 - Casquillo (+ Válvula de no retorno)
 - 4 - Mounting Screws (3,9 x 9,5mm cabeza redonda)
- 1 - Instrucciones para instalación



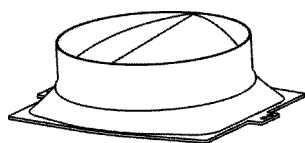
8 ARANDELAS Ø4,3mm



4+4 TORNILLOS DE MONTAJE
(3,9 x 9,5mm Cabeza redonda)

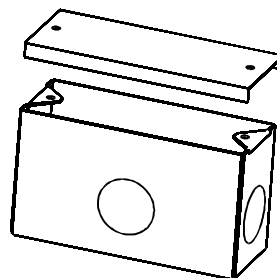


6" CASQUILLO
(B080810849 - P195P2M70 SOLAMENTE)



8" CASQUILLO
(B080814051)

2 TAPA DE LA CAJA



2 CAJA DE CONEXIONES



4 TORNILLO DE LA TAPA
(3,9 x 6mm Cabeza plana)



4 TORNILLOS DE MONTAJE
(3,2 x 16mm Cabeza redonda)

INSTALACION DEL CASQUILLO DE UNION CON EL TUBO

1. Sujete el casquillo de unión en la parte superior de la campana; asegure por medio de tornillos de montaje (3.9x9.5mm) como se muestra en Fig.2
2. Quitar la cinta adhesiva en la válvula.

INSTALACION DE LAS CAJAS DE CONEXIÓN

1. En el área marcada "120 VAC INPUT", coloque una caja de conexiones en la parte superior de la campana. Pase los cables a través del orificio inferior y asegure con (2) 3,9 x9, 5 tornillos y las arandelas (2). Ver Fig.3-4.
2. Repita con la segunda caja de conexiones en el área marcada "Relay Contact (30VRMS, MAX) Connection for Broan Make-up Air Damper Models MD6T/MD8T".

INSTALACION DEL TUBO DE EXTRACCION

NOTA: para evitar el riesgo de incendio, use solamente material de metal.

1. Decida donde va a colocar el tubo de extracción.
2. Un recorrido de tubo corto y recto permitirá a la campana funcionar de manera más eficaz.
3. Los recorridos largos de tubo, codos y manguitos impiden el buen funcionamiento de la campana. Use el menor número de ellos posible.
4. Use una cinta para precintar las juntas entre las partes del entubado.

Versión aspirante (Ver Fig.1a):

Instale una cubierta ó una tapa. Una el tubo de metal a la cubierta y retroceda hasta la posición de la campana.

Versión sin conducto (Ver Fig.1b):

Instale una rejilla decorativa (no suministrado por Best). Puede que tenga que comprar un metal redondo a rectangular transición en función de su aplicación.

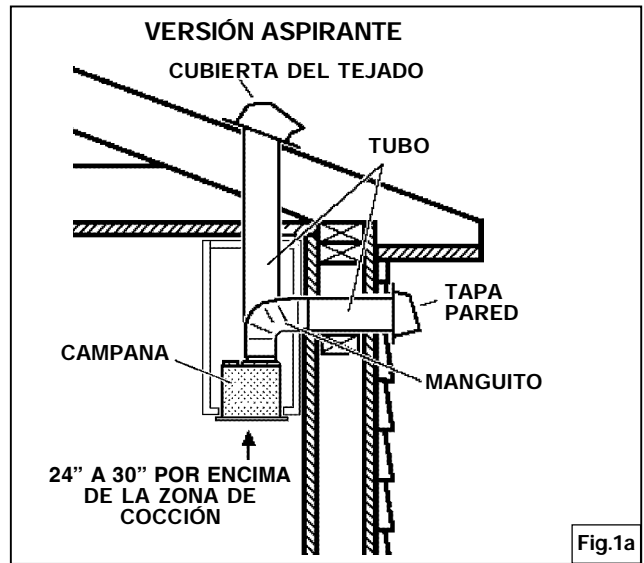


Fig.1a

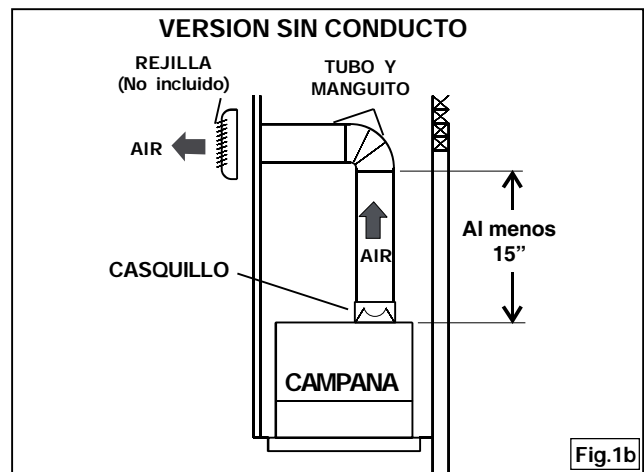


Fig.1b

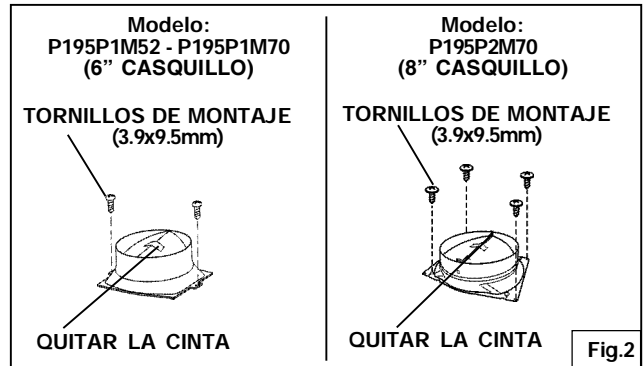


Fig.2

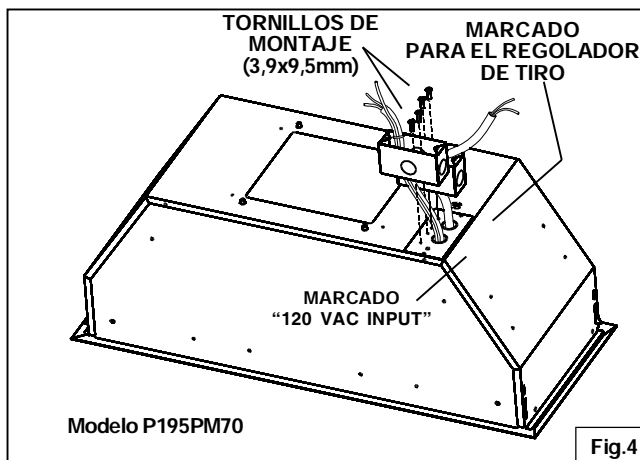


Fig.4

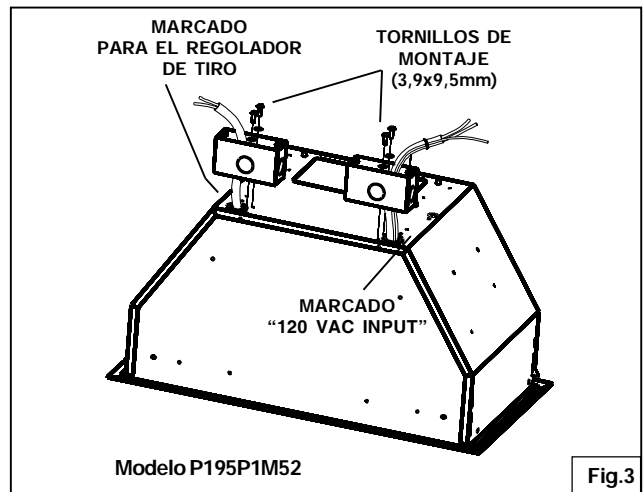
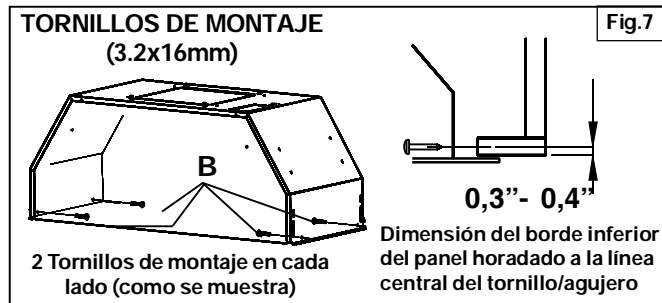
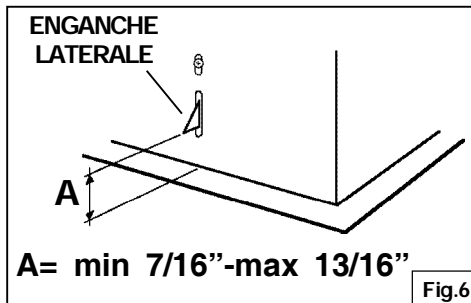
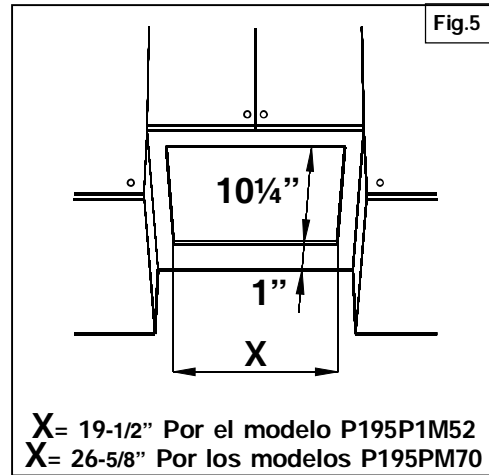


Fig.3

INSTALACION DE LA CAMPANA

1. Hacer en la base del armario la abertura necesaria. Ver Fig.5
2. Para instalar la campana, regular la posición del enganche lateral por medio de los tornillos destinados a este propósito, considerando el espesor del panel horadado sobre el que se fijará el aparato. Ver Fig.6
3. Introducir la campana en lo armario y bloquearlo por medio del enganche lateral.
4. Utilizar los agujeros de la campana, fijarla definitivamente por medio de 6 tornillos de montaje (B) - 3.2x16mm).

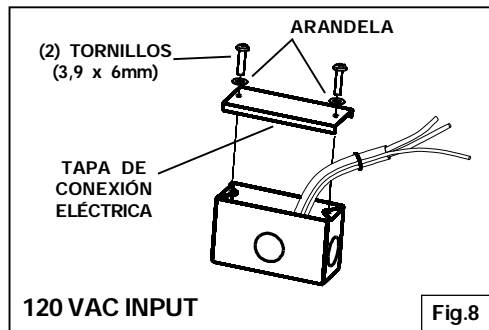


INSTALACION ELECTRICA

Nota: Este tipo de campana tiene que ser conectada a tierra cuidadosamente. La unidad debe instalarla un técnico electricista siguiendo las normas nacionales y locales.

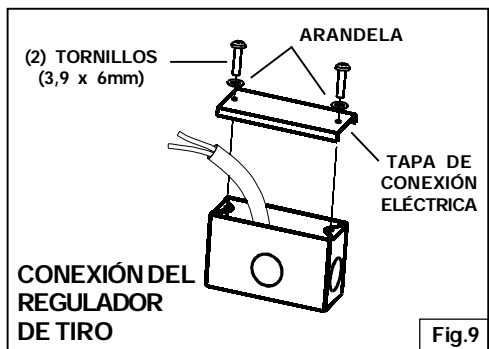
120 VCA INPUT (Fig. 8)

1. Asegure el conducto a la caja de conexiones a través de un conector de conducto.
2. Haga las conexiones eléctricas. Conecte blanco con blanco, negro con negro y verde con verde.
3. Instalar la tapa de conexión, asegurarlo con (2) tornillos de 3,9 x 6 mm y las arandelas (2). Compruebe que los cables no queden pillados.



CONEXIÓN DE DEL REGULADOR DE TIRO (Fig.9)

1. Asegure el conducto a la caja de conexiones a través de un conector de conducto.
2. Haga las conexiones eléctricas. Conecte negro con naranja y negro con blanco.
3. Instalar la tapa de conexión, asegurarlo con (2) tornillos de 3,9 x 6 mm y las arandelas (2). Compruebe que los cables no queden pillados.



ENTUBADO DE CANALIZACION

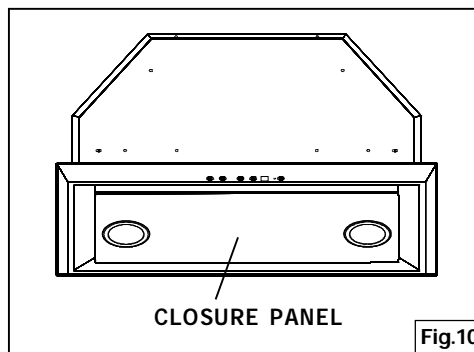
1. Use un **tubo de metal** de 6" o 8" de diámetro unir el casquillo que se encuentra encima de la campana al tubo de extracción situado arriba.
2. Use **cinta** para ajustar todas las juntas y que quede hermético.

MANTENIMIENTO

Filtros anti-grasa

Los **filtros anti-grasa** deben limpiarse a menudo. Use un detergente que no sea fuerte. Los filtros antigrasa se pueden meter en el lavavajillas.

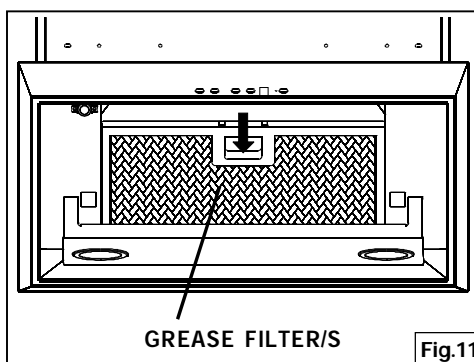
Para extraer los **filtros anti-grasa** abrir primero el panel de cierre tirando hacia abajo. Ver Fig. 10. Para quitar los **filtros anti-grasa**: desde el mango, empuje adentro y tire de los filtros hacia abajo. Ver Fig. 11.



Limpieza de la campana

El acero inoxidable es uno de los materiales más fáciles de limpiar, pero sería aconsejable un especial cuidado en su uso para mantenerla en buen estado. La campana se puede limpiar de las siguientes maneras:

- | Agua caliente con jabón o detergente es la mejor manera para limpiarla.
- | Aclárela con agua corriente, séquela con un paño suave y limpio para evitar las huellas que deja el agua.
- | Para las manchas o restos de grasa que persistan, use un producto químico doméstico que no raye ó un limpiador para acero inoxidable con un paño suave.
- | Si las manchas persisten, use un estropajo y un cepillo de cerdas suaves con un producto limpiador y agua. Frote suavemente en el sentido del pulido o de las “vetas” del remate del inoxidable. No apriete demasiado porque podría dañar la superficie.
- | **No deje** que las manchas se acumulen durante mucho tiempo.
- | **No use** utensilios o cepillos de acero. Pequeñas partículas de acero pueden adherirse y oxidarse.
- | **No use** soluciones salinas, desinfectantes, lejías, o productos de limpieza que permanezcan en contacto con el acero inoxidable durante largos periodos de tiempo. Muchos de estos productos contienen componentes químicos que podrían resultar nocivos. Aclare con agua y seque con un paño limpio.



Las superficies lacadas deben limpiarse solamente con agua tibia y detergente no muy fuerte.

INSTALACION DEL KIT RECIRCULACION (Opción únicamente sin conducto)

Compre un juego de filtros Modelo AFCP195P52 por el modelo P195P1M52 o AFCP195P70 por los modelos P195PM70 a su proveedor. Sustituya los filtros cada 3 meses.

FUNCIONAMIENTO

La campana se opera mediante los 5 botones pulsadores que se encuentran en el frontal de la campana.

El interruptor de **apagado de la luz** se enciende y apaga las luces.

El interruptor de **intensidad de la luz** aumenta y disminuye el nivel de iluminación.

El interruptor de **apagado/velocidad del ventilador** apaga el ventilador y cambia su velocidad a cuatro ajustes: alta, mediana-alta, mediana-baja y baja. Para apagar el ventilador, apriete el botón sin aflojarlo durante 2 segundos.

El interruptor de **encendido/velocidad del ventilador** enciende el ventilador en cuatro ajustes de velocidad: baja, mediana-baja, mediana-alta y alta.

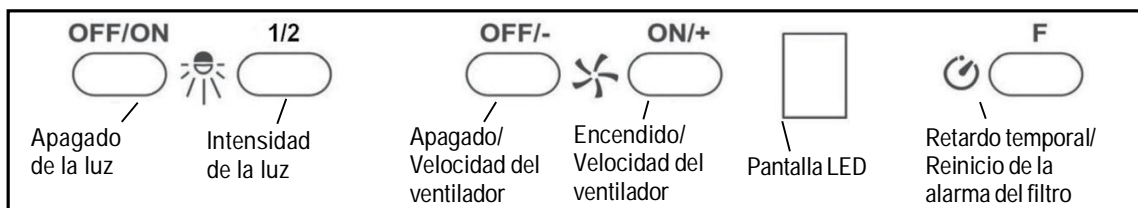
La **pantalla LED**:

- Indica la selección de la velocidad del ventilador: desde 1 (velocidad baja) hasta 4 (velocidad alta).
- La velocidad del ventilador aparece intermitente en la pantalla una vez que se activa el apagado demorado de 10 minutos.

- Después de 30 horas de funcionamiento, el segmento central de la pantalla destellará y permanecerá encendido; esto indica que es necesario limpiar los filtros.

El interruptor de **retardo temporal** activa la función de apagado demorado. Al apretarlo, el ventilador continuará funcionando a la velocidad presente durante 10 minutos antes de apagarse automáticamente.

El interruptor de **reiniciode alarma del filtro** sirve para reiniciar el temporizador de 30 horas del filtro. Después de limpiar o cambiar los filtros, apriete este interruptor una vez para reiniciar la alarma del filtro limpio.



HEAT SENTRYMR

Su campana esta equipada con termostato HEAT SENTRYMR. Este termostato tiene un mecanismo que se encenderá acelerará el ventilador si se detecta un calor excesivo encima de la cocina.

1) Si el ventilador esta apagando - el se prenderá a una velocidad máxima.

2) Si el ventilador esta encendido a una velocidad minima - el se prenderá a una velocidad máxima.

Cuando la temperatura disminuye a un nivel normal, el ventilador vuelve a la función de origen.

AVERTENCIA

El HEAT SENTRYmr termostato puede comenzar a funcionar al igual si la campana esta parada. En este caso, es imposible parar el ventilador con los interruptores. Si usted para la campana, halago a partir del panel eléctrico principal.

LAMPARAS HALOGENAS

Este tipo de campana necesita dos (2) lámparas halógenas (Tipo T3, 12Volt, 20Watt max, G-4 Base).

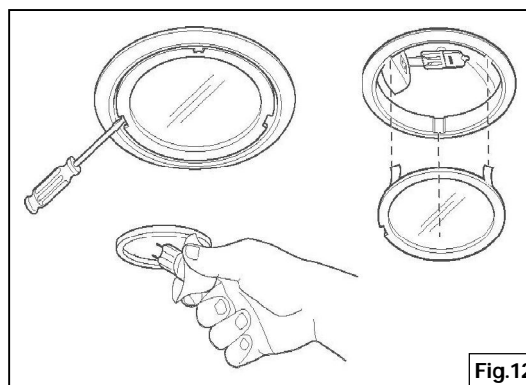
⚠ ATENCIÓN: antes de proceder a cualquier operación, es necesario desco-nectar el aparato.

Para cambiar las lámparas:

1. Abra la tapa haciendo palanca sobre las hendiduras apropiadas. Fig. 12.

2. Quite la bombilla tirando de los lados. **(NO LA GIRE).**

⚠ ATENCIÓN: las lámparas pueden estar calientes.



3. Sustituir con lámparas del mismo tipo (T3, 12Volt, 20Watt max, G-4 base). No toque la lámpara de repuesto con las manos desnudas.

GARANTIA

GARANTIA BEST POR UN AÑO

Broan-NuTone LLC (Broan-NuTone) garantiza al consumidor-comprador de sus productos BEST que dichos productos no tendrán defectos en los materiales o fabricación, durante un periodo de un año a partir de la fecha de la compra. NO HAY OTRO TIPO DE GARANTIAS QUE INCLUYAN O SE LIMITEN EXCLUSIVAMENTE A GARANTIAS IMPLICITAS O DE CAPACIDAD COMERCIAL O CONVENIENCIA PARA UN PROPOSITO ESPECIFICO.

Durante el periodo de un año, Broan-NuTone, si lo estima conveniente, reparará o reemplazará sin gastos para el usuario cualquier producto o parte de éste que sea defectuosos habiéndose usado correctamente.

ESTA GARANTIA NO CUBRE: ESTARTER DE NEON, NEON, LÁMPARAS HALÒGENAS, LÁMPARAS DE ILUMINACIÓN, FUSIBLE, FILTROS, CONDUCTOS, TAPAS DE TECHO, TAPAS DE PARED Y OTROS ACCESORIOS PARA LOS CONDUCTOS. Tampoco cubre el mantenimiento ni los productos o partes de éstos que hayan sido usados de forma incorrecta, con negligencia, rotos accidentalmente o por una incorrecta manutención ó reparación (distinta da la realizada por Broan-NuTone), montaje incorrecto ó instalación que no se ajuste a las instrucciones de montaje indicadas.

Le duración de la garantía se limita al periodo de un año como está especificado en la garantía explicita. Algunos países no permiten un limite en la duración de la garantía implicita; si es así en su caso, esta limitación arriba indicada podría no aplicarse.

LA PRESENTE GARANTIA CUBRIRA EXCLUSIVAMENTE AL COMPRADOR LOS SERVICIOS DESCRITOS ANTERIORMENTE. BROAN-NUTONE NO SE HACE RESPONSABLE DE DANOS PRODUCIDOS DE MANERA ACCIDENTAL O RELACIONADOS CON EL USO INCORRECTO DEL PRODUCTO O SU FUNCIONAMIENTO.

Algunos países no permiten la exclusión o limitación de los daños producidos de manera accidental, si es así en su caso, esta limitación arriba indicada podría no aplicarse. Esta garantía le da derechos legales específicos y podría también disponer de otros derechos que varían de país a país.

Esta garantía supera otras garantías dadas con anterioridad. Para disfrutar de la garantía usted deberá (a) Avisar a la dirección abajo indicada ó bien llamar por teléfono (b) Dar el número de serie del modelo correspondiente o bien una descripción de la parte averiada, (c) Descripción del defecto en el producto o bien en una de sus partes. Para requerir un servicio en garantía debe presentar el justificante con la fecha de la compra.

In USA - Best®, 926 W. State Street, Hartford, WI 53027 (800-558-1711)
In Canada - Best®, 550 Lemire Blvd., Drummondville, QC J2C 7W9
(866-737-7770)

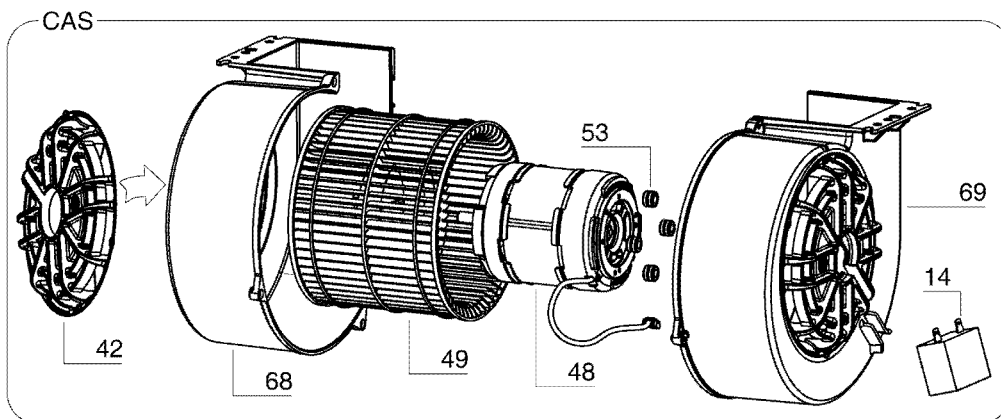
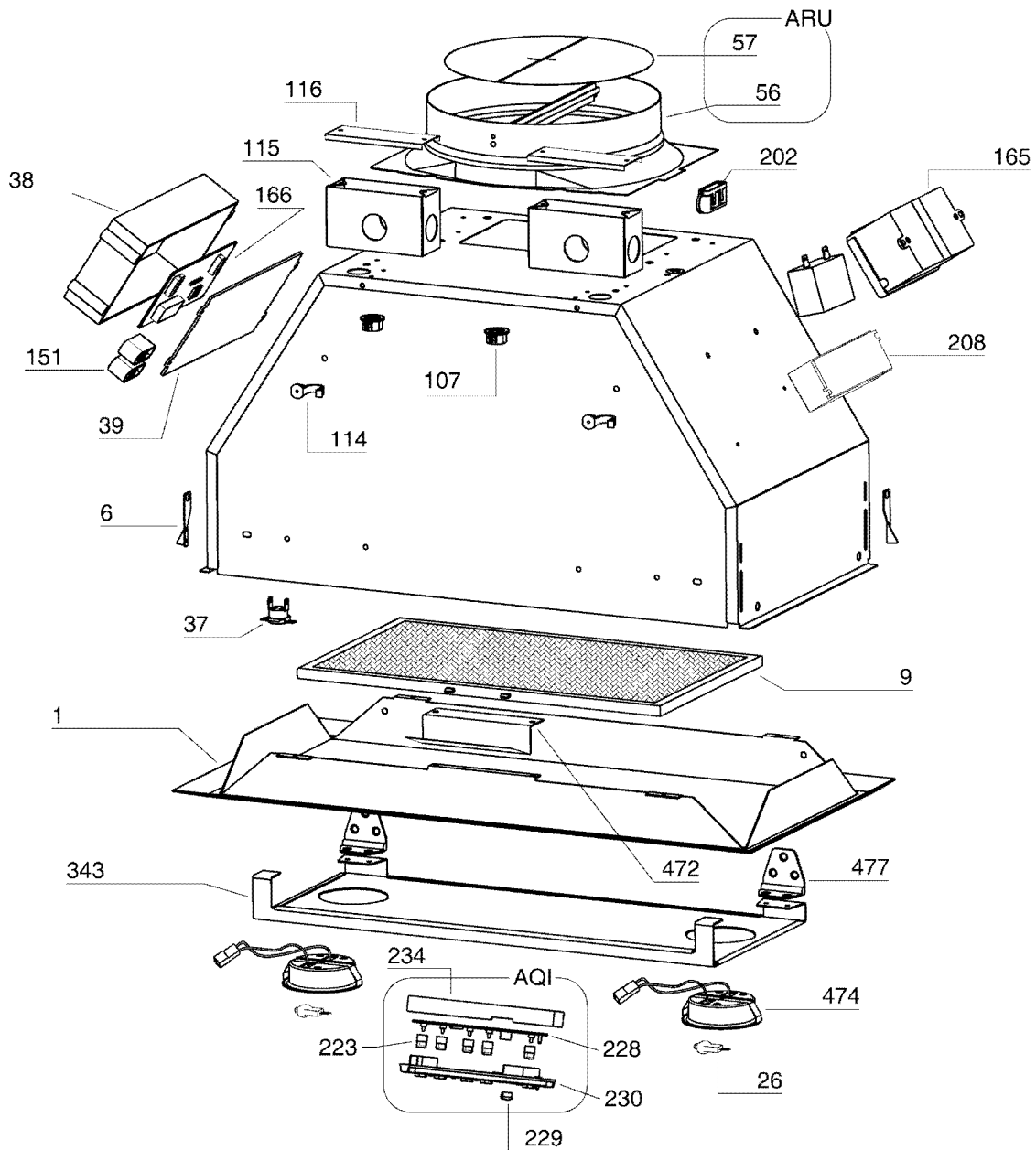
www.BestRangeHoods.com

PIEZAS DE SERVICIO

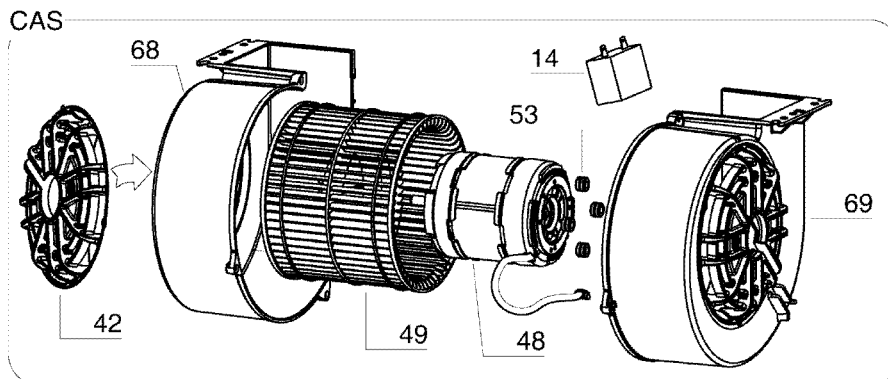
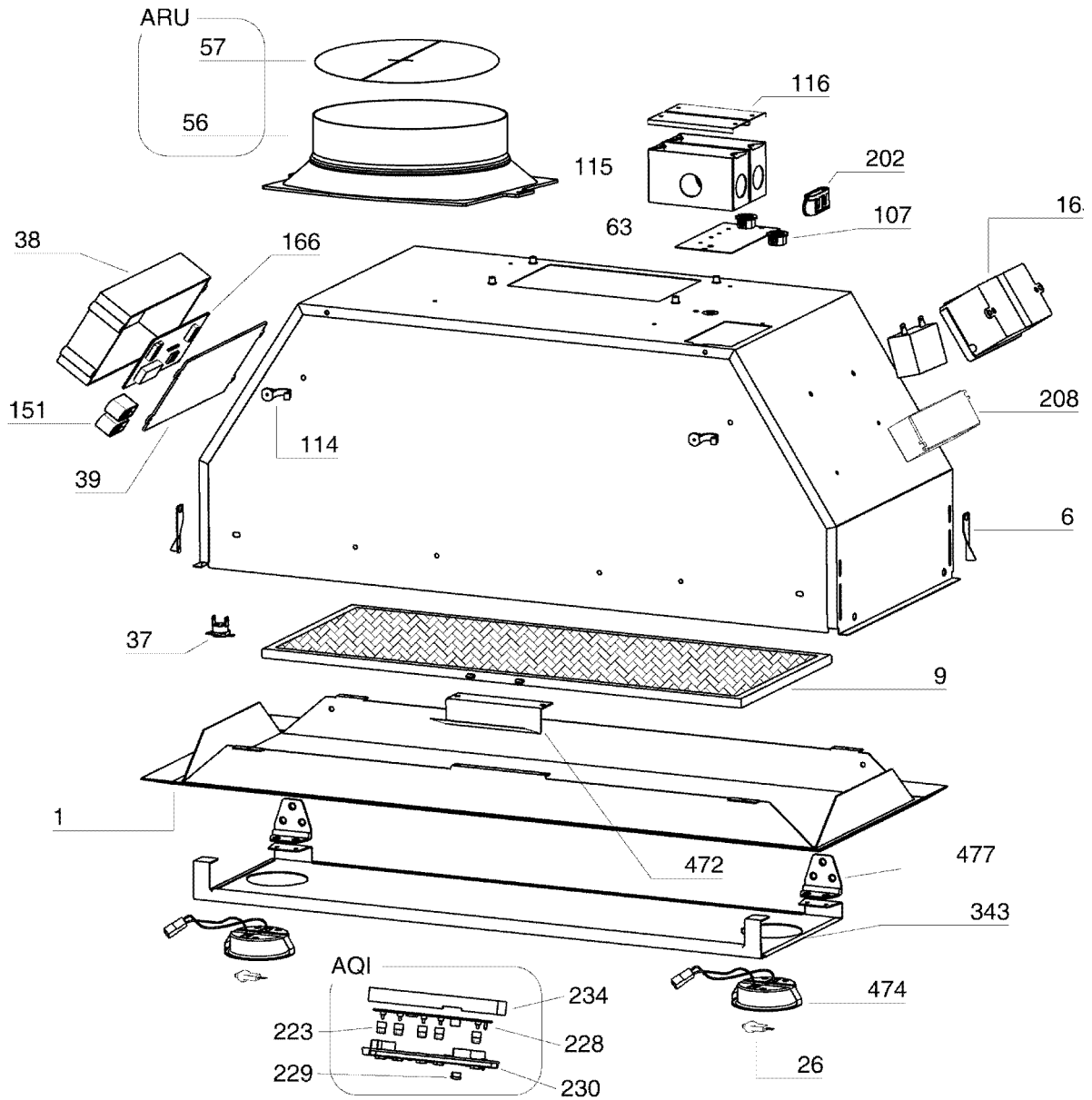
CLAVE N°	PIEZA N°	DESCRIPCIÓN
1	B003100148	MARCO - <u>SÓLO PARA EL MODELO P195P1M52</u>
1	B003100147	MARCO - <u>SÓLO PARA LOS MODELOS P195PM70</u>
6	B02011013	RESSORT
9	B08087694	FILTRO ANTIGRASA - <u>SÓLO PARA EL MODELO P195P1M52</u>
9	B08087527	GREASE FILTER - <u>SÓLO PARA LOS MODELOS P195PM70</u>
14	B02300985	CONDENSADOR
26	B02300891	LÁMPARA HALÓGENA
37	B02300804	SENSOR DE TEMPERATURA
38	B03292357	CAJA DE INSTALACIÓN ELÉCTRICA
39	B03294033	TAPA DE LA CAJA BASE DE INSTALACIÓN ELÉCTRICA
56	B08092519	6" CONEXIÓN DE SALIDA DE AIRE
57	B02011340	6" ALETA DEL REGULADOR DE TIRO
56	B08092517	8" CONEXIÓN DE SALIDA DE AIRE - <u>SÓLO PARA EL MODELO P195P2M70</u>
57	B02011341	8" ALETA DEL REGULADOR DE TIRO - <u>SÓLO PARA EL MODELO P195P2M70</u>
62	B08093306	SOPORTE DEL VENTILADOR - <u>SÓLO PARA EL MODELO P195P2M70</u>
63	BE3251205	SOPORTE SUPERIOR
107	B03202287	TOPE DE CABLES
114	B03290499	ALAMBRE GUÍE
115	BE3350233	CAJA DE CONEXIÓN DEL CABLE DE ALIMENTACIÓN
116	BE3334252	CUBIERTA DE LA CAJA DE CONEXIÓN DEL CABLE DE ALIMENTACIÓN
147	BR2300136	TERMINAL
151	B032920200	CAJA ELÉCTRICA ABRAZADERA DE CABLE
165	B03295008	CAJA ELÉCTRICA
166	B08080872	TABLERO DE CIRCUITOS IMPRESOS
202	B03292290	REFLECTOR DE PARADA
208	B02300861	TRANSFORMADOR
343	BE3403940	PANEL DE CIERRE - <u>SÓLO PARA EL MODELO P195P1M52</u>
343	BE3403941	PANEL DE CIERRE - <u>SÓLO PARA LOS MODELOS P195PM70</u>
472	BE3347852	SOPORTE
474	B02300798	LÁMPARA DE HALÓGENO
477	B02011376	BISAGRA
998	B08084041	JUEGO DE UNIONES
998	B08084042	JUEGO DE PIEZAS
999	B08084040	JUEGO DE INSTRUCCIONES PARA INSTALACIÓN
-	B06108781	CONJUNTO DE LA CAJA DE INSTALACIÓN ELÉCTRICA - <u>SÓLO PARA EL MODELO P195P1M52</u> - (INCLUYE LAS CLAVES N° 38, 39, 151, 166, 208)
-	B06108782	CONJUNTO DE LA CAJA DE INSTALACIÓN ELÉCTRICA - <u>SÓLO PARA LOS MODELOS P195PM70</u> - (INCLUYE LAS CLAVES N° 38, 39, 151, 166, 208)
AQI	B06108780	CONJUNTO DE LA CAJA DE INTERRUPTORES (INCLUYE LAS CLAVES N° 223, 228, 229, 230, 234)
ARU	B080814051	CONJUNTO CASQUILLO DE 6" (INCLUYE LAS CLAVES N° 56, 57)
ARU	B080810849	CONJUNTO CASQUILLO DE 8" (INCLUYE LAS CLAVES N° 56, 57)
CAS	B06002201	CONJUNTO DEL VENTILADOR (INCLUYE LAS CLAVES N° 14, 42, 48, 53, 59, 68, 69)
-	B06143513	CONJUNTO DE INSTALACIÓN ELÉCTRICA - <u>SÓLO PARA EL MODELO P195P1M52</u> - (INCLUYE LAS CLAVES N° B06108780, B06108781)
-	B06143514	CONJUNTO DE INSTALACIÓN ELÉCTRICA - <u>SÓLO PARA LOS MODELOS P195PM70</u> - (INCLUYE LAS CLAVES N° B06108780, B06108782)

SEVICE PARTS - PIÈCES DE RECHANGE - PIEZAS DE SERVICIO

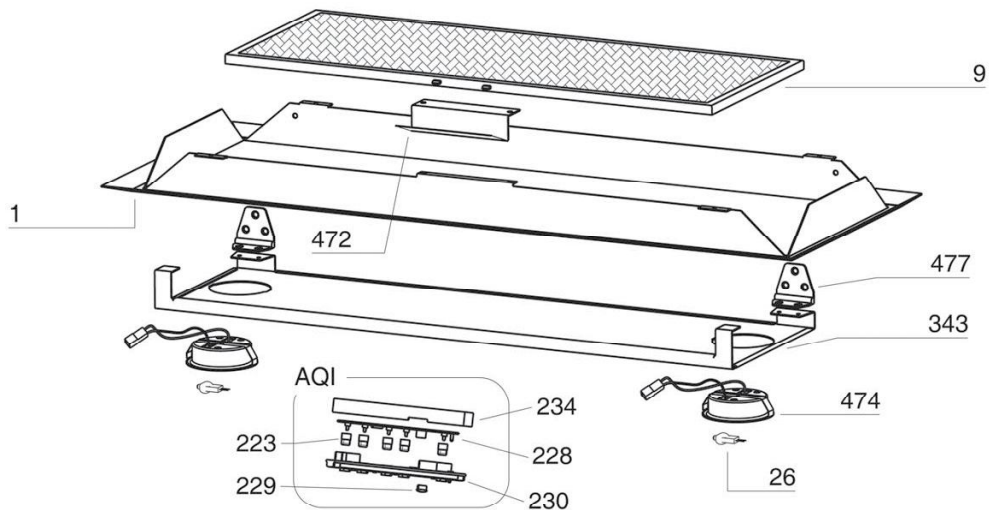
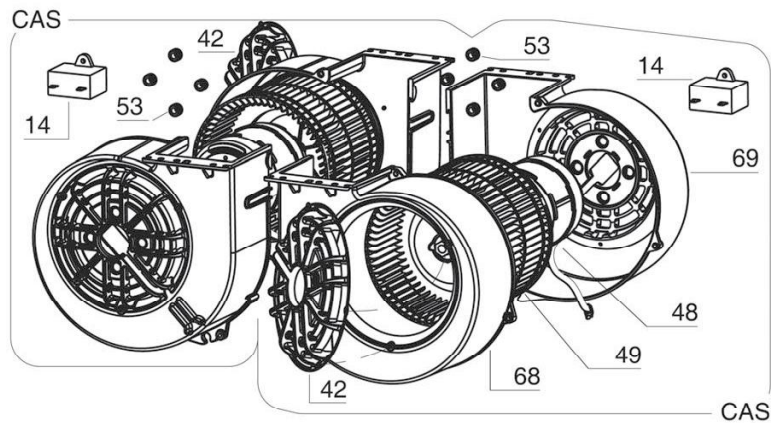
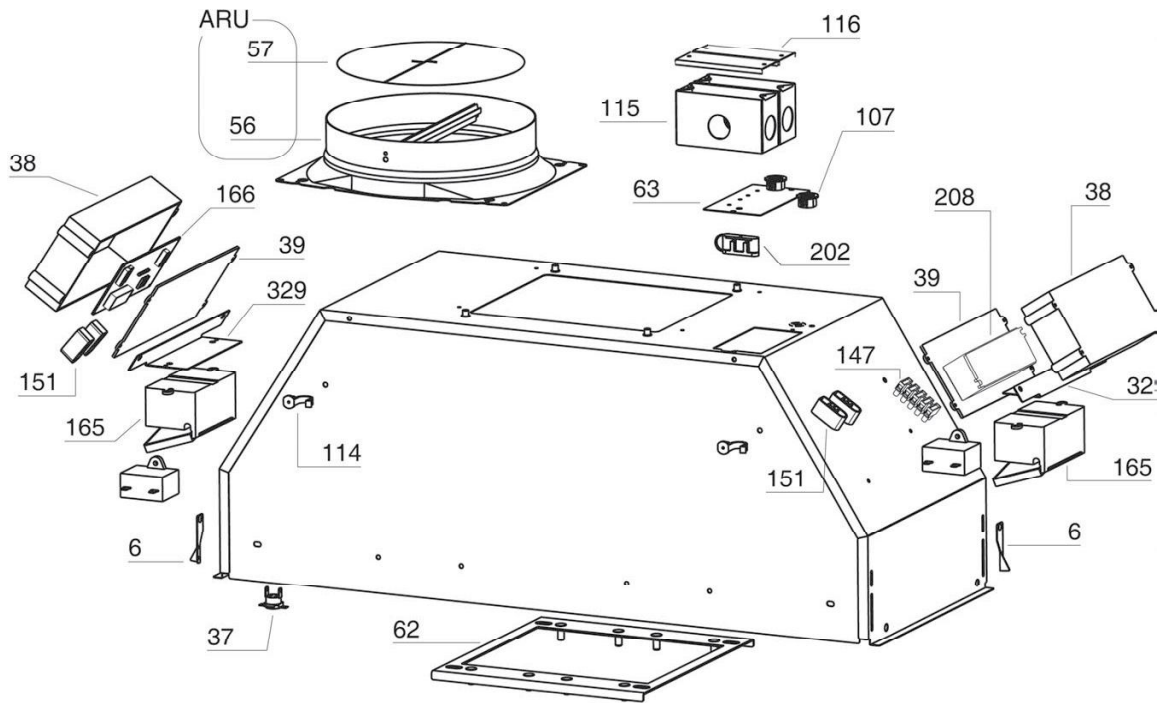
Model - Modèle - Modelo P195P1M52



SEVICE PARTS - PIÈCES DE RECHANGE - PIEZAS DE SERVICIO
Model - Modèle - Modelo P195P1M70



SEVICE PARTS - PIÈCES DE RECHANGE - PIEZAS DE SERVICIO
Model - Modèle - Modelo P195P2M70



04302501/4
99045018C