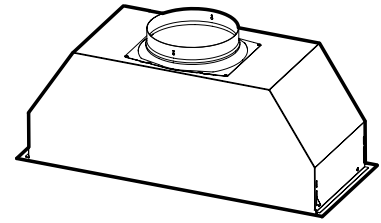


# P195P SERIES POWER PACK



Best quality design and craftsmanship in a unit that mounts flush with the bottom of cabinets or in a custom hood.

### FEATURES

- Italian design
- Cabinet mount – custom applications
- Finish: 430 Stainless Steel (0.050" thick)
- Widths: 21-3/16", 28-9/16"
- 8" round duct connector/back-draft damper
- Convertible to recirculating mode with filter kit sold separately (excluding Model P195P2M70)
- Perimeter Aspiration
  - Decorative hinged panel
  - Higher velocity around perimeter
- Halogen lighting (2 bulbs included. Type T3, 12 volt, 20 watts max., G4 base)
- Electronic, push button controls:
  - 4 speeds
  - 10-min. delay off
  - 30-hr. filter clean indicator
  - Lights
- Pro 600 blower (Models P195P1M52, P195P1M70)
- Pro 1200 blower (Model P195P2M70)
- Heat Sentry™ - automatically turns blower to high speed when excess cooking heat is detected
- For indoor use only

### OPTIONS

- Recirculating filters (AFCP195P52, AFCP195P70)
- Stainless liner (L5230, L7036, L7048)
- Ambient light panels (ALP30, ALP36, ALP48)
- Remote control (ACR1)
- Make-up air dampers (MD6T, MD8T)

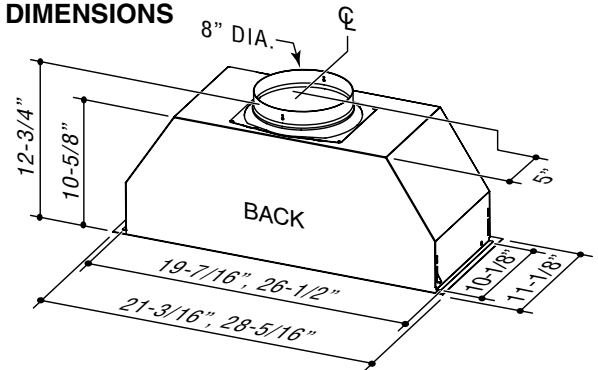


HVI-2100 CERTIFIED RATINGS comply with new testing technologies and procedures prescribed by the Home Ventilating Institute, for off-the-shelf products, as they are available to consumers. Product performance is rated at 0.1 in. static pressure, based on tests conducted in a state-of-the-art test laboratory. Sones are a measure of humanly-perceived loudness, based on laboratory measurements.

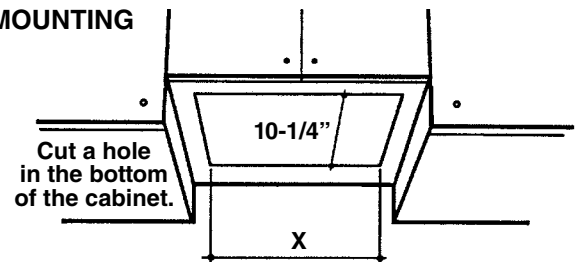


BEST Hartford, Wisconsin [www.BestRangeHoods.com](http://www.BestRangeHoods.com) 800-558-1711  
 BEST Drummondville, QC, Canada [www.BestRangeHoods.com](http://www.BestRangeHoods.com) 866-737-7770

### DIMENSIONS



### MOUNTING



X = 19-1/2" for P195P1M52  
 X = 26-5/8" for P195P1M70, P195P2M70

Mount power pack so bottom is 24" to 30" over cooking surface.  
 Custom metal liner may be required – contact local building authority.

### SPECIFICATIONS

MODEL	VOLTS	CFM (High / Working Speed)	SONES (High / Working Speed)	AMPS
P195P1M52	120	530 / 190	8.5 / 1.1	3.4
P195P1M70	120	550 / 200	8.0 / 1.0	3.4
P195P2M70	120	800 / 310	12.0 / 2.0	5.4

REFERENCE	QTY.	REMARKS	Project
			Location
			Architect
			Engineer
			Contractor
			Submitted by <span style="float: right;">Date</span>