



36" Induction Freestanding Range

Induction Range

Available Products: PCFI3670AF

Available Colors: Stainless Steel

Version: 08/22

Product Specifications

Cooktop

| | |
|-----------------------------|----------------|
| Bridge Element Location | Right and Left |
| Cooking Surface Type | Smooth |
| Hot-Surface Indicator Light | Yes |

Cooking Controls

| | |
|---------------------|-----|
| Bake | Yes |
| Bread Proof | Yes |
| Broil | Yes |
| Child Lock | Yes |
| Convection Bake | Yes |
| Convection Roast | Yes |
| Cook Time | Yes |
| Delay Clean | Yes |
| Delay Start | Yes |
| Keep Warm | Yes |
| Kitchen Timer | Yes |
| Probe | Yes |
| Steam Clean | Yes |
| Temperature Display | Yes |

Controls

| | |
|--------------|-----|
| Sabbath Mode | Yes |
|--------------|-----|

Dimensions and Volume

| | |
|--------------------------|-------------|
| Width | 35 15/16" |
| Depth | 24 13/16" |
| Depth With Door 90° Open | 43 15/16" |
| Depth With Handle | 27" |
| Oven Interior Height | 14 1/2" |
| Oven Interior Width | 28 1/4" |
| Oven Interior Depth | 16 1/2" |
| Minimum Height | 35 3/16" |
| Maximum Height | 36 3/16" |
| Oven Capacity | 4.4 Cu. Ft. |

Installation

| | |
|--------------------------|--------------|
| Adjustable Leveling Legs | Yes |
| Plinth | Yes |
| Included Power Cord Type | 4-Prong Plug |

Certifications and Approvals

| | |
|----------------------|-----|
| Star-K Certification | Yes |
|----------------------|-----|

Cooktop Performance

| | |
|----------------------------------|-----------------------------|
| Right Front Element Burner Size | 7 1/10" |
| Right Rear Element Burner Size | 7 1/10" |
| Left Front Element Burner Size | 7 1/10" |
| Left Rear Element Burner Size | 7 1/10" |
| Center Front Element Burner Size | 10 1/4" |
| Right Front Element Burner | 1,850 / 3,000 Watts (Boost) |
| Right Rear Element Burner | 1,850 / 3,000 Watts (Boost) |
| Left Front Element Burner | 1,850 / 3,000 Watts (Boost) |
| Left Rear Element Burner | 1,850 / 3,000 Watts (Boost) |
| Center Element Burner | 2,600 / 3,700 Watts (Boost) |

Oven

| | |
|---------------------------|--------------------|
| Bake Element Type | Hidden |
| Bake Element | 3,300 Watts |
| Broil Element | 3,300 Watts |
| Convection Type | True Dual |
| Convection Element | 3,380 Watts |
| Rack Position Type | Ladder |
| Number of Rack Positions | 5 |
| Rack Type 1 | Flat |
| Rack Type 1 Quantity | 2 |
| Rack Type 2 | Glide |
| Rack Type 2 Quantity | 1 |
| Oven Interior Color | Gray |
| Window Type | Extra Large Window |
| Oven Light Type | Halogen |
| Oven Light Quantity | 2 |
| Oven Light Watts | 40 Watts |
| Number of Convection Fans | 2 |

Display

| | |
|---------------------|-------|
| Display Light Color | White |
| Display Type | LED |
| Control Location | Front |

Electrical Specifications

| | |
|------------------|---------|
| Amps @ 240 Volts | 50 Amps |
| Voltage Rating | 240 V |

36" Induction Freestanding Range

Induction Range

Available Products: PCFI3670AF

Available Colors: Stainless Steel

Version: 08/22

General Specifications

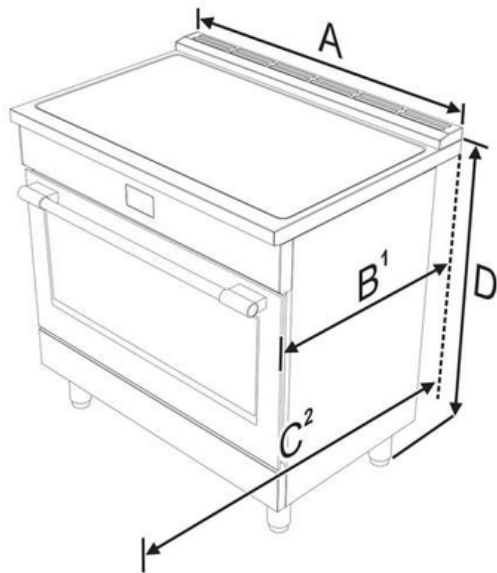
| | |
|------------------|--------|
| Prop 65 Label | Yes |
| Warranty - Labor | 1 Year |
| Warranty - Parts | 1 Year |

Safety Certifications and Approvals

| | |
|------------|-----|
| CSA Listed | Yes |
| RoHS | Yes |

Installation Diagram

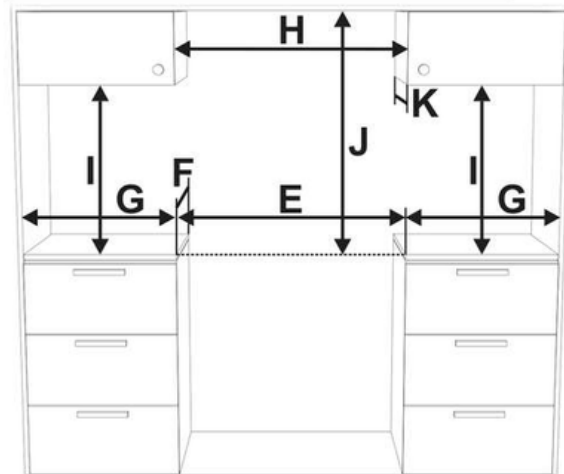
Product Dimensions



| | | |
|----------------------|--------------------------------|----------------------------------|
| A | 912.4 mm | 35 15/16" |
| B¹ | min: 627 mm max: 631 mm | min: 24 11/16" max: 24 13/16" |
| C² | 1116 mm | 43 15/16" |
| D | min: 893.8 mm max: 944.6 mm | min: 35 3/16" max: 37 3/16" |

1. Measurement **B** varies according to the model: the minimum is obtained without the rear spacers (see "Island installation") and the maximum is obtained for traditional installation (slot-in installation - with the rear spacers).
2. Measurement **C** refers to the open door.

Cabinet clearances



| | | |
|----------|-----------------|----------|
| E | 914 mm | 36" |
| F | 603 mm | 23" 3/4 |
| G | 178 mm | 7" |
| H | min. 914 mm | min. 36" |
| I | min. 457 mm | min. 18" |
| J | see notes below | |
| K | max. 330 mm | max. 13" |

Clearance **J** can have the following values:

- **J = 30" / 762 mm** minimum clearance between the top of the cooking surface and the bottom of an unprotected wood or metal cabinet.
- **J = 24" / 610 mm** minimum when the bottom of wood or metal cabinet is protected by not less than 1/4-inch-thick flame-retardant millboard covered with not less than No. 28 MSG sheet steel, 0.015-inch-thick stainless steel, 0.024-inch-thick aluminum, or 0.020-inch-thick copper. Clearances from non-combustible materials are not part of the ANSI Z21.1 scope and are not certified by CSA. Clearances of less than 30" should be approved by the local codes and/or by the local authority having jurisdiction.