

Frigidaire Professional



Single Wall Oven

30" Single Wall Oven with Total Convection

PCWS3080AF

Available Colors : Stainless Steel

Version : 04/22

Cooking Controls

Air Fry	Yes
Bake	Yes
Broil	Yes
Cancel	Yes
Child Lock	Yes
Clear Off	Yes
Clock	Yes
Convection Bake	Yes
Convection Roast	Yes
Delay Clean	Yes
Delay Start	Yes
Fast Preheat	Yes
Kitchen Timer	Yes
Light	Yes
Off	Yes
Oven Light	Yes
Probe	Yes
Self Clean	Yes
Set Clock	Yes
Slow Cook	Yes
Start	Yes
Steam Bake	Yes
Steam Clean	Yes
Steam Roast	Yes
Stop	Yes
Temperature Display	Yes
Timer On / Off	Yes
User Preferences	Yes

Cooking Controls Function

Change between Continuous Bake Setting or 12-Hour Energy Saving Feature	Yes
Delayed Bake	Yes
Program Fahrenheit or Celsius	Yes
Silent Control Panel	Yes

Oven

Bake Element	2,500 Watts
Bake Element Pass	8
Bake Element Type	Hidden
Broil Element	4,000 Watts
Broil Element Pass	6
Broil System	Yes
Cleaning System	Yes
Convection	Yes
Convection Element	3,800 Watts
Convection Type	Total
Number of Convection Fans	1
Number of Rack Positions	6
Oven Interior Color	Midnight Black
Oven Light Quantity	2
Oven Light Type	Halogen
Oven Light Watts	40 Watts
Rack Position Type	Embossed
Rack Type 1	Handle
Rack Type 1 Quantity	1
Rack Type 2	Glide
Rack Type 2 Quantity	1
Rack Type 3	Air Fry Tray
Rack Type 3 Quantity	1

Controls

Control Lock	Yes
Sabbath Mode	Yes

Display

Control Location	Top
Display Interface Color	White
Display Light Color	White
Display Type	Capacitive Touch

Dimensions and Volume

Note: For planning purposes only. Always consult local and national electric, gas and plumbing codes.

Refer to Product Installation Guide for detailed installation instructions on the web at frigidaire.com / frigidaire.ca

Specifications subject to change. Accessories information available on the web at frigidaire.com / frigidaire.ca

USA • 10200 David Taylor Drive • Charlotte, NC 28262 • 1-800-FRIGIDAIRE • frigidaire.com

CANADA • 5855 Terry Fox Way • Mississauga, ON L5V 3E4 • 1-800-265-8352 • frigidaire.ca

Frigidaire Professional

30" Single Wall Oven with Total Convection

PCWS3080AF

Version : 04/22

Height	28"
Width	29 7/8"
Depth	25 3/16"
Depth With Door 90° Open	48 3/16"
Depth With Handle	27 6/10"
Oven Interior Height	18 1/8"
Oven Interior Width	25 2/10"
Oven Interior Depth	19 7/8"
Minimum Cutout Height	26 3/4"
Minimum Cutout Width	28 1/2"
Maximum Cutout Height	28"
Maximum Cutout Width	29"
Oven Capacity	5.3 Cu. Ft.

Electrical Specifications

Amps @ 240 Volts	20 Amps
Connected Load @ 240V	4.5 kW
Minimum Circuit Required	20 Amps
Voltage Rating	240 V

Installation

Power Supply Connection Location	Top Left
----------------------------------	----------

General Specifications

Prop 65 Label	Yes
Warranty - Labor	1 Year
Warranty - Parts	1 Year
Frigidaire Fit Promise	Yes

Certifications and Approvals

ADA Compliant	Yes
Star-K Certification	Yes

Safety Certifications and Approvals

CSA Listed	Yes
UL Listed	Yes
RoHS	Yes

Note: For planning purposes only. Always consult local and national electric, gas and plumbing codes.

Refer to Product Installation Guide for detailed installation instructions on the web at frigidaire.com / frigidaire.ca

Specifications subject to change. Accessories information available on the web at frigidaire.com / frigidaire.ca

USA • 10200 David Taylor Drive • Charlotte, NC 28262 • 1-800-FRIGIDAIRE • frigidaire.com

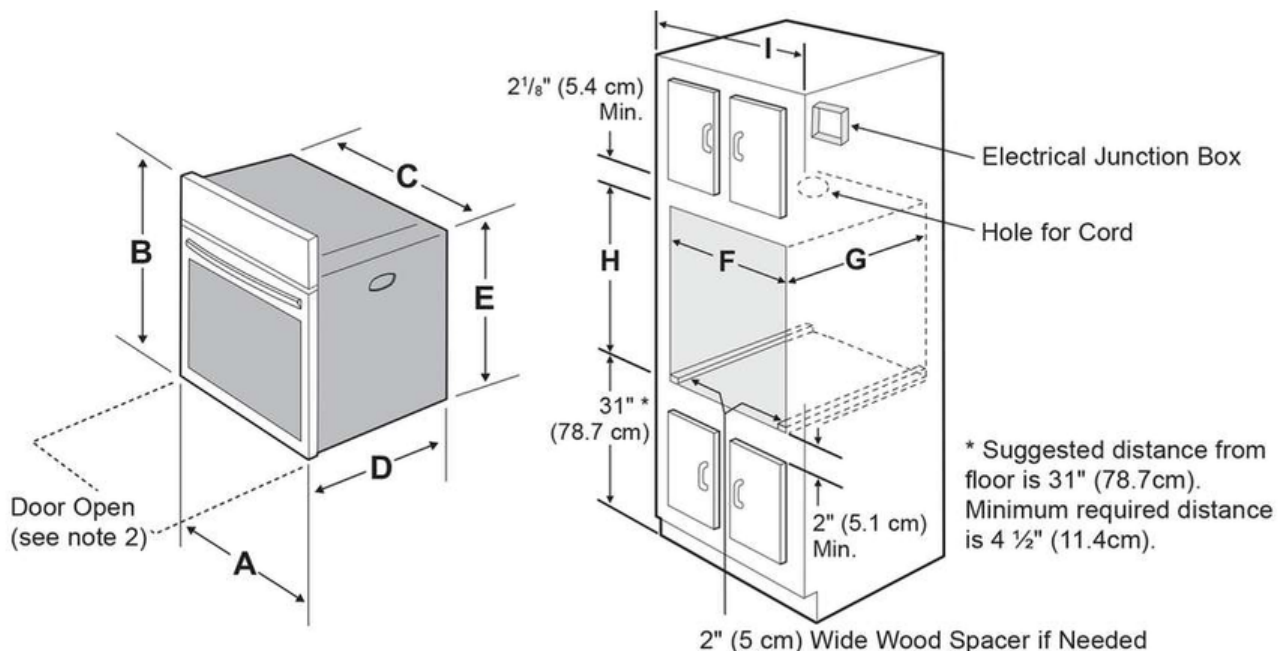
CANADA • 5855 Terry Fox Way • Mississauga, ON L5V 3E4 • 1-800-265-8352 • frigidaire.ca

Frigidaire Professional

30" Single Wall Oven with Total Convection

PCWS3080AF

Version : 04/22



NOTES:

1. Allow at least 23" (58.4 cm) clearance in front of oven for door depth when it is open.
2. Dimension G (cutout depth) is critical to the proper installation of the built-in oven. If the oven trim does not butt against the cabinet, or if noise is heard on convection models, verify dimension G to assure it is the required depth.
3. For a cutout height greater than the maximum (H), add one 2"(5 cm) wide wood shim of appropriate height to each side of the opening under the appliance side rails. A trim kit may be purchased through a dealer, service, or on the brand website.

PRODUCT DIMENSIONS					
A	B	C	D		E
29 ⁷ / ₈ (75.9 cm)	28 (71.1 cm)	28 ⁷ / ₁₆ (72.2 cm)	25 ³ / ₁₆ (63.9 cm)		26 (66.1 cm)
CUTOUT DIMENSIONS AND CABINET WIDTH					
F		G	H. Standard Height (**Others, see note 3)		I
Min.	Max.	Min.	Min.	Max.	
28 ¹ / ₂ (72.4 cm)	29 (73.7 cm)	23 ¹ / ₂ (59.7 cm)	26 ³ / ₄ (68.0 cm)	28 (71.1 cm)	30 ¹ / ₈ (76.5 cm) Min

Note: For planning purposes only. Always consult local and national electric, gas and plumbing codes. Refer to Product Installation Guide for detailed installation instructions on the web at frigidaire.com / frigidaire.ca Specifications subject to change. Accessories information available on the web at frigidaire.com / frigidaire.ca