

## PFD 102 i (120V) 24" Semi-Integrated Dishwasher

### Features:

- Dishwashers for offices, showrooms, legal practices, kitchen studios, and private homes
- Ideal for up to 5 wash cycles per day
- Tested for 12,500 program cycles
- ExtraComfort basket
- With Baskets as standard
- BrilliantLight interior lighting
- Integrated water softener
- AutoOpen
- WiFiConn@ct as standard

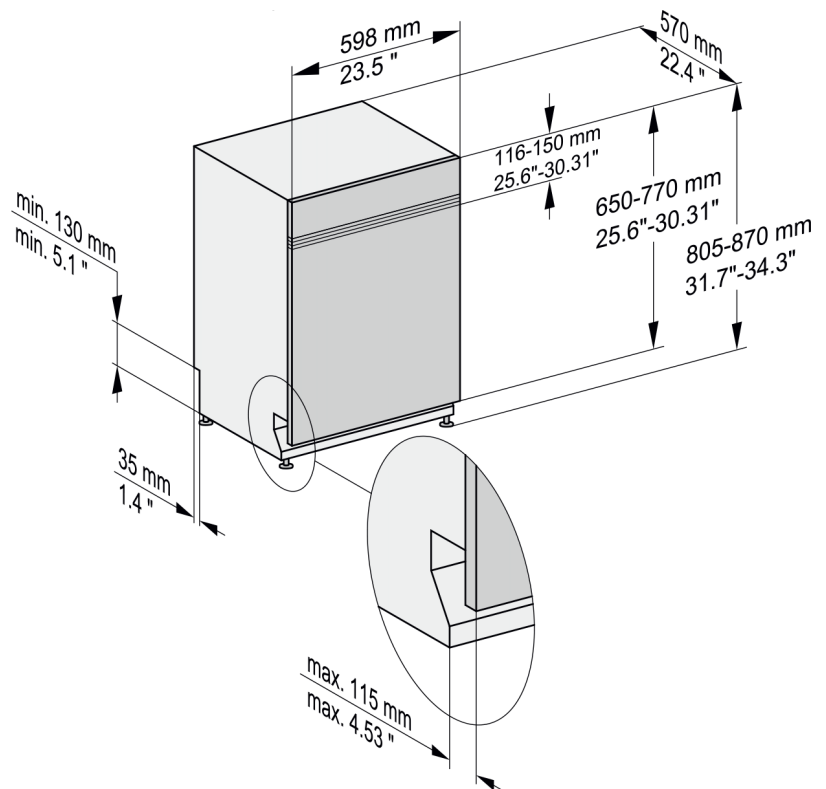


### MATERIAL #

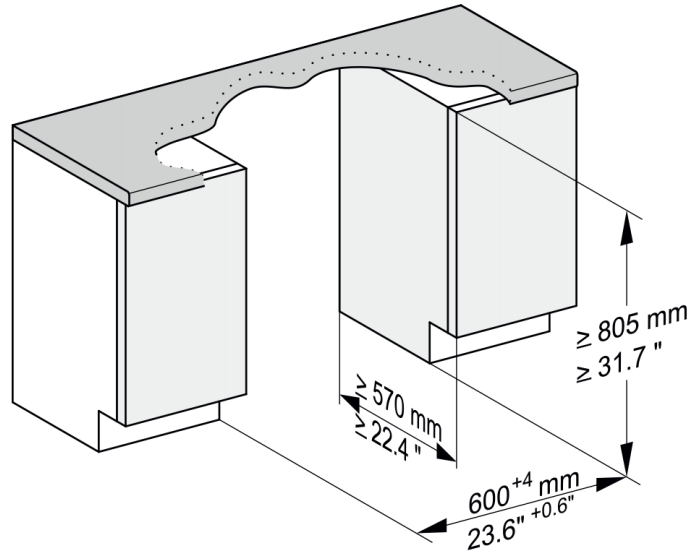
11605430

SPECIFICATIONS	
Overall Unit Dimensions	23.5" (598 mm) W x 31.7" - 34.2" (805-870 mm) H x 22.4" (570 mm) D [Depth does not include door panel]
Niche	
Minimum Cabinet Niche Opening	23.6" (600 mm) W x 31.7" (805 mm) H x 22.4" (570 mm) D
Plumbing	
Water Supply Requirements	<ul style="list-style-type: none"> <li>• Cold or Hot (max 140°F/60°C) water connection</li> <li>• Male 3/4" GHT</li> <li>• Water pressure range 0.73 psi (0.05 bar) and 145 psi (10 bar)</li> </ul>
Water Connection Line (Supplied)	Length: 4.9 ft (1.5 m) Female 3/4" GHT
Drain Hose (Supplied)	Length: 4.9 ft (1.5 m) 7/8" (22 mm) internal diameter
Electrical	
Electrical Requirements	110V / 120V, 60Hz, 15 Amps
Power Cord (Convertible to hardwire)	NEMA 5-15 plug, 5' 7" (1.7 m)
Sound	
Sound level	46 dB(A)
Shipping	
Shipping Weight	121 lbs (55 kg)
Shipping Dimensions	26.4" (670 mm) W x 38.2" (970 mm) H x 26.4" (670 mm) D

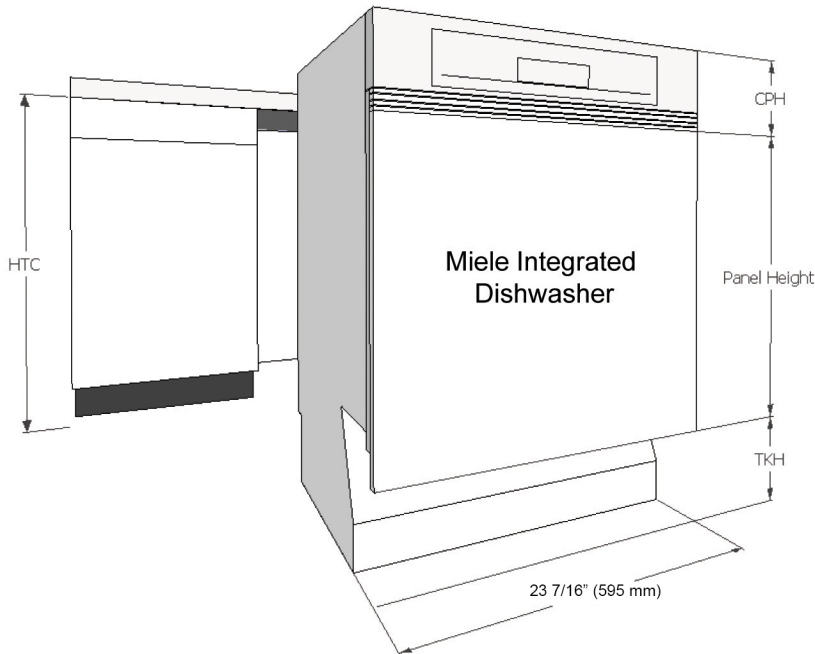
### PRODUCT DIMENSIONS



## CUTOUT DIMENSIONS



## CUSTOM PANEL



**Panel Height = HTC - CPH - TKH**

**HTC** = Height to underside of countertop

**CPH** = Control panel height

**TKH** = Toe kick height

**Note:** Control panel height is determined by the height of the adjoining drawers in the cabinets. The height is adjustable between 4 5/8" and 5 7/8" (116 - 150 mm) with the spacer strips provided.

### Front Panel Dimensions

Length: 19.7" (500 mm) - 25.7" (654 mm)

Thickness: 0.63" (16 mm) - 0.79" (20 mm)

Width: 23.4" (595 mm) in all cases

Weight: 8.8 lbs (4 kg) - 24.3 lbs (11 kg)