

Installation Instructions

30" Side Swing Door Electric Built-In Wall Ovens (LH shown, RH opposite)

BEFORE YOU BEGIN

Read these instructions completely and carefully.

- **IMPORTANT** — Save these instructions for local inspector's use.
- **IMPORTANT** — Observe all governing codes and ordinances.
- **Note to Installer** — Be sure to leave these instructions with Consumer.
- **Note to Consumer** — Keep these instructions for future reference.
- **Skill level** — Installation of this appliance requires a qualified installer or electrician.
- Proper installation is the responsibility of the installer.
- Product failure due to improper installation is not covered under Warranty.
- Product is for indoor use only.

ATTENTION INSTALLER: All electric wall ovens must be hard-wired (direct-wired) into an approved junction box. A plug and receptacle is NOT permitted on these products.

FOR YOUR SAFETY:

⚠ WARNING

Before beginning the installation, switch power off at the service panel and lock the service disconnecting means to prevent power from being switched on accidentally. When the service disconnecting means cannot be locked, securely fasten a prominent warning device, such as a tag, to the service panel.

Be sure the oven is securely installed in a cabinet that is firmly attached to the house structure. Weight on the oven door could cause the oven to tip and result in injury. Never allow anyone to climb, sit, stand or hang on the oven door.

Make sure the wall coverings, counters and cabinets around the oven can withstand the heat (up to 200°F [93.3°C]) generated by the oven.

MATERIALS YOU MAY NEED

Junction Box
Wire Nuts
Strain Relief Clamp for 1/2" Conduit
36" (91 cm) of String

TOOLS YOU MAY NEED

1/8" Drill Bit and Electric or Hand Drill
T20 Screwdriver
Phillips Screwdriver
Wire Strippers

1 REMOVE PACKAGING MATERIALS

Failure to remove packaging materials could result in damage to the appliance. Remove all packing parts from oven, racks and heating elements. Remove protective film and labels on the outer door and control panel. Also, remove plastic on trims and panel, all tape around the oven and any shipping screws securing the oven to the base pad. Open oven door and remove literature pack and oven racks. Remove the bottom trim from the top of the oven. It will be installed at the end of the installation process. The trim is wrapped separately and taped to the top of the unit. Remove pedestal rails from separate box and set aside (30" Double Wall Ovens Only).

DESIGN INFORMATION

SINGLE OVEN INSTALLATIONS

The single oven may be installed in a cabinet alone or above a warming drawer. The single oven may also be installed side by side, below a countertop, or below specified cooktops. See the label on top of the oven for approved models.

DOUBLE OVEN INSTALLATIONS

A double oven may be installed in a cabinet alone or above a warming drawer. See the label on top of the oven for approved models.

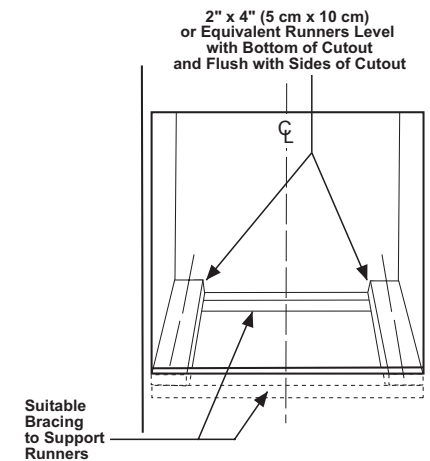
IMPORTANT: Always refer to individual installation instructions packed with each product for specific requirements.

2 PREPARE THE OPENING

NOTE: If the cabinet does not have a solid bottom, two braces or runners must be installed to support the weight of the oven. For single ovens, the runners and braces must support 220 lbs (99 kg). For double ovens, the runners and braces must support 400 lbs. (181 kg).

NOTE: If marks, blemishes or the cutout opening are visible above the installed oven, it may be necessary to add wood shims under the runners until the marks or opening are covered.

NOTE: If the cabinet does not have a front frame and the sides are less than 3/4" (1.9 cm) thick, shim both sides equally to establish the cutout width.

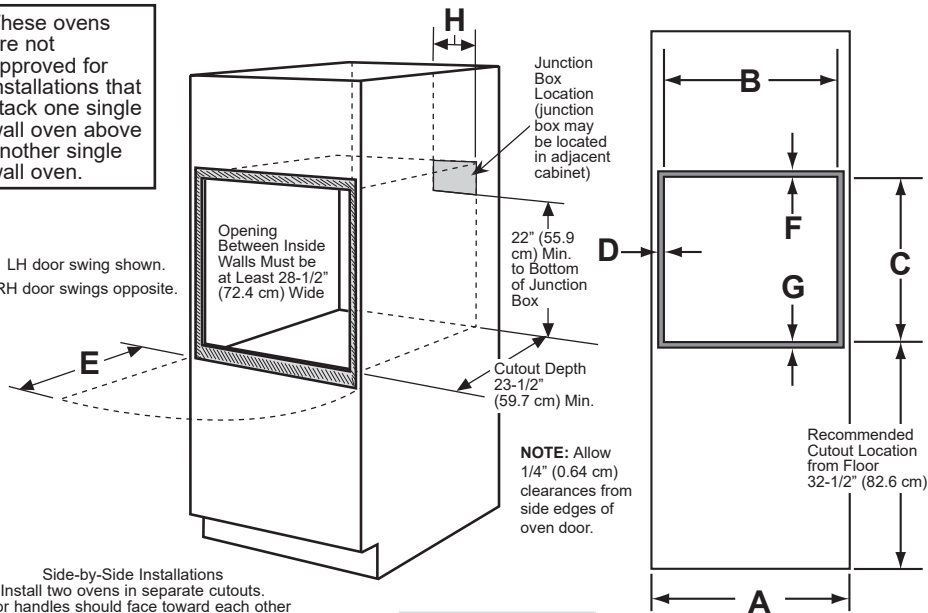


2 A CUTOUT FOR SINGLE OVENS IN WALL CABINET

NOTE: If the cabinet does not have a front frame and the sides are less than $\frac{3}{4}$ " (1.9 cm) thick, shim both sides equally to establish the cutout width.

These ovens are not approved for installations that stack one single wall oven above another single wall oven.

LH door swing shown.
RH door swings opposite.

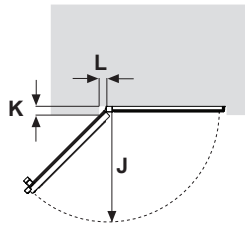


Side-by-Side Installations
Install two ovens in separate cutouts.
Door handles should face toward each other

Center Line Center Line
30.5" (77.5 cm)
30" models

Cutout – observe all dimensions and requirements.

Cutout – observe all dimensions and requirements.



2" (5.1 cm) Min.

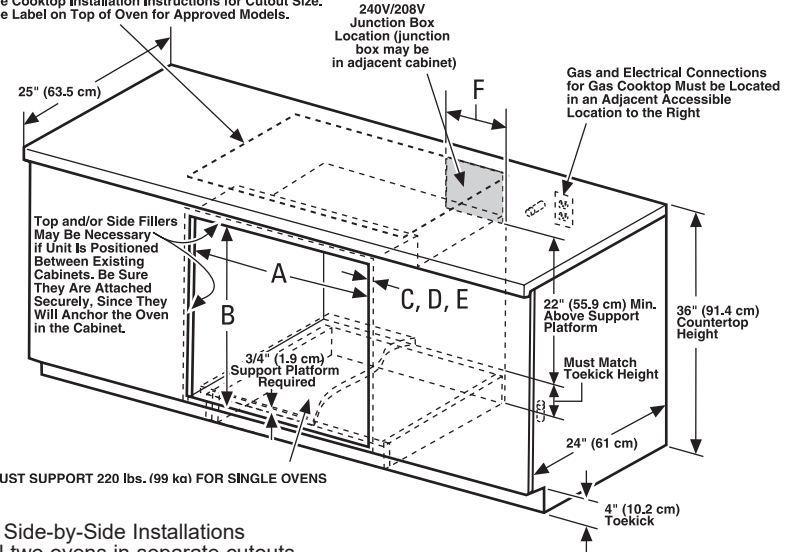
Dim.	Dimension Description	30" Single Oven
A	Cabinet Width	30" (76.2 cm)
B	Cutout Width	28½" (72.4 cm) min. 28¾" (72.7 cm) max.
C	Cutout Height	27¼" (69.2 cm) min. 27⅝" (69.4 cm) max.
D	Clearance from cutout - side edges*	1⅞" (1.75 cm)
E	Clearance to Adjacent Corners, Drawers, Walls, etc., When Door Is Open	31-⅞" (77.8 cm) min.
F	Clearance from cutout - top*	1" (2.5 cm) min. (1¼" (3.2 cm) for PT9050, ZET1S and ZET1P)
G	Clearance from cutout - bottom*	1¼" (3.2 cm)
H	Junction Box Location	9½" (24.1 cm) max. right side only
J	Door swing depth - Allow additional clearances for installation and oven usage	31-⅞" (77.8 cm) min.
K	Countertop or cabinet door protrusion (measure if exist)	Measure "K"
L	Gap between edge of countertop or cabinet door to cabinet opening	If K = 0, L = 0, Otherwise K = L + 1" (2.54 cm) min.

* Refers to minimum clearance required for wall oven installation and does not reflect actual product dimensions.

2 B CUTOUT FOR SINGLE OVENS – UNDER COUNTER

NOTE: These ovens are only approved to be installed under the specific models as labeled on the unit.

Gas or Electric Cooktops May Be Installed Over This Oven.
See Cooktop Installation Instructions for Cutout Size.
See Label on Top of Oven for Approved Models.



Side-by-Side Installations
Install two ovens in separate cutouts.

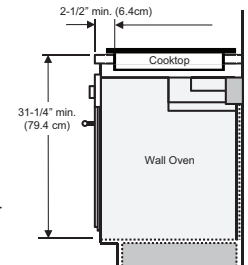
Center Line Center Line
30.5" (77.5 cm) 30" models

Cooktop
Cutout – observe all dimensions and requirements.

Cooktop
Cutout – observe all dimensions and requirements.

2" (5.1 cm) Min.

IMPORTANT: Maintain a minimum distance of 31-1/4" from the top surface of the countertop to the wall oven platform to ensure that the cooktop and wall oven do not interfere with each other (see picture).



SIDE VIEW

NOTE: One cooktop may be centered over either oven in the side-by-side installation.

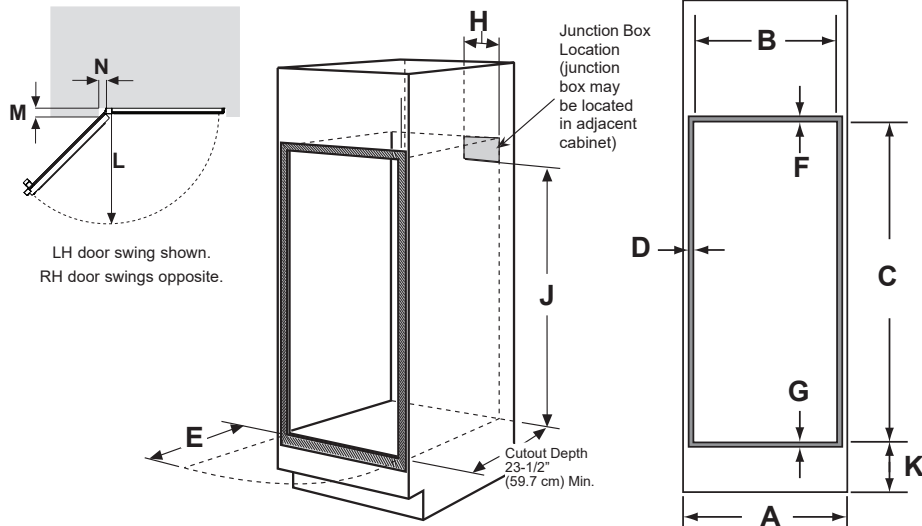
Dimension	Dimension Description	30" Single Oven
A	Cabinet Width	28½" (72.4 cm) min. 28¾" (72.7 cm) max.
B	Cutout Height	27¼" (69.2 cm) min. 27⅝" (69.4 cm) max.
C	Clearance from cutout - top*	1" (2.5 cm) (1¼" (3.2 cm) for PT9050 ZET1S and ZET1P)
D	Clearance from cutout - bottom*	1¼" (3.2 cm)
E	Clearance from cutout - side edges*	1⅞" (1.75 cm)
F	Junction Box Location	9½" (24.1 cm) max. right side only

* Refers to minimum clearance required for wall oven installation and does not reflect actual product dimensions.

Continue to Section 4.

2 C CUTOUT FOR DOUBLE OVENS (2 THERMAL OVENS)

NOTE: If the cabinet does not have a front frame and the sides are less than 3/4" (1.9 cm) thick, shim both sides equally to establish the cutout width.



Dim.	Description	30" Double Oven with Pedestal	30" Double Oven without Pedestal
A	Cabinet Width	30" (76.2 cm)	30" (76.2 cm)
B	Cutout Width	28 1/2" (72.4 cm) min. 28 3/8" (72.7 cm) max.	28 1/2" (72.4 cm) min. 28 3/8" (72.7 cm) max.
C	Cutout Height	51 13/16" (131.6 cm) min. 51 15/16" (131.9 cm) max.	50 1/4" (127.64cm)
D	Clearance from cutout - side edges*	1 1/16" (1.75 cm)	1 1/16" (1.75 cm)
E	Clearance to Adjacent Corners, Drawers, Walls, etc., When Door Is Open	31 1/8" (77.8 cm) min.	31 1/8" (77.8 cm) min.
F	Clearance from cutout - top*	1" (2.5 cm) min. (1 1/4" (3.2 cm) for PT9550, ZET2S and ZET2P)	1" (2.5 cm) min. (1 1/4" (3.2 cm) for PT9550, ZET2S and ZET2P)
G	Clearance from cutout - bottom*	1 1/4" (3.2 cm)	1 1/4" (3.2 cm)
H	Junction Box Location	9 1/2" (24.1 cm) max. right side only	9 1/2" (24.1 cm) max. right side only
J	Height to Bottom of Junction Box	47" (119.4 cm)	47" (119.4 cm)
K	Recommended Cutout Location from Floor	12" (30.5 cm)	12" (30.5 cm)
L	Door swing depth - Allow additional clearances for installation and oven usage	31 1/8" (77.8 cm) min.	31 1/8" (77.8 cm) min.
M	Countertop or cabinet door protrusion (measure if exist)	Measure "M"	Measure "M"
N	Gap between edge of countertop or cabinet door to cabinet opening	If M = 0, N = 0, Otherwise N = M + 1" (2.54 cm) min.	If M = 0, N = 0, Otherwise N = M + 1" (2.54 cm) min.

* Refers to minimum clearance required for wall oven installation and does not reflect actual product dimensions.

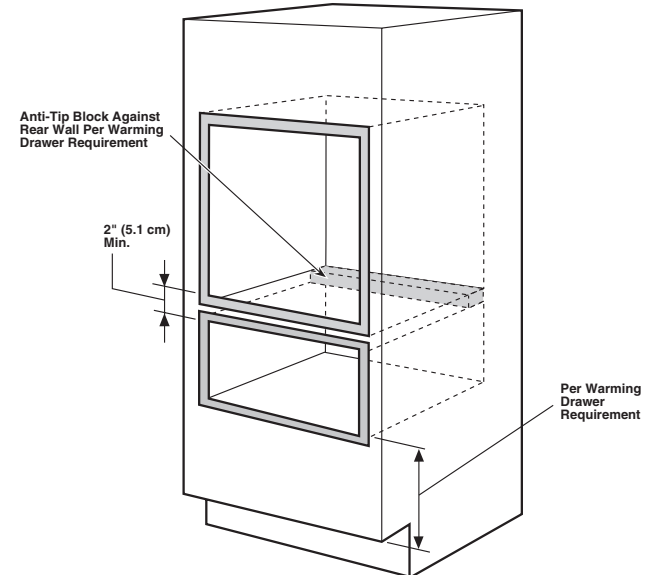
Continue to Section 3.

2 D CUTOUT FOR INSTALLATION OVER A WARMING DRAWER

NOTE: Install the oven only with specific models listed on the label located on top of the oven.

NOTE: Additional clearances between cutouts may be required. Check to be sure the oven supports above the Warming Drawer location do not obstruct the required interior depth and height.

When installing a Warming Drawer below a single, double, or combination oven, a separate 120V, 60 HZ, properly grounded receptacle must be installed. Refer to installation instructions packed with the Warming Drawer for specific installation requirements.



Continue to Section 3 for Double Wall Oven with Pedestal. Otherwise, continue to Section 4.

3 A DETERMINING WHEN TO USE THE PEDESTAL (30" DOUBLE OVENS ONLY)

WHEN TO USE THE PEDESTAL

When replacing an older GE Appliances 30" double wall oven with a new GE Appliances model. Cutout height = 51-13/16" to 51-15/16". This is our traditional cutout height.

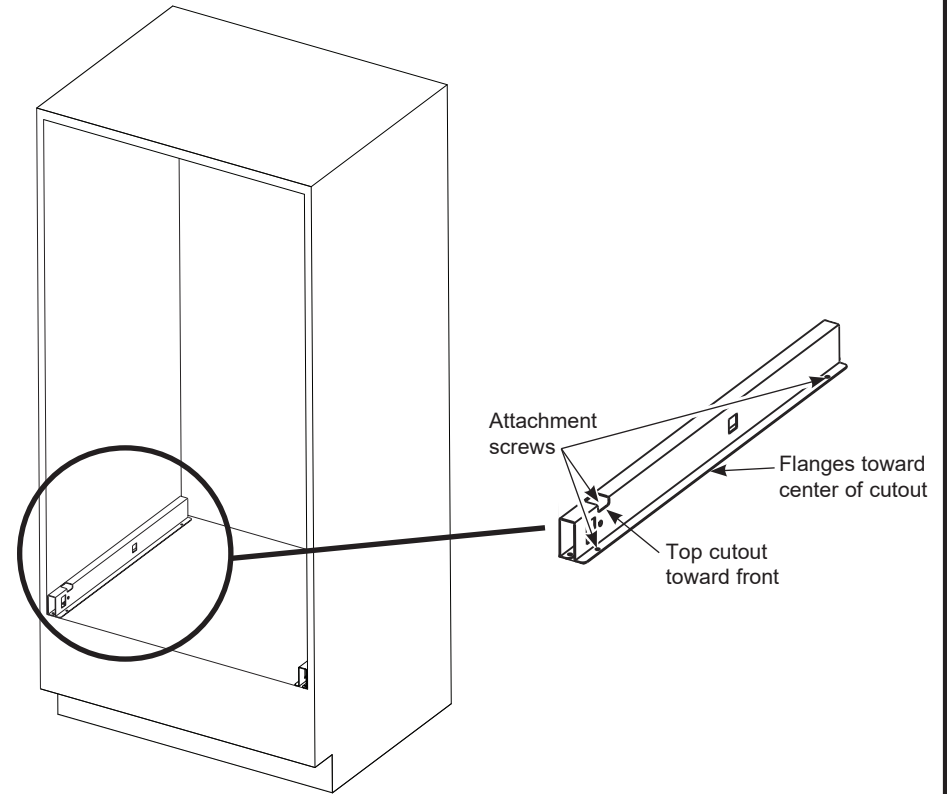
WHEN NOT TO USE THE PEDESTAL

When replacing a 30" double wall oven from another manufacturer (ie. Whirlpool) with a new GE Appliances 30" double wall oven. Cutout height = 50-1/4". You will need to verify that the existing cutout matches the 50-1/4" dimension.

If the new GE Appliances 30" double wall oven is being installed into new construction (ie. not a replacement), then the recommended installation is to use the Pedestal.

3 B PEDESTAL RAIL INSTALLATION (30" DOUBLE OVENS ONLY)

- A. Position the pedestal rails with the top cutout toward the front of the opening and the flanges on the bottom, pointing toward the center. Locate each rail on the floor or cabinet runner, slightly inward from the side of the cabinet. Make sure the front of each rail is not protruding beyond the front of the cabinet opening.
- B. Drill pilot holes and attach rails to runner or bottom of cabinet with provided hardware.



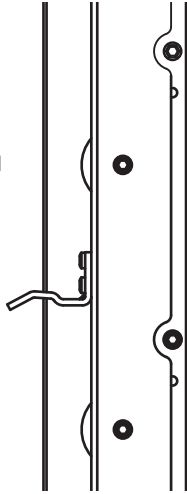
4 A DOOR STRIKE ADJUSTMENT

Description: The strike on the unit keeps the door closed during cooking and protrudes from the inside of the oven structure. The strike angle can be adjusted if the door is too difficult or easy to open or close.

Procedure: Use a standard pair of smooth jawed pliers to apply pressure downward or upward on the strike, to customer's preference.

- **Difficult to open:** Apply pressure downward to give the strike an additional 1-6° bend.
- **Easy to open/close:** Apply pressure upward until the desired opening and closing force is achieved.

NOTE: Small adjustments are recommended to avoid major changes in door push and pull forces



5 ELECTRICAL REQUIREMENTS

⚠ WARNING This appliance must be properly grounded.

⚠ WARNING To prevent fire or shock, do not use an extension cord with this appliance.

⚠ WARNING To prevent shock, remove house fuse or open circuit breaker before beginning installation.

⚠ WARNING Improper connection of aluminum house wiring to copper leads can result in an electrical hazard or fire. Use only connectors designed for joining copper to aluminum and follow the manufacturer's recommended procedure closely.

We recommend you have the electrical wiring and hookup of your appliance connected by a qualified electrician. After installation, have the electrician show you how to disconnect power from the appliance.

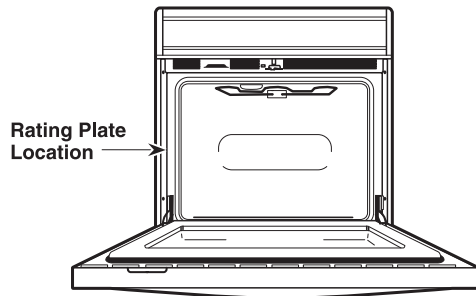
You must use a single-phase, 120/208 VAC or 120/240 VAC, 60 Hertz electrical system. If you connect to aluminum wiring, properly installed connectors approved for use with aluminum wiring must be used.

Effective January 1, 1996, the National Electrical Code requires that new construction (not existing) utilize a four-conductor connection to an electric oven. When installing an electric oven in new construction, a mobile home, recreational vehicle or an area where local codes prohibit grounding through the neutral conductor, refer to the section on four-conductor branch circuit connections.

Check with your local utilities for electrical codes which apply in your area. Failure to wire your oven according to governing codes could result in a hazardous condition. If there are no local codes, your oven must be wired and fused to meet the National Electrical Code, NFPA No. 70 – latest edition, available from the National Fire Protection Association.

5 ELECTRICAL REQUIREMENTS (CONT.)

This appliance must be supplied with the proper voltage and frequency and connected to an individual, properly grounded branch circuit, protected by a circuit breaker or fuse. See the rating plate located on the oven frame to determine the rating of the product.



Rating plate is located on the oven side trim.

Use the chart below to determine the minimum recommended dedicated circuit protection:

KW Rating 240V	KW Rating 208V	Recommended Circuit Size (Dedicated)
≤4.8 KW	≤4.1 KW	20 Amp
4.9 KW–7.2 KW	4.2 KW–6.2 KW	30 Amp
7.3 KW–9.6 KW	6.3 KW–8.3 KW	40 Amp
9.7 KW–12.0 KW	8.4 KW–10.4 KW	50 Amp

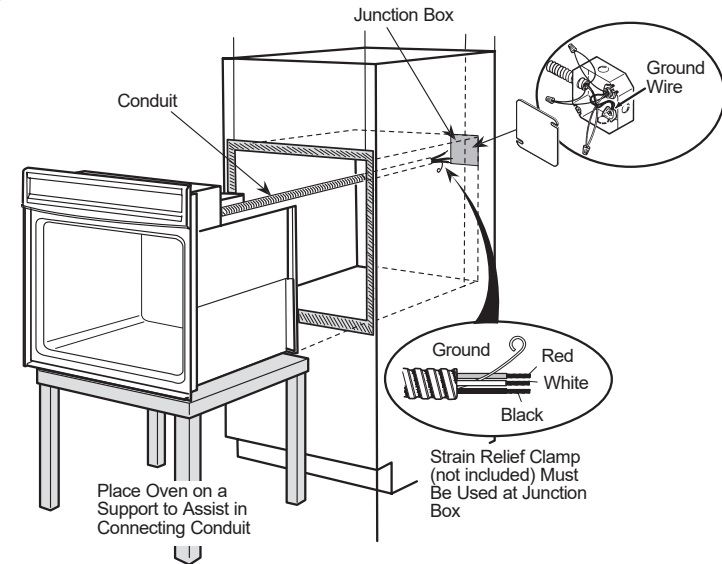
DO NOT shorten the flexible conduit. The conduit strain relief clamp must be securely attached to the junction box and the flexible conduit must be securely attached to the clamp. If the flexible conduit will not fit within the clamp, do not install the oven until a clamp of the proper size is obtained.

The 3 power leads supplied with this appliance are suitable for connection to heavier gauge household wiring. The insulation of these 3 leads is rated for temperatures much higher than the temperature rating of the household wiring. The current-carrying capacity of the conductor is governed by the wire gauge and the temperature rating of the insulation around the wire.

6 MAKE ELECTRICAL CONNECTIONS

WARNING Switch power off at the service panel and lock the service disconnecting means to prevent power from being switched on accidentally. When the service disconnecting means cannot be locked, securely fasten a prominent warning device, such as a tag, to the service panel.

Place oven on table or platform even with the cutout opening. For a single oven, the platform must support 220 lbs. (99 kg); for a double or combination oven, the platform must support 400 lbs. (181 kg). Connect the flexible conduit to the electrical junction box as shown below*. Position the conduit in such a manner that it will lie behind the unit in a natural loop when the oven is installed**. You will need to purchase an appropriate strain relief clamp to complete the connection of the conduit to the junction box.



*Ovens come equipped with a 40" or 54" long conduit. If a longer conduit is desired, there may be one available for your model. To check availability or order parts, call GE Appliances at 1.800.GE.CARES.

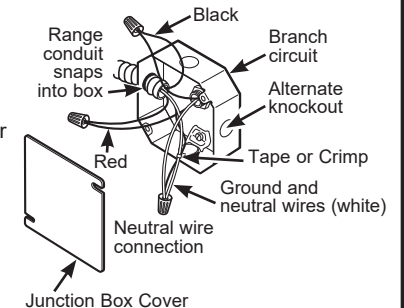
**Combination Oven with upper microwave oven - it is recommended to install the conduit through the side of the junction box as shown in the illustration above.

7 THREE-CONDUCTOR BRANCH CIRCUIT CONNECTION

NOTE: If residence leads are aluminum conductors, see **WARNING** in Section 5, Electrical Requirements.

When connecting to a three-conductor branch circuit, if local codes permit:

- Connect the oven ground conductor along with the neutral (white) lead to the branch circuit neutral (white or gray in color), using a wire nut.
- Connect the oven red lead to the branch circuit red lead and the oven black lead to the branch circuit black lead in accordance with local codes, using wire nuts.
- Install proper strain relief clamp.
- Install junction box cover.

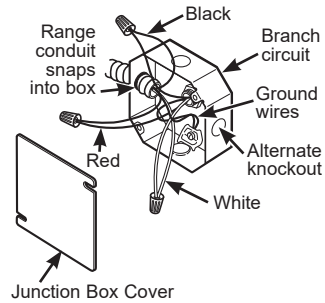


8 FOUR-CONDUCTOR BRANCH CIRCUIT CONNECTION

NOTE: If residence leads are aluminum conductors, see WARNING in Section 5, Electrical Requirements.

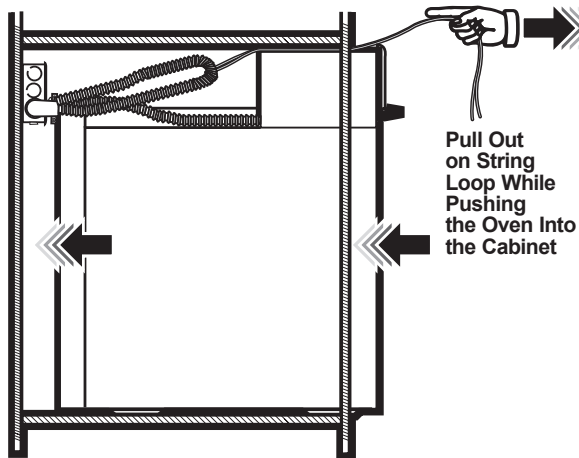
When connecting to a four-conductor branch circuit, if local codes permit:

- Free the neutral (white) lead from being restrained to any other wires. If necessary, cut the neutral (white) lead and then re-strip it to expose the proper length of conductor.
- Attach the appliance grounding lead (green or bare copper) in accordance with local codes.
- Connect the oven neutral (white) lead to the branch circuit neutral (white or gray) in accordance with local codes, using a wire nut.
- Connect the oven red lead to the branch circuit red lead and the oven black lead to the branch circuit black lead in accordance with local codes, using wire nuts.
- Install proper strain relief clamp.
- Install junction box cover.



9 SLIDE OVEN INTO OPENING

- Loop (do not tie) a 36" (91 cm) string around the conduit before the oven is slid into place. This will keep the conduit from falling behind the oven.
- Lift oven into cabinet cutout using the oven opening as a grip. Carefully push against oven front frame. Do not push against outside edges.
- As you slide the oven back, pull the string so that the conduit will lie on top of the oven in a natural loop. For a combination oven, pull the conduit so that it sits above the lower oven on the left side (as viewed from the front).
- When you are sure the conduit is out of the way, slide the oven 3/4 way back into the opening. Remove the string by pulling on one end of the loop.



10 INSTALL MOUNTING SCREWS (THERMAL OVENS)

WARNING Mounting screws must be used. Failure to do so could result in the oven falling out of the cabinet, causing serious injury.

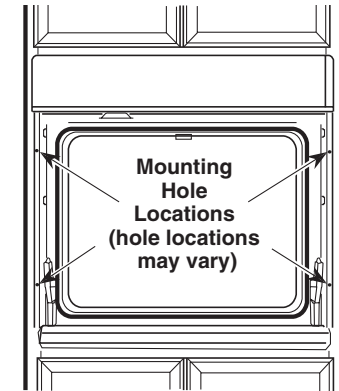
NOTE: During oven mounting step, ensure that no damage is done to oven gasket which lines the edge of oven cavity.

NOTE: Before drilling the pilot holes, make sure the oven is pushed as far back into the opening as it will go and is centered.

NOTE: If the cabinet is particle board, you must use #8 x 3/4" particle board screws. These may be purchased at any hardware store.

- Drill through the mounting holes (top and bottom) of the side trim for the #8 mounting screws provided.
- Secure the oven cabinet with the screws

provided.

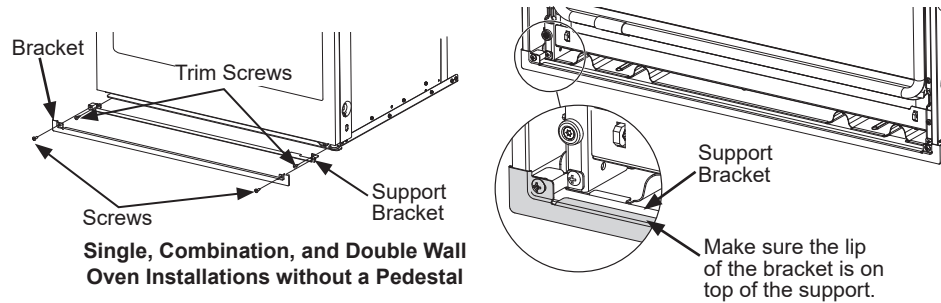


The Screws Must Be a Minimum of 1/4" (6 mm) From the Front of the Cutout.

Some models have custom handles. Please follow the instructions with the handles for proper installation.

11A BOTTOM TRIM INSTALLATION - NON-PEDESTAL

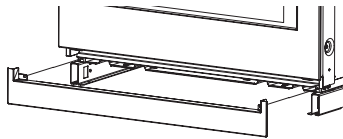
With oven installed, attach the support bracket to its mounting holes in front vertical brace using two trim screws provided. Support bracket lip must be placed under flange of bottom air duct.



IMPORTANT: If this unit is ever removed from the cabinet or the oven is ever pulled out for service, the bottom trim must be removed first or damage to the trim will occur.

11B BOTTOM TRIM INSTALLATION

With oven installed, attach the bottom trim through its mounting holes in front vertical brace using two trim screws provided. Bottom trim lip must be placed under flange of bottom air duct.



Double Wall Oven Installations with a Pedestal

IMPORTANT: If this unit is ever removed from the cabinet or the oven is ever pulled out for service, the bottom trim must be removed first or damage to the trim will occur.

12 FINAL INSTALLATION CHECKLIST

- Check to make sure the circuit breaker is closed (RESET) or the circuit fuses are replaced.
- Be sure power is in service to the building.
- Check that all packing material and tape have been removed. Failure to remove these materials could result in damage to the appliance once the appliance has been turned on and surfaces have heated.
- Remove all items from inside the oven.
- Check to be sure that the mounting screws are installed and flush with the side trim (see Section 10).
- Check that the bottom trim is installed properly (see Section 11).
- Ensure that air duct opening at bottom of unit is free of obstructions.
- Check that oven racks function smoothly.
- If applicable - install handles following handle installation instructions and check that both ends are secured.

OPERATION CHECKLIST

- Turn on the power to the oven (refer to your Owner's Manual). Verify that the bake and broil units and all cooking functions operate properly.
- See your Owner's Manual for the troubleshooting list.
- Be sure all of the oven controls are OFF before leaving the oven.

Instrucciones de Instalación

Hornos Eléctricos de Pared Empotrables con Apertura de Puerta Lateral de 30" (mostrado del Lado Izquierdo, Lado Derecho opuesto)

ANTES DE COMENZAR

Lea estas instrucciones por completo y con detenimiento.

- **IMPORTANTE** – Guarde estas instrucciones para el uso de inspectores locales.
- **IMPORTANTE** – Cumpla con todos los códigos y ordenanzas vigentes.
- **Nota al instalador** – Asegúrese de dejar estas instrucciones con el Consumidor.

- **Nota al consumidor** – Conserve estas instrucciones para referencia futura.
- **Nivel de destreza** – La instalación de este aparato requiere un instalador o electricista calificados.
- El instalador tiene la responsabilidad de efectuar una instalación adecuada.
- La garantía no cubre las fallas del producto provocadas por una instalación incorrecta.
- Este producto sólo se debe usar en áreas interiores.

ATENCIÓN INSTALADOR: Todos los hornos de pared eléctricos deben contar con cableado de conexión permanente (cableado directo) dentro de una caja de conexiones aprobada. En estos productos NO se permite la conexión del tipo "enchufe y receptáculo".

PARA SU SEGURIDAD:

⚠ ADVERTENCIA

Antes de comenzar la instalación, desconecte la energía del panel de servicio y bloquee los medios de desconexión para evitar el accionamiento de la energía de manera accidental. Cuando los medios de desconexión de servicio no pueden bloquearse, coloque sobre el panel de servicio un dispositivo de advertencia bien visible, como una etiqueta.

El horno debe instalarse bien en un gabinete que se encuentre firmemente sujeto a la estructura de la casa. Si se coloca peso sobre la puerta del horno, éste puede volcarse y provocar lesiones. Nunca permita que nadie se suba, siente, pare o cuelgue de la puerta del horno.

Verifique que el revestimiento de las paredes, mostradores y gabinetes ubicados alrededor del horno puedan soportar el calor (hasta 200°F [93,3°C]) generado por el horno.

MATERIALES QUE PUEDE NECESITAR

- Caja de conexiones
- Tapones de alambre
- Abrazadera de alivio de tensión para conducto de 1/2" 36" (91 cm) de Cuerda

HERRAMIENTAS NECESARIAS

- Broca de perforadora de 1/8" y perforadora eléctrica o de mano
- Destornillador de T20
- Destornillador de estrella
- Alicates pelacables

1 QUITÉ LOS MATERIALES DE EMPAQUE

No quitar los materiales de empaque puede provocar daños al electrodoméstico. Quite todas las partes de empaque del horno, bandejas y elementos de calentamiento. Quite la película protectora y las etiquetas de la puerta exterior y panel de control. También, quite los elementos plásticos de los rebordes y panel, toda la cinta que cubre el horno y los tornillos de envío que fijan el horno a la almohadilla base. Abra la puerta del horno y quite el material informativo y las bandejas del horno. Quite el reborde inferior de la parte superior del horno. Se colocará al final del proceso de instalación. El reborde se encuentra envuelto en forma separada y adherido en la parte superior de la unidad. Retire los rieles del pedestal de la caja que está aparte y déjelos a un costado (Hornos con Pared Doble de 30" Únicamente).

INFORMACIÓN DE DISE

INSTALACIONES DE HORNO ÚNICO

El horno único puede instalarse solo en un gabinete o sobre un cajón calentador. El horno único también puede ser instalado uno al lado del otro, debajo de una mesada, o debajo de superficies de cocción específicas. Vea la etiqueta de la parte superior del horno para consultar los modelos aprobados.

INSTALACIONES DE HORNOS DOBLES

Un horno doble puede ser instalado en un gabinete solo o sobre un cajón para calentar. Vea la etiqueta de la parte superior del horno para consultar los modelos aprobados.

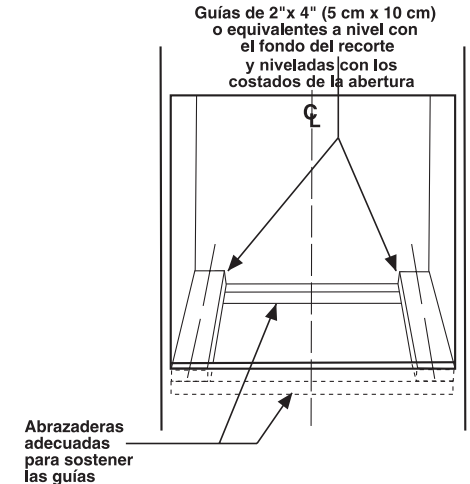
IMPORTANTE: Siempre consulte las instrucciones de instalaciones individuales enviadas con cada producto para requerimientos específicos.

2 PREPARE LA ABERTURA

NOTA: Si el gabinete no cuenta con un fondo sólido, deben instalarse dos abrazaderas o guías para soportar el peso del horno. Para hornos únicos, las guías o abrazaderas deben soportar 220 lbs (99 kgs). Para hornos dobles, las guías o abrazaderas deben soportar 400 lbs (181 kgs).

NOTA: Si marcas, imperfecciones o la abertura resultaran visibles sobre el horno instalado, es posible que sea necesario agregar cuñas de madera debajo de las correderas hasta que las marcas o aberturas estén cubiertas.

NOTA: Si el gabinete no cuenta con un armazón frontal y los lados son menores a un grosor de 3/4" (1,9 cm), coloque cuñas uniformemente sobre ambos lados para establecer al ancho de la abertura.

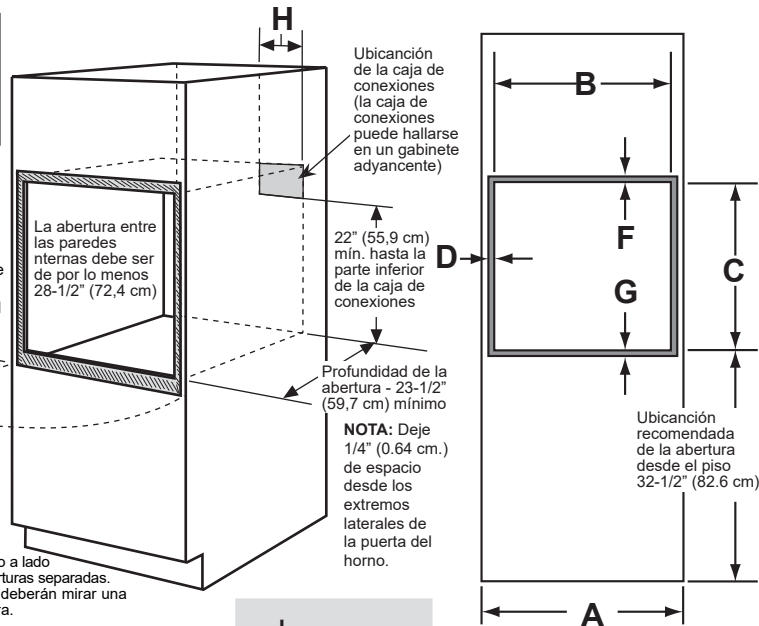


2 A ABERTURA PARA HORNOS ÚNICOS EN UN GABINETE DE PARED

NOTA: Si el gabinete no cuenta con un armazón frontal y los lados son menores a un grosor de 3/4" (1,9 cm), coloque cuñas uniformemente sobre ambos lados para establecer al ancho de la abertura.

Estos hornos no están aprobados para instalaciones apilables.

Se muestra la apertura de puerta del lado izquierdo. La apertura de puerta del lado derecho es opuesta.



Abertura – cumpla con todas las dimensiones y requerimientos.

Abertura – cumpla con todas las dimensiones y requerimientos.

2" (5,1 cm) mín.

Dim.	Descripción de la dimensión	Horno único de 27"	Horno único de 30"
A	Ancho del gabinete	27" (68,6 cm)	30" (76,2 cm)
B	Ancho de la abertura	25" (63,5 cm) mín. 25 1/4" (64,1 cm) máx.	28 1/2" (72,4 cm) mín. 28 3/8" (72,7 cm) máx.
C	Altura de la abertura	27 5/8" (70,2 cm) mín. 28 1/8" (71,4 cm) máx.	27 1/4" (69,2 cm) mín. 27 5/16" (69,4 cm) máx.
D	Espacio desde la abertura – extremos laterales*	1" (2,5 cm)	1 1/8" (1,75 cm)
E	Espacio respecto de esquinas adyacentes, cajones, paredes, etc., cuando la puerta está abierta	23" (50,8 cm) mín.	23" (53,3 cm) mín.
F	Espacio desde la abertura – parte superior*	1" (2,5 cm) mín.	1" (2,5 cm) mín. (1 1/4" (3,2 cm) para PT9050, ZET1S y ZET1P)
G	Espacio desde la abertura – parte inferior*	1" (2,5 cm) mín.	1 1/4" (3,2 cm)
H	Ubicación de la caja de conexiones	8 3/4" (22,2 cm) máx sólo lado derecho	9 1/2" (24,1 cm) máx. sólo lado derecho
J	Profundidad de la apertura de la puerta – Deje espacio adicional para la instalación y uso del horno	16 1/4" (41,3 cm) mín.	16 1/4" (41,3 cm) mín.
K	Protuberancia de la mesada o de la puerta del gabinete (medida si existe)	Medida "M"	Medida "M"
L	Brecha entre el extremo de la mesada o de la puerta del gabinete y la abertura del gabinete	Si M = 0, N = 0, de otra forma N = M + 1" (2,54 cm) mín.	Si M = 0, N = 0, de otra forma N = M + 1" (2,54 cm) mín.

* Se refiere al espacio mínimo requerido para la instalación del horno de pared y no refleja las dimensiones reales del producto.

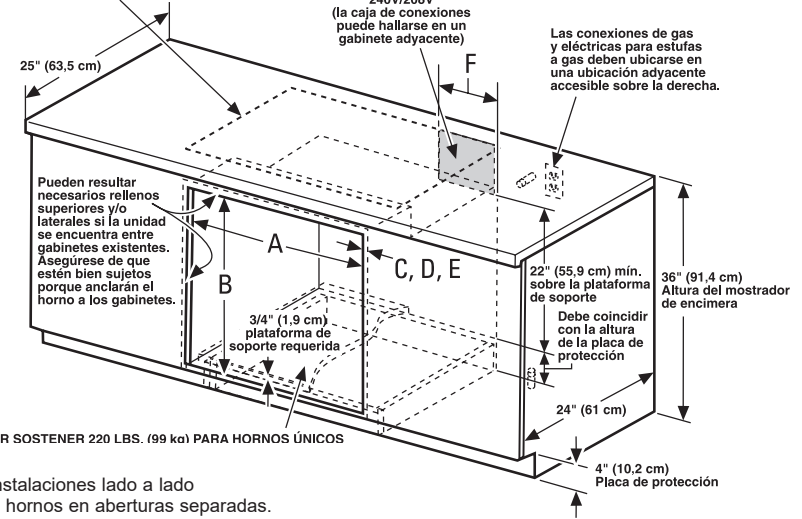
2 B ABERTURA PARA HORNOS ÚNICOS – BAJO EL MOSTRADOR DE ENCIMERA

NOTA: Estos hornos sólo pueden instalarse bajo los modelos específicos como se indica en la etiqueta de la unidad.

Pueden instalarse estufas a gas o eléctricas sobre este horno. Ver las instrucciones de instalación de la estufa para el tamaño de la abertura. Ver la etiqueta de la parte superior del horno para modelos aprobados.

Ubicación de la caja de conexiones de 240V/208V (la caja de conexiones puede hallarse en un gabinete adyacente)

Las conexiones de gas y eléctricas para estufas a gas deben ubicarse en una ubicación adyacente accesible sobre la derecha.

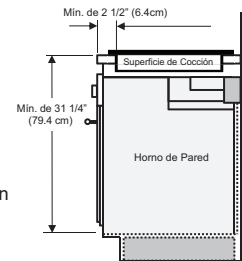


Estufa

Abertura – cumpla con todas las dimensiones y requerimientos.

Abertura – cumpla con todas las dimensiones y requerimientos.

IMPORTANTE: Mantenga una distancia mínima de 31 1/4" desde la superficie superior de la mesada hasta la plataforma del horno de pared, a fin de asegurar que la superficie de cocción y el horno de pared no interfieran uno con el otro (vea la figura).



NOTA: Una estufa puede centrarse sobre cualquier horno en la instalación de lado a lado.

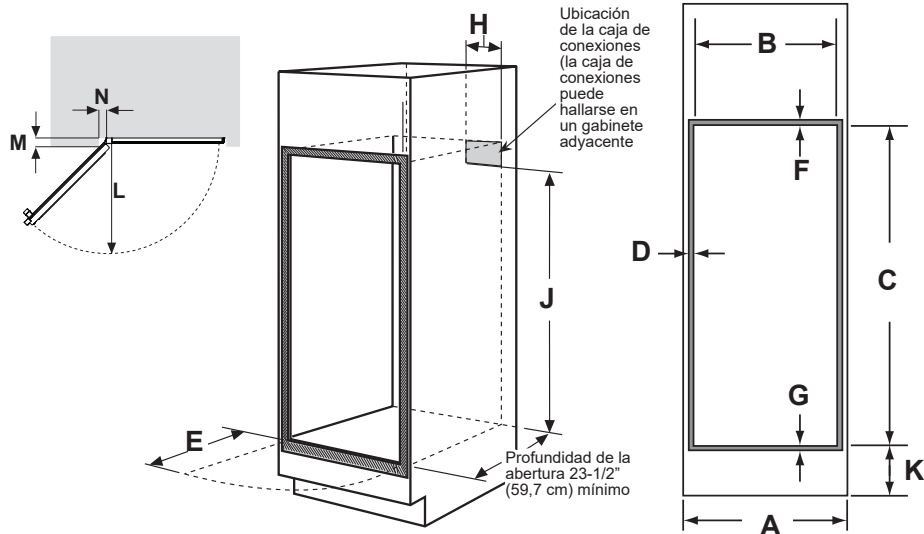
Dimensión	Descripción de la dimensión	Horno único de 30"
A	Ancho del gabinete	28 1/2" (72,4 cm) mín 28 3/8" (72,7 cm) máx.
B	Altura de la abertura	27 1/4" (69,2 cm) mín. 27 5/16" (69,4 cm) máx.
C	Espacio desde la abertura – parte superior*	1" (2,5 cm) (1 1/4" (3,2 cm) para PT9050, ZET1S y ZET1P)
D	Espacio desde la abertura – parte inferior*	1 1/4" (3,2 cm)
E	Espacio desde la abertura – extremos laterales*	1 1/8" (1,75 cm)
F	Ubicación de la caja de conexiones	9 1/2" (24,1 cm) máx. sólo lado derecho

* Se refiere al espacio mínimo requerido para la instalación del horno de pared y no refleja las dimensiones reales del producto.

Continúe en la sección 4.

2 | C ABERTURA PARA HORNOS DOBLES (2 HORNOS TÉRMICOS)

NOTA: Si el gabinete no cuenta con un armazón frontal y los lados son menores a un grosor de 3/4" (1,9 cm), coloque cuñas uniformemente sobre ambos lados para establecer al ancho de la abertura.



Dim.	Descripción	Horno doble de 30" con pedestal	Horno doble de 30" sin pedestal
A	Ancho del gabinete	30" (76,2 cm)	30" (76,2 cm)
B	Ancho de la abertura	28½" (72,4 cm) min. 28¾" (72,7 cm) max.	28½" (72,4 cm) min. 28¾" (72,7 cm) max.
C	Altura de la abertura	51¼" (131,6 cm) min. 51½" (131,9 cm) max.	50 ¼" (127,64cm)
D	Espacio desde la abertura – extremos laterales*	¼" (1,75 cm)	¼" (1,75 cm)
E	Espacio respecto de esquinas adyacentes, cajones paredes, etc., cuando la puerta está abierta	31½" (77,8 cm) min.	31½" (77,8 cm) min.
F	Espacio desde la abertura – parte superior*	1" (2,5 cm) min. (¼" (3,2 cm) para PT9550, ZET2S y ZET2P)	1" (2,5 cm) min. (¼" (3,2 cm) para PT9550, ZET2S y ZET2P)
G	Espacio desde la abertura – parte inferior*	¼" (3,2 cm)	¼" (3,2 cm)
H	Ubicación de la caja de conexiones	9½" (24,1 cm) max. sólo lado derecho	9½" (24,1 cm) max. sólo lado derecho
J	Altura hasta la parte inferior de la caja de conexiones	47" (119,4 cm)	47" (119,4 cm)
K	Ubicación recomendada de la abertura desde el piso	12" (30,5 cm)	12" (30,5 cm)
L	Profundidad de la apertura de la puerta – Deje espacio adicional para la instalación y uso del horno	31½" (77,8 cm) min.	31½" (77,8 cm) min.
M	Protuberancia de la mesada o de la puerta del gabinete (medida si existe)	Medida "M"	Medida "M"
N	Brecha entre el extremo de la mesada o de la puerta del gabinete y la abertura del gabinete	Si M = 0, N = 0, de otra forma N = M + 1" (2,54 cm) min.	Si M = 0, N = 0, de otra forma N = M + 1" (2,54 cm) min.

* Se refiere al espacio mínimo requerido para la instalación del horno de pared y no refleja las dimensiones reales del producto.

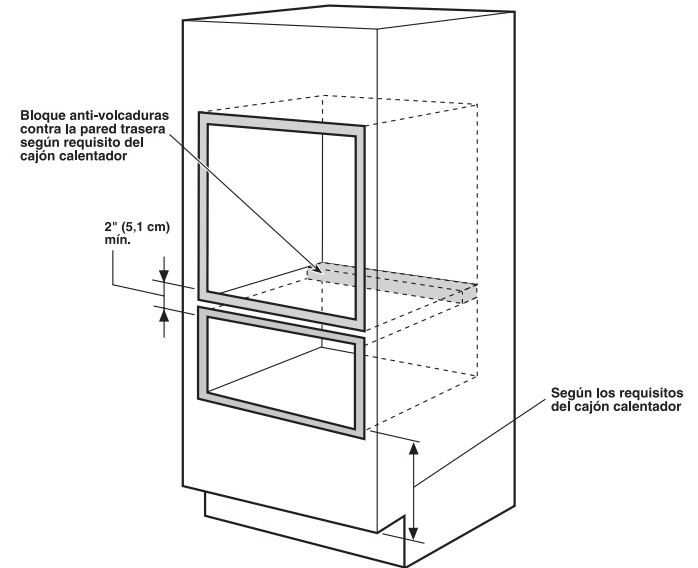
Continúe en la sección 3.

2 | D ABERTURA PARA INSTALACIÓN SOBRE UN CAJÓN CALENTADOR

NOTA: Instale el horno sólo con los modelos específicos listados en la etiqueta ubicada en la parte superior del horno.

NOTA: Pueden necesitarse espacios adicionales entre las aberturas. Verifique que los soportes del horno sobre la ubicación de cajón calentador no obstruyan la profundidad y altura interiores requeridas.

Cuando instale un cajón calentador debajo de un horno único o doble, debe instalarse un tomacorriente separado de 120V, 60 HZ con adecuada conexión a tierra. Consulte las instrucciones de instalación enviadas con el cajón calentador para requisitos específicos de instalación.



Continúe a la Sección 3 para conocer detalles del DWO con Pedestal. De otra forma, continúe a la Sección 4.

3 A DETERMINACIÓN SOBRE CUÁNDO USAR EL PEDESTAL (HORNOS DOBLES DE 30" ÚNICAMENTE)

Cuándo usar el Pedestal

Al reemplazar un antiguo horno de pared doble de 30" de GE Appliances por un modelo nuevo de GE Appliances. Altura de la abertura = 51 13/16" a 51 15/16". Ésta es la altura de la abertura tradicional.

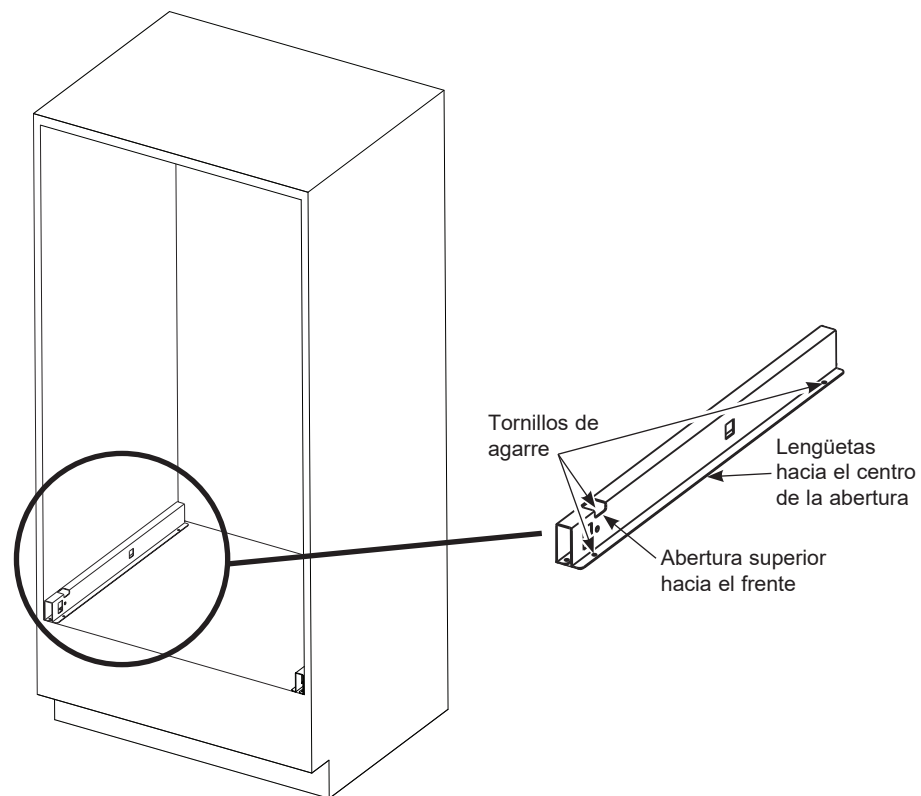
Cuándo NO usar el Pedestal

Al reemplazar un horno de pared doble de 30" de otro fabricante (tal como Whirlpool) por un nuevo horno de pared doble de 30" de GE Appliances. Altura de la abertura = 50 1/4". Usted deberá verificar que la abertura existente coincida con la dimensión de 50 1/4".

Si el nuevo horno de pared doble de 30" de GE Appliances está siendo instalado en una edificación nueva (es decir, no como un reemplazo), entonces se recomienda que en la instalación se use el pedestal.

3 B INSTALACIÓN DEL RIEL CON PEDESTAL (30" HORNOS DOBLES ÚNICAMENTE)

- A. Posicione los rieles del pedestal con la abertura superior hacia el frente de la abertura y las lengüetas de la parte inferior apuntando hacia el centro. Ubique cada riel sobre el piso o la corredera del gabinete, levemente hacia dentro desde el costado del gabinete. Asegúrese de que el frente de cada riel no sobresalga más allá del frente de la abertura del gabinete.
- B. Realice agujeros de prueba y adjunte los rieles a la rodadura o a la parte inferior del gabinete con el equipo provisto.



4 A AJUSTE DEL ABREPUERTAS

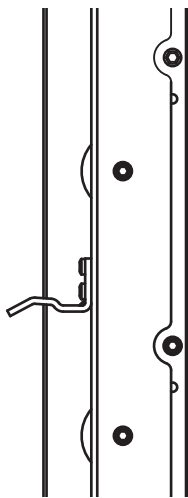
Descripción: el abrepuertas de la unidad mantiene la puerta cerrada durante la cocción y sobresale desde el interior de la estructura del horno. El ángulo del abrepuertas se podrá ajustar si es demasiado difícil o fácil abrir o cerrar la puerta.

Procedimiento: use una pinza de punta plana estándar para aplicar presión hacia abajo o arriba sobre el abrepuertas, de acuerdo a la preferencia del cliente.

- **Difícil de abrir:** Aplique presión hacia abajo para darle al abrepuertas una inclinación adicional de 1 a 6°.

- **Fácil de abrir/ cerrar:** Aplique presión hacia arriba hasta que se logre la fuerza de apertura y cierre deseadas.

NOTA: Se recomienda realizar pequeños ajustes para evitar grandes cambios sobre la fuerza de empuje de apertura y cierre de la puerta.



5 REQUISITOS ELÉCTRICOS

⚠ ADVERTENCIA

Este aparato debe contar con una adecuada conexión a tierra.

⚠ ADVERTENCIA

Para prevenir un incendio o descarga eléctrica, no utilice un cable de extensión con este aparato.

⚠ ADVERTENCIA

Para prevenir una descarga eléctrica, quite el fusible o abra el interruptor de circuitos antes de comenzar la instalación.

⚠ ADVERTENCIA

Una conexión inadecuada de cableado doméstico de aluminio con cables de cobre puede generar un peligro eléctrico o un incendio. Sólo use conectores diseñados para unir cobre con aluminio y siga al pie de la letra el procedimiento recomendado del fabricante.

Recomendamos que un electricista calificado conecte el cableado eléctrico de su aparato. Después de la instalación, solicite al electricista que le indique cómo desconectar la energía del aparato.

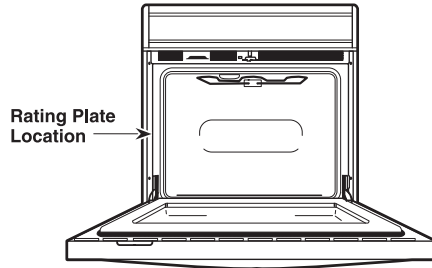
Usted debe usar un sistema eléctrico de fase única de 120/208 VAC o 120/240 VAC de 60 hercios. Si tiene una conexión con cableado de aluminio, deben utilizarse conectores adecuadamente instalados para utilizar con cableado de aluminio.

Vigente desde el 1 de enero de 1996, el Código Eléctrico Nacional requiere que las nuevas construcciones (no existentes) utilicen una conexión de cuatro conductores a un horno eléctrico. Cuando instale un horno eléctrico en una construcción nueva, una casa rodante, un vehículo recreativo o un área donde los códigos locales prohíben la conexión a tierra a través de un conductor neutral, consulte la sección sobre conexiones en circuito derivado de cuatro conductores.

Consulte a las empresas de servicio público sobre los códigos eléctricos que se aplican en su área. No realizar el cableado de su horno de acuerdo con los códigos vigentes puede provocar una situación peligrosa. Si no existen códigos locales, el cableado y fusibles de su horno deben cumplir con el Código Eléctrico Nacional, NFPA N° 70, última edición, disponible en National Fire Protection Association (Asociación Nacional de Protección contra Incendios).

5 REQUISITOS ELÉCTRICOS (CONT.)

Este aparato debe recibir el voltaje y frecuencia adecuados, y debe conectarse a un circuito derivado individual con adecuada conexión a tierra, protegido por un interruptor de circuitos o fusible. Ver la placa de clasificación ubicada en el armazón del horno para determinar la clasificación del producto.



La placa de clasificación se encuentra en el reborde lateral del horno.

Utilice la tabla de abajo para determinar la protección de circuito dedicado mínima recomendada:

Clasificación de KW 240V	Clasificación de KW 208V	Tamaño de circuito recomendado (dedicado)
≤4.8 KW	≤4.1 KW	20 Amp
4.9 KW–7.2 KW	4.2 KW–6.2 KW	30 Amp
7.3 KW–9.6 KW	6.3 KW–8.3 KW	40 Amp
9.7 KW–12.0 KW	8.4 KW–10.4 KW	50 Amp

NO acorte el conducto flexible. La abrazadera del alivio de tensión del conducto debe estar bien sujeta a la caja de conexiones y el conducto flexible debe estar bien sujeto a la abrazadera. Si el conducto flexible no entra dentro de la abrazadera, no instale el horno hasta obtener una abrazadera del tamaño adecuado.

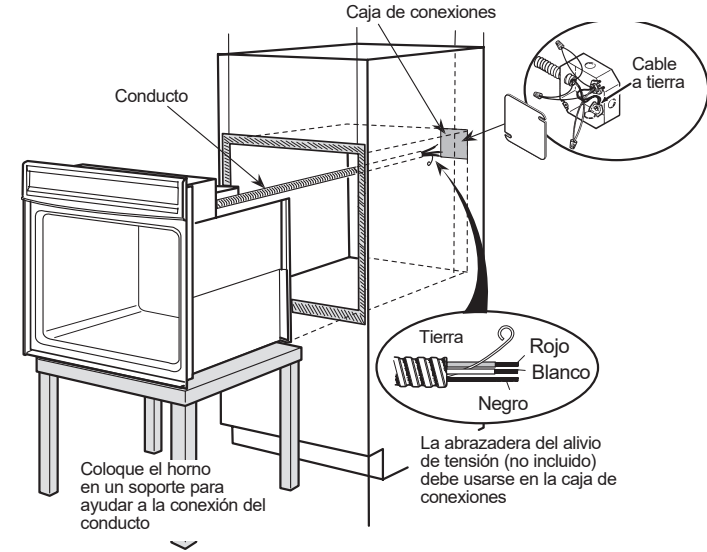
Los 3 cables de energía suministrados con este aparato son adecuados para conexiones con cableados domésticos de calibre mayores. La aislación de estos 3 cables está clasificada a temperaturas mucho más elevadas que la clasificación del cableado doméstico. La capacidad de transmitir corriente del conductor está determinada por el calibre del cable y la clasificación de temperatura de la aislación alrededor del cable.

6 REALICE LAS CONEXIONES ELÉCTRICAS

⚠ ADVERTENCIA

Desconecte la energía del panel de servicio y bloquee los medios de desconexión para evitar el accionamiento de la energía de manera accidental. Cuando los medios de desconexión de servicio no pueden bloquearse, coloque sobre el panel de servicio un dispositivo de advertencia bien visible, como una etiqueta.

Coloque el horno sobre una mesa o plataforma en forma nivelada con la abertura. Para un horno único, la plataforma debe soportar 220 lbs. (99 kg); para un horno doble o combinado, la plataforma debe soportar 400 lbs. (181 kg). Conecte el conducto flexible a la caja de conexiones eléctrica como se indica abajo*. Posicione el conducto de modo tal que se apoye detrás de la unidad en un círculo natural cuando el horno sea instalado.** Tendrá que comprar una abrazadera para alivio de tensión apropiada para completar la conexión del conducto a la caja de conexiones.



*Los hornos vienen equipados con un conducto de 40" o 54" de longitud. Si desea un conducto más largo, puede haber uno disponible para su modelo. Para verificar la disponibilidad o solicitar piezas, llame a GE Appliances al 800.GE.CARES.

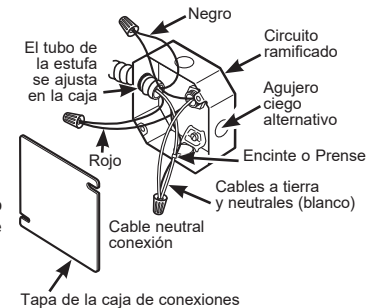
**Horno Combinado con horno microondas superior – se recomienda instalar el conducto a través del costado de la caja de empalmes, como se muestra en la ilustración más arriba.

7 CONEXIÓN DE CIRCUITO DERIVADO DE TRES CONDUCTORES

NOTA: Si los cables del hogar poseen conductores de aluminio, ver la ADVERTENCIA de la sección 5, Requisitos eléctricos.

Cuando conecte un circuito derivado de tres conductores, si lo permiten los códigos locales:

- Conecte el conductor de conexión a tierra junto con el cable neutro (blanco) al neutro del circuito de empalmes (de color blanco o gris), usando una tuerca para cables.
- Conecte el cable rojo del horno al cable rojo del circuito derivado y el cable negro del horno al cable negro del circuito derivado de acuerdo con los códigos locales, utilizando tapones de alambre.
- Instale una abrazadera adecuada de alivio de tensión.
- Instale la tapa de la caja de conexiones.

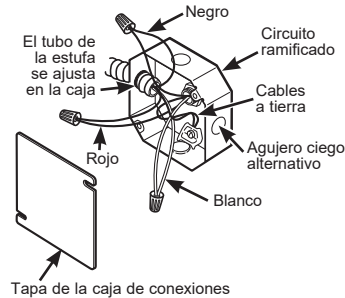


8 CONEXIÓN DE CIRCUITO DERIVADO DE CUATRO CONDUCTORES

NOTA: Si los cables domésticos son conductores de aluminio, ver la ADVERTENCIA de la sección 5, Requisitos eléctricos.

Cuando conecte un circuito derivado de cuatro conductores, si lo permiten los códigos locales:

- Evite que el conductor neutro (blanco) quede enredado con cualquier otro cable. De ser necesario, corte el conductor neutro (blanco) y luego vuelva a pelar el mismo, a fin de exponer la longitud adecuada del conductor.
- Conecte el cable a tierra del aparato (verde o cobre) de acuerdo con los códigos locales.
- Conecte el cable neutro (blanco) del horno con el neutro de circuito derivado (blanco o gris) de acuerdo con códigos locales, utilizando un tapón de alambre.
- Conecte el cable rojo del horno al cable rojo del circuito derivado y el cable negro del horno al cable negro del circuito derivado de acuerdo con los códigos locales, utilizando tapones de alambre.
- Instale una abrazadera adecuada de alivio de tensión.
- Instale la tapa de la caja de conexiones.



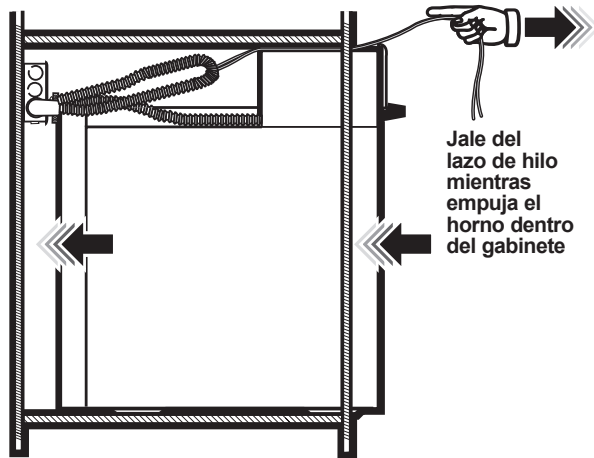
9 DESLICE EL HORNO DENTRO DE LA ABERTURA

A. Enrosque (**no ate**) un hilo de 36" (91 cm) alrededor del conducto antes de deslizar el horno en su lugar. Esto no permitirá que el conducto caiga detrás del horno.

B. Levante el horno dentro de la abertura del gabinete utilizando el horno abierto como agarre. Con cuidado empuje contra el armazón frontal del horno. No presione sobre los bordes externos.

C. A medida que desliza el horno hacia atrás, jale del hilo para que el conducto quede sobre el horno con un lazo natural. Si se trata de un horno combinado, empuje el conducto de modo que se apoye sobre el horno inferior sobre el lado izquierdo (como se ve desde el frente).

D. Cuando se asegure de que el conducto no esté en el camino, deslice el horno $\frac{3}{4}$ hacia atrás dentro de la abertura. Quite el hilo jalando de un extremo del lazo.



10 INSTALE LOS TORNILLOS DE MONTAJE (HORNO TÉRMICO)

ADVERTENCIA

Deben utilizarse tornillos de montaje. Si no lo hace, el horno puede caer del gabinete, lo que provocaría una lesión grave.

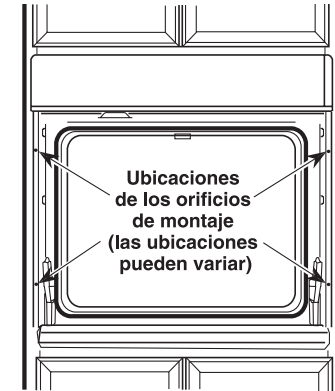
NOTA: Durante el montaje del horno, asegúrese de que no haya daños sobre la junta del horno, que alinea el extremo de la cavidad del horno

NOTA: Antes de perforar los orificios piloto, asegúrese de que el horno se encuentre en la posición final de la abertura y centrado.

NOTA: Si el gabinete es de placa de partículas, deben utilizarse tornillos #8 x $\frac{3}{4}$ " para dicho material. Éstos pueden adquirirse en cualquier ferretería.

A. Perfore a través de los orificios de montaje (superiores e inferiores) del reborde lateral para los tornillos de montaje #8 provistos.

B. Asegure el gabinete del horno con los tornillos provistos.



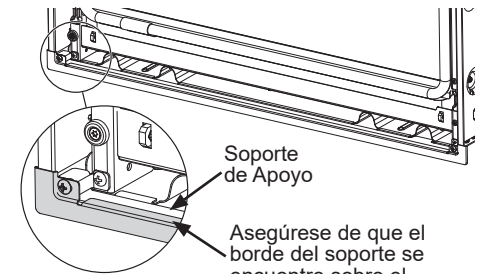
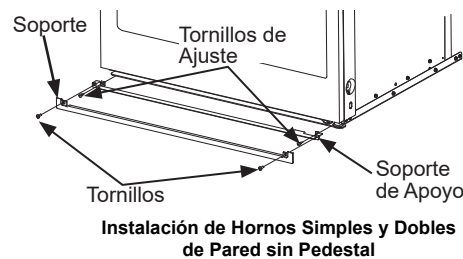
Ubicaciones de los orificios de montaje (las ubicaciones pueden variar)

Los tornillos deben hallarse a un mínimo de $\frac{1}{4}$ " (6 mm) desde el frente de la abertura.

Algunos modelos cuentan con manijas a medida. Por favor, siga las instrucciones para una correcta instalación de las manijas.

11A INSTALACIÓN DEL BORDE INFERIOR – SIN PEDESTAL

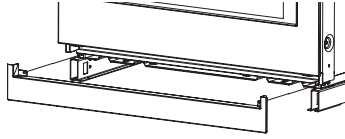
Una vez instalado el horno, adhiera el soporte de apoyo sobre sus agujeros de montaje frente a la abrazadera vertical usando los dos tornillos de ajuste provistos. El borde del soporte se deberá colocar debajo de la pestaña del conducto de aire inferior.



IMPORTANTE: Si esta unidad alguna vez se quita del gabinete o si el horno se quita de servicio, el reborde inferior debe quitarse antes o el reborde sufrirá daños.

11B INSTALACIÓN DEL REBORDE INFERIOR

Una vez instalado el horno, adjunte el borde inferior a través de sus agujeros de montaje frente al soporte vertical, utilizando los dos tornillos con cabeza recortada provistos. El labio de la cubierta inferior deberá ser ubicado debajo de la brida de la parte inferior del conducto de aire.



**Instalaciones de Horno de Pared
Doble con Pedestal**

IMPORTANTE: Si esta unidad alguna vez se quita del gabinete o si el horno se quita de servicio, el reborde inferior debe quitarse antes o el reborde sufrirá daños.

12 LISTA DE CONTROL FINAL DE LA INSTALACIÓN

- Verifique que el interruptor de circuitos se encuentre cerrado (RESET) o que los fusibles del circuito se hayan reemplazado.
- Asegúrese de que haya suministro eléctrico en el edificio.
- Controle que se haya quitado todo el material de empaque y la cinta adhesiva. No quitar estos materiales puede provocar daños al electrodoméstico una vez que el aparato se haya encendido y las superficies se hayan calentado.
- Quite todos los elementos ubicados dentro del horno.
- Asegúrese de que los tornillos de montaje se encuentren instalados y nivelados con el reborde lateral (ver sección 10).
- Verifique que el reborde inferior esté bien instalado (ver sección 11).
- Asegúrese de que la abertura inferior del conducto de aire de la unidad esté libre de obstrucciones.
- Controle que los estantes del horno funcionen de forma fluida.
- Si corresponde, instale las manijas siguiendo las instrucciones de instalación de las mismas y controle que ambos extremos se encuentren asegurados.

LISTA DE CONTROL DE FUNCIONAMIENTO

- Accione la energía del horno (consulte el Manual del propietario). Verifique que las unidades de horneado y asado y que todas las funciones de cocción operen bien.
- Ver el Manual del propietario para la lista de detección y solución de problemas.
- Asegúrese de que todos los controles del horno se encuentren en OFF (apagado) antes de dejar el horno.