

PTS700LSN

GE Profile™ 30" Smart Built-In Convection Single Wall Oven with Left-Hand Side-Swing Doors

DIMENSIONS AND INSTALLATION INFORMATION (IN INCHES)

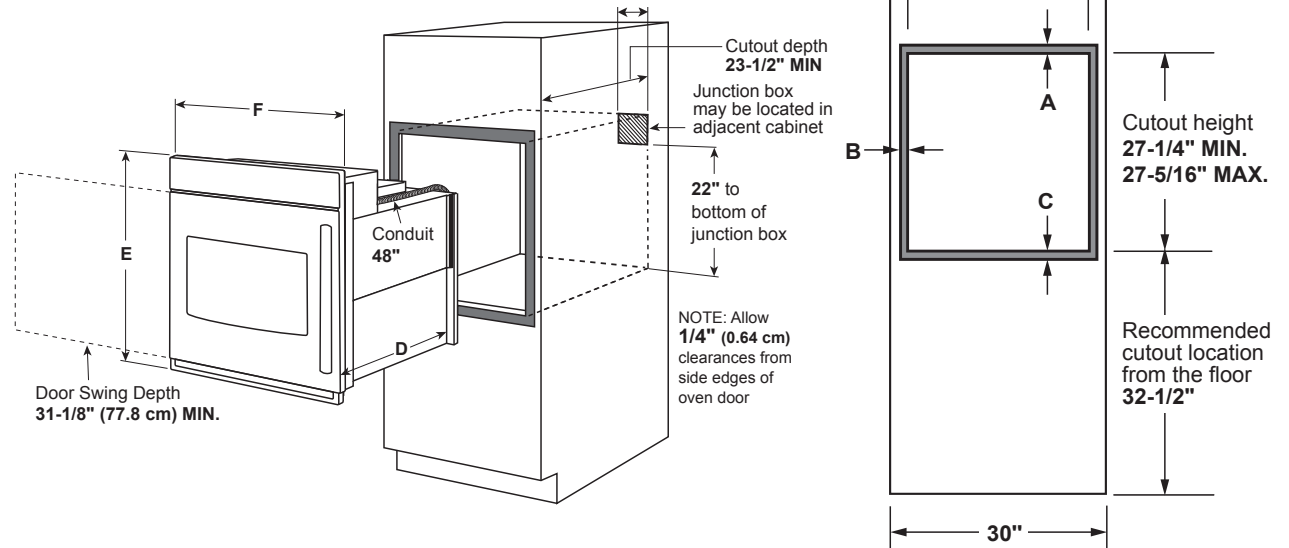
NOTE: Wall coverings, countertops and cabinets surrounding the wall oven must be able to withstand a temperature of up to 200°F (94°C).

NOTE: If the cabinet in which the wall oven is installed does not have a solid bottom, two braces or runners must be installed to support the weight of the oven. The runners and braces must support up to 400 lbs (181 kg).

NOTE: Door handle protrudes 3" from door face. Cabinets and drawers on adjacent 45° and 90° walls should be placed to avoid interference with the handle.

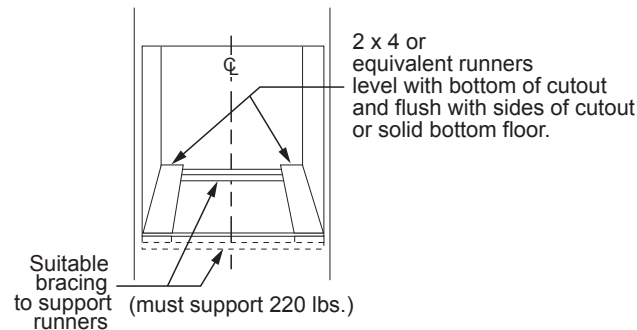
ATTENTION INSTALLER: Electric wall ovens are NOT approved for installation with a plug and receptacle. They must be hard wired into an approved junction box.

IMPORTANT: Before installing, consult installation instructions packed with product for current dimensional data.



Dimension and installation information are shown in inches.

KW RATING	
240V	4.2
208V	3.2
BREAKER SIZE	
240V	20 Amps
208V	20 Amps



Cabinet	30"
A - Overlap of oven at top of cutout	1"
B - Overlap of oven other side of edge of cutout	11/16"
C - Overlap of oven at bottom of cutout	1-1/4"
Oven	
D - Install depth	23-1/2"
E - Overall height with trim	28-5/8"
F - Overall width	29-3/4"



For answers to your GE Profile™ or GE Appliances product questions, visit our website at geappliances.com or call GE Answer Center® Service, 800.626.2000.



Listed by Underwriters Laboratories



PTS700LSN

GE Profile™ 30" Smart Built-In Convection Single Wall Oven with Left-Hand Side-Swing Doors

DIMENSIONS AND INSTALLATION INFORMATION (IN INCHES)

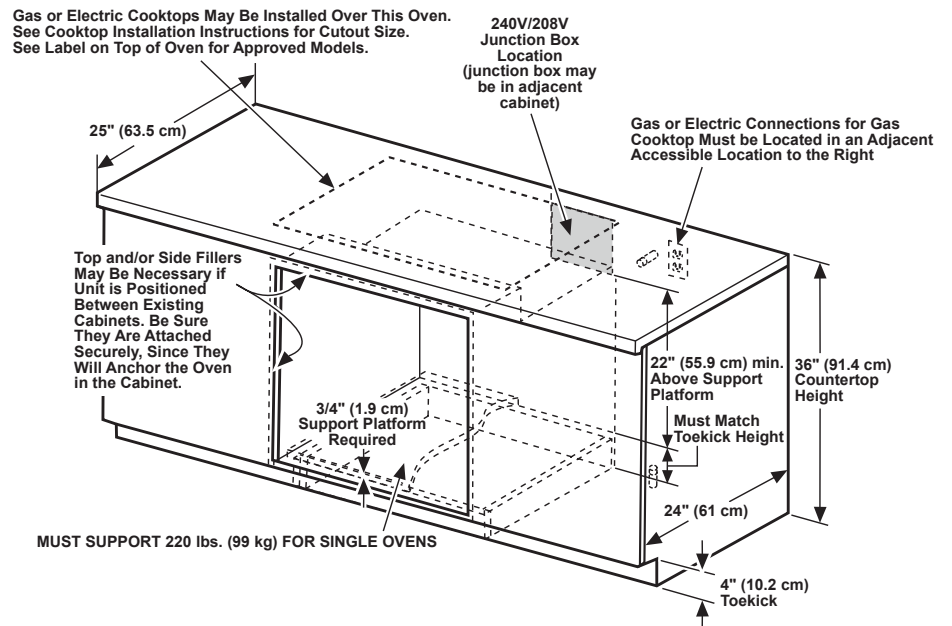
NOTE: 30" Single electric wall ovens are approved for installation below a countertop, and below certain gas and electric cooktops. Refer to the Approved Combinations Matrix available at geappliances.com for specific information.

NOTE: 30" Single electric wall ovens are approved for installation above 27" and 30" warming drawers.

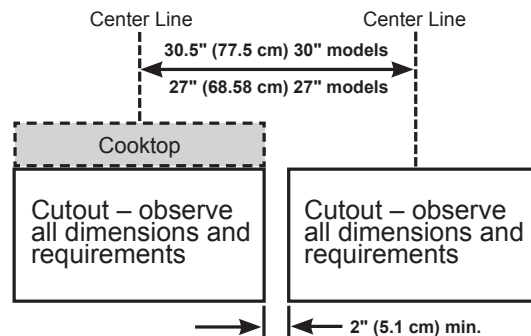
ATTENTION INSTALLER: Electric wall ovens are NOT approved for installation with a plug and receptacle. They must be hard wired into an approved junction box.

IMPORTANT: Before installing, consult installation instructions packed with ALL products for current dimensional and combination data.

UNDERCOUNTER INSTALLATION



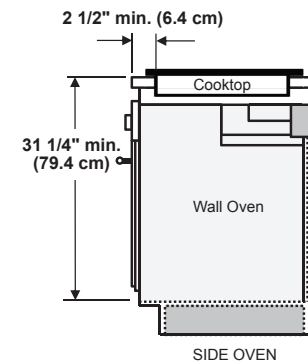
SIDE-BY-SIDE INSTALLATION (TWO OVENS IN SEPARATE CUTOUTS)



NOTE: One cooktop may be centered over either oven in the side-by-side installation.

INSTALLATION BELOW A COOKTOP

IMPORTANT: Maintain a minimum distance of 31 1/4" from the top surface of the countertop to the wall oven platform to ensure that the cooktop and wall oven do not interfere with each other (see picture).



For answers to your GE Profile™ or GE Appliances product questions, visit our website at geappliances.com or call GE Answer Center® Service, 800.626.2000.

PTS700LSN

GE Profile™ 30" Smart Built-In Convection Single Wall Oven with Left-Hand Side-Swing Doors

FEATURES AND BENEFITS

Swing Door –An innovative door design that opens to the side instead of down, eliminating awkward reaching.

Precision Cooking Modes* –Simplify the cooking process with precision cooking modes that automatically track progress, and make time and temperature adjustments.

No Preheat Air Fry –Integrated hot air frying technology gives you crispy results in your oven without using oil.

No Preheat –Eliminate the need for preheating and save time with a variety of precision cooking modes.

Built-in WiFi –This smart oven features built-in WiFi so you can control oven functions with the SmarTHQ app on your smart device.

Full-Color Display –Easily navigate wall oven settings thanks to a 7" touchscreen display.

True European Convection with Direct Air –This oven features True European Convection, an advanced convection system that uses a third heating element and reversing fan for the highest level of heat and air circulation.

Easy-Glide, Never-Scrub Rack –This smooth-gliding oven rack can be left in the oven during the self-clean cycle so you never have to scrub.

Temperature Probe –A precision temperature probe connects to the oven to ensure your food is properly cooked.

Self-Clean with Steam Clean –This self-cleaning oven uses optional steam cleaning for light soils to clean the oven cavity with less heat and odor.

Fit Guarantee –This oven will fit your existing cut-out, or GE Appliances will help pay for modifications up to \$300.

Model PTS700LSNSS – Stainless Steel

*Available once connected to WiFi.



Visit geappliances.com for more info.

