

# Dual Fuel Range, 48", 5 Burners with Griddle, Self-cleaning, LPG

Series 9 | Professional

Stainless Steel with Black Glass | LPG



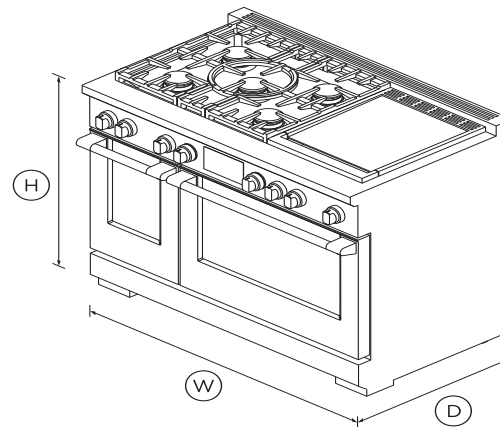
With intuitive touchscreen and specialized cooking functions across two ovens, this range is a stand-out addition to your kitchen.

- Guided cooking using your touchscreen makes it simple to cook by food, function or recipe.
- Gas cooktop with a griddle and five burners that deliver up to 19,000 BTU for fast boiling
- 6.9 cu ft total oven capacity across two oven cavities

- Beautiful LED halo-illuminated dials provide information at a glance

## DIMENSIONS

Height	35 <sup>3</sup> / <sub>4</sub> - 36 <sup>3</sup> / <sub>4</sub> "
Width	47 <sup>7</sup> / <sub>8</sub> "
Depth	29 <sup>1</sup> / <sub>8</sub> "



## FEATURES & BENEFITS

### Cook with confidence

Our touchscreen interface provides an intuitive guided cooking experience that helps deliver perfect results, whether you've been cooking all your life or just starting out. Cook with a favorite method, a hero ingredient, or a go-to cooking function or recipe. The screen tilts for improved ergonomics and optimal

visibility while cooking.

## SPECIFICATIONS

### Accessories

Square handle option	AH-R48
----------------------	--------

### Capacity

Total capacity	6.9cu ft
----------------	----------

### Cleaning

- Dishwasher proof trivets
- Pyrolytic self-clean

### Controls

- High resolution display
- Metal illuminated dials
- Sabbath mode
- Wifi connectivity

### Gas requirements

Fitting and pipe	½ NPT, min. &frac58;" Ø flex
Supply Pressure (LPG)	11" to 14" W.C

### Main oven features

- Bake
- Clean
- Convection Bake
- Convection Broil
- Large broil pan

Main oven- Self cleaning	•
Main oven- True convection	•
Number of main oven functions	<b>15</b>

**Oven features**

Concealed element	•
Electronic oven control	•
Full extension telescopic	<b>2</b>
Internal light	•
Pyrolytic self-clean	•

**Oven functions**

Pyrolytic self-clean	•
----------------------	---

**Oven performance**

Main Oven Shelf Positions	<b>5</b>
Main Oven Total Capacity	<b>4.8cu ft</b>
Main Oven Usable Capacity	<b>3.8cu ft</b>
Main oven- Bake	<b>4600W</b>
Main oven- Broil	<b>4000W</b>
Main oven- True convection	<b>2500W</b>
Secondary Oven- Bake	<b>2450W</b>
Secondary Oven- Broil	<b>3600W</b>
Secondary Oven- Capacity	<b>2.1cu ft</b>
Secondary Oven- Capacity	<b>1.8cu ft</b>
Secondary Oven- Shelf	<b>5</b>

**Power requirements**

Electric circuit	<b>4 wire</b>
Rated current	<b>50A</b>

Supply frequency	<b>60Hz</b>
Supply voltage	<b>120 - 240W</b>

**Product dimensions**

Depth	<b>29 1/8 "</b>
Depth (Excluding handles)	<b>29 1/8 "</b>
Height	<b>35 3/4 - 36 3/4 "</b>
Height (excluding vent trim)	<b>35 3/4 - 36 3/4 "</b>
Width	<b>47 7/8 "</b>

**Rangetop features**

Sealed Dual Flow Burners™	<b>5</b>
Sealed range top	•
Simmer on all burners	<b>140°F</b>
Vent trim included	<b>Flat vent trim</b>

**Rangetop Performance**

Max burner power	<b>19000BTU</b>
Power back left	<b>11500BTU</b>
Power back right	<b>11500BTU</b>
Power centre	<b>19000BTU</b>
Power front left	<b>15000BTU</b>
Power front right	<b>15000BTU</b>
Power griddle	<b>24000BTU</b>
Total cooktop power	<b>96000BTU</b>

**Secondary Oven features**

Bake	•
Convection Bake	•
Convection Broil	•

Secondary oven functions	<b>11</b>
--------------------------	-----------

**Warranty**

Parts and labor	<b>Limited 2 Year Parts &amp; Labor</b>
-----------------	---

SKU	<b>81895</b>
-----	--------------

The product dimensions and specifications in this page apply to the specific product and model. Under our policy of continuous improvement, these dimensions and specifications may change at any time. You should therefore check with Fisher & Paykel's Customer Care Centre to ensure this page correctly describes the model currently available. Â© Fisher & Paykel Appliances Ltd 2019.



**A PEACE OF MIND SALE**

24 Hours 7 Days a Week Customer Support

T 1300 650 590 W [www.fisherpaykel.com](http://www.fisherpaykel.com)