

# Freestanding French Door Refrigerator Freezer, 32", 16.9 cu ft, Ice

Series 7 | Contemporary

Stainless Steel

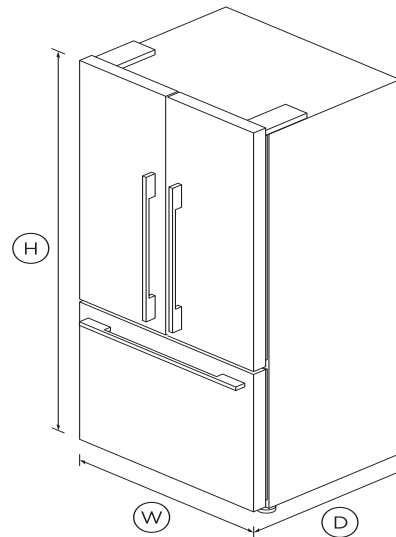


Designed for those who need plenty of flexible space for their food storage, with a stylish, flush-fit stainless steel finish.

- ActiveSmart™ technology helps keep food fresher for longer by constantly maintaining the ideal temperature.
- Internal ice maker with boost for those busy times
- Spacious bottom freezer with easy-slide internal drawers to separate storage
- With SmartTouch control panel for ease of use

## DIMENSIONS

Height	67 <sup>1</sup> / <sub>2</sub> "
Width	31 <sup>3</sup> / <sub>32</sub> "
Depth	27 <sup>3</sup> / <sub>8</sub> "



## FEATURES & BENEFITS

### ActiveSmart™ Foodcare

This refrigerator freezer adapts to daily use by cooling and defrosting only when needed. ActiveSmart™ Foodcare technology uses energy efficiently without compromising on food care.

### Flexible storage

Adjustable shelves and door storage give you plenty of room to stack and pack all your groceries. Storage bins give you full

access inside when they're pulled open and can be easily removed to clean.

### Humidity Control

Your fruit and veges need different environments to stay fresh. Humidity control in each storage bin allows you to maintain a microclimate that helps keep food fresher for longer.

### Design quality

Our fridges are designed and built using quality materials. We use real stainless steel on our fridges and solid glass for shelving.

### Internal ice maker

Fresh ice is always available for you in a dedicated freezer bin. Simply turn it off to free up freezer space or during busy times, you can boost ice production by up to 30%.

### Easy Cleaning

No more stubborn dirty marks with our EZKleen feature for stainless steel fridges. Anti-fingerprint coating means you simply wipe clean any marks. Spill-safe secure glass shelves easily capture any drips or leaks.

### Easy to use

The SmartTouch control panel has been designed to be intuitive for ease to use, and is conveniently placed near the front of the fridge.

## SPECIFICATIONS

### Accessories

Matching Replacement Water	Part number 847200
----------------------------	--------------------

### Capacity

Freezer	4.8cu ft
Refrigerator	12.1cu ft
Total	16.9cu ft
Total gross capacity	16.9cu ft

**Consumption**

Energy usage **585kWh/year**

**Freezer features**

- Automatic ice maker •
- Bottle chill •
- Door alarm •
- Fast freeze •
- Frost free freezer •
- Ice Boost •
- Ice bin and scoop •
- LED lighting •
- Large plastic bin •
- Large plastic bins •
- Small plastic bins **2**

**Performance**

- ActiveSmart™ technology •
- Adaptive defrost •
- Frost free freezer •
- Humidity control system •
- Inverter controlled compressor •
- Sabbath mode •

**Product dimensions**

Depth **27 <sup>3</sup>/<sub>8</sub> "**  
 Height **67 <sup>1</sup>/<sub>2</sub> "**  
 Width **31 <sup>3</sup>/<sub>32</sub> "**

**Refrigerator features**

- Adjustable door shelves **6**
- Adjustable glass shelves **3**
- Covered door shelves **2**
- Deli storage bins **2**
- Door alarm •
- Fruit and vegetable bins **2**
- LED lighting •
- SmartTouch control panel •
- Soft close doors •
- Stackable bottle holders **4**

**Warranty**


- Parts and labor **2 years**
- Sealed system parts only **5 years**

SKU **25802**

The product dimensions and specifications in this page apply to the specific product and model. Under our policy of continuous improvement, these dimensions and specifications may change at any time. You should therefore check with Fisher & Paykel's Customer Care Centre to ensure this page correctly describes the model currently available. Â© Fisher & Paykel Appliances Ltd 2019.

**Other product downloads available at fisherpaykel.com**

 [User Guide](#)

 [Service & Warranty Booklet](#)

 [Installation Guide](#)



**A PEACE OF MIND SALE**

**24 Hours 7 Days a Week Customer Support**

**T 1300 650 590 W www.fisherpaykel.com**