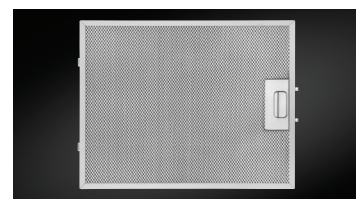




IBF4I Series

The IBF4I Island features a streamlined angular shape. The understated elegance of this hood brings a modern touch to any kitchen.

- Powered by internal blower system with 400 MAX blower CFM. Quiet 2.5 sones at normal setting.
- 3-speed electronic controls with delay-off feature up to 60 minutes keeps hood running after cooking to ensure smoke and odors have cleared the environment.
- One-level halogen cooktop lighting. (Bulbs included.)
- Quick release, dishwasher-safe mesh grease filters ensure clean, fresh kitchen.
- Optional recirculation kit for non-ducted capability.



best[®]

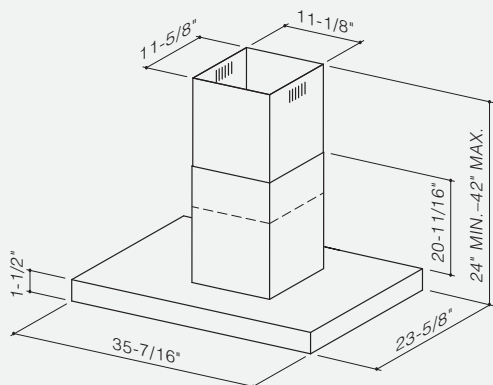
PERFORMANCE THAT INSPIRES

At **BEST**, we make high performance range hoods that perform beautifully. Astonishingly quiet. Impressively effective. Remarkably efficient. And perfectly suited for the most distinguished kitchens.

Whether it's the centerpiece of the room or letting its surroundings shine, **BEST** is where high-end performance inspires.

Installation height above the cooking surface: 24"-30"

Telescopic flue for 8'-9' ceiling is standard.



HOOD SIZES*

Internal Blower, Single - Depth: 23-5/8"

36" IBF4I36SB

* For exact dimensions, please refer to the technical drawing of each model.

FEATURES

Finish	Brushed Stainless Steel (Grade 430)
Lighting Type	Halogen, Type JC, 12V, 20W Maximum
Number of Lamps	4
Lighting Levels	1
Lighting Lamps Included	Yes
Control Type	3-Speed, Electronic Push-button with Lighted LCD Screen
Control Features	Delay Off
Remote Control	Not Available
Filter Type	Aluminum Mesh
Filter: Options	Not Available
Non-ducted Capability	Yes

HOOD BLOWER INCLUDED IBF4I

Internal	
Max Blower CFM*	400

ACCESSORIES

Non-Duct Filter Kit	ANKIBF4
10' Flue extension (Ducted)	09086

INSTALLATION REQUIREMENTS

Amps @ 120V	3.3 Maximum
Electrical Connection	Hard Wired
Duct Size: Internal Blower	6"
Duct Direction	Vertical
Backdraft Damper	Included

*MAX Blower CFM indicates the performance of the hood blower in open air.

HVI PERFORMANCE

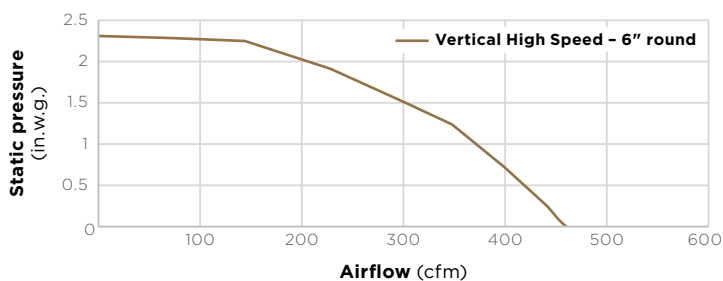
INTERNAL BLOWER - IBF4I

SONES	
Normal Speed 2.5	High Speed* 8.5

CFM		
Normal Speed 190	High Speed* 0.25 in. w.g. 439	High Speed* 0.1 in. w.g. 450

* Where noted performance rating is not HVI certified but was established in accordance with HVI Standardized test procedure.

AIRFLOW PERFORMANCE



HVI-2100 CERTIFIED RATINGS comply with new testing technologies and procedures prescribed by the Home Ventilating Institute, for off-the-shelf products, as they are available to consumers. Product performance is rated at .01 in. static pressure, based on tests conducted in AMCA's state-of-the-art test laboratory. Sones are a measure of humanly-perceived loudness, based on laboratory measurements.



BESTRANGHOODS.COM
USA 800-558-1711

BESTRANGHOODS.CA
CANADA 800-567-3855

99045016D 10/21

