



DROP DOWN DOOR CONVECTION SPEED OVEN

VIKING 5 SERIES – VMDD

FEATURES

- Large 1.6 cubic feet cooking interior gives you more flexibility and cooking options
 - Stainless steel interior with 2 level cooking racks, fits a standard 9 x 13 pan
 - Cavity Dimensions: 17 1/16"W. x 9 7/16"D. x 16 15/16"H.
 - 16" Diameter Turntable
- Accessory racks included
 - High Turntable Rack
 - Low Turntable Rack
 - Oven Racks (2)
- Built-in speed and convenience with a 1600W convection heater and 900W of microwave cooking power
- Combines microwave, convection, roast and grill technologies all-in-one oven
- Speed Cooking Options combine microwave assist for speed cooking
 - Speed Bake - This cook function provides superior results for baked goods that require more than 20 minutes baking time. The Speed Bake cooking function cycles the oven's power between 90% convection oven and 10% microwave power to create golden brown exteriors and perfectly moist interiors for foods such as cakes, quick breads and muffins.
 - Speed Roast - This is ideal for larger, dense cuts of meat and whole poultry. The Speed Roast cooking function cycles the oven's power between 70% convection oven and 30% microwave power. This allows for reduced cooking time as the microwaves directly and rapidly heat the food internally while convection function circulates dry, heated air throughout the oven cavity to provide even cooking with browning for crispy exteriors while the inside retains its juicy texture.
- Convenient automatic sensor programs takes the guess work out for great results every time
 - Sensor Programs: 10 Cook, Reheat, Popcorn and 9 More Menus
 - The Sensor is a semi-conductor device that detects the vapor (moisture and humidity) emitted from the food as it heats. The sensor adjusts the cooking times and power level for various foods and quantities.



VMDD5306SS

- Melt/Soften/Warm Option automatically computes the correct heating time and microwave power melting chocolate, softening butter, or warming syrup
- Convection Programs: Bake, Roast, Grill and 15 More Menus
 - During convection heating, hot air is circulated throughout the oven cavity to brown and crisp foods quickly and evenly. This oven can be programmed for ten different convection cooking temperatures
 - Multiple Sequence Cooking allows the oven to be programmed for up to 4 automatic cooking sequences for the microwave mode and 2 automatic cooking sequences with preheat for SPEED BAKE/SPEED ROAST mode, switching from one power level setting to another automatically.
- Auto Defrost for quick and accurate thawing
- +30 Sec easily Adds time while cooking
- The Safety Lock prevents unwanted oven operation such as by small children. The oven can be set so that the control panel is deactivated or locked.
- Help is just a touch away as many of the settings have cooking hints.

MODELS

- VMDD5306SS - 30"W. Convection Speed Oven

COLOR FINISHES

- Available in Stainless Steel (SS)

WARRANTY

- 2-year full – complete product
- 90-day full – cosmetic parts such as glass, painted items and decorative items
- 5-year limited – magnetron tube

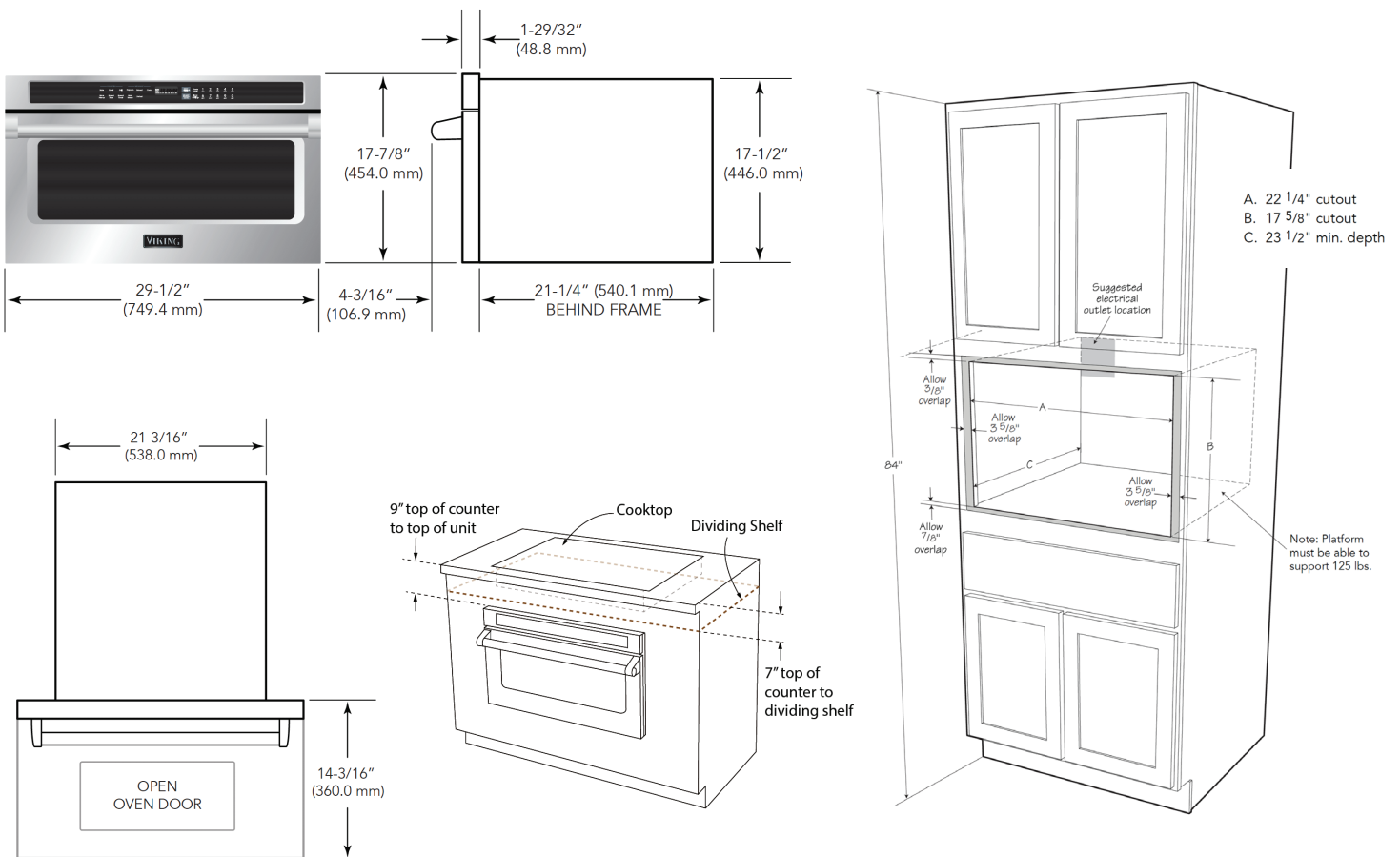


DROP DOWN DOOR CONVECTION SPEED OVEN

VIKING 5 SERIES – VMDD

DROP DOWN DOOR CONVECTION SPEED OVEN	
DESCRIPTION	VMDD5306SS
Outside Dimensions (WxHxD)	29 1/2" x 17 7/8" x 25 13/16" (749.3 x 454.02 x 655.6 mm)
Cavity Dimensions (WxHxD)	17 1/16" x 9 7/16" x 16 15/16" (433.4 x 239.7 x 430.2 mm)
AC Line Voltage	UL Rating-Single phase 240V, 60 Hz, AC only CSA Rating-Single phase 220V, 60 Hz, AC only
AC Power Required	UL /CSA Rating 11.5 A, 2550W
Frequency	2450 MHz
Oven Capacity	1.6 Cu. Ft.
Cooking Uniformity	Turntable system, diameter 16" (3406.4 mm)
Output Power	Microwave - 900 watts; Convection Heater - 1600 watts
Approximate Shipping Weight	106 lbs. (48.1 kg)

Please do not prepare installation from brochure data only. See installation instructions for important clearance/installation information.



VIKING RANGE, LLC 111 FRONT STREET GREENWOOD, MISSISSIPPI 38930 USA

For detailed product information, model numbers, or to request a quote call 1-888-845-4641 or visit vikingrange.com

© 2020 Viking Range, LLC All rights reserved. Specifications subject to change without notice.