



## UNDERCOUNTER REFRIGERATOR

Viking 5 Series – VRUI

### PROFESSIONAL FEATURES

- 5.5 cu. ft. capacity stores 20 wine bottles total (7 flat) and up to (162) 12-oz cans
- Slide-Out Convertible Shelf features removable split glass panes with wine rack option to store beverages, food or wine
- Tall item storage: half-width interior shelf allows for high-clearance vertical storage
- Access contents easily with full-extension shelf, glideout shelving on the smooth-glide ball bearing system
- Cantilevered shelving system adjusts height to meet storage needs
- Dynamic cooling technology delivers rapid cool down, frost-free operation and precise temperature stability
- Thermal-efficient cabinet ensures optimum food preservation and energy efficiency while maximizing capacity
- Argon-filled, UV-resistant tinted dual pane glass door protects contents from damaging ultraviolet light and helps conserve energy
- Multifunction controls allows selection of precise cabinet temperature from 33°F to 70° F
- At the touch of a button, change the interior light color to Alluvial Blue or Arctic White
- Theater-style display lighting gently brightens as door is opened and dims to off when closed
- Midnight Black interior



### MODEL NUMBERS

- VRUI5241GSS – 24"W. Undercounter Refrigerator (indoor unit) – Glass door

### DESIGN OPTIONS

- Reversible soft-close door allows for right or left swing for adaptable installation

### COLOR FINISHES

- Available in Stainless Steel (SS)

### WARRANTY

- 2-year full covers complete unit
- 6-year full – sealed refrigeration system
- 90-day full – cosmetic parts such as glass, painted items, and decorative items
- 12-year limited – sealed refrigeration system



# UNDERCOUNTER REFRIGERATOR

Viking 5 Series – VRUI

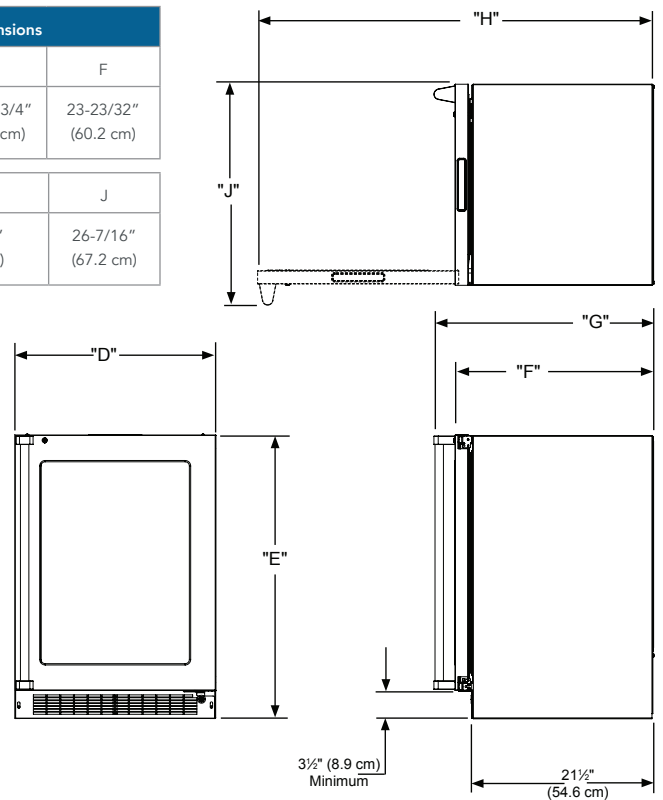
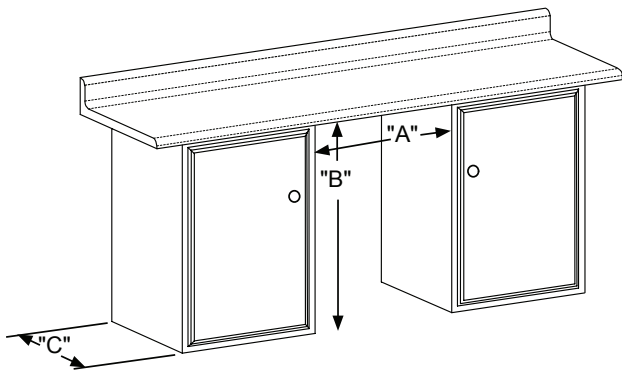
## 24" W. UNDERCOUNTER/FREESTANDING REFRIGERATOR

DESCRIPTION	VRUI5241
Overall Width	23-7/8" (60.6 cm)
Overall Height	33-3/4" min – 34-3/4" max (85.7 cm min – 88.3 cm max)
Overall Depth from Rear	To front of door – 23-23/32" (60.2 cm) To handle – 26-7/32" (66.6 cm) With door at 90° – 46-13/32" (117.9 cm)
Electrical Requirements	120V / 60Hz / 15A (5 ft. power cord attached to product)
Maximum Amp Usage	3.0 amps
Maximum Storage Capacity	5.5 cu. ft.
Interior finish	Black
Approximate Shipping Weight	160 lb. (72.6 kg)

Please do not prepare installation from brochure data only. See installation instructions for important clearance/installation information.

24" Rough-in Dimensions		
A	B	C
24" (61 cm)	34" to 35" (86.4 to 88.9 cm)	24" (61 cm)

Cabinet Dimensions		
D	E	F
23-7/8" (60.7 cm)	33-3/4" to 34-3/4" (85.7 to 88.3 cm)	23-23/32" (60.2 cm)
G	H	J
26-7/32" (66.6 cm)	46-13/32" (117.9 cm)	26-7/16" (67.2 cm)



VIKING RANGE, LLC 111 FRONT STREET GREENWOOD, MISSISSIPPI 38930 USA

For detailed product information, model numbers, or to request a quote call 1-888-845-4641 or visit [vikingrange.com](http://vikingrange.com)

© 2020 Viking Range, LLC All rights reserved. Specifications subject to change without notice.