

WV60A9900AV

SAMSUNG

Samsung 6.0 cu. ft. Total Capacity Smart Dial Washer with FlexWash™ and Super Speed Wash



Available Color



Brushed Black
WV60A9900AV

Washer	Model #	UPC Code
Brushed Black	WV60A9900AV	887276557885

Matching Electric Dryer

Brushed Black	DVE60A9900V	887276551616
---------------	-------------	--------------

Matching Gas Dryer

Brushed Black	DVG60A9900V	887276551623
---------------	-------------	--------------

Optional Accessories

Brushed Black Riser	WE272NV	887276197630
---------------------	---------	--------------

Electrical Requirements

120 V / 60 Hz
15 Amps

Warranty

One (1) Year Parts and Labor
Three (3) Years Stainless Steel Drum (Part Only)
Ten (10) Years DD Motor (Part Only)

Product Dimensions & Weight (WxHxD)

Dimensions: 27" x 46¹⁵/₁₆" x 34"
Weight: 303.6 lbs

Shipping Dimensions & Weight (WxHxD)

Dimensions: 29⁹/₁₆" x 51³/₈" x 36¹/₁₆"
Weight: 314.6 lbs

Lower Wash Features

- FlexWash™
- AI Powered Smart Dial
- Super Speed Wash
- Wi-Fi Connectivity¹
- CleanGuard™²
- Extra-Large 5.0 cu. ft. Capacity
- Steam
- PowerFoam™
- ENERGY STAR® Most Efficient
- Vibration Reduction Technology+
- Swirl+ Drum Interior
- Self Clean+
- Interior Drum Light
- Direct Drive Motor
- 1300 RPM Maximum Spin Speed
- Internal Water Heater
- 24 Total Washing Cycles
- 13 Options

Specifications

24 Total Washing Cycles:

Normal, Eco Cold, Heavy Duty, Permanent Press, Towels, Bedding, Activewear, Delicates, Wool, Rinse + Spin, Super Speed, Small Load, Steam Whites, Steam Sanitize, Steam Normal, Colors, Power Rinse, Power Steam, Steam Allergen, Steam Bulky, Outdoor, Denim, Self Clean+, Spin Only

13 Washing Options:

Super Speed, Delay End, My Cycles, Presoak, Extra Rinse, Child Lock, Drum Light, AI Pattern, Alarm, Calibration, Wi-Fi, Language, Factory Reset

5 Temperature Settings:

Extra Hot, Hot, Warm, Cold, Tap Cold

7 Spin Settings:

Extra High, High, Medium, Low, Extra Low, Drain & No Spin, Rinse Hold & No Spin

5 Soil Settings:

Extra Heavy, Heavy, Normal, Light, Extra Light

Convenience

- Child Lock
- Dispenser Trays: Main Wash, Softener, Bleach

Ratings



CEE Tier 2
IMEF = 2.92
IWF = 2.9
110 kWh/yr

Upper Wash Features

- AI Powered Smart Dial
- Vibration Reduction Technology
- Wi-Fi Connectivity¹
- Self Clean
- 800 RPM Maximum Spin Speed
- Stainless Steel Interior
- Direct Drive Motor
- 6 Total Washing Cycles
- 10 Options

Specifications

6 Total Washing Cycles:

Normal, Activewear, Delicates, Rinse + Spin, Spin Only, Self Clean

10 Washing Options:

Water Temp (Tap Cold, Cold, Warm), Extra Rinse, Child Lock, My Cycles, AI Pattern, Alarm, Calibration, Wi-Fi, Language, Factory Reset

3 Temperature Settings:

Warm, Cold, Tap Cold

4 Spin Settings:

Low, Extra Low, Drain & No Spin, Rinse Hold & No Spin

2 Soil Settings:

Light, Extra Light

Ratings

IMEF = 1.15
IWF = 12.0
60 kWh/yr

¹ Requires wireless network, Samsung account and Samsung SmartThings App. The Samsung Smart Things App supports Android OS 4.0 (ICS) or later which is optimized for Samsung smartphones (Galaxy S and Galaxy Note series). This app also supports iOS 7 or later for iPhone models. Samsung SmartThings App available in App Store and Play Store.

² Antimicrobial treatment does not protect users or other items against bacteria, viruses, germs, or other disease organisms.

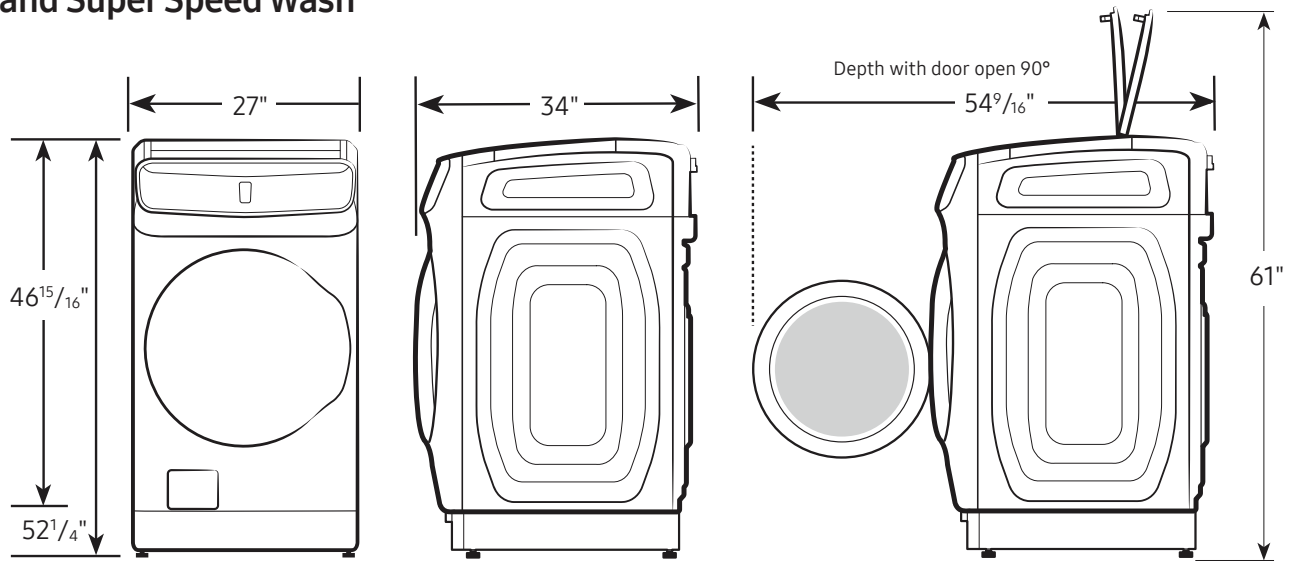
WV60A9900AV

SAMSUNG

Samsung 6.0 cu. ft. Total Capacity Smart Dial Washer with FlexWash™ and Super Speed Wash

Dimensions

Required dimensions for installation with riser:

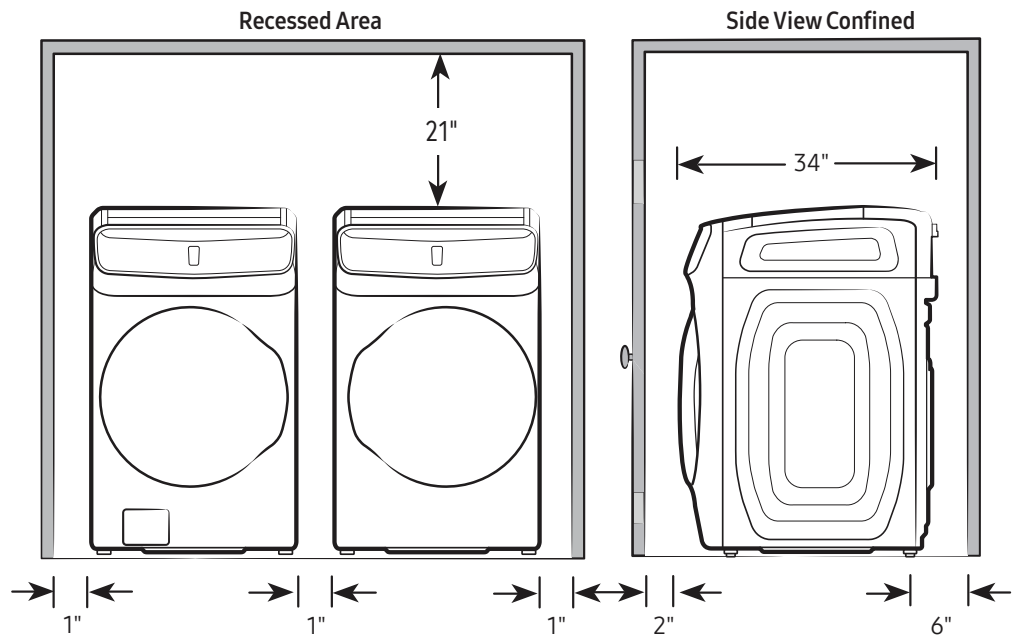


Installation Specifications – Side-by-Side

If the washer and dryer are installed together or the dryer alone, the closet front must have two unobstructed air openings for a combined minimum total area of 72-inch². Your washer alone does not require a specific air opening.

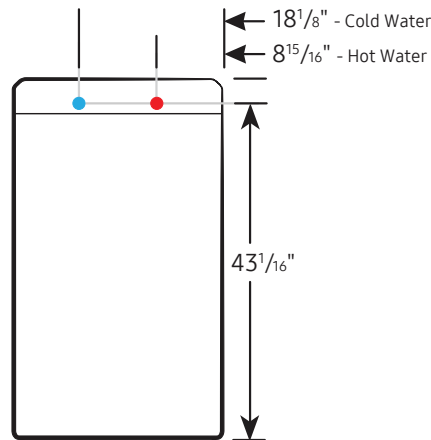
Alcove or closet installation

Minimum clearance for closet and alcove installations:



Connection Dimensions

Back view of washer



LEGEND:

- Cold Water Connection
- Hot Water Connection

Actual color may vary. Design, specifications, and color availability are subject to change without notice. Non-metric weights and measurements are approximate.

©2021 Samsung Electronics America, Inc., 85 Challenger Road, Ridgefield Park, NJ 07660. Tel: 800-SAMSUNG. samsung.com. Samsung is a registered trademark of Samsung Electronics Co., Ltd.