



**CBS 2082**

Freestanding/Semi Built-in



**LIEBHERR**

Quality, Design and Innovation

The **CBS 2082** offers elegant French door styling, with self-closing double freezer drawers, available in 36" for freestanding/semi built-in designs. The CBS 2082 includes unique features such as BioFresh technology, which helps foods retain their healthy vitamins, aromas, and appetizing appearance for significantly longer than in conventional refrigerators. Outstanding LED lighting can be found on interior refrigerator columns and inside both BioFresh compartments, as well as inside the double freezer drawers. The automatic IceMaker with fixed water connection produces perfect half-moon crescent ice cubes, keeping a constant supply on hand for every occasion.

Liebherr's DuoCooling system, with individual variable speed compressors, provides superior performance and efficiency, as well as advanced food preservation. The dual refrigeration system creates optimal conditions in both the refrigerator and freezer compartments, which lengthens the shelf life of foods for a healthier lifestyle. Individual silent cooling systems ensure accurate temperature and humidity controls so that your fresh foods never dry out.



## Freestanding/Semi Built-in

### CBS 2082 PremiumPlus



Energy consumption (kWh/y)
Estimated Yearly Energy Cost in US \$*
Sound rating dB(A)**
Refrigerator capacity cu.ft. (l)
BioFresh comp. cu.ft. (l)
Freezer capacity cu.ft. (l)
Number of shelves
Number of door racks
Number of freezer drawers
Number of BioFresh drawers
Electronic control
Refrigerator temperature range °F (°C)***
Freezer temperature range °F (°C)
Defrost type
Interior light
Water filter
IceMaker
Ice cube output lbs. (kg)/24h
Ice cube stock lbs. (kg)
Door hinges
Product dimensions (H/W/D) in. (cm)
Cut out dimensions (H/W/D) in. (cm)
Net weight lbs. (kg)
Voltage V/Hz

528
63
44
12.9 (365)
2.4 (69)
6.0 (170)
4
6
2 with LED lighting
2 with LED lighting
MagicEye with digital temp. display, touch electronic
+37°F to +45°F (+3°C to +7°C)
+7°F to -17°F (-14°C to -27°C)
automatic
LED light column and LED ceiling lighting
yes
fixed water connection
3.1 (1.4)
7.9 (3.6)
left/right
80 5/16" / 35 7/8" / 24 1/4" (203.9/91/61.5)
80 9/16" / 36 1/16" / 24 1/16" (204.5/91.5/61)
377.0 (171.0)
115/60

\* Estimated energy cost will depend on utility rates and use. Estimated energy cost based on a national average electricity cost of 12 cents per kWh.

\*\* Noise output – according to EN 60704-3.

\*\*\* BioFresh bins temperatures 32°F (0°C).



**German Engineering:** Our superior products offer premium quality, cutting edge design, and innovative features that best fit your lifestyle. The use of high quality materials, perfectly detailed finishes, and elite cooling components are combined with the latest production processes, resulting in an outstanding cooling product.



**Energy Star:** The entire line of North American Liebherr appliances meet or exceed ENERGY STAR® rating requirements, greatly reducing greenhouse emissions and energy costs.



Bio Fresh

**BioFresh:** BioFresh guarantees the perfect climate for super-long-term freshness. Each drawer can be used individually and provides ideal humidity – HydroSafes with high humidity or DrySafes with low humidity – for a versatile storage solution of meats and cheeses as well as fruits and vegetables.



Duo Cooling

**DuoCooling:** The dual refrigeration system creates optimal conditions in both the refrigerator and freezer which lengthens the shelf life of food items for a healthier lifestyle. This technology also preserves the flavor and texture of foods since there is no transfer of unwanted air, moisture or food aroma between the two compartments.



**SuperCool/SuperFrost:** Simply quick chill and/or freeze fresh groceries to preserve optimum freshness and seal in flavors, textures as well as maintain essential vitamins and minerals.



Super Quiet

**SuperQuiet:** Noise levels are kept to a minimum thanks to virtually silent, speed-controlled, and sound absorbing compressors. Alongside a low noise cooling circuit, these features ensure exact performance, energy efficiency, and SuperQuiet operation.



Electronic Control

**Electronic Display:** Our intuitive electronic touch control panel ensures all functions are easy and convenient to use as well as guarantees that the settings selected remain accurate and constant.



Glass Line

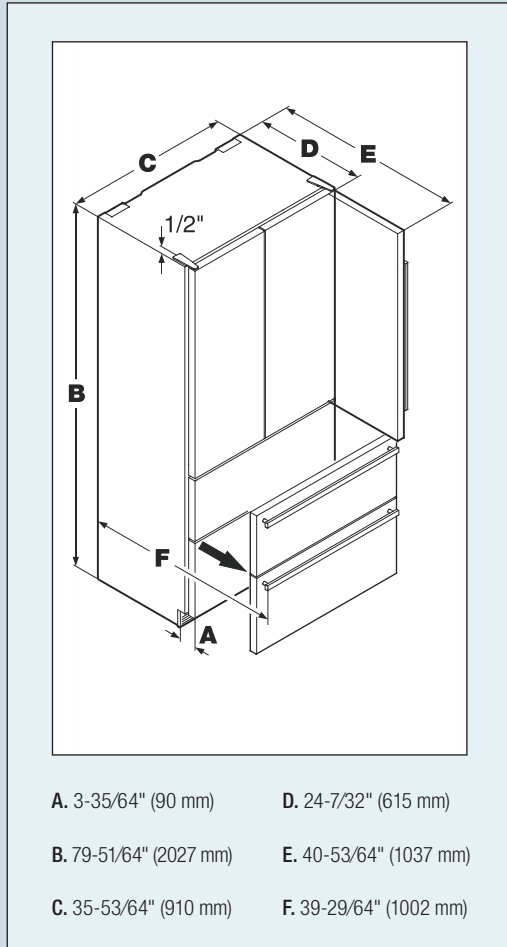
**GlassLine:** The elegant yet tough GlassLine shelves are scratch resistant and easy to clean as well as dishwasher safe. The space-saving shelves are designed for organization and are completely adjustable to suit your needs and the contents of the refrigerator. Additionally, the lighting shines through for a brighter interior.



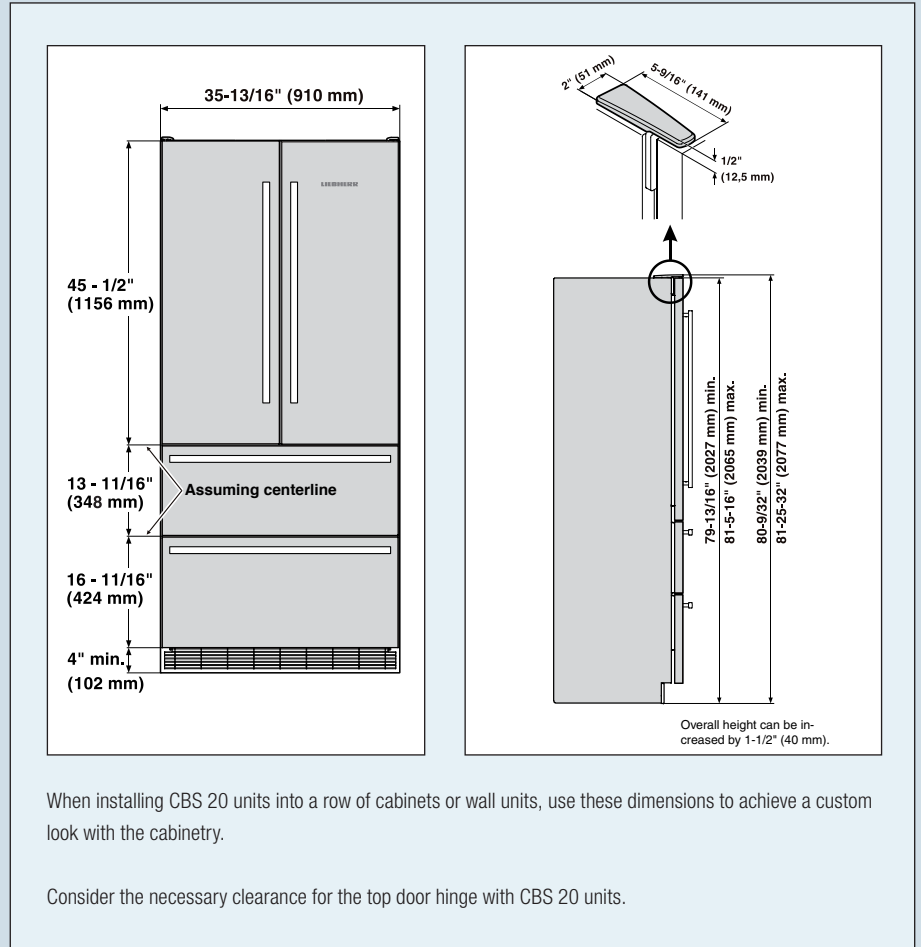
LED

**LED:** Distinctive LED light columns are integrated into both sides of the compartment liner. Inside the columns are numerous cool LED lights that ensure uniform lighting throughout the interior.

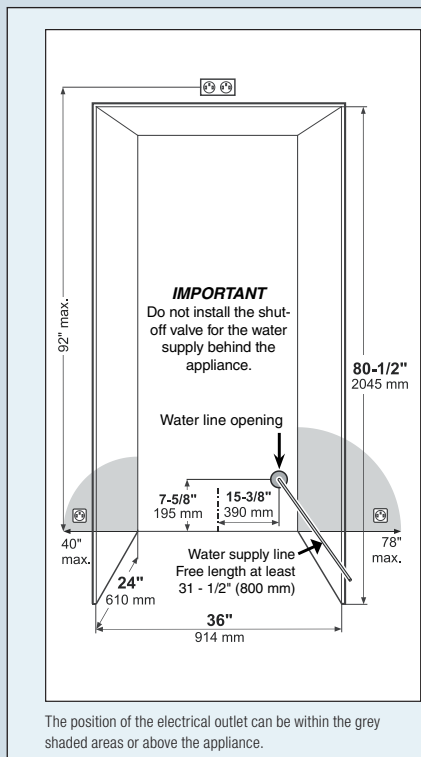
Unit Dimensions



Top Door Hinge Clearance



Cabinet Opening Dimensions



The appliance can be used freestanding or semi built-in. If semi built-in, consider the cabinet opening dimensions specified below.

Minimum opening height for the **french door** 36" model (CBS 2062) is **80-1/2"** to accommodate the top mounted hinges.

The requirements for water supply and electrical outlet are the same for both applications.

**IMPORTANT**  
 With 24" depth cabinets, the water line opening must be in the location as shown as there will not be room to route a water line behind the appliance for risk of pinching. Also, for this cabinet depth the electrical outlet cannot be behind the unit or the unit will not be able to be pushed all the way back into the opening. With cabinets deeper than 24" there is room to fit the pipe behind the appliance and the wall so there are no requirements for the water line lead out position.

Ventilation Requirements

