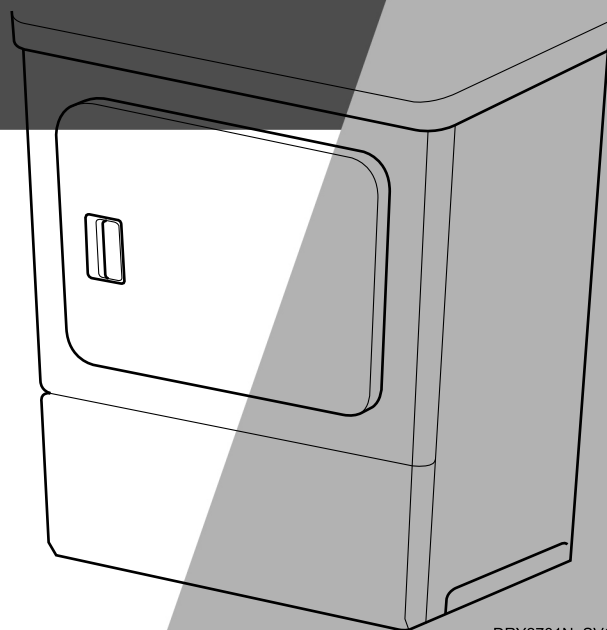


User's Guide

for Dryers



DRY2781N_SVG

Original Instructions

Keep These Instructions for Future Reference.

CAUTION: Read the instructions before using the machine.

(If this machine changes ownership, this manual must accompany machine.)



WARNING



WARNING

FOR YOUR SAFETY, the information in this manual must be followed to minimize the risk of fire or explosion or to prevent property damage, personal injury or death.

W033



WARNING

- Do not store or use gasoline or other flammable vapors and liquids in the vicinity of this or any other appliance.
- **WHAT TO DO IF YOU SMELL GAS:**
 - Do not try to light any appliance.
 - Do not touch any electrical switch; do not use any phone in your building.
 - Clear the room, building or area of all occupants.
 - Immediately call your gas supplier from a neighbor's phone. Follow the gas supplier's instructions.
 - If you cannot reach your gas supplier, call the fire department.
- Installation and service must be performed by a qualified installer, service agency or the gas supplier.

W052

Product Registration

New owners of Alliance Laundry Systems equipment are encouraged to register their appliance to insure proper limited warranty coverage. Register online at <http://www.speed-queen.com/home/en-us/support/product-registration.aspx> or contact your dealer to register your appliance. All information will be kept confidential and will not be distributed to other parties.

Table of Contents

Product Registration.....	4
Safety Information.....	6
Explanation of Safety Messages.....	6
Important Safety Instructions.....	6
Before Drying.....	8
Energy Saving Tips.....	8
Helps and Hints.....	8
Sort.....	8
Load.....	8
Operating Your Dryer.....	10
Available Drying Cycles.....	10
Automatic Regular/Delicate Cycle.....	10
Timed Dry Cycle.....	10
Automatic Wrinkle Out Cycle.....	10
Automatic Perm Press/Knits Cycle.....	10
To Dry Clothes.....	10
End Of Cycle Signal.....	11
Optional Drying Rack.....	11
Maintenance.....	13
Lubrication.....	13
Care of Your Dryer.....	13
Exhaust System.....	13
Lint Filter.....	13
Troubleshooting.....	15
Warranty Repairs.....	16
Contact Information.....	16




© Copyright 2017, Alliance Laundry Systems LLC

All rights reserved. No part of the contents of this book may be reproduced or transmitted in any form or by any means without the expressed written consent of the publisher.

Safety Information

Explanation of Safety Messages

Precautionary statements (“DANGER,” “WARNING,” and “CAUTION”), followed by specific instructions, are found in this manual and on machine decals. These precautions are intended for the personal safety of the operator, user, servicer, and those maintaining the machine.

	DANGER
Indicates an imminently hazardous situation that, if not avoided, will cause severe personal injury or death.	
	WARNING
Indicates a hazardous situation that, if not avoided, could cause severe personal injury or death.	
	CAUTION
Indicates a hazardous situation that, if not avoided, may cause minor or moderate personal injury or property damage.	


Additional precautionary statements (“IMPORTANT” and “NOTE”) are followed by specific instructions.

IMPORTANT: The word “IMPORTANT” is used to inform the reader of specific procedures where minor machine damage will occur if the procedure is not followed.

NOTE: The word “NOTE” is used to communicate installation, operation, maintenance or servicing information that is important but not hazard related.

Important Safety Instructions

Save These Instructions

	WARNING
<p>To reduce the risk of fire, electric shock, serious injury or death to persons when using your dryer, follow these basic precautions:</p>	
W130	

- Read all instructions before using the dryer.
- Refer to the GROUNDING INSTRUCTIONS in the INSTALLATION manual for the proper grounding of the dryer.
- Do not dry articles that have been previously cleaned in, soaked in, washed in, or spotted with gasoline, dry-cleaning solvents, other flammable or explosive substances as they give off vapors that could ignite or explode. Highly flammable substances commonly used in domestic environments including acetone, denatured alcohol, petrol/gasoline, kerosene, spot removers (some brands), turpentine, waxes and wax removers. This appliance shall not be used to dry off solvents or dry-cleaning fluids.
- Do not allow children to play on or in the unit. This appliance is not intended for use by young children or infirm persons without supervision. Young children should be supervised to ensure that they do not play with the appliance.
- Before the dryer is removed from service or discarded, remove the door to the drying compartment.
- Do not reach into the dryer if the cylinder is revolving.
- Do not install or store the dryer where it will be exposed to water and/or weather.
- Do not tamper with the controls.
- Do not repair or replace any part of the dryer, or attempt any servicing unless specifically recommended in the user-maintenance instructions or in published user-repair instructions that you understand and have the skills to carry out.
- Do not use fabric softeners or products to eliminate static unless recommended by the manufacturer of the fabric softener product.
- To reduce the risk of fire, DO NOT DRY plastics or articles containing foam rubber (also known as latex foam) or similarly textured rubberlike materials. Foam rubber materials can, when heated, produce fire by spontaneous combustion.
- Always clean the filter after every load. A layer of lint in the filter reduces drying efficiency and prolongs drying time.
- Keep area around the exhaust opening and adjacent surrounding area free from the accumulation of lint, dust and dirt.

- The interior of the dryer and the exhaust duct should be cleaned periodically by qualified service personnel.
- This gas appliance contains or produces a chemical or chemicals which can cause death or serious illness and which are known to the State of California to cause cancer, birth defects, or other reproductive harm. To reduce the risk from substances in the fuel or from fuel combustion, make sure this appliance is installed, operated, and maintained according to the manufacturer's instructions.
- Dryer will not operate with the loading door open. DO NOT bypass the door safety switch by permitting the dryer to operate with the door open. The dryer will stop tumbling when the door is opened. Do not use the dryer if it does not stop tumbling when the door is opened. Do not use the dryer if it does not stop tumbling when the door is opened or starts tumbling without pressing or turning the START mechanism. Remove the dryer from use and call the service person.
- Do not put articles soiled with vegetable or cooking oil in the dryer, as these oils may not be removed during washing. Due to the remaining oil, the fabric may catch on fire by itself.
- To reduce the risk of fire, DO NOT put clothes which have traces of any flammable substances such as machine oil, flammable chemicals, thinner, etc. or anything containing wax or chemicals such as in mops and cleaning cloths, or anything dry-cleaned at home with dry-cleaning solvent in the dryer.
- Use the dryer only for its intended purpose, drying clothes.
- Always disconnect the electrical power to the dryer before attempting service. Disconnect the power cord by grasping the plug, not the cord.
- If supply cord is damaged, it must be replaced by a special cord or assembly available from the manufacturer or its service agent.
- Install this dryer according to the INSTALLATION INSTRUCTIONS. All connections for electrical power, earthing and gas supply must comply with local codes and be made by licensed personnel when required. Do not do it yourself unless you know how!
- Remove laundry immediately after the dryer stops.
- Always read and follow manufacturer's instructions on packages of laundry and cleaning aids. Heed all warnings or precautions. To reduce the risk of poisoning or chemical burns, keep them out of reach of children at all times (preferably in a locked cabinet).
- Do not tumble fiberglass curtains and draperies unless the label says it can be done. If they are dried, wipe out the cylinder with a damp cloth to remove particles of fiberglass.
- ALWAYS follow the fabric care instructions supplied by the garment manufacturer.
- Never operate the dryer with any guards and/or panels removed.
- DO NOT operate the dryer with missing or broken parts.
- DO NOT bypass any safety devices.
- Failure to install, maintain, and/or operate this machine according to the manufacturer's instructions may result in conditions which can produce bodily injury and/or property damage.

NOTE: The WARNING and IMPORTANT SAFETY INSTRUCTIONS appearing in this manual are not meant to cover all possible conditions and situations that may occur. Common sense, caution and care must be exercised when installing, maintaining, or operating the washer.


Always contact your dealer, distributor, service agent or the manufacturer about any problems or conditions you do not understand.

Before Drying

Energy Saving Tips

- Make sure the lint filter is always clean.
- Do not overload the dryer.
- Do not overdry items.
- Remove items to be ironed while still damp.
- Large loads of similar fabrics dry the most efficiently. However, dry permanent press in smaller loads to prevent wrinkling.
- Use the correct cycle for the type of fabric being dried.
- Locate your dryer so the exhaust duct is as short and straight as possible.
- Do not open the door during the drying cycle.
- Plan to do your laundry on low humidity days; your clothes will dry faster.
- Dry multiple loads of clothes one right after another so dryer interior does not have to be reheated for each load.

Helps and Hints

	WARNING
<p>To reduce the risk of fire, explosion, serious injury or death, clothes which have traces of any flammable substances such as cooking oil, machine oil, flammable chemicals, thinner, etc. must not be put into the dryer.</p>	
W131	

- The directions for installation and proper exhausting are given in the Installation Instructions which are included with the dryer.
- Static electricity may cause garments of synthetic fibers (as in lingerie) to cling together, especially if they are overdried. The use of a liquid fabric softener in the rinse water of the washer, or a fabric softener sheet in the dryer, will soften clothes and reduce static electricity.
- Do not wash or dry clothes that shed lint in the same load with permanent press or knit garments.
- Remove permanent press loads immediately after dryer stops.
- Follow the care labels on FLAME RETARDANT, SCOTCH-GUARD™, etc., garments for proper washing and drying.
- If loads should be damp for ironing, use the Damp Dryness setting, in an Automatic cycle.


Sort

If you have correctly sorted the items for washing, they should be properly sorted for drying too.

1. Sort by color.
2. Separate lint shedding fabrics and lint receiving fabrics. Towels, flannels, chenille, cottons, rugs, etc., shed lint. Corduroys, knits (including socks), permanent press, and synthetics attract lint.
3. Separate no heat, low heat and high heat items.

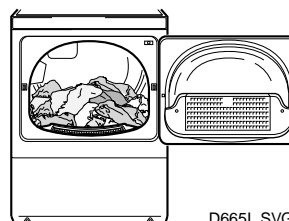
In any kind of drying, lightweight fabrics will dry faster than heavyweight fabrics. If mixed loads are dried together (such as sheets and towels), remove the lighter weight fabrics when they are dry to prevent overdrying and wrinkling. The best method is to dry clothes which require the same time, temperature or dryness level in the same load.

Load

	WARNING
<p>Do not wash or dry items soiled with vegetable or cooking oils. Some oils may remain after washing and may cause the fabric to catch on fire by itself.</p>	
W527	

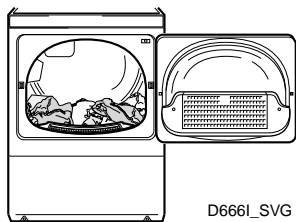
- Do not overload your dryer. Bulk, not weight, determines the load size. If the dryer is overloaded, it could cause discoloration or permanent heat damage to the load.
- There should be space in the dryer for the clothes to tumble freely and help to reduce wrinkles.
- Large and small pieces together make up loads which will tumble well. Permanent press loads should be smaller to provide room for tumbling. Proper tumbling allows for fewer wrinkles.
- A load can be too small. Just a few small pieces will not tumble properly. They will take longer to dry and they may be wrinkled. For small loads, add a couple of large towels or non lint shedding items to aid in tumbling.
- The following illustrations show the ideal load sizes for fabrics. The average load will fill the cylinder one third to half full when wet.

Cylinder with wet linens and cottons

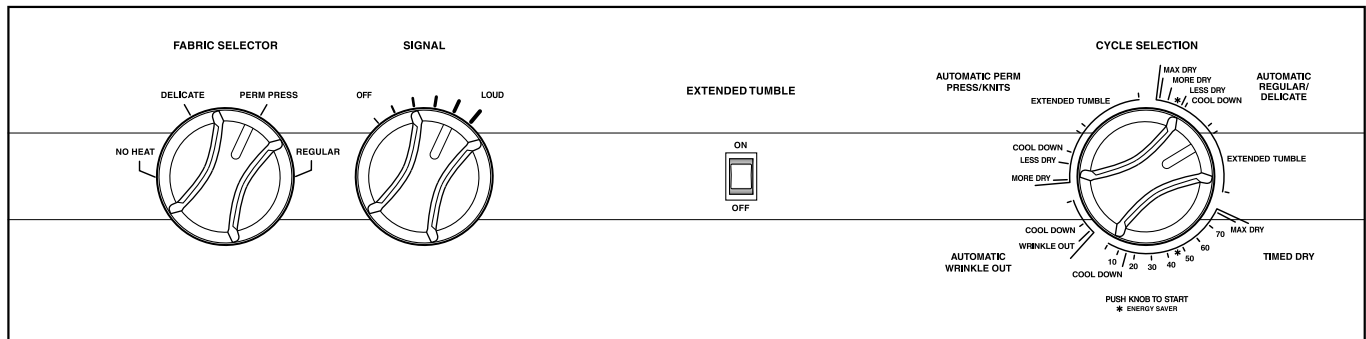


D665I_SVG

Cylinder with wet permanent press items



Operating Your Dryer



DRY2769N_SVG



WARNING

To reduce the risk of fire, electric shock, serious injury or death to persons, read the Safety Information section before operating the dryer.

W520

ly. By pressing the EXTENDED TUMBLE button to ON, the AUTOMATIC REGULAR/DELICATE and AUTOMATIC PERM PRESS/KNITS cycles will tumble an additional 40 minutes.

NOTE: The timer knob will not advance as quickly in the AUTOMATIC cycles as it does in the TIMED DRY cycle. The time it takes for the timer to advance depends on the type and size of the load being dried.

The ENERGY SAVER settings, marked with a dot, show which settings will use the least energy and will leave items damp for easier ironing.

Automatic Regular/Delicate Cycle

Use for sturdy items like play or work clothes and also for delicate items. The type of heat is determined by choosing the proper Fabric Selector option. There are three settings in the AUTOMATIC REGULAR/DELICATE cycle - MAX DRY, MORE DRY, and LESS DRY.

Timed Dry Cycle

This cycle will operate dryer for up to 75 minutes. Cottons and heavyweight items dry best between 50 and 75 minutes, and lightweight items dry best between 20 and 40 minutes.

Automatic Wrinkle Out Cycle

Use this for items that are slightly wrinkled after sitting in a dryer or laundry basket overnight. The cycle has a short heat setting followed by a five minute COOL DOWN.

Automatic Perm Press/Knits Cycle

Use for permanent press items and synthetics. The type of heat is determined by selecting the proper Fabric Selector option. There are three settings in the AUTOMATIC PERM PRESS/KNITS cycle: MORE DRY, LESS DRY and COOL DOWN.

Available Drying Cycles

NOTE: Use the automatic cycles for drying items that can be dried with heat. These cycles automatically dry loads to the dryness level selected.

MAX DRY and MORE DRY will dry very small loads and some heavy items, such as blue jeans, but will overdry lightweight items, such as sheets and shirts. Overdrying can cause wrinkling, shrinking, excessive lint conditions, and will use more energy than necessary.

LESS DRY, which uses the least energy, will dry large loads and lightweight items, such as sheets and shirts, but might leave other items, such as denim and heavy bath towels, more damp.

To increase energy savings and to make sure loads are dried without overdrying, set your loads on LESS DRY. If items are damp at the end of a cycle, the timer knob needs to be set closer to the MORE DRY setting the next time these loads are dried. If items are overdry at the end of a cycle, the timer knob should be set closer to COOL DOWN when these loads are dried again. Remember the settings that work best to get ideal drying results.

The COOL DOWN period at the end of each cycle provides items a chance to tumble with no heat and cool down to room temperature. This prevents wrinkles from setting if items cannot be cared for immediately.

The EXTENDED TUMBLE setting continues to tumble items at no heat after the cycle has completed. This prevents wrinkling when garments cannot be removed from the dryer immediately.

To Dry Clothes

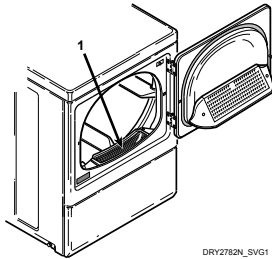
IMPORTANT: Refer to the **INSTALLATION INSTRUCTIONS** before using dryer.

IMPORTANT: Before using dryer for the first time, use an all-purpose cleaner or a detergent and water solution and a damp cloth to remove shipping dust from inside of dryer drum.

- Sort items into separate loads.

NOTE: Remove all sharp objects from laundry to avoid tears and rips to items during normal machine operation.

- Clean lint filter.



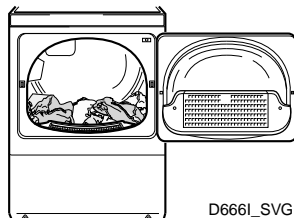
- Lint Filter

Figure 1

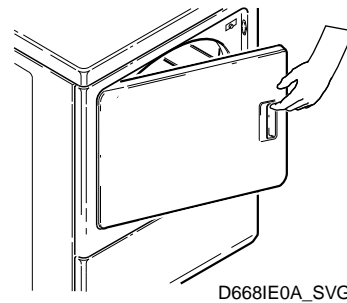
	WARNING
To reduce the risk of fire and risk of lint collecting in exhaust duct, do not operate dryer without lint filter in place.	
W771	

- Load dryer half full with laundry (18 pounds [8.2 kg]) maximum dry clothes load). Add fabric softener sheet, if desired.

NOTE: To avoid damage to dryer, do not use more than one fabric softener sheet per load.



- Close loading door. Dryer will not operate with the door open.



- Select Fabric Selector. Follow garment manufacturer's care labels for recommended temperature settings.
- Select optional EXTENDED TUMBLE setting to continue tumbling items at no heat.
- Select timer setting in cycle desired. These cycles control the drying time.

The ENERGY SAVER settings, marked with an asterisk (*), show which dryer settings will use the least energy and will leave items damp for easier ironing.

- Push timer knob in to start dryer.

NOTE: To stop dryer at any time, open the door or turn timer knob to an off position. To restart dryer, close door, reset timer if necessary, and push in the timer knob.

End Of Cycle Signal

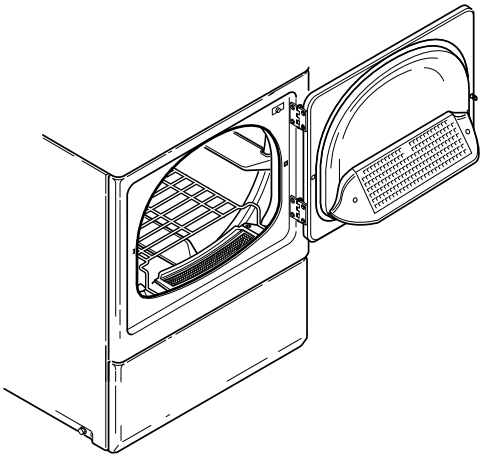
The volume of the signal tone may be set on OFF, LOUD or between the two selections. If a volume level is selected, the signal will let you know when the cycle is done. The signal will stop when the door is opened, or when the timer is advanced to an OFF position.

NOTE: The signal will come on every 10 minutes when the optional EXTENDED TUMBLE setting is selected.

Optional Drying Rack

A drying rack, Part No. D512082, is available at extra cost through your Factory Authorized Service Center.

The drying rack can be used in manual cycles only for no-tumble drying of articles such as tennis shoes, sweaters, stuffed toys or other delicate items.




DRY2332N_SVG


Maintenance

Lubrication

All moving parts are sealed in a permanent supply of lubricant or are equipped with oilless bearings. Additional lubrication will not be necessary.

Care of Your Dryer

	WARNING
<p>To reduce the risk of an electric shock, serious injury or death, disconnect the electrical service to the dryer before cleaning the interior.</p>	
W132	

	WARNING
<p>Any disassembly requiring the use of tools must be performed by a suitably qualified service person.</p>	
W299	

The exhaust duct should be inspected after one year of use and cleaned if necessary by a qualified service person to remove any lint build-up. Inspect and clean exhaust duct every one to two years as required thereafter.

Every two years a qualified service person should remove all front panels and vacuum the inside of the dryer

NOTE: This recommended maintenance is not covered under the terms of the warranty.

The weather hood should be checked frequently to make sure the dampers move freely, dampers are not pushed in and that nothing has been set against them.

Keep dryer area clear and free from combustible materials, gasoline and other flammable vapors and liquids.

Do not obstruct the flow of combustion and ventilation air.

NOTE: Verify proper operation after servicing.

Lint Filter

The lint filter is located at the front of the dryer in the lower part of the door opening.

CLEAN THE LINT FILTER BEFORE DRYING EACH LOAD.

Annually remove lint filter and screw to vacuum the duct under it.

Dryer Interior

Wipe the surfaces using a soft cloth and household cleaner or a non-abrasive paste of powdered laundry detergent and hot water, followed by a short heat cycle with a load of rags.

To remove crayon or ball point ink off the dryer drum, put the heat on high and use old rags in the dryer to absorb the crayon or ink. If unsuccessful, contact the appliance dealer. DO NOT use any chemicals in the dryer.

IMPORTANT: The use of chlorine bleach for removing any discolorations should be avoided because bleach could damage the finish.


Cabinet

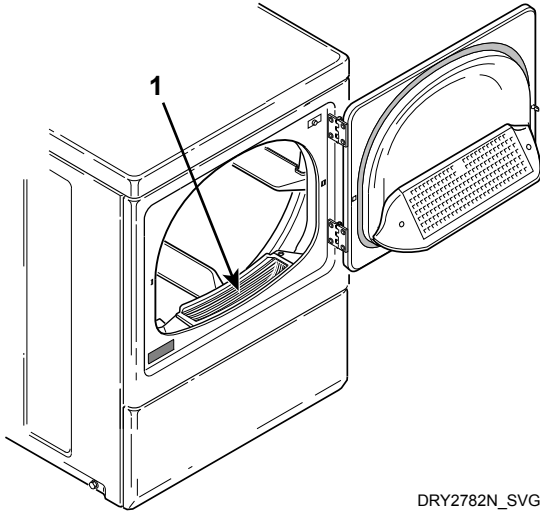
Wipe the dryer cabinet as needed. If detergent, bleach or other washing products have been spilled on the dryer, wipe immediately. Some products will cause permanent damage if spilled on the cabinet.

Control Panel

Use only a damp or sudsy cloth for cleaning the control panel. Some spray pretreat products may harm the finish on the control panel. DO NOT use products that contain alcohol on the control panel.

Exhaust System

	WARNING
<p>To reduce the risk of electric shock, disconnect the electrical service to the dryer before cleaning.</p>	
W043	



DRY2782N_SVG

1. Lint Filter

Figure 2

Troubleshooting

Try these troubleshooting tips before making a service call. They may save you time and money.

Dryer Symptom	Possible Cause/Solution
Dryer won't start	<ul style="list-style-type: none"> • Make sure the power cord is plugged all the way into the electrical outlet. • Make sure loading door is closed. • Push timer knob in to start dryer. • Make sure the laundry room fuse(s) isn't blown or loose, or circuit breakers aren't open. • The dryer itself does not have an electrical fuse. An electric dryer has an electrical circuit with two fuses. • Check if motor overload protector has cycled. Wait 10 minutes and try again.
Dryer won't heat	<ul style="list-style-type: none"> • Electric dryers only – Some homes may have two fuses or circuit breakers for an electric dryer; both fuses or circuit breakers should be checked. Make sure the laundry room fuse(s) isn't blown or loose, or that the circuit breakers aren't open. • Gas dryer only – Make sure equipment and main gas line valve is turned on. • Check exhaust duct to outside to see if it is kinked, blocked or needs cleaning. • Check weather hood to make sure flapper moves freely, has not been pushed in or has not been blocked.
Dryer doesn't dry clothes satisfactorily	<ul style="list-style-type: none"> • Check exhaust duct to outside to see if it is kinked, blocked or needs cleaning. • Check weather hood to make sure flapper moves freely, has not been pushed in or has not been blocked. • Auto-Sensing cycle – Adjust Dryness selection. • Manual cycle - Allow more or less time. • Clean the lint filter. • Make sure the load isn't too small. Small loads may not tumble properly or dry evenly. • Check load being dried. Heavy items dried with lightweight items will not dry as quickly as the rest of the load. • Refer to Sort section for proper sorting information.
Dryer is noisy	<ul style="list-style-type: none"> • Check dryer for foreign objects (nails, coins, bobby pins, metal, plastic toys, etc.). Remove items from dryer. • Make sure dryer is level. Uneven leveling can cause vibration.
Clothes are too wrinkled	<ul style="list-style-type: none"> • Check heat setting. Overdrying can cause wrinkling. • Check load size. Large loads may not tumble properly and may cause wrinkling.

Table continues...

Dryer Symptom	Possible Cause/Solution
Clothes have odor	<ul style="list-style-type: none"> • Check room for odors before drying clothes. Any odor (fried foods, paint, varnish, cleaners, burning wood, etc.) will transfer to clothing as the dryer draws air from the room. • Ventilate room before drying clothes.
Cycle advances too slowly	<ul style="list-style-type: none"> • When in an Auto-Sensing cycle, the time it takes depends on the type and size of the load being dried. When clothing has more moisture, the cycle takes longer than when the clothes are more dry.

Warranty Repairs

If something should occur with your washer or dryer that requires service please use the service locator at www.speed-queen.com.

We would like to point out items that would not be considered a product failure and are not covered under warranty. If a service technician is called for the items listed below you will be responsible for payment of the service call.

- Plugged or restricted venting
- Kinked venting
- Cleaning lint from within the dryer
- Home electrical issues
- Home gas issues
- Foreign objects found inside the dryer

Contact Information

If service is required, contact the nearest Factory Authorized Service Center. To find the nearest service center, visit us online at www.speedqueen.com.

If you are unable to locate an authorized service center or are unsatisfied with the service performed on your unit, contact:

Speed Queen


Shepard Street

P.O. Box 990

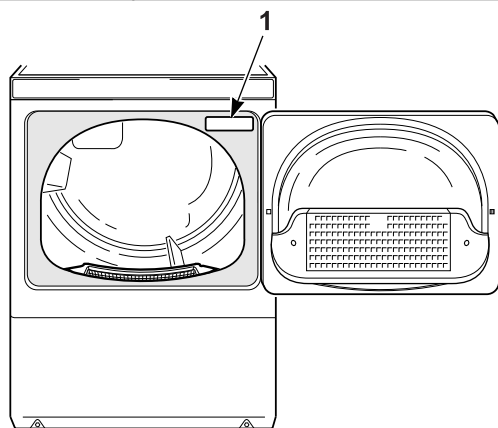
Ripon, Wisconsin 54971-0990

www.speedqueen.com - select "Find Service" and enter your zip code to find a local service company

Phone: (920)748-3121

	<h2>WARNING</h2>
<p>To reduce the risk of serious injury or death, DO NOT repair or replace any part of the unit or attempt any servicing unless specifically recommended in the user-maintenance instructions or in published user-repair instructions that you understand and have the skills to carry out.</p>	
W329	

Date Purchased	
Model Number	
Serial Number	



DRY2783N_SVG

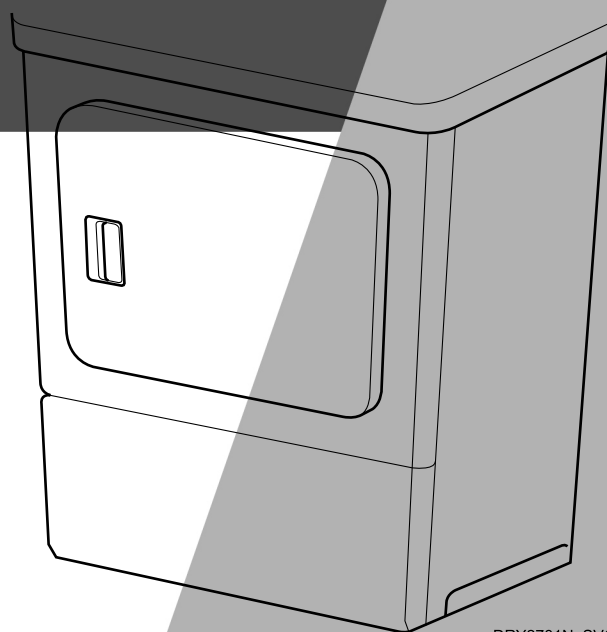
1. Serial Plate

When contacting us about your washer, PLEASE GIVE THE MODEL AND SERIAL NUMBERS. The model and serial numbers are located on the serial plate. The serial plate will be in the location shown. Please include a copy of your bill of sale and any service receipts you have.

If replacement parts are required, contact the source from where you purchased your washer or visit us online at www.speedqueen.com.

Guide de l'utilisateur

Pour sècheuses



DRY2781N_SVG

Traduction des instructions originales
Conserver ces instructions à titre de référence.
ATTENTION : Veuillez lire les instructions avant d'utiliser la machine.
(Si la machine est vendue, le guide doit être remis au nouveau propriétaire.)



MISE EN GARDE



MISE EN GARDE

POUR DES RAISONS DE SÉCURITÉ, il faut suivre les instructions données dans ce manuel pour minimiser les risques d'incendie ou d'explosion et pour réduire les risques de dommages à la propriété, de blessures ou de décès.

W033



MISE EN GARDE

- **Ne pas entreposer ni utiliser d'essence ou autres gaz et liquides inflammables au voisinage de cette machine ou de tout autre appareil électroménager.**
- **QUE FAIRE EN PRÉSENCE D'UNE ODEUR DE GAZ :**
 - **Ne pas tenter d'allumer un quelconque appareil.**
 - **Ne toucher à aucun interrupteur électrique ; ne pas utiliser de téléphone dans le bâtiment.**
 - **Évacuer le local, le bâtiment ou la zone de tous ses occupants.**
 - **Téléphoner immédiatement à la compagnie de gaz depuis une maison voisine.**
 - **Suivre les instructions de la compagnie de gaz.**
 - **Si la compagnie de gaz n'est pas joignable, appeler les pompiers.**
- **L'installation et l'entretien doivent être effectués par un installateur agréé, un service de réparation ou la compagnie de gaz.**

W052

Enregistrement du produit

Les nouveaux propriétaires d'appareils fabriqués par Alliance Laundry Systems sont encouragés à enregistrer leur appareil afin de bénéficier de la couverture de la garantie limitée. L'enregistrement peut se faire en ligne à <http://www.speed-queen.com/home/en-us/support/product-registration.aspx> ou il est également possible de le faire par l'entremise de votre revendeur. Toute information personnelle à votre égard demeure confidentielle et ne sera pas partagée avec des tiers.

Table des matières


Enregistrement du produit.....	4
Sécurité.....	6
Explications des consignes de sécurité.....	6
Instructions importantes sur la sécurité.....	6
Avant le séchage.....	8
Conseils pour économiser l'énergie.....	8
Conseils et astuces.....	8
Tri.....	8
Chargement.....	8
Utiliser la sècheuse.....	10
Cycles de séchage.....	10
Cycle automatique normal/délicat.....	10
Cycle de séchage minuté.....	10
Cycle défroissage automatique.....	10
Cycle automatique SANS REPASSAGE/TRICOTS.....	11
Séchage d'articles.....	11
Signal de fin de cycle.....	12
Grille de séchage (en option).....	12
Maintenance.....	13
Lubrification.....	13
Entretien de votre sècheuse.....	13
Système d'échappement.....	13
Filtre à charpie.....	13
Dépannage.....	15
Réparations sous garantie.....	16
Coordonnées.....	16


Sécurité

Explications des consignes de sécurité

Des mises en garde (« DANGER », « AVERTISSEMENT » et « ATTENTION »), suivies d'instructions particulières, figurent dans le manuel et sur des autocollants de la machine. Ces mises en garde ont pour objet d'assurer la sécurité des exploitants, utilisateurs, réparateurs et personnels d'entretien de la machine.

	DANGER
Signale un danger imminent pouvant entraîner des blessures graves, voire mortelles.	

	MISE EN GARDE
Signale une situation dangereuse pouvant entraîner des blessures graves, voire mortelles.	

	ATTENTION
Signale une situation dangereuse pouvant causer des blessures légères ou modérées et des dommages matériels.	


D'autres messages (« IMPORTANT » et « REMARQUE ») sont également utilisés, suivis d'instructions particulières.

IMPORTANT : Le mot « IMPORTANT » signale au lecteur que si des procédures particulières ne sont pas suivies, il y a risque de dommages mineurs à l'appareil.

REMARQUE : « REMARQUE » sert à communiquer des renseignements importants, mais qui n'ont pas trait à un danger particulier, sur l'installation, le fonctionnement, l'entretien ou la réparation de l'appareil.

Instructions importantes sur la sécurité

Conserver ces instructions

	MISE EN GARDE
Suivre les précautions élémentaires suivantes pour réduire les risques d'incendie, de choc électrique, de blessures graves, voire de mort pour les personnes qui utilisent la sècheuse :	
W130	

- Lire toutes les instructions avant d'utiliser la sècheuse.
- Consulter les INSTRUCTIONS DE MISE À TERRE données dans le MANUEL D'INSTALLATION pour assurer la mise à terre correcte de la sècheuse.
- Ne pas sécher d'articles qui ont été préalablement nettoyés, trempés ou lavés dans l'essence, des solvants de nettoyage à sec ou d'autres matières inflammables ou explosives, ou qui ont été éclaboussés de ces substances ou matières car elles dégagent des vapeurs qui peuvent s'enflammer ou exploser. Les substances inflammables couramment utilisées dans les environnements intérieurs, notamment l'acétone, l'alcool dénaturé, l'essence, le kérosène, les détachants (certaines marques), la térébenthine, les cires et les décapants. Cet appareil ne doit pas être utilisé pour sécher des solvants ou des fluides de nettoyage à sec.
- Ne pas laisser les enfants jouer sur l'appareil ou à l'intérieur. Cet appareil ne doit pas être utilisé par les jeunes enfants ou les personnes handicapées sans supervision. Il faut surveiller les jeunes enfants pour s'assurer qu'ils ne jouent pas avec le sechoir
- Avant de mettre la sècheuse hors service ou de la mettre au rebut, retirer la porte d'accès au compartiment de séchage.
- Ne pas mettre le bras dans la sècheuse si le tambour tourne.
- Ne pas installer ni entreposer la sècheuse dans un endroit exposé à l'eau ou aux intempéries.
- Ne pas trafiquer les commandes.
- Ne pas réparer ou remplacer de pièces ni tenter d'intervenir sur la sècheuse sauf si expressément indiqué dans les consignes du manuel d'entretien ou d'autres guides de réparation destinés à l'utilisateur et à condition de comprendre ces consignes et d'être capable de les exécuter.
- N'utilisez pas d'assouplissants ni de produits antistatiques à moins que leur utilisation soit recommandée par le fabricant du produit.
- Afin de réduire les risques d'incendie, NE PAS SÉCHER d'articles en plastique ou contenant du caoutchouc-mous-

se (également appelé mousse en latex) ou autres matériaux caoutchouteux de texture semblable. Les matériaux en mousse de caoutchouc peuvent, lorsque chauffés, s'enflammer par combustion spontanée.

- Nettoyer le filtre après chaque utilisation. Une couche de charpie dans le filtre réduit l'efficacité de la sècheuse et prolonge le temps de séchage.
- Maintenez la zone entourant l'ouverture d'échappement exempte de toute accumulation de charpie, de poussière et de saleté.
- L'intérieur de la sècheuse et le conduit d'évacuation doivent être nettoyés périodiquement par des techniciens qualifiés.
- Cet appareil au gaz contient ou produit un ou des produits chimiques qui peuvent causer la mort ou une maladie grave et qui ont été reconnus, en Californie, comme causes de cancer, de défauts congénitaux ou d'autres problèmes de reproduction. Pour réduire les risques inhérents aux substances contenues dans le combustible ou produites par le combustible, s'assurer que cet appareil est installé, utilisé et entretenu conformément aux instructions du fabricant.
- La sècheuse ne fonctionne pas lorsque la porte de chargement est ouverte. NE PAS court-circuiter son contacteur de sécurité pour permettre à la machine de fonctionner avec la porte ouverte. Le culbutage s'arrête si la porte est ouverte. Ne pas utiliser la sècheuse si elle ne s'arrête pas lorsque la porte est ouverte. Ne pas utiliser la sècheuse si le culbutage ne s'arrête pas lorsque l'on ouvre la porte ou si le culbutage se déclenche même lorsque le mécanisme START (mise en marche) n'est pas engagé. Mettre la sècheuse hors service et appeler un technicien de service.
- Ne placer aucun article taché d'huile végétale ou d'huile à cuisson dans la sècheuse car le lavage n'élimine pas toujours ces huiles. Le tissu risque de s'enflammer s'il y reste des résidus d'huile.
- Pour réduire les risques d'incendie, NE PAS METTRE dans la sècheuse des vêtements qui portent des traces de substances inflammables (p. ex., huile mouvement, produits chimiques inflammables, diluants), ni aucun produit contenant de la cire ou des produits chimiques (vadrouille, chiffons) ou des articles nettoyés à sec à la maison avec des produits de nettoyage à sec.
- Utiliser la sècheuse uniquement aux fins pour lesquelles est conçue, c'est-à-dire le séchage des vêtements.
- Toujours débrancher l'alimentation électrique avant de faire l'entretien. Débranchez le cordon d'alimentation en le tenant par la fiche, pas par le câble.
- Si le câble d'alimentation est endommagé, il doit être remplacé par un câble ou un ensemble de branchement spécial offerts par le fabricant ou son mandataire.
- Installer la sècheuse conformément aux INSTRUCTIONS D'INSTALLATION. Tous les branchements d'alimentation électrique, de mise à la terre et d'arrivée de gaz doivent être conformes à la réglementation locale et, le cas

échéant, exécutés par du personnel autorisé. Ne pas le faire soi-même à moins d'en avoir les compétences !

- Retirer les articles de la sècheuse dès qu'elle s'arrête.
- Suivez toujours les instructions figurant sur les emballages des produits nettoyants et d'aide au nettoyage. Respectez tous les avertissements et les précautions. Pour réduire les risques d'empoisonnement ou de brûlures chimiques, toujours garder ces produits hors de la portée des enfants (de préférence dans une armoire verrouillée).
- Ne séchez pas les rideaux et les draperies de fibre de verre, à moins que l'étiquette indique qu'il est permis de le faire. Si vous séchez de tels articles, essuyez le tambour avec un linge humide pour enlever toutes les particules de fibre de verre.
- TOUJOURS suivre les instructions d'entretien des tissus données par le fabricant des vêtements.
- Ne jamais utiliser la sècheuse si les dispositifs ou les panneaux de sécurité ont été enlevés.
- NE PAS utiliser la sècheuse si une pièce manque ou est brisée.
- NE PAS neutraliser de dispositifs de sécurité.
- Le défaut d'installer, d'entretenir ou de faire fonctionner cette machine en conformité avec les instructions du fabricant risque de créer des conditions dangereuses pouvant provoquer de graves blessures et/ou dommages.

REMARQUE : Les AVERTISSEMENTS et CONSIGNES DE SÉCURITÉ IMPORTANTES figurant dans ce manuel ne sont pas destinés à couvrir toutes les situations susceptibles de se produire. Il faut faire preuve de bon sens, de prudence et de soins au moment d'installer et d'utiliser l'appareil et d'en faire l'entretien.


Toujours contacter le revendeur, le distributeur, un réparateur ou le fabricant en cas de problèmes ou de situations difficiles à comprendre.

Avant le séchage

Conseils pour économiser l'énergie

- S'assurer que le filtre à charpie est toujours propre.
- Ne pas surcharger la sècheuse.
- Ne pas sursécher les articles.
- Enlever les articles à repasser alors qu'ils sont encore humides.
- Les grosses charges de tissus semblables sèchent plus efficacement. Cependant, faire sécher les tissus à pressage permanent en plus petites charges pour éviter le froissement.
- Choisir le cycle correct pour le type de tissu à sécher.
- Placer votre sècheuse de manière à ce que le conduit d'évacuation soit aussi court et droit que possible.
- Ne pas ouvrir la porte durant le cycle de séchage.
- Faire votre lessive les jours où il y a peu d'humidité ; vos vêtements sècheront plus rapidement.
- Sécher les multiples charges de vêtements l'une immédiatement après l'autre pour qu'il ne soit pas nécessaire de réchauffer l'intérieur de la sècheuse pour chaque charge.

Conseils et astuces

	MISE EN GARDE
<p>Afin de réduire les risques d'incendie, d'explosion, de blessure grave, voire mortelle, ne pas placer dans la sècheuse des articles comportant des traces de substances inflammables du type huile végétale, huile à moteur, produits inflammables, diluants, etc.</p>	
W131	

- Les directives pour l'installation et pour l'évacuation adéquate sont données dans les instructions d'installation jointes à la sècheuse.
- L'électricité statique peut faire que les articles en fibres synthétiques (p. ex. la lingerie) adhèrent les uns aux autres, en particulier s'ils sont surséchés. L'utilisation d'un liquide assouplissant dans l'eau de rinçage de la machine à laver ou d'une feuille d'assouplissant dans la sècheuse assouplit les vêtements et réduit l'électricité statique.
- Ne pas laver ni sécher dans la même charge des vêtements à pressage permanent ou en tricot et des vêtements qui dégagent des peluches.
- Retirer les charges d'articles à pressage permanent dès que la sècheuse arrête.
- Suivre les instructions d'entretien pour le lavage et le séchage corrects des articles traités avec un RETARDATEUR DE FLAMME, au SCOTCH-GUARD™, etc.

- Si les charges sont trop humides pour être repassées, utiliser le réglage Damp Dryness (séchage humide) d'un cycle automatique.


Tri

Si les articles ont été correctement triés pour le lavage, ils devraient être correctement triés pour le séchage également.

1. Trier par couleur.
2. Séparer les tissus qui dégagent des peluches de ceux qui les attirent. Les serviettes (ratine), les flanelles, la chenille, le coton, les tapis, etc., dégagent des peluches. Le velours côtelé, les tricots (y compris les bas), les tissus à pressage permanent et les tissus synthétiques les attirent.
3. Séparer les articles en fonction de la température de séchage : température élevée, basse température et sans chaleur.

Quel que soit le type de séchage, les tissus légers sèchent plus rapidement que les tissus lourds. Si des charges mixtes sont placées dans la sècheuse en même temps (par exemple des draps et des serviettes), retirer les tissus légers dès qu'ils sont secs pour éviter le surséchage et les faux plis. La meilleure façon de faire est de sécher dans la même charge des articles qui exigent le même temps, la même température ou le même degré de sécheresse.

Chargement

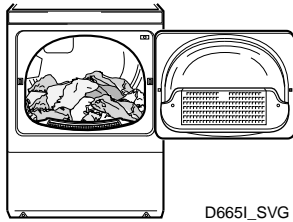
	MISE EN GARDE
<p>Ne pas laver ou sécher d'articles souillés d'huile végétale ou d'huile de cuisson. Il se peut que les huiles ne partent pas au lavage et causent l'inflammation spontanée du tissu.</p>	
W527	

- Ne pas surcharger la sècheuse. Le volume, non le poids, détermine la taille de la charge. Les articles composant la charge pourraient être décolorés ou être endommagés par la chaleur si la sècheuse est surchargée.
- Il doit y avoir dans la sècheuse suffisamment d'espace pour que les articles culbutent librement, ce qui contribue à réduire les faux plis.
- Une charge constituée d'une combinaison d'articles de grande et de petite taille culbute bien. Les charges d'articles à pressage permanent doivent être relativement petites pour avoir suffisamment d'espace pour culbuter. Un culbutage adéquat donne moins de faux-plis.
- Une charge peut être trop petite. Une charge composée de trop peu de petits articles ne culbute pas adéquatement. Le séchage sera plus long et les articles peuvent être frois-

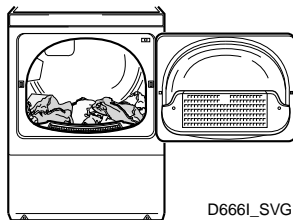
sés. Ajouter à une petite charge quelques grandes serviettes ou des articles qui ne dégagent pas de peluches pour aider le culbutage.

- Les illustrations qui suivent montrent les tailles de charges idéales. Une charge moyenne mouillée occupe entre le tiers et la moitié du tambour.

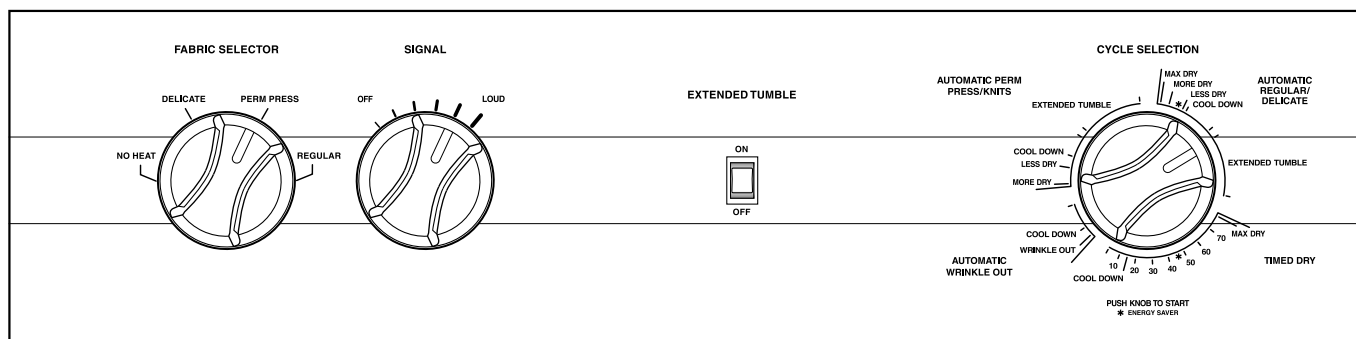
Tambour avec literie et articles en coton mouillés



Tambour avec articles à pressage permanent mouillés



Utiliser la sècheuse



DRY2769N_SVG



MISE EN GARDE

Pour éviter les incendies, les décharges électriques, les blessures graves voire la mort des utilisateurs, consulter les consignes de sécurité avant de faire fonctionner la sècheuse.

W520

La période COOL DOWN (refroidissement) à la fin de chaque cycle permet au linge de tourner sans chaleur et de repasser à la température de la pièce. Ceci permettra de prévenir que les articles se froissent s'ils ne sont déchargés immédiatement.

Le réglage CULBUTAGE PROLONGÉ permet de continuer à faire culbuter les articles sans chaleur une fois le cycle terminé. Ceci empêche le plissage des habillements lorsqu'ils ne peuvent pas être retirés immédiatement de la sècheuse. En réglant le bouton CULBUTAGE PROLONGÉ à ON [activer], les cycles automatiques RÉGULIER/DÉLICAT et SANS REPASSAGE/TRICOTS culbuteront 40 minutes de plus.

REMARQUE : La minuterie avance moins rapidement lors de cycles automatiques que lors d'un cycle de SÉCHAGE MINUTÉ. Le temps requis pour que la minuterie avance dépend du type et de la taille de la charge à sécher.

Les réglages ENERGY SAVER (économie d'énergie), marqués d'un point, sont ceux qui consomment le moins d'énergie et laissent les articles humides pour faciliter le repassage.

Cycle automatique normal/délicat

Ce cycle s'utilise pour les articles tels que les vêtements de travail ou de jeu, et aussi les articles délicats. Le type de chauffage est déterminé par le choix de l'option de sélecteur de tissu. Il y a trois paramètres compris au cycle AUTOMATIC REGULAR/DELICATE (AUTOMATIQUE ORDINAIRE/DÉLICAT) - MAX DRY, MORE DRY, et LESS DRY - (ULTRA SEC, PLUS SEC et MOINS SEC.)

Cycle de séchage minuté

Ce cycle dure 75 minutes. Les cotons épais et articles lourds sèchent mieux entre 50 et 75 minutes, et les articles légers sèchent mieux entre 20 et 40 minutes.

Cycle défroissage automatique

Ce cycle sert à sécher les articles ayant été légèrement froissés après avoir passé la nuit dans une cuve de lavage ou un

Cycles de séchage

REMARQUE : Utiliser les cycles automatiques pour sécher des articles qui peuvent être séchés à la chaleur. Ces cycles sèchent automatiquement le linge au niveau de séchage sélectionné.

Le réglage MAX DRY and MORE DRY (ultra sec et plus sec) permet de sécher de très petites charges et certains articles lourds, comme des jeans, mais fait tourner la sècheuse trop longtemps pour les articles légers comme les draps et les chemises. Le surséchage peut causer des faux-plis, le rétrécissement et le peluchage excessif et utilise plus d'énergie que ce qui est nécessaire.

Le réglage LESS DRY (moins sec), qui utilise le moins d'énergie, permet de sécher des charges lourdes et des articles légers, tels que les draps et les chemises, mais les articles en jean et les serviettes de bain épaisses peuvent rester un peu humides.

Pour maximiser les économies d'énergie et s'assurer de pas trop faire sécher une charge, régler la machine à LESS DRY (moins sec). Si des articles demeurent humides à la fin d'un cycle, le minuteur doit être positionné plus près du réglage MORE DRY (plus sec) la prochaine fois. Si les articles sont trop secs à la fin d'un cycle, le minuteur devrait être positionné plus près du réglage COOL DOWN (refroidissement) la prochaine fois. Se rappeler les réglages les plus appropriés pour obtenir les meilleurs résultats de séchage.

panier à linge. Ce cycle comporte une courte étape de chauffage, suivi d'une étape COOL DOWN (refroidissement) de cinq minutes.

Cycle automatique SANS REPASSAGE/TRICOTS

À utiliser pour les articles sans repassage et synthétiques. Le type de chauffage est déterminé par le choix de l'option du SÉLECTEUR DE TISSUS. Le cycle automatique SANS REPASSAGE/TRICOTS comporte trois réglages : PLUS SEC, MOINS SEC et REFROIDISSEMENT.

Séchage d'articles

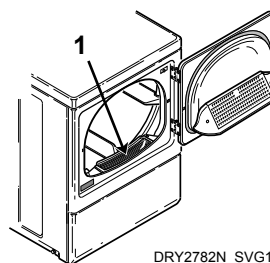
IMPORTANT : Se reporter aux INSTRUCTIONS D'INSTALLATION avant d'utiliser la sècheuse.

IMPORTANT : Avant d'utiliser la sècheuse pour la première fois, se servir d'un produit nettoyant tout usage ou d'une solution d'eau et de détergent et d'un linge humide pour enlever de l'intérieur du tambour la poussière accumulée pendant le transport

1. Trier les articles par catégorie.

REMARQUE : Retirer tous les objets coupants des articles à laver pour éviter les déchirures et les accrocs pendant le fonctionnement normal de la machine.


2. Nettoyer le filtre à peluche.



DRY2782N_SVG1

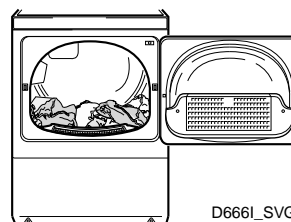
1. Filtre à charpie

Figure 1

	MISE EN GARDE
<p>Pour réduire le risque d'incendie dû à une accumulation des peluches dans le conduit d'évacuation, ne pas faire fonctionner le sèche-linge lorsque le filtre à peluches est installé.</p>	
W771	

3. Emplir la sècheuse à moitié (maximum de 8,6 kg [18 livres] d'articles secs). Ajouter une feuille d'assouplissant, si désiré.

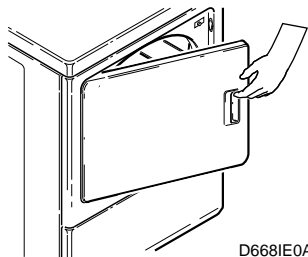
REMARQUE : Pour éviter d'endommager la sècheuse, ne pas utiliser plus d'un feuillet d'adoucisseur par charge.



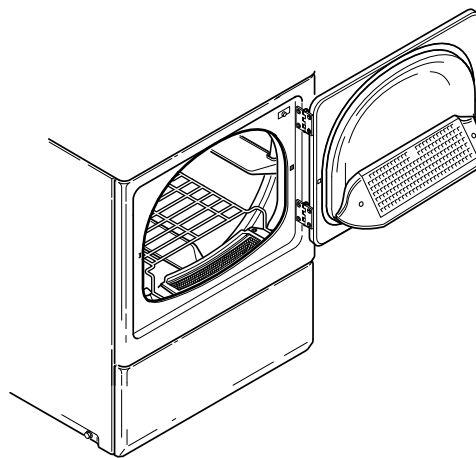
D666I_SVG

Utiliser la sécheuse

4. Fermer la porte de chargement. La sécheuse ne fonctionne pas si la porte est ouverte.



D6681E0A



DRY2332N_SVG

5. Choisir l'option du SÉLECTEUR DE TISSUS. Suivre les recommandations du fabricant du vêtement en ce qui a trait à la température recommandée.
6. Sélectionner l'option CULBUTAGE PROLONGÉ pour poursuivre le culbutage des articles sans chaleur.
7. Sélectionner le réglage de minuterie du cycle désiré. Ces cycles contrôlent le temps de séchage.

Les réglages ENERGY SAVER (économie d'énergie), marqués d'un astérisque (*), indiquent les réglages de la sécheuse qui utilisent le moins d'énergie et qui laissent les articles humides pour faciliter le repassage.

8. Enfoncer le bouton du minuteur pour démarrer le séchoir.

REMARQUE : Pour arrêter la sécheuse à tout moment, ouvrir la portière, tirer sur le bouton de minuterie ou le mettre en position inactive. Pour redémarrer la sécheuse, fermer la portière ou régler la minuterie si nécessaire et appuyer sur le bouton de minuterie.

Signal de fin de cycle

Le volume de la tonalité du signal peut être réglé sur Off (mise en arrêt), LOUD (bruyant) ou alors entre les deux choix. Si le niveau de volume est sélectionné, le signal vous indiquera si le cycle est terminé. Le signal s'arrêtera lorsque la portière s'ouvre, ou quand la minuterie est mise en position OFF.

REMARQUE : Le signal retentira toutes les 10 minutes lorsque l'option CULBUTAGE PROLONGÉ est sélectionnée.

Grille de séchage (en option)

Un support de séchage, n° réf. D512082, est offert à cout supplémentaire par l'entremise du centre de service autorisé.


La grille de séchage peut être utilisée uniquement aux cycles manuels, pour les articles qui doivent sécher sans culbutage, par exemple : espadrilles, pulls, jouets rembourrés ou autres articles délicats.

Maintenance

Lubrification

Toutes les pièces en mouvement sont scellées et lubrifiées en permanence et équipées de roulement sans huile. Pas besoin de lubrification supplémentaire.

Entretien de votre sècheuse

	MISE EN GARDE
<p>Pour réduire les risques de décharge électrique et de blessure grave voire mortelle, débrancher le sèche-linge avant de le nettoyer.</p>	
W132	

Intérieur de la sècheuse

Essuyer les surfaces à l'aide d'un chiffon doux et d'un nettoyant ménager ou d'une pâte non abrasive composée de lessive en poudre et d'eau chaude, suivie d'un cycle de chauffage court avec beaucoup de chiffons.

Pour éliminer l'encre de stylo ou les marques de crayon du tambour de séchage, mettre le chauffage à fond et mettre de vieux chiffons dans la sècheuse pour absorber le crayon ou l'encre. Si cela ne marche pas, contacter votre revendeur. Ne JAMAIS utiliser des produits chimiques dans la sècheuse.

IMPORTANT : Éviter d'utiliser de la javel pour éliminer toute décoloration car elle peut endommager le fini.


Armoire


Essuyer le châssis de la sècheuse si besoin est. En cas de déversement de javel, de lessive ou d'un autre produit de nettoyage sur le châssis, les essuyer immédiatement. Certains produits causent des dommages permanents s'ils sont déversés sur le châssis.

Tableau de commande

N'utiliser qu'un chiffon humide ou mouillé pour nettoyer le tableau de commande. Certains produits de pré-lavage vaporisés peuvent endommager le fini du tableau de commande. NE PAS utiliser de produits contenant de l'alcool sur le panneau de commande.

Systeme d'échappement

	MISE EN GARDE
<p>Pour réduire les risques d'électrisation, débrancher le sèche-linge du courant secteur avant de le nettoyer.</p>	
W043	

	MISE EN GARDE
<p>Tout démontage nécessitant l'emploi d'outils doit être effectué par un réparateur qualifié.</p>	
W299	

Le conduit d'évacuation doit être inspecté après un an d'utilisation et nettoyé, le cas échéant, par un spécialiste qualifié afin de retirer l'accumulation de charpie. Inspecter et nettoyer le conduit d'évacuation tous les ans ou tous les deux ans selon les besoins.

Tous les deux ans, un technicien qualifié doit retirer tous les panneaux avant et nettoyer l'intérieur de la sècheuse à l'aide d'un aspirateur.

REMARQUE : Tous les deux ans, un technicien qualifié doit retirer tous les panneaux avant et nettoyer l'intérieur de la sècheuse à l'aide d'un aspirateur.

Vérifier fréquemment le chapeau de protection pour s'assurer que les registres antirefoulement bougent sans problème, qu'ils ne sont pas enfoncés et que rien n'est appuyé contre eux.

Tenir les matériaux combustibles, l'essence, ainsi que les vapeurs et liquides inflammables loin de la sècheuse.

Ne pas obstruer la circulation de l'air de combustion et de ventilation.

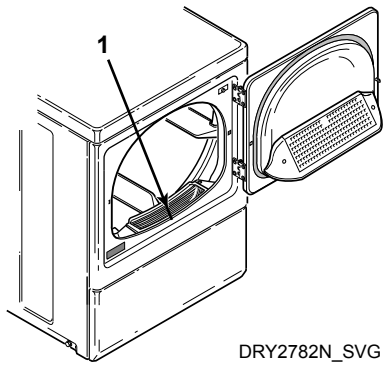
REMARQUE : Vérifier le bon fonctionnement après toute intervention.

Filtre à charpie

Le filtre à charpie est situé dans la partie inférieure de l'ouverture de la porte, à l'avant de la sècheuse.

TOUJOURS NETTOYER LE FILTRE À PELUCHE AVANT CHAQUE CHARGE DE LINGE À SÉCHER.

Retirer le filtre à peluche en dévissant la vis qui le retient en place une fois par an et nettoyer à l'aspirateur le conduit qui se trouve derrière.



1. Filtre à charpie

Figure 2

Dépannage

Respecter ces conseils de dépannage avant d'appeler un réparateur. Ils vous économiseront du temps et de l'argent.

Symptôme présenté par la sécheuse	Cause et correction possibles
Ne démarre pas	<ul style="list-style-type: none"> • Vérifier que la fiche du cordon est enfoncée jusqu'au bout dans la prise de courant. • Assurez-vous que la porte de chargement est fermée. • Enfoncer le bouton du minuteur pour démarrer le séchoir. • Vérifier que le fusible de la lingerie n'a pas fondu, ne s'est pas desserré ou que les disjoncteurs ne sont pas ouverts. • La sécheuse n'est pas équipée d'un fusible électrique. Une sécheuse électrique a un circuit électrique comportant deux fusibles. • Vérifier si la protection anti-surcharge du moteur s'est déclenchée. Patienter 10 minutes et réessayer.
La sécheuse ne chauffe pas	<ul style="list-style-type: none"> • Sécheuses électriques seulement – Certaines maisons peuvent être équipées de deux fusibles ou de deux disjoncteurs pour une sécheuse électrique ; vérifier les deux fusibles ou les deux disjoncteurs. S'assurer que le ou les fusibles de la salle de lavage ne sont ni grillés ni dévissés, ou que les disjoncteurs ne sont pas ouverts. • Sécheuse au gaz uniquement – S'assurer que le robinet de gaz de l'appareil et que le robinet général du circuit de gaz sont ouverts. • Vérifier que le conduit d'évacuation vers l'extérieur n'est pas déformé, bloqué ou engorgé. • Vérifier que les palettes du chapeau de protection bougent sans problème, ne sont pas enfoncées ou n'ont pas été bloquées.
La sécheuse ne sèche pas de façon satisfaisante	<ul style="list-style-type: none"> • Vérifier que le conduit d'évacuation vers l'extérieur n'est pas déformé, bloqué ou engorgé. • Vérifier que les palettes du chapeau de protection bougent sans problème, ne sont pas enfoncées ou n'ont pas été bloquées. • Cycle autoréglé – la machine règle le niveau de séchage. • Cycle manuel – permet à l'utilisateur de définir plus ou moins de temps. • Nettoyer le filtre à charpie. • Assurez-vous que la porte de chargement n'est pas trop petite. Les petites quantités de linge peuvent ne pas culbuter correctement ou sécher uniformément. • Vérifier que les vêtements sont en train d'être séchés. Les articles lourds séchés avec des articles plus légers ne sécheront pas aussi rapidement. • Se reporter à la section Triage pour plus d'informations au sujet de comment bien trier les articles à laver.

Le tableau continue...

Symptôme présenté par la sècheuse	Cause et correction possibles
La sècheuse fait du bruit	<ul style="list-style-type: none"> Examiner qu'il n'y pas d'objets étrangers dans le cylindre (clous, pièces de monnaie, épingles à cheveux, métal, jouets en plastique, etc.). Retirer des articles de la sècheuse. Vérifier que la sècheuse est au niveau. Si le lave-linge n'est pas de niveau, cela peut causer des vibrations.
Les vêtements sont trop froissés	<ul style="list-style-type: none"> Contrôler le réglage de la chaleur. Si les vêtements sont trop séchés, ils peuvent se froisser. Vérifier la taille de la charge. Les grosses quantités de linge peuvent ne pas culbuter correctement et se froisser.
Les vêtements sentent	<ul style="list-style-type: none"> Vérifier que la pièce ne sent pas mauvais avant de sécher les vêtements. Toute odeur (aliments frits, peinture, vernis, nettoyeurs, bois qui brûle, etc.) imprègne les vêtements puisque la sècheuse aspire l'air de la pièce. Aérer la pièce avant de sécher les vêtements.
Le cycle progresse trop lentement	<ul style="list-style-type: none"> Le temps requis par un cycle autoréglé dépend du type et de la taille de la charge à sécher. Le cycle prend plus de temps lorsque les vêtements sont humides que lorsqu'ils sont plus secs.

Réparations sous garantie

Si votre laveuse ou sècheuse nécessite des réparations, utiliser le chercheur de service après-vente à www.speed-queen.com.

Nous tenons à souligner que les cas suivants ne constituent pas à notre point de vue une défaillance du produit et ne sont pas couverts par la garantie. Si l'on fait appel à un technicien de service pour traiter les cas énumérés ci-dessous, tout service rendu vous sera facturé.

- Ventilation bloquée ou restreinte
- Ventilation crochie
- Accumulation de charpie à l'intérieur de la sècheuse
- Problématiques liées au réseau électrique domestique
- Problématiques liées au réseau de gaz domestique
- Corps étrangers se trouvant à l'intérieur de la sècheuse

Coordonnées

En cas de nécessité d'entretien, contacter le centre de service après-vente agréé le plus proche. Pour trouver le centre de service après-vente le plus proche, nous visiter en ligne à www.speedqueen.com.

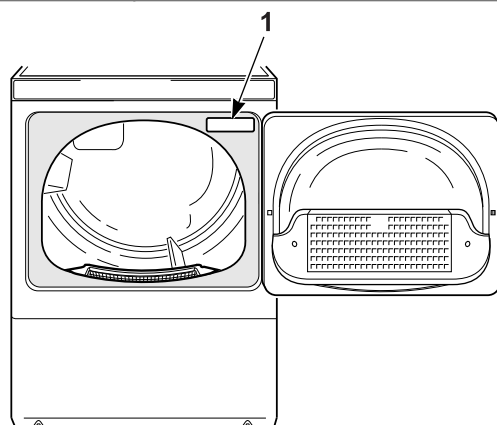
S'il vous est impossible de localiser un centre de réparation agréé ou que les réparations ou l'entretien de votre appareil laissent à désirer, communiquer avec :

Speed Queen
Shepard Street
P.O. Box 990
Ripon, Wisconsin 54971-0990

www.speedqueen.com - sélectionner « Find Service » [trouver service] et saisir votre code postal pour trouver une entreprise de service locale

Téléphone : (920)748-3121

Date d'achat	
Numéro de modèle	
Numéro de série	



DRY2783N_SVG

1. Numéro de série

Pour toute communication relative à votre machine à laver, **VEUILLEZ FOURNIR LES NUMEROS DE MODELE ET DE SERIE.** Le numéro de modèle et le numéro de série figurent sur la plaque signalétique. La plaque signalétique est à l'endroit indiqué. Veuillez inclure une photocopie de votre contrat de vente et tous les reçus d'entretien.

Si des pièces de rechange sont requises, contacter le revendeur qui vous a vendu votre laveuse ou nous visiter en ligne à www.speedqueen.com.



MISE EN GARDE

Pour réduire les risques de blessures graves, voire de mort, N'EFFECTUER AUCUNE RÉPARATION NI AUCUN ENTRETIEN, et ne changer aucune pièce de l'unité à moins que cela ne soit spécifiquement recommandé dans les instructions d'entretien pour l'utilisateur ou dans un autre manuel pertinent, et à moins de bien comprendre ces instructions et d'avoir la compétence pour effectuer les opérations.

W329