

# FULGOR

## MILANO

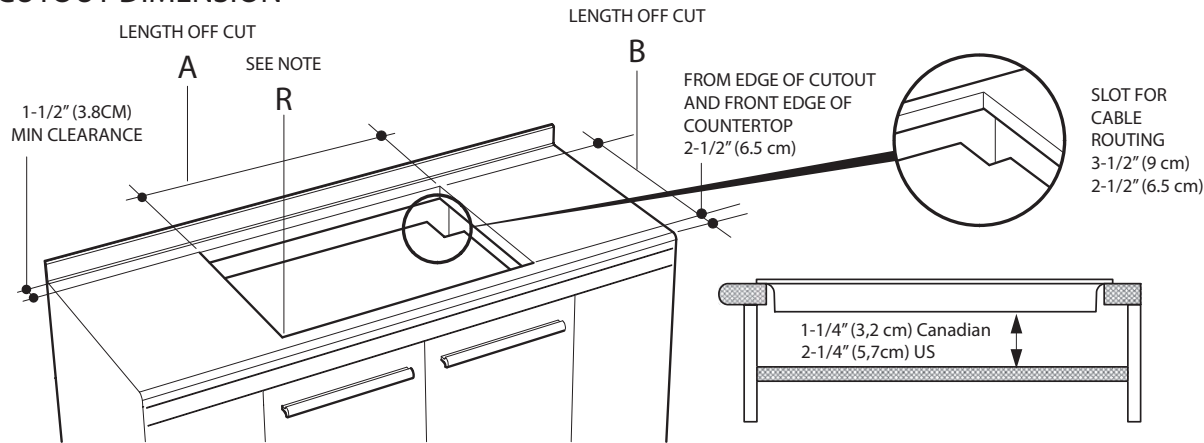
### 600 Series 36" Radiant Cooktop Touch Control

F6RT36S2



<b>Series</b>	<b>600</b>
Size	36"
Colour	Steel
Heating technology	Radiant Heaters
Glass Type	Glass Ceramic
Frame	Aluminum
Control type	Touch Control Peacock High
<b>Control Features</b>	
Slide touch control for power setting	•
"Peacock Tail" Bar for power indication	•
Digital display for power level indication	5
Low power scale for delicate cooking	•
Command Lock	•
Automatic Fast Boil function	•
Hot Surface indication	•
Residual heat indication	•
Timer functions	1+5
Timer display	•
Acoustic buzzer	•
Failure Codes indication	•
<b>Front Left Zone</b>	
Size	7"
Power	1800W
<b>Bridge Element</b>	
Power	800W
<b>Rear Left Zone</b>	
Size	7"
Power	1800W
<b>Central Zone</b>	
Size	9" / 7" / 5"
Power	2500W / 1600W / 800W
<b>Rear Right Zone</b>	
Size	7"
Power	1800W
<b>Front Right Zone</b>	
Size	6"
Power	1200W
<b>Dimensions/Weight - (In or Lbs)</b>	
Overall dim - width	36 3/16" (919mm)
Overall dim - height	3 5/16" (84mm)+ conduit 15/16" (24mm)
Overall dim - depth	21 3/16" (538mm)
Cutout - width (min-max)	34 1/16" (865mm) - 34 5/16" (872mm)
Box - height	3 1/16" (78mm)+ conduit 15/16" (24mm)
Cutout - depth (min-max)	19 1/4" (490mm) - 19 5/8" (498mm)
<b>Power / Ratings (208/240 V, 60 Hz)</b>	
KW/Amps rating at 240V, 60Hz	9.900kW - 41.25A
KW/Amps rating at 208V, 60Hz	7.436kW - 35.75A
Cable + Conduit	•
<b>INSTRUCTIONS FOR USE</b>	
Use & Care Manual	EN, SP, FR
Installation Manual	EN, SP, FR

### CUTOUT DIMENSION



Ltr.	CUTOUT DIMENSION	inch	cm
A	Cutout Width	Min 34-1/16" Max 34-5/16"	Min 86,5 Max 87.2
B	Cutout Depth	Min 19-1/4" Max 19-5/8"	Min 49.0 Max 49.8
C	Opening between cabinets	Min 36" min	Min 91.4
D	Height from countertop to nearest cabinet on either side of unit	Min 18"	Min 45.7
E	Clearance from countertop to unprotected overhead surface	Min 30"	Min 76.2
F	Clearance from cutout to side wall on the left and right of the unit	Min 2"	Min 5
G	Depth of unprotected overhead cabinets	Min 13"	Min 33

### CUTOUT REQUIREMENTS

#### NOTE

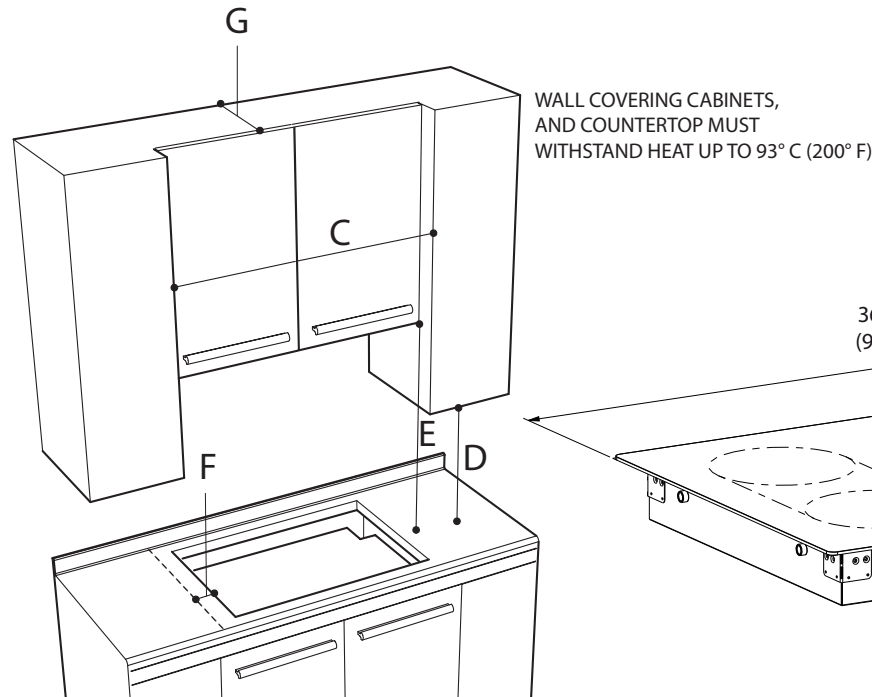
R  
Radius corners of cutout and file to insure smooth edges and prevent corner cracking. Recommend 1/4" or 3/8" diameter drill in each.

#### IMPORTANT

Under the cooktop it is necessary to install a partition, spaced from the bottom of the appliance as shown in figure above.

#### \* NOTE

24" (61 cm) min. clearance if bottom of wood or metal cabinets is protected by not less than 1/4" (0.6 cm) flame retardant millboard covered with no less than No. 28 MSG sheet steel 0.015" (0.04 cm) stainless steel, or 0.024" (0.06 cm) aluminum or 0.020" (0.05cm) copper. 30" (76.2 cm) min. clearance between top of cooking platform and bottom of unprotected wood or metal cabinet.



PACKAGING		lb / inch	Kg / mm
GROSS WEIGHT		43 lb	19.4 Kg
DIMENSION	W	40"1/2	1030
	D	23"1/2	598
	H	7"1/4	185

