

# Built-in oven

## Installation Manual

HBE5452UC



**BOSCH**  
Invented for life





---

# Table of Contents

<b>Safety Definitions</b> .....	<b>3</b>	<b>Dimensions and Cabinet Requirements</b> .....	<b>7</b>
<b>IMPORTANT SAFETY INSTRUCTIONS</b> .....	<b>4</b>	Appliance Dimensions .....	7
Appliance Handling Safety .....	4	Cabinet Dimensions .....	7
Safety Codes and Standards .....	4	<b>Install Appliance</b> .....	<b>8</b>
Electric Safety .....	4	Electrical Installation .....	8
Related Equipment Safety .....	4	Mount to cabinet .....	9
State of California Proposition 65 Warnings: .....	4	Check the Installation .....	9
Transport .....	5	<b>Customer Service</b> .....	<b>10</b>
<b>Before you begin</b> .....	<b>6</b>	Before Calling Service .....	10
Tools and parts needed .....	6	Data Plate .....	10
Parts included .....	6	Service .....	10
Power Requirements .....	6	Parts and Accessories .....	10
Preparing the units .....	6		
<b>Removing Packaging</b> .....	<b>6</b>		

This Bosch Appliance is made by  
BSH Home Appliances Corporation  
1901 Main Street, Suite 600  
Irvine, CA 92614

Questions?  
1-800-944-2904  
[www.bosch-home.com/us](http://www.bosch-home.com/us)

We look forward to hearing from you!

---

## Safety Definitions

---

### **▲ WARNING**

This indicates that death or serious injuries may occur as a result of non-observance of this warning.

---

---

### **▲ CAUTION**

This indicates that minor or moderate injuries may occur as a result of non-observance of this warning.

---

**NOTICE:** This indicates that damage to the appliance or property may occur as a result of non-compliance with this advisory.

**Note:** This alerts you to important information and/or tips.

# **IMPORTANT SAFETY INSTRUCTIONS**

## READ AND SAVE THESE INSTRUCTIONS

---

### **WARNING**

When properly cared for, your new appliance has been designed to be safe and reliable. Read all instructions carefully before use. These precautions will reduce the risk of burns, electric shock, fire, and injury to persons. When using kitchen appliances, basic safety precautions must be followed, including those in the following pages.

---

---

### **WARNING**

If the information in this manual is not followed exactly, fire or shock may result causing property damage or personal injury.

---

---

### **WARNING**

Do not repair, replace or remove any part of the appliance unless specifically recommended in the manuals. Improper installation, service or maintenance can cause injury or property damage. Refer to this manual for guidance. All other servicing should be done by an authorized servicer.

---

This appliance is intended for use at an elevation of no more than 2000 meters above sea level.

### **Appliance Handling Safety**

Unit is heavy and requires at least two people or proper equipment to move.

Do not lift appliance by door handle.

Hidden surfaces may have sharp edges. Use caution when reaching behind or under appliance.

### **Safety Codes and Standards**

This appliance complies with the latest version of one or more of the following standards:

- CAN/CSA C22.2 No. 61 - Household Cooking Ranges
- UL 858 - Household Electric Ranges
- CAN/CSA C22.2 No. 150 - Microwave Ovens
- UL 923 - Microwave Cooking Appliances
- CSA C22.2 No. 64 - Household Cooking and Liquid-Heating Appliances
- UL 1026 - Electric Household Cooking and Food Serving Appliances

It is the responsibility of the owner and the installer to determine if additional requirements and/or standards apply to specific installations.

### **Electric Safety**

---

#### **WARNING**

Before you plug in an electrical cord or turn on power supply, make sure all controls are in the OFF position.

---

If required by the National Electrical Code (or Canadian Electrical Code), this appliance must be installed on a separate branch circuit.

Installer – show the owner the location of the circuit breaker or fuse. Mark it for easy reference.

**INSTALLER: LEAVE THESE INSTRUCTIONS WITH THE APPLIANCE AFTER INSTALLATION IS COMPLETE.**

**IMPORTANT: SAVE THESE INSTRUCTIONS FOR THE LOCAL ELECTRICAL INSPECTOR'S USE.**

Before installing, turn power OFF at the service panel. Lock service panel to prevent power from being turned ON accidentally.

Refer to data plate for more information. See “Data Plate” under “Service” for data plate location.

Be sure your appliance is properly installed and grounded by a qualified technician. Installation, electrical connections and grounding must comply with all applicable codes.

### **Related Equipment Safety**

Remove all tape and packaging before using the appliance. Destroy the packaging after unpacking the appliance. Never allow children to play with packaging material

Never modify or alter the construction of the appliance. For example, do not remove leveling legs, panels, wire covers or anti-tip brackets/screws.

Before starting up the appliance, remove any packaging material and adhesive film from the cooking compartment and the door.

### **State of California Proposition 65**

#### **Warnings:**

---

#### **WARNING**

This product can expose you to chemicals including vinyl chloride, which is known to the State of California to cause cancer and birth defects or other reproductive harm. For more information go to

**[www.P65Warnings.ca.gov](http://www.P65Warnings.ca.gov)**

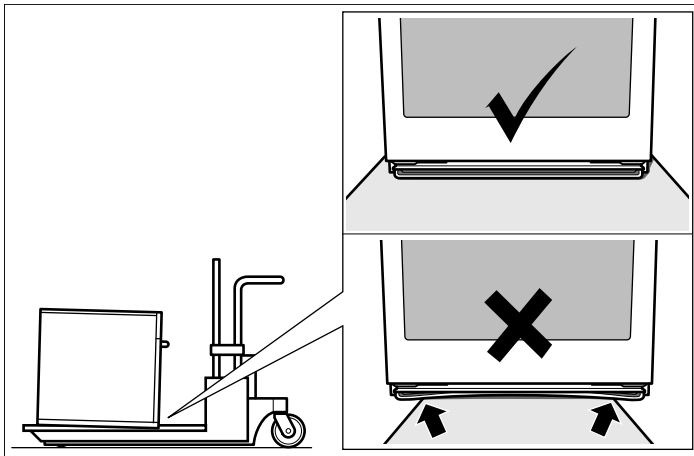
---

# ⚠ IMPORTANT SAFETY INSTRUCTIONS

READ AND SAVE THESE INSTRUCTIONS

## Transport

To avoid damage to the oven vent, use the transport method shown in the picture below.



# Before you begin

## Tools and parts needed

- Philips head screwdriver
- 1/8" drill bit and drill
- Measuring tape

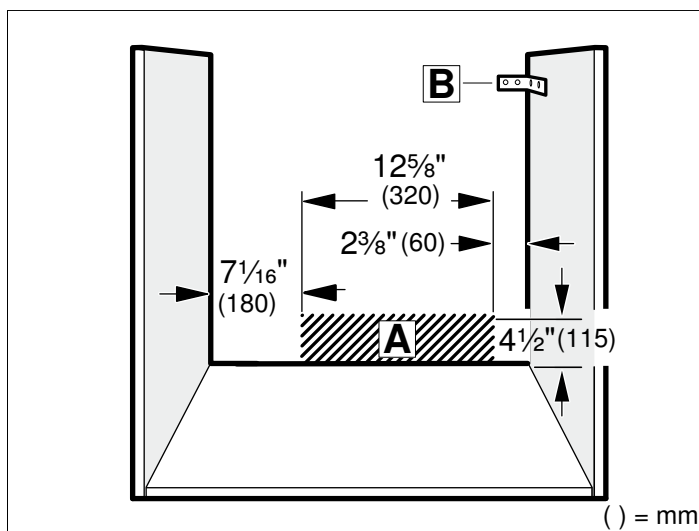
## Parts included

Built-in oven

## Power Requirements

The outlet must be properly grounded in accordance with all applicable codes.

- The electrical outlet for the appliance must either be located in the shaded area **A** or outside of the area where the appliance is installed.
- Secure any unsecured units to the wall using a standard bracket **B**.



## Preparing the units

- This unit must be installed according to all installation instructions to ensure its safe operation.
- Check the appliance for damage after unpacking it. Do not connect the appliance if it has been damaged in transit.
- Proceed in accordance with the installation sheets for installing accessories.
- Before starting up the appliance, remove any packaging material and adhesive film from the cooking compartment and the door.
- The cabinet into which the appliance is built in must be heat-resistant up to 195° F (90 °C), and adjacent cabinet fronts up to 160° F (70 °C).
- Do not install the appliance behind a decorative panel. There is a risk of overheating.
- Any cut-outs that need to be made in the units should be made before the appliance is installed. Remove any shavings, as they may prevent the electrical components from working properly.
- Wear protective gloves to prevent cuts. Parts that are accessible during installation may have sharp edges.
- Secure any unsecured units to the wall using a standard bracket.
- The dimensions in the figures are in inches (mm).

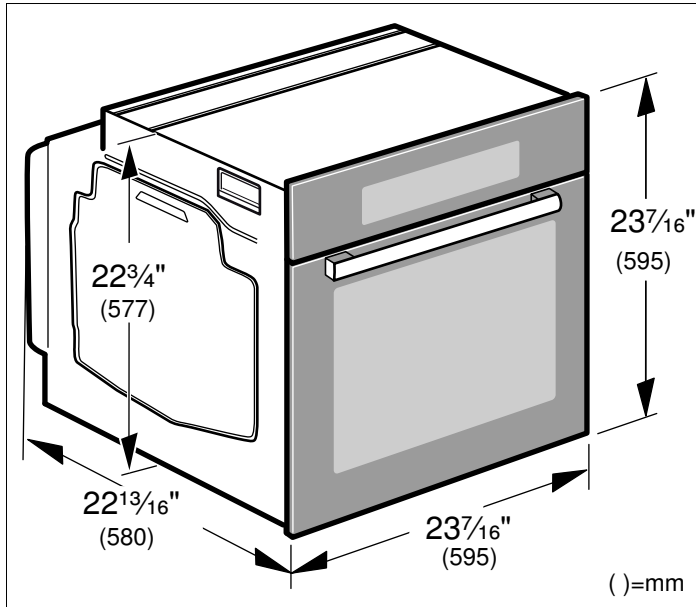
# Removing Packaging

**NOTICE:** To prevent damage to your floor keep the unit in its packaging base until ready to be placed in the cabinet opening. Do not slide the unit across the flooring.

1. Cut straps on outside of box.
2. Remove cardboard box.
3. Remove all top and side cardboard and Styrofoam braces.
4. Place oven in front of cabinets where it is to be installed.

# Dimensions and Cabinet Requirements

## Appliance Dimensions

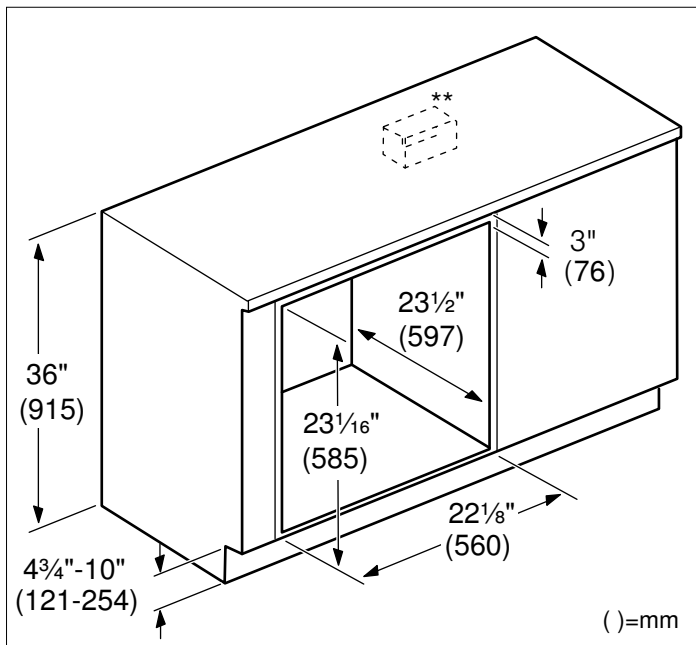


## Cabinet Dimensions

### General Cabinet Requirements

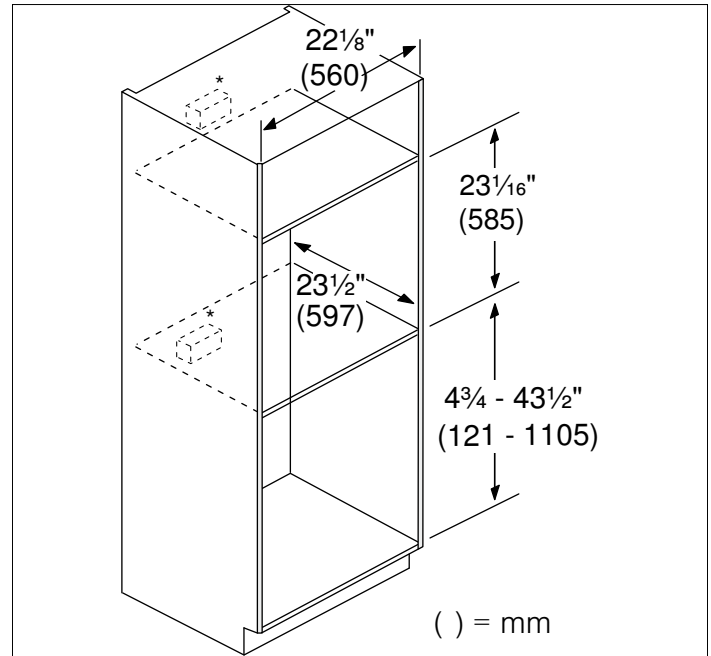
The cabinet base must be flat, level and capable of supporting a weight of at least 110 lbs (50 kg).

### Unit under the counter



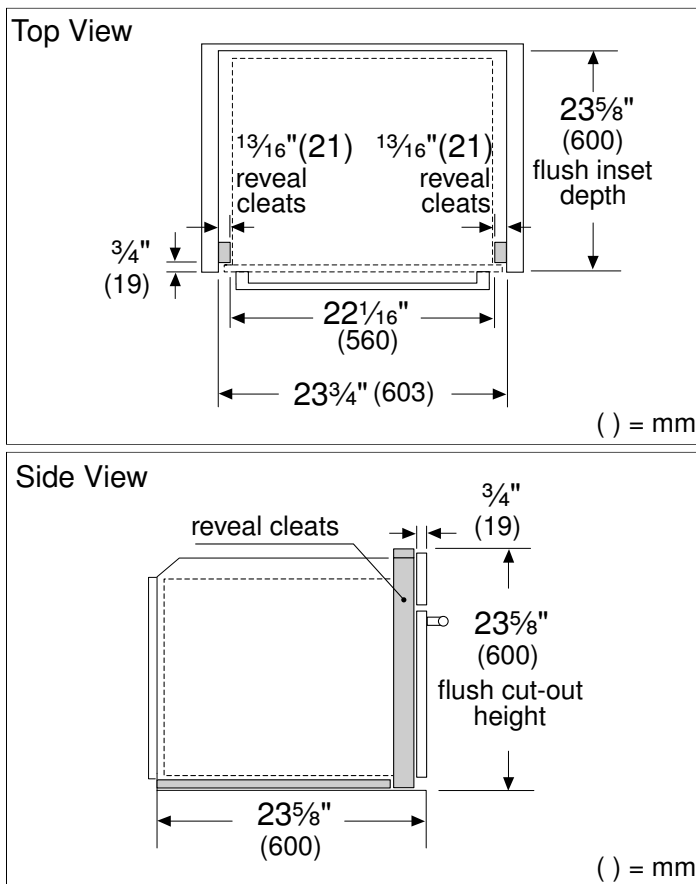
Secure the countertop to the cabinet.  
For installation with cooktop, reference cooktop installation drawing.

## Wall mounted unit



\* for wall installations, the junction box may be located above or below the unit within reach of the power cable.

## Flush installation



\* Flush installation requires a  $\frac{3}{16}$ " (5 mm) high x  $22\frac{1}{16}$ " (560 mm) wide x  $22\frac{7}{8}$ " (581 mm) deep base-plate underneath the unit body.

## Install Appliance

### Electrical Installation

The ovens is dual rated, designed to be connected to either 208/240V AC, 60 Hz, 4 wire, single-phase power supply.

Model	Dedicated circuit required
HBE5452UC	20 AMP

The electrical supply should be a 4-wire single-phase AC. Install a suitable conduit box (not furnished). An appropriately-sized, UL-listed conduit connector must be used to correctly attach the conduit to the junction box.

**NOTICE:** Local Codes may vary; installation, electrical connections and grounding must comply with all applicable local codes.

If local codes permit grounding through the electrical supply neutral, connect both the white neutral wire and the bare ground wire from the oven to the white neutral electrical supply wire.

### CAUTION

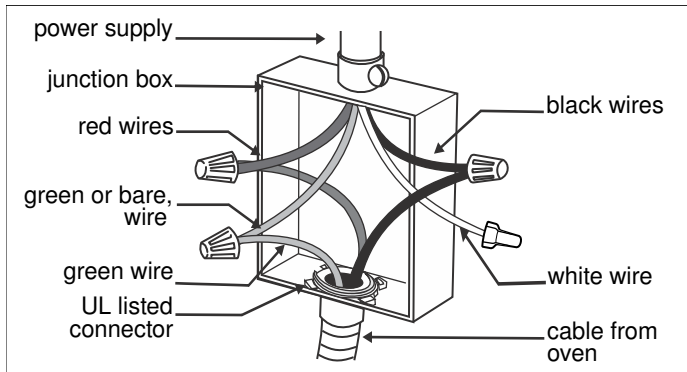
- The appliance must be disconnected from the power supply during all installation work.
- The appliance must only be connected with the power cable provided.
- Protection against contact must be ensured by the installation.



## Electrical Connection

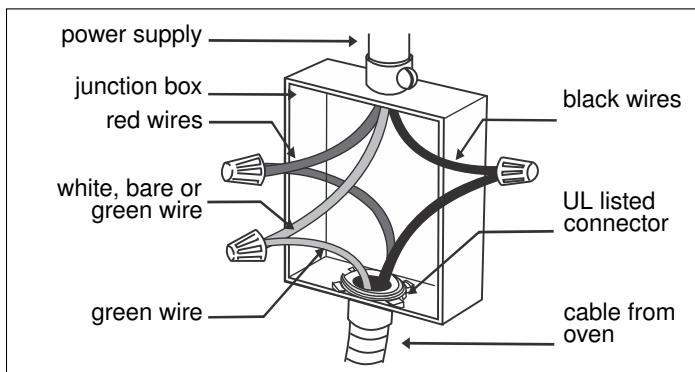
The four-wire connection is preferred, but where local codes permit, the three wire connection is also acceptable.

### Four-wire Connection Ungrounded Neutral



- Connect the red oven wire to the red electrical supply wire (hot wire).
- Connect the black oven wire to the black electrical supply wire (hot wire).
- Connect the green ground oven wire to the bare or green ground electrical supply wire.

### Three-wire Connection Grounded Neutral



- Connect red wire from oven to red wire in junction box.
- Connect black wire from oven to black wire in junction box.
- Connect green ground wire from oven to white, green or bare neutral wire in junction box.

The conduit cable, where connected at the oven, swivels. Rotate conduit cable upward (or downward) and direct through hole prepared in cabinet to attach to junction box.

To maintain serviceability, the flex conduit must not be shortened and should be routed to permit temporary removal of the oven.

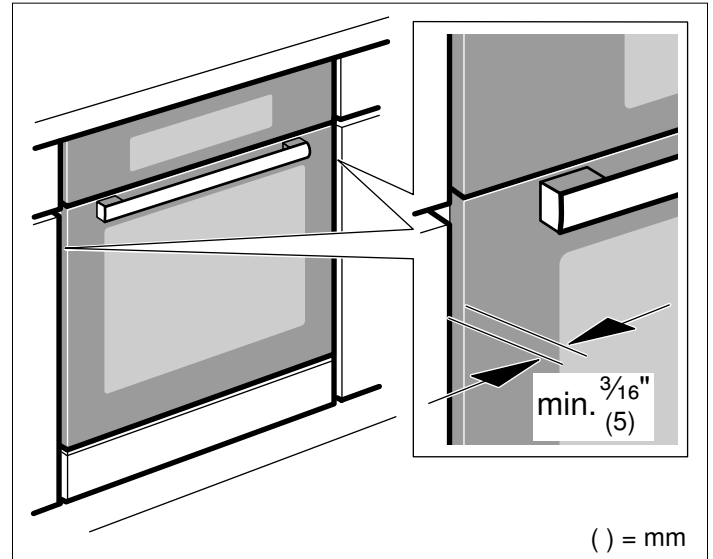
## Mount to cabinet

**NOTICE:** Before installing the appliance, be sure to verify the cabinet dimensions and electrical connections.

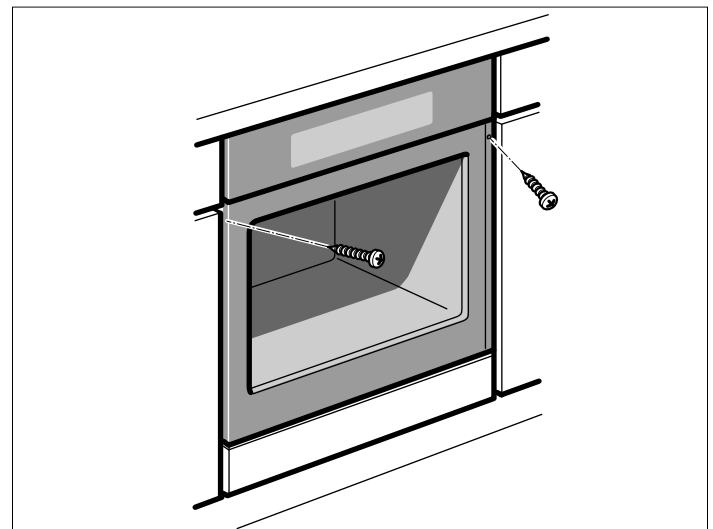
**Note:** The appliance is heavy. It is advisable to install it with a second person.

1. Fully insert the appliance and center it.

**NOTICE:** Connection lines and cables must not kink or come into contact with sharp edges.



2. Secure the appliance to the cabinet using 2 screws.



The gap between the countertop and appliance may not be sealed by additional strips.

Thermal insulation strips may not be fitted to the side panels of the surround unit.

## Check the Installation

### ⚠ WARNING

Before you plug in an electrical cord or turn on power supply, make sure all controls are in the OFF position.

Switch on the circuit breaker.

Verify that elements function properly.

# Customer Service

## Before Calling Service

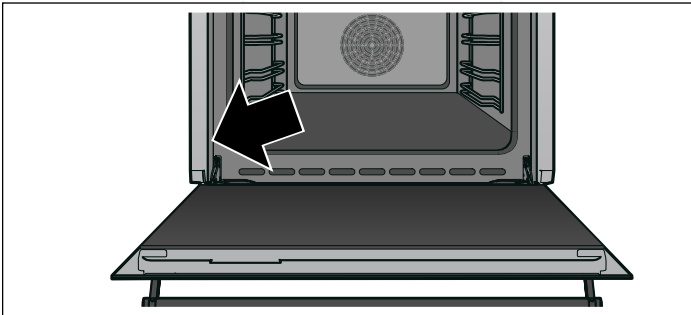
See the Use and Care Manual for troubleshooting information. Refer to the "Statement of Limited Product Warranty" in the Use and Care Manual.

To reach a service representative, see the contact information at the front of the manual or in the following section. Please be prepared with the information printed on your product data plate prior to calling.

## Data Plate

The data plate shows the model and serial number. Refer to the data plate on the appliance when requesting service.

The data plate can be found at the left side of the oven cavity.



To avoid having to search for each piece of information when calling, you can enter the four items needed in the spaces provided below.

---

**Model No.**

---

**FD-No.**

---

**Date of Purchase**

---

**Customer Service** ☎

---

Keep your invoice or escrow papers for warranty validation if service is needed.

## Service

We realize that you have made a considerable investment in your kitchen. We are dedicated to supporting you and your appliance so that you have many years of creative cooking.

Please don't hesitate to contact our Customer Support Department if you have any questions or in the unlikely event that your Bosch® appliance needs service. Our service team is ready to assist you.

### USA

800-944-2904

[www.bosch-home.com/us/support](http://www.bosch-home.com/us/support)

### Canada

800-944-2904

[www.bosch-home.ca/en/support](http://www.bosch-home.ca/en/support)

## Parts and Accessories

Parts, filters, descalers, stainless steel cleaners and more can be purchased in the Bosch® eShop or by phone.

### USA

[www.bosch-home.com/us/store](http://www.bosch-home.com/us/store)

### Canada

Marcone 800-482-6022

or

Reliable Parts 800-941-9217

# Table des matières

<b>Définitions de sécurité</b> .....	<b>11</b>	<b>Exigences en matière de dimensions et d'armoire ..</b>	<b>15</b>
<b>IMPORTANTES CONSIGNES DE SÉCURITÉ</b> .....	<b>12</b>	Dimensions de l'appareil .....	15
Sécurité de manutention des appareils .....	12	Dimensions de la découpe des armoires .....	15
Codes et normes de sécurité .....	12	<b>Installation de l'appareil</b> .....	<b>16</b>
Sécurité électrique .....	12	Installation électrique .....	16
Sécurité apparentée concernant l'équipement .....	13	Installation sur un caisson .....	17
Avertissement issue de la proposition 65 de l'État de la Californie : .....	13	Vérification de l'installation .....	18
Transport .....	13	<b>Service après-vente</b> .....	<b>18</b>
<b>Avant de commencer</b> .....	<b>14</b>	Avant d'appeler le service de dépannage .....	18
Outils et pièces nécessaires .....	14	Plaque signalétique .....	18
Pièces comprises .....	14	Service .....	18
Exigences électriques .....	14	Pièces et accessoires .....	18
Préparation du meuble .....	14		
<b>Pour enlever l'emballage</b> .....	<b>14</b>		

Cet appareil électroménager Bosch est fabriqué par  
BSH Home Appliances Corporation  
1901 Main Street, Suite 600  
Irvine, CA 92614

Vous avez des questions?

1 800 944-2904

[www.bosch-home.com/us](http://www.bosch-home.com/us)

Nous nous ferons un plaisir de vous servir!

## Définitions de sécurité

### **▲ AVERTISSEMENT**

Ceci indique que le non-respect de cet avertissement peut entraîner des blessures graves, voire la mort.

### **▲ ATTENTION**

Ceci indique que le non-respect de cet avertissement peut entraîner des blessures légères ou de gravité moyenne.

**AVIS :** Ceci indique que la non-conformité à cet avis de sécurité peut entraîner des dégâts matériels ou endommager l'appareil.

**Remarque :** Ceci vous signale des informations et/ou indications importantes.

# **IMPORTANTES CONSIGNES DE SÉCURITÉ**

## LIRE ET CONSERVER CES INSTRUCTIONS

---

### AVERTISSEMENT

---

Votre nouvel appareil a été conçu pour un fonctionnement sûr et fiable si vous en prenez bien soin. Lire attentivement toutes les consignes avant l'emploi. Ces précautions réduiront les risques de brûlures, de choc électrique, d'incendie et de lésions corporelles. Lors de l'utilisation d'un appareil électroménager, quelques précautions de sécurité élémentaires doivent être observées, y compris celles qui figurent aux pages suivantes.

---

---

### AVERTISSEMENT

---

Si l'information de ce guide n'est pas suivie exactement, il peut en résulter un incendie ou un choc électrique causant des dommages à la propriété, des blessures ou la mort.

---

---

### AVERTISSEMENT

---

Ne réparez, remplacez, ni ne retirez aucune partie de l'appareil, excepté si les manuels recommandent de le faire. Une installation, un entretien ou une inspection incorrects peuvent occasionner des blessures ou des dommages matériels. Reportez-vous au présent manuel pour obtenir des indications. Toute autre intervention doit être effectuée par un technicien agréé.

---

Cet appareil est conçu pour une utilisation jusqu'à une altitude maximale de 2 000 m.

### Sécurité de manutention des appareils

Cet appareil est lourd et il faut au moins deux personnes ou l'équipement approprié pour le déplacer. Ne pas soulever l'appareil par la poignée de la porte. Certaines surfaces peuvent avoir des bords tranchants. Faire attention en étendant le bras derrière l'appareil ou en dessous.

### Codes et normes de sécurité

Cet appareil est conforme aux plus récentes versions de l'une ou plus des normes suivantes :

- CAN/CSA C22.2 No. 61 - Cuisinières pour usage ménager (Household Cooking Ranges)
- UL 858 - Cuisinières électriques domestiques (Household Electric Ranges)
- CAN/CSA C22.2 No. 150 - Fours à micro-ondes (Microwave Ovens)
- UL 923 - Appareils de cuisson à micro-ondes (Microwave Cooking Appliances)
- CSA C22.2 No. 64 - Appareils de cuisson domestique et de chauffage des liquides (Household Cooking and Liquid-Heating Appliances)
- UL 1026 - Appareils électriques domestiques pour la cuisson et la préparation des aliments (Electric Household Cooking and Food Serving Appliances)

Il incombe au propriétaire et à l'installateur de déterminer si des exigences et/ou normes additionnelles s'appliquent pour des installations spécifiques.

### Sécurité électrique

---

#### AVERTISSEMENT

---

Avant tout raccordement de cordon électrique ou toute mise sous tension, assurez-vous que toutes les commandes sont en position OFF (d'arrêt).

---

S'il y a lieu, conformément au Code national de l'électricité (ou au Code canadien de l'électricité), cet appareil doit être installé sur un circuit de dérivation séparé.

Installateur – Indiquer au propriétaire l'emplacement du disjoncteur ou du fusible. Identifier sa position pour pouvoir le retrouver facilement.

**INSTALLATEUR : LAISSEZ CES INSTRUCTIONS AVEC L'APPAREIL APRÈS UNE FOIS L'INSTALLATION TERMINÉE.**

**IMPORTANT : CONSERVER CES INSTRUCTIONS POUR L'USAGE DE L'INSPECTEUR ÉLECTRIQUE LOCAL.**

Avant l'installation, mettre l'appareil hors service au panneau de service. Verrouiller le panneau d'entrée d'électricité pour éviter que le courant ne soit accidentellement rétabli.

Pour plus d'informations, se reporter à la plaque signalétique. Pour connaître l'emplacement de la plaque signalétique, voir "Plaque signalétique" sous "Entretien". S'assurer que l'appareil est installé et mis à la terre par un technicien qualifié. L'installation, les connexions électriques et la mise à la terre doivent être conformes à tous les codes applicables.

# ⚠ **IMPORTANTES CONSIGNES DE SÉCURITÉ**

## LIRE ET CONSERVER CES INSTRUCTIONS

### **Sécurité apparentée concernant l'équipement**

Retirer le ruban adhésif et l'emballage avant d'utiliser l'appareil. Détruire l'emballage après avoir déballé l'appareil. Ne jamais laisser les enfants jouer avec les matériaux de conditionnement.

Ne jamais modifier ni altérer la configuration de l'appareil. Par exemple, ne pas retirer les pieds de nivellement, les panneaux, les couvercles de câblage ou les fixations/vis antibasculement.

Avant d'allumer l'appareil, retirez tout matériel d'emballage ou pellicule adhésive du compartiment de cuisson et de la porte.

### **Avertissement issue de la proposition 65 de l'État de la Californie :**

---

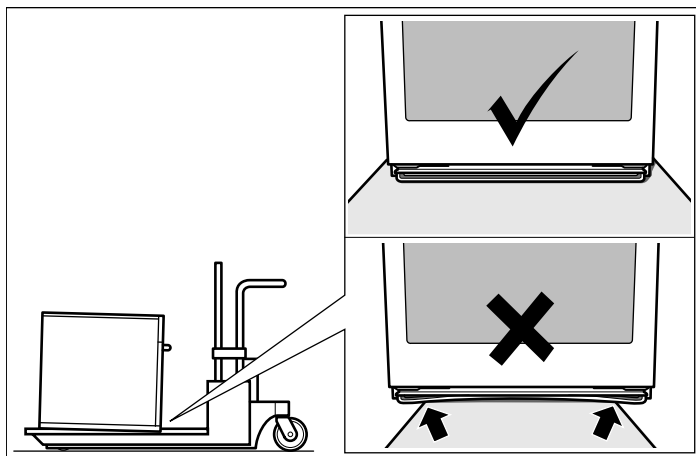
#### **AVERTISSEMENT**

Ce produit peut vous exposer à des produits chimiques, comme du chlorure de vinyle, reconnus par l'État de la Californie comme causant le cancer, des malformations congénitales ou d'autres effets nocifs sur la reproduction. Pour de plus amples renseignements, consultez [www.P65Warnings.ca.gov](http://www.P65Warnings.ca.gov).

---

### **Transport**

Pour éviter tout dommage à l'événement du four, utiliser la méthode de transport illustrée ci-dessous.



# Avant de commencer

## Outils et pièces nécessaires

- Tournevis cruciforme
- Mèche de 1/8 po (3 mm) et perceuse
- Ruban à mesurer

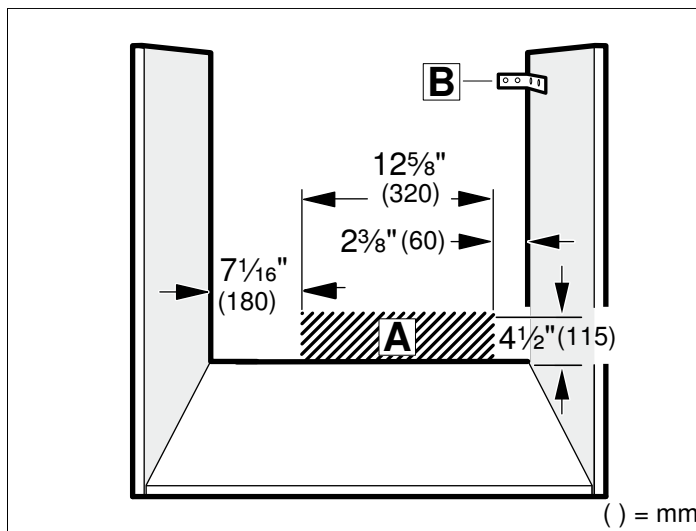
## Pièces comprises

Four encastré

## Exigences électriques

La prise doit être correctement reliée à la terre selon tous les codes applicables.

- La prise de raccordement de l'appareil doit se situer dans la zone de la surface hachurée **A** ou en dehors de l'espace d'encastrement.
- Les meubles non fixés doivent être fixés au mur au moyen d'une équerre **B** usuelle vendue en magasin.



## Préparation du meuble

- Seule une installation effectuée selon cette notice de montage garantit une utilisation en toute sécurité.
- Vérifier l'état de l'appareil après l'avoir déballé. Ne pas le raccorder s'il présente des avaries de transport.
- Respecter la notice de montage pour l'installation des accessoires.
- Avant la mise en service, retirer le matériau d'emballage et les films adhésifs du compartiment de cuisson et sur la porte.
- Les meubles d'encastrement doivent résister à une température jusqu'à 195 °F (90 °C), les façades de meubles adjacents jusqu'à 160 °F (70 °C).
- Ne pas installer l'appareil derrière une plaque décorative. Il existe un risque de surchauffe.
- Effectuer les travaux de découpe sur le meuble avant la mise en place de l'appareil. Retirer les copeaux, ils peuvent compromettre le bon fonctionnement des composants électriques.
- Porter des gants de protection pour éviter des coupures. Certaines pièces accessibles lors du montage peuvent posséder des arêtes coupantes.
- Les meubles non fixés doivent être fixés au mur au moyen d'une équerre usuelle vendue en magasin.
- Dimensions indiquées dans les illustrations en pouce (mm).

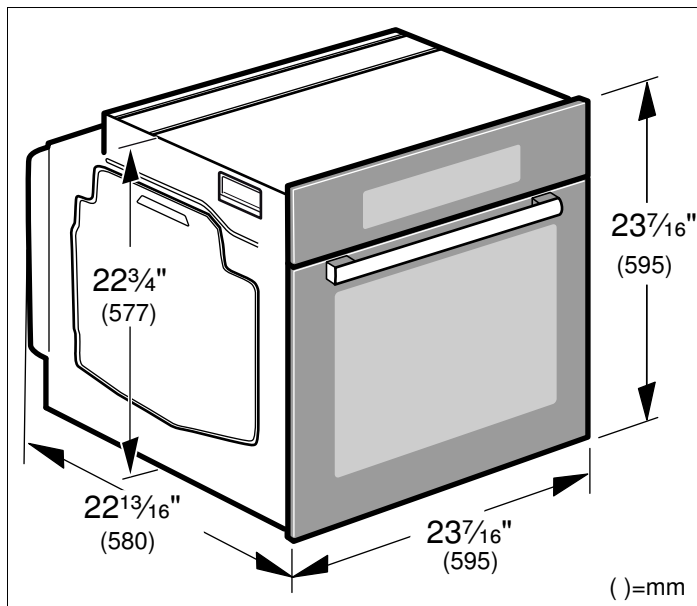
## Pour enlever l'emballage

**AVIS :** Pour éviter d'endommager le plancher, laissez l'unité dans la portion inférieure de l'emballage jusqu'au moment de le placer dans l'ouverture de l'armoire. Ne pas faire glisser l'unité sur le plancher.

1. Coupez les sangles sur l'extérieur de la boîte.
2. Retirez la boîte en carton.
3. Retirez tous les cartons et les supports en styromousse sur le dessus et les côtés.
4. Placez le four devant les caissons où il sera installé.

# Exigences en matière de dimensions et d'armoire

## Dimensions de l'appareil

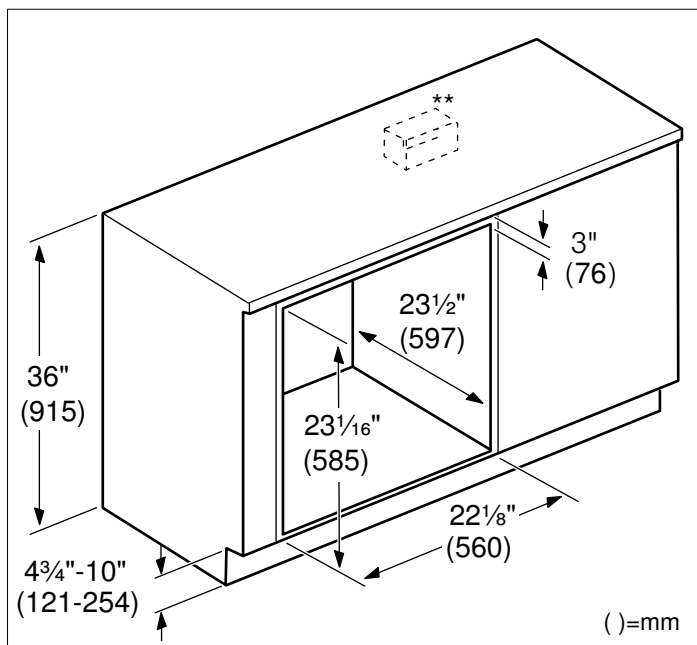


## Dimensions de la découpe des armoires

### Exigences générales concernant le meuble

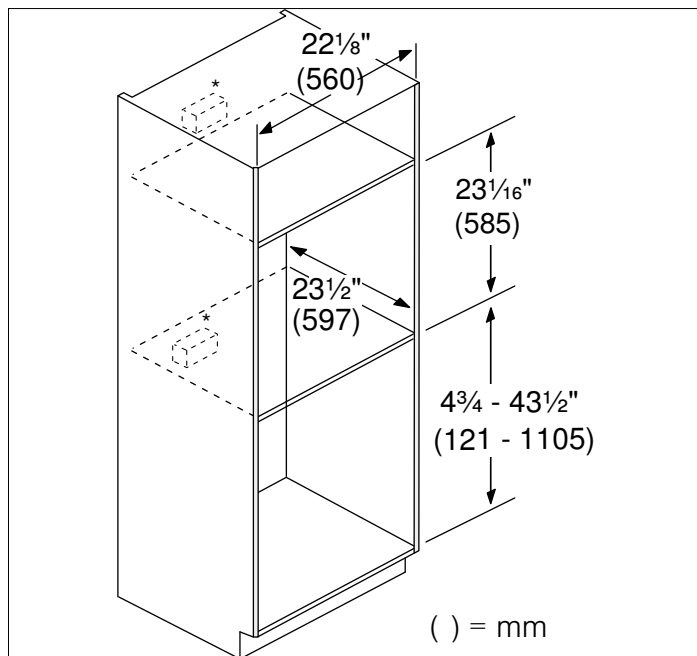
La base du caisson doit être plate et capable de soutenir un poids d'au moins 110 lb (50 kg).

### Unité sous le comptoir



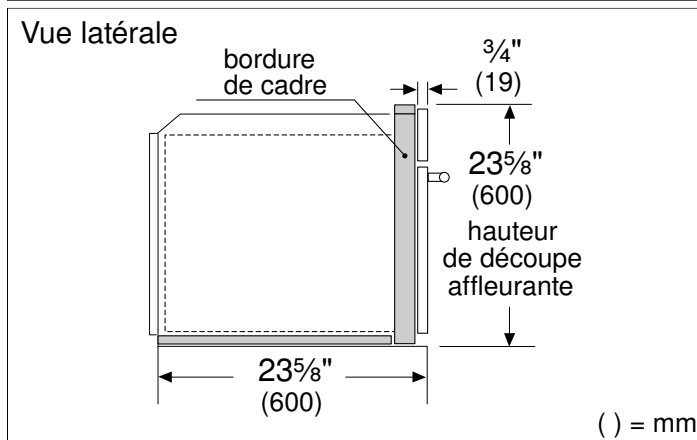
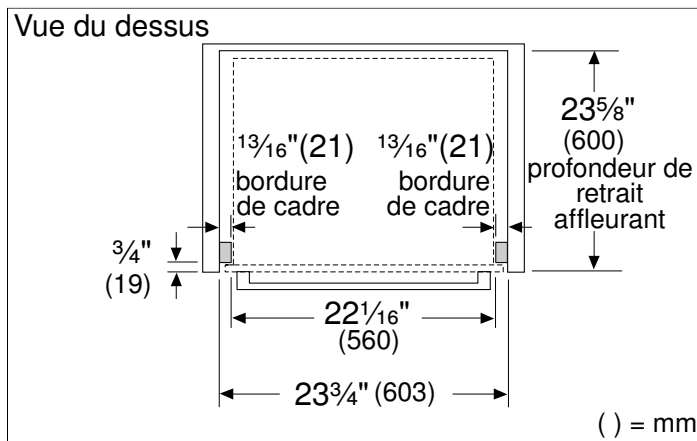
Fixer le plan de travail sur le meuble d'encastrement.  
 Pour l'installation avec la table de cuisson, reportez-vous au dessin d'installation de la table de cuisson.

## Unité murale



\* Pour les installations de mur, la boîte de jonction peut être située au-dessus ou au-dessous de l'unité à portée du câble d'alimentation.

## Installation affleurante



\* Plateforme requise pour soulever l'appareil du fond du caisson.

Dimensions recommandées :  $\frac{3}{16}$  po (5 mm) h x  $22\frac{1}{16}$ " (560 mm) l x  $22\frac{7}{8}$ " (581 mm) p.

## Installation de l'appareil

### Installation électrique

Ce modèle de four est à double intensité et conçu pour le branchement sur un réseau électrique monophasé à 4 fils de 208/240 V CA, 60 Hz.

Modèle	Circuit dédié requis
HBE5452UC	20 A

L'alimentation électrique doit être un courant alternatif monophasé à 4 fils. Installez une boîte de raccordement appropriée (non fournie). Un raccord de conduit listé UL de taille appropriée doit être utilisé pour fixer correctement le conduit à la boîte de jonction.

**AVIS :** Les codes locaux peuvent varier; l'installation, les branchements électriques et la mise à la terre doivent se conformer à tous les codes locaux applicables.

Si les codes locaux autorisent la mise à la terre au moyen d'un point neutre d'alimentation électrique, connectez à la fois le fil neutre blanc et le fil de terre dénudé du four au fil d'alimentation électrique neutre blanc.

### ⚠ ATTENTION

- Pour tous les travaux de montage, l'appareil doit être mis hors tension
- L'appareil doit uniquement être raccordé au moyen du câble de raccordement fourni.
- L'encastrement doit garantir la protection contre les contacts accidentels.

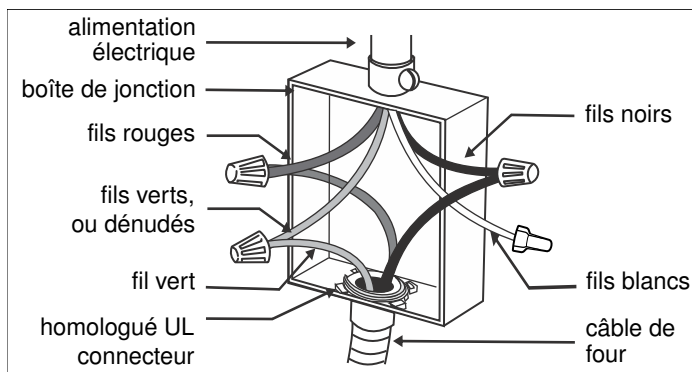


## Raccordement électrique

La connexion de circuit terminal à 4 fils est recommandée, mais là où les codes le permettent, la connexion à 3 fils est acceptable.

### Raccordement à quatre fils

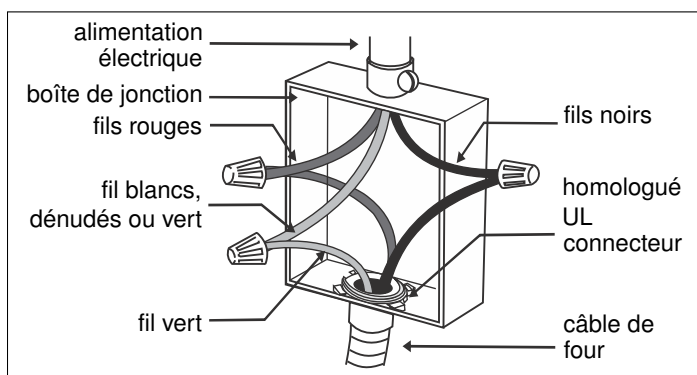
#### Neutre non mis à la terre



- Raccordez le fil rouge du four au fil d'alimentation électrique rouge (fil sous tension).
- Raccordez le fil noir du four au fil d'alimentation électrique noir (fil sous tension).
- Raccordez le fil de mise à la terre vert du four au fil de mise à la terre nu ou vert de l'alimentation électrique.

### Raccordement à trois fils

#### Neutre mis à la terre



- Raccordez le fil rouge du four au fil rouge dans la boîte de raccordement.
- Raccordez le fil noir du four au fil noir dans la boîte de raccordement.
- Branchez le fil vert de mise à la terre du four au fil blanc, vert ou dénudé mis à la terre dans la boîte de raccordement.

Le câble de raccordement, au niveau du four, pivote. Faites pivoter le câble de raccordement vers le haut (ou vers le bas) et faites passer celui-ci à travers le trou préparé dans l'armoire pour le fixer à la boîte de raccordement.

Pour faciliter l'entretien, le conduit flexible ne doit pas être raccourci et doit être acheminé de manière à faciliter le déplacement provisoire du four.

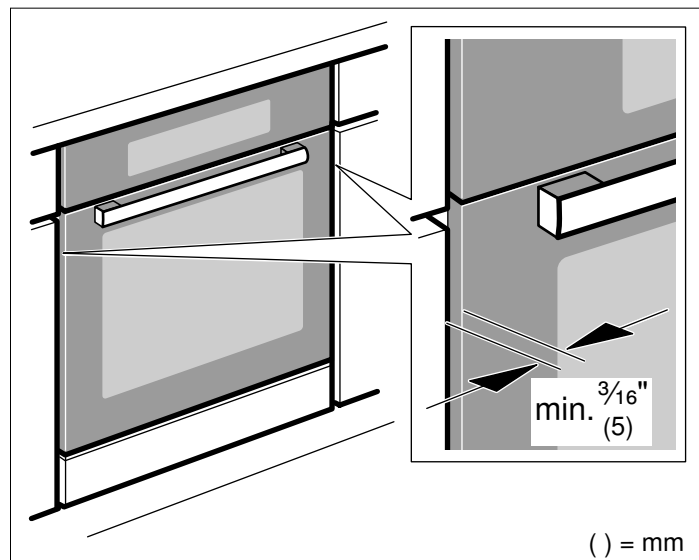
## Installation sur un caisson

**AVIS :** Avant d'installer l'appareil, prendre soin de vérifier la dimension du coffret et les raccordements électriques.

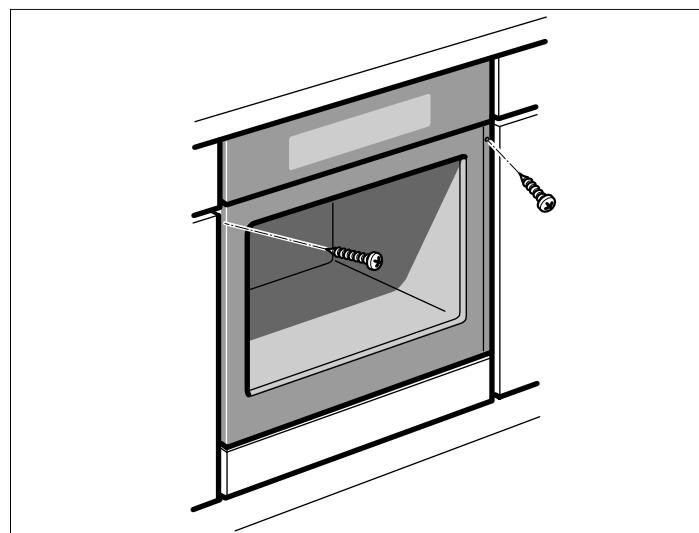
**Remarque :** L'appareil est lourd. Pour l'insérer dans la découpe, faite-vous aider par une autre personne.

1. Pousser l'appareil jusqu'au fond et le centrer.

**AVIS :** Ne pas plier les conduits et le câble de raccordement ni les mettre en contact avec des arêtes coupantes.



2. Fixer l'appareil au meuble d'encastrement au moyen de 2 vis.



L'écart entre le plan de travail et l'appareil ne peut pas être obturé par des bandes supplémentaires.

Aucune bande de protection thermique ne peut être appliquée sur les parois latérales du meuble d'encastrement.

## Vérification de l'installation

### ▲ AVERTISSEMENT

Avant tout raccordement de cordon électrique ou toute mise sous tension, assurez-vous que toutes les commandes sont en position OFF (d'arrêt).

Mettre le disjoncteur en circuit.  
Vérifier que les éléments fonctionnent correctement.

## Service après-vente

### Avant d'appeler le service de dépannage

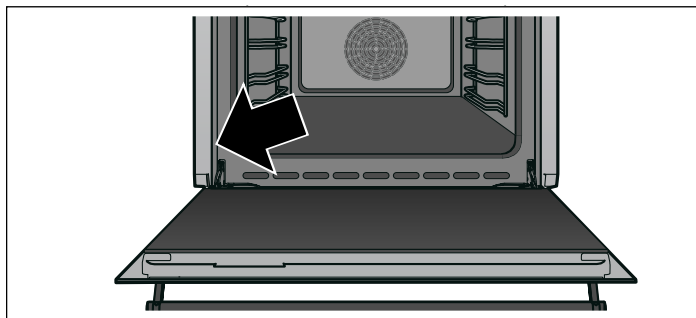
Pour des informations sur le dépannage, se reporter au Manuel d'utilisation et d'entretien. Consulter la "Énoncé de la Garantie Limitée" figurant dans le Manuel d'utilisation et d'entretien.

Pour contacter un technicien de dépannage, voir les coordonnées sur la couverture avant du manuel ou dans la section suivante. Lorsque vous téléphonez, soyez prêt à fournir les informations imprimées sur la plaque signalétique de votre produit.

### Plaque signalétique

La plaque signalétique affiche le modèle et le numéro de série. Consultez la plaque signalétique de l'appareil lorsque vous sollicitez une réparation.

La plaque signalétique se trouve sur la côté gauche de la cavité du four.



Pour éviter de devoir chercher chaque information lors de votre appel, vous pouvez inscrire les quatre éléments requis dans les espaces fournis ci-dessous.

---

**Numéro de modèle**

---

**Numéro FD**

---

**Date d'achat**

---

**Service après-vente** ☎

---

Conservez votre facture ou votre contrat aux fins de validation de garantie si jamais vous avez besoin d'une réparation.

### Service

Nous réalisons que vous avez effectué un investissement considérable dans votre cuisine. Nous nous engageons à offrir tout le support dont vous et votre appareil avez besoin afin que vous puissiez profiter pleinement de votre appareil.

Ne pas hésiter à contacter notre département de service à la clientèle si vous avez des questions ou dans le cas peu probable que votre appareil Bosch® ait besoin d'entretien. Notre équipe de service est prête à vous aider.

#### USA

800-944-2904

[www.bosch-home.com/us/support](http://www.bosch-home.com/us/support)

#### Canada

800-944-2904

[www.bosch-home.ca/en/support](http://www.bosch-home.ca/en/support)

### Pièces et accessoires

Les pièces, les filtres, les décalamineuses, les nettoyants en acier inoxydable et plus encore peuvent être achetés dans le magasin en ligne Bosch ou par téléphone.

#### USA

[www.bosch-home.com/us/store](http://www.bosch-home.com/us/store)

#### Canada

Marcone 800-482-6022

ou

Reliable Parts 800-941-9217

# Índice

<b>Definiciones de seguridad</b> .....	<b>19</b>	<b>Dimensiones y requisitos del gabinete</b> .....	<b>23</b>
<b>INSTRUCCIONES DE SEGURIDAD IMPORTANTES</b> .	<b>20</b>	Dimensiones del electrodoméstico .....	23
Seguridad de manejo del electrodoméstico .....	20	Dimensiones del hueco para el gabinete .....	23
Códigos y normas de seguridad .....	20	<b>Montaje del electrodoméstico</b> .....	<b>24</b>
Seguridad eléctrica .....	20	Instalación eléctrica .....	24
Seguridad de los equipos relacionados .....	21	Unidad empotrada en gabinete .....	25
Advertencia en virtud de la Proposición 65 del estado de California: .....	21	Pruebe la instalación .....	26
Transporte .....	21	<b>Servicio de Atención al Cliente</b> .....	<b>26</b>
<b>Antes de empezar</b> .....	<b>22</b>	Antes de llamar al servicio .....	26
Herramientas y piezas necesarias .....	22	Placa de características .....	26
Piezas incluidas .....	22	Servicio técnico .....	26
Requisitos de electricidad .....	22	Piezas y accesorios .....	26
Preparación de los muebles .....	22		
<b>Quitar el embalaje</b> .....	<b>22</b>		

Este electrodoméstico de Bosch es hecho por  
BSH Home Appliances Corporation  
1901 Main Street, Suite 600  
Irvine, CA 92614

¿Preguntas?  
1-800-944-2904  
[www.bosch-home.com/us](http://www.bosch-home.com/us)

¡Esperamos oír de usted!

## Definiciones de seguridad

### ▲ ADVERTENCIA

Esto indica que pueden producirse heridas graves o incluso la muerte si no se cumple con esta advertencia.

### ▲ ATENCION

Esto indica que pueden producirse heridas leves o moderadas si no se cumple con esta advertencia.

**AVISO:** Esto indica que pueden producirse daños en el aparato o en los bienes si no se cumple con este aviso.

**Nota:** Esto alerta sobre información o sugerencias importantes.

# INSTRUCCIONES DE SEGURIDAD IMPORTANTES

## LEA Y CONSERVE ESTAS INSTRUCCIONES

---

### ADVERTENCIA

---

Su nuevo electrodoméstico ha sido diseñado para ser seguro y confiable si recibe el cuidado adecuado. Lea atentamente todas las instrucciones antes de usarlo. Estas precauciones reducirán el riesgo de quemaduras, descarga eléctrica, incendio y lesiones a personas. Al utilizar electrodomésticos de cocina, se deben tomar precauciones de seguridad básicas, incluidas las que se encuentran en las páginas siguientes.

---

---

### ADVERTENCIA

---

Si no sigue la información de este manual exactamente, se puede ocasionar un incendio o una descarga eléctrica que puede causar daños materiales o lesiones personales.

---

---

### ADVERTENCIA

---

No reparar, sustituir ni quitar ninguna pieza del electrodoméstico a menos que se recomiende de forma específica en los manuales. Una instalación, servicio o mantenimiento inadecuados pueden causar lesiones o daños materiales. Consultar este manual para recibir ayuda. Todos los demás servicios debe realizarlos un agente autorizado.

---

Este aparato está previsto para ser utilizado a una altura máxima de 2000 metros sobre el nivel del mar.

### Seguridad de manejo del electrodoméstico

La unidad es pesada y se requieren al menos dos personas o un equipo adecuado para trasladarla. No levante el electrodoméstico tomándolo del asa de la puerta. Las superficies ocultas pueden tener bordes filosos. Proceda con cuidado al intentar tomar el electrodoméstico por la parte trasera o desde abajo.

### Códigos y normas de seguridad

Este electrodoméstico cumple con la última versión de una o varias de las siguientes normas:

- CAN/CSA C22.2 No. 61 - Estufas de uso doméstico (Household Cooking Ranges)
- UL 858 - Estufas eléctricas de uso doméstico (Household Electric Ranges)
- CAN/CSA C22.2 N.º 150 - Hornos de microondas (Microwave Ovens)
- UL 923 - Electrodomésticos de cocción por microondas (Microwave Cooking Appliances)
- CSA C22.2 N.º 64 - Electrodomésticos para cocinar y para calentar líquidos de uso doméstico (Household Cooking and Liquid-Heating Appliances)
- UL 1026 - Electrodomésticos para cocinar y para servir alimentos eléctricos de uso doméstico (Electric Household Cooking and Food Serving Appliances)

Es responsabilidad del propietario y del instalador determinar si se aplican otros requisitos o normas en instalaciones específicas.

### Seguridad eléctrica

---

#### ADVERTENCIA

---

Antes de enchufar un cable eléctrico o activar el suministro eléctrico, asegurarse de que todos los controles están en la posición OFF.

---

Si el Código Nacional Eléctrico (o el Código Eléctrico Canadiense) así lo requiere, este electrodoméstico debe instalarse en un circuito derivado por separado.

El instalador debe mostrar al propietario la ubicación del disyuntor o el fusible. Márquela para recordarla más fácilmente.

**INSTALADOR: DEJE ESTAS INSTRUCCIONES CON EL ELECTRODOMÉSTICO CUANDO HAYA FINALIZADO LA INSTALACIÓN.**

**IMPORTANTE: CONSERVE ESTAS INSTRUCCIONES PARA USO DEL INSPECTOR DE ELECTRICIDAD LOCAL.**

Antes de realizar la instalación, apague la alimentación eléctrica en el panel de servicio. Trabe el panel de servicio para impedir que se encienda accidentalmente la alimentación eléctrica.

Para obtener más información, consulte la placa de datos. Para conocer la ubicación de la placa de datos, consulte la sección "Placa de datos" debajo de "Servicio técnico".

Asegúrese de que el electrodoméstico sea correctamente instalado y conectado a tierra por un técnico calificado. La instalación, las conexiones eléctricas y la conexión a tierra deben cumplir con todos los códigos correspondientes.

# ⚠ INSTRUCCIONES DE SEGURIDAD IMPORTANTES

## LEA Y CONSERVE ESTAS INSTRUCCIONES

### Seguridad de los equipos relacionados

Retire toda la cinta y el embalaje antes de usar el electrodoméstico. Destruya el embalaje después de desembalar el electrodoméstico. Nunca deje que los niños jueguen con el material de embalaje.

Nunca modifique ni altere la construcción del electrodoméstico. Por ejemplo, no retire las patas niveladoras, paneles, cubiertas para cables ni soportes/tornillos antivuelco.

Antes de encender el electrodoméstico, retire cualquier material de embalaje o lámina adhesiva del compartimento de cocción y de la puerta.

### Advertencia en virtud de la Proposición 65 del estado de California:

---

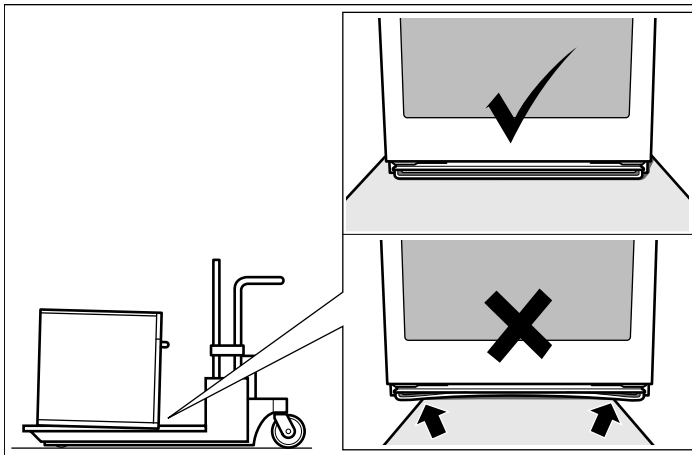
#### ADVERTENCIA

Este producto puede exponerlo a sustancias químicas, incluyendo cloruro de vinilo, que el estado de California sabe que provocan cáncer, defectos congénitos u otro daño reproductivo. Para obtener más información, ir a la página web: [www.P65Warnings.ca.gov](http://www.P65Warnings.ca.gov).

---

### Transporte

Para evitar el daño a la abertura del horno, utiliza el método del transporte mostrado en el dibujo abajo.



# Antes de empezar

## Herramientas y piezas necesarias

- Destornillador con cabeza Phillips
- Taladro y broca de taladro de 1/8 pulg.
- Cinta métrica

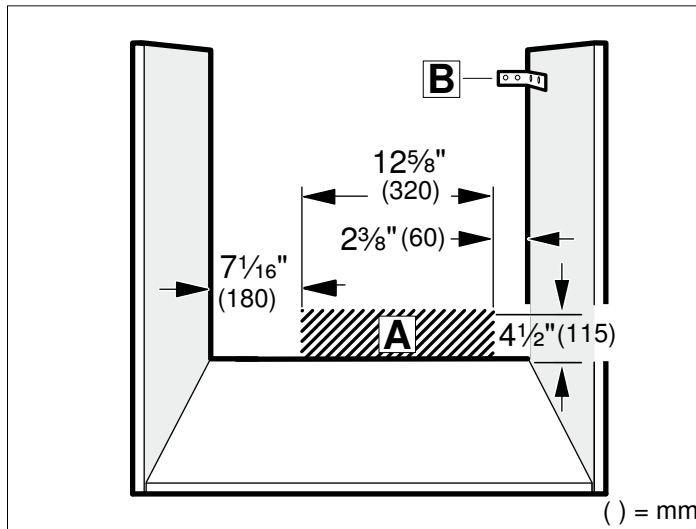
## Piezas incluidas

Horno empotrado

## Requisitos de electricidad

La toma de corriente debe tener la conexión a tierra adecuada de conformidad con todos los códigos correspondientes.

- La toma de corriente del electrodoméstico debe quedar dentro de la zona de la superficie sombreada **A** o fuera del espacio de instalación.
- Fijar a la pared los muebles que no estén fijados con una escuadra estándar **B**.



## Preparación de los muebles

- Solo una instalación profesional siguiendo estas instrucciones de instalación garantiza un uso seguro.
- Comprobar el electrodoméstico al sacarlo de su embalaje. El electrodoméstico no debe conectarse en caso de haber sufrido daños durante el transporte.
- Seguir las instrucciones para la instalación de los accesorios.
- Antes de poner en funcionamiento el electrodoméstico, retirar el material de embalaje y el film protector de la puerta y el del interior del electrodoméstico.
- Los muebles para la instalación deben poder resistir una temperatura de hasta 195° F (90 °C), y la parte frontal de los muebles adyacentes, hasta 160° F (70 °C).
- No instalar el aparato detrás de un panel decorativo. Existe riesgo de sobrecalentamiento.
- Llevar a cabo los trabajos de recorte en el mueble antes de colocar el electrodoméstico. Retirar las virutas; de lo contrario, podrían afectar el funcionamiento de los componentes eléctricos.
- Usar guantes protectores para evitar cortadas. Las piezas que estén en contacto durante la instalación pueden tener los bordes afilados.
- Fijar a la pared los muebles que no estén fijados, mediante una escuadra estándar.
- Las medidas de las figuras se indican en pulgadas (mm).

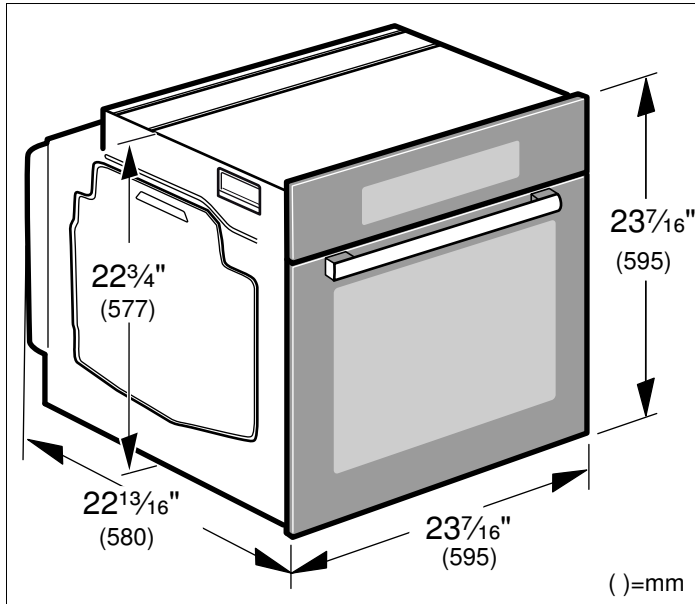
# Quitar el embalaje

**AVISO:** Para evitar que se dañe su piso, mantenga la unidad en su base de embalaje hasta que esté lista para ser colocada en la abertura del gabinete. No arrastre la unidad por el piso.

1. Cortar las correas del exterior de la caja.
2. Sacar la caja de cartón.
3. Retirar todo el cartón de la parte superior y lateral, así como los soportes de poliestireno.
4. Colocar el horno delante de los armarios donde se va a instalar.

# Dimensiones y requisitos del gabinete

## Dimensiones del electrodoméstico

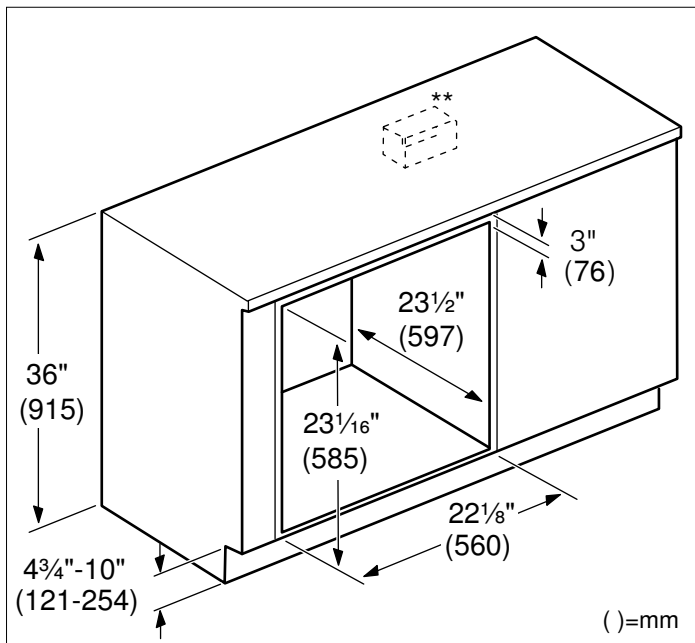


## Dimensiones del hueco para el gabinete

### Requisitos generales del gabinete

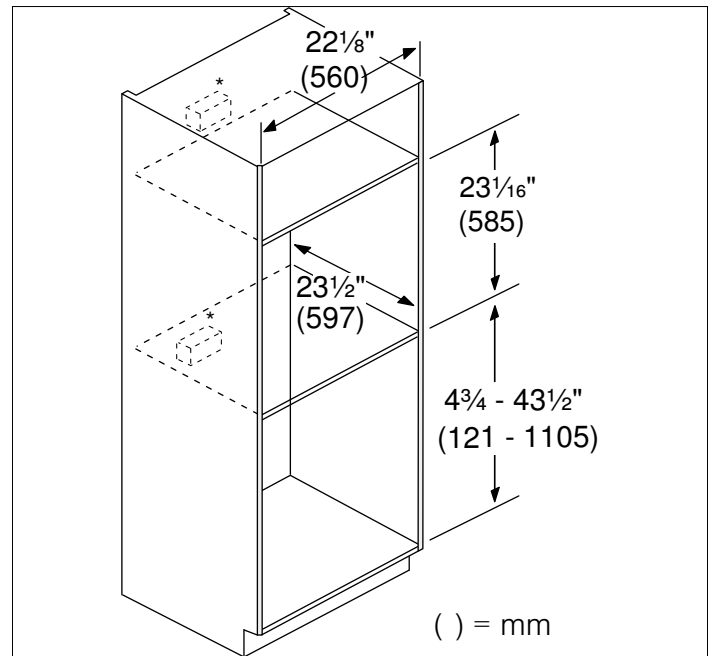
La base del armario debe ser plana y capaz de soportar un peso de al menos 110 libras (50 kg).

### Unidad instalada bajo cubierta



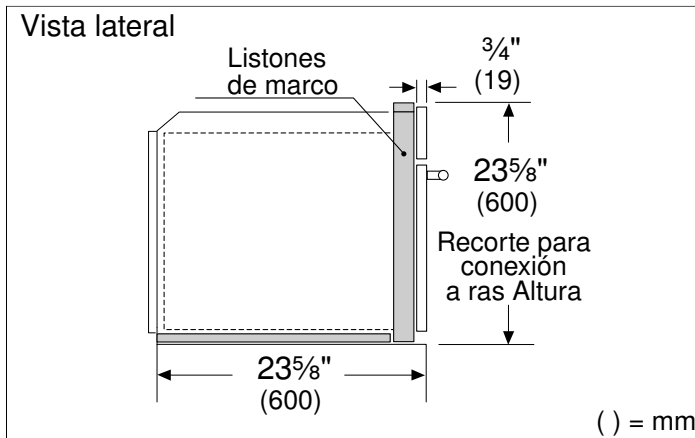
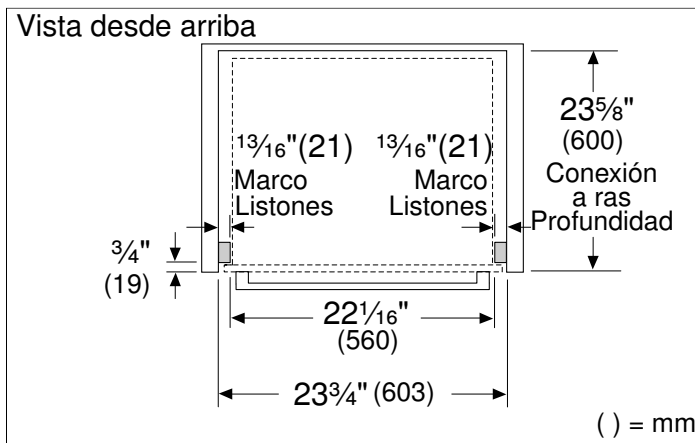
Fijar la cubierta sobre el mueble empotrado.  
Para la instalación con una placa de cocción, consulte el dibujo de la instalación de la placa de cocción.

## Unidad montada en la pared



\* Para instalaciones en la pared, la caja de conexiones puede ubicarse por encima o por debajo de la unidad al alcance del cable de alimentación.

## Instalación a ras



\* Se necesita una plataforma para elevar la unidad desde la base del armario.  
 $\frac{3}{16}$ " (5 mm) x  $22\frac{1}{16}$ " (560 mm) x  $22\frac{7}{8}$ " (581 mm)  
 (ancho x profundidad x altura).

## Montaje del electrodoméstico

### Instalación eléctrica

El horno cuenta con la clasificación dual y ha sido diseñado para conectarse a 208/240V CA, 60 Hz, a una red de alimentación monofásica de 4 cables.

Modelo	Circuito específico requerido
HBE5452UC	20 A

El suministro eléctrico debe ser de corriente alterna monofásica, de 4 cables. Instalar una caja de conductos adecuada (no viene incluida). Debe utilizarse un conector de conductos de tamaño adecuado, incluido en el listado de UL, para unir correctamente el conducto a la caja de conexiones.

**AVISO:** Las normas locales pueden variar. La instalación, las conexiones eléctricas y la conexión a tierra deben cumplir con todas las normas locales vigentes.

Si las normas locales permiten efectuar la conexión a tierra a través de una red de suministro eléctrico neutral, conectar el cable blanco neutral y la toma de tierra desde el horno hasta el cable blanco neutral de la red de suministro.

### ⚠ ATENCION

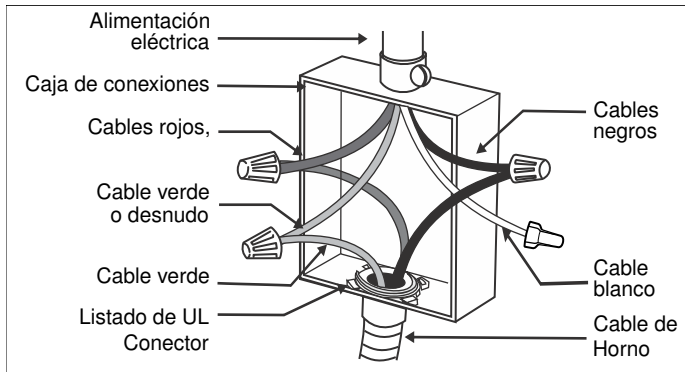
- El aparato debe estar sin tensión para poder realizar los trabajos de montaje
- El aparato solo puede conectarse con el cable de conexión suministrado.
- La protección contra contacto accidental debe garantizarse mediante el montaje.



## Conexión eléctrica

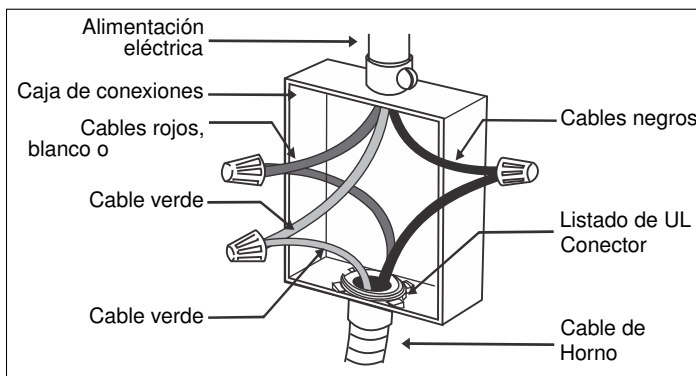
La conexión del circuito con cuatro hilos es preferible pero donde los códigos locales lo permiten, se acepta también una conexión con tres hilos.

### Conexión de cuatro cables Neutro sin conexión a tierra



- Conectar el cable rojo del horno al cable rojo del suministro eléctrico (cable con corriente).
- Conectar el cable negro del horno al cable negro del suministro eléctrico (cable con corriente).
- Conectar el cable de conexión a tierra verde del horno al cable de conexión a tierra desnudo o verde del suministro eléctrico.

### Conexión de tres cables Neutro con conexión a tierra



- Conectar el cable rojo del horno al cable rojo en la caja de conexiones.
- Conectar el cable negro del horno al cable negro en la caja de conexiones.
- Conectar el cable de conexión a tierra verde del horno al cable neutro desnudo, blanco o verde en la caja de conexiones.

El cable del conduit, donde está conectado en el horno, gira. Girar el cable del conduit hacia arriba (o hacia abajo) y dirigirlo a través del orificio preparado en el gabinete para fijarlo en la caja de conexiones.

Para mantener la capacidad de servicio, el conduit flexible no se debe acortar y se debe extender para permitir la retirada temporal del horno.

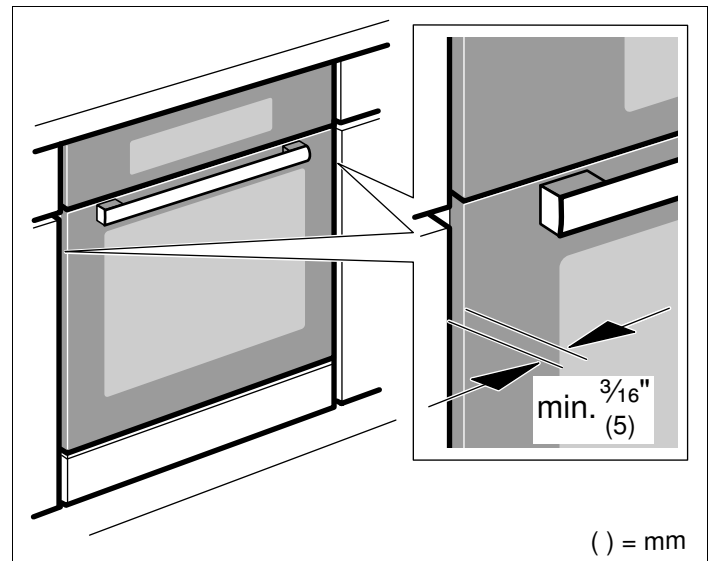
## Unidad empotrada en gabinete

**AVISO:** Antes de instalar el aparato, asegúrese de verificar las dimensiones del gabinete y las conexiones eléctricas.

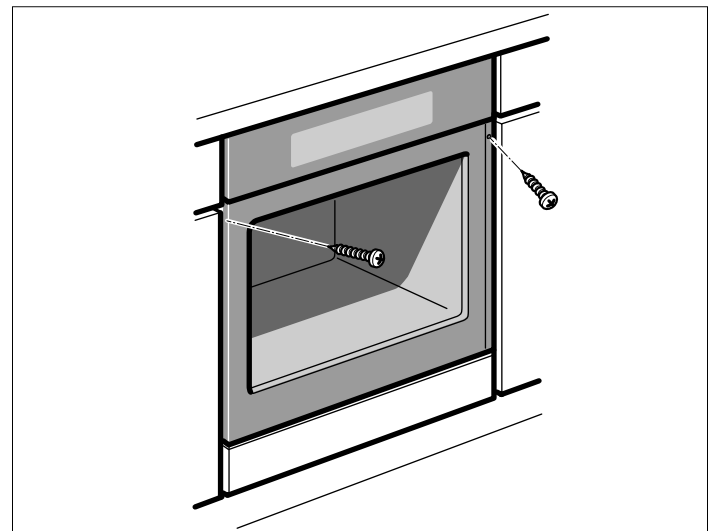
**Nota:** El aparato pesa demasiado. Se aconseja dos personas para insertarlo.

1. Introducir el electrodoméstico por completo y centrarlo.

**AVISO:** No doblar las líneas ni los cables de conexión. Tampoco deben entrar en contacto con bordes afilados.



2. Fijar el aparato al mueble donde se instaló con 2 tornillos.



El espacio entre la cubierta y el electrodoméstico no debe obstruirse con tiras suplementarias.

En las paredes laterales del armario desmontable no se deben colocar tiras térmicas.

## Pruebe la instalación

### ▲ ADVERTENCIA

Antes de enchufar un cable eléctrico o activar el suministro eléctrico, asegurarse de que todos los controles están en la posición OFF.

Encienda el disyuntor.

Verifique que los elementos funcionen correctamente.

## Servicio de Atención al Cliente

### Antes de llamar al servicio

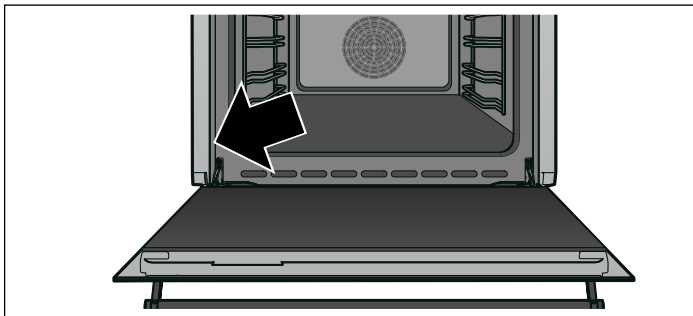
Para obtener información sobre resolución de problemas, consulte el Manual de uso y cuidado. Consulte la "Declaración de Garantía Limitada del Producto" en el Manual de uso y cuidado.

Para consultar a un representante de servicio técnico, remítase a la información de contacto que aparece en el frente del manual o en la siguiente sección. Cuando llame, tenga a la mano la información impresa en la placa de datos de su producto.

### Placa de características

La placa de características incluye información sobre el modelo y el número de serie del aparato. Si se solicita información al Servicio de Asistencia Técnica, deberá facilitarse la información indicada en la placa.

La placa de características se encuentra en la parte izquierda del interior del horno.



Para no perder tiempo buscando los distintos datos solicitados durante la llamada, estos pueden introducirse previamente en los espacios libres abajo.

---

**N.º de producto**

---

**N.º de fabricación**

---

**Fecha de compra**

---

**Servicio de Atención al Cliente** ☎

---

Conservar la factura o los documentos de compra que confirmen la validación de la garantía, en caso de que el aparato necesite ser reparado.

### Servicio técnico

Sabemos que usted ha realizado una inversión considerable en su cocina. Nos dedicamos a brindar asistencia a usted y a su aparato de manera que tenga muchos años de cocina creativa.

No dude en comunicarse con nuestro Departamento de Atención al Cliente si tiene alguna pregunta o en el caso poco probable de que su aparato Bosch® necesite servicio técnico. Nuestro equipo de servicio técnico está listo para asistirlo.

#### EUA

800-944-2904

[www.bosch-home.com/us/support](http://www.bosch-home.com/us/support)

#### Canadá

800-944-2904

[www.bosch-home.ca/en/support](http://www.bosch-home.ca/en/support)

### Piezas y accesorios

Puede comprar piezas, filtros, productos para eliminar el sarro, limpiadores para acero inoxidable y más artículos en la tienda electrónica de Bosch® o por teléfono.

#### EUA

[www.bosch-home.com/us/store](http://www.bosch-home.com/us/store)

#### Canadá

Marcone 800-482-6022

o

Reliable Parts 800-941-9217





**9001252511**

970726



**BOSCH**

Invented for life

1901 Main Street, Suite 600 • Irvine, CA 92614 • 800-944-2904  
[www.bosch-home.com](http://www.bosch-home.com) • © 2017 BSH Home Appliances