

K 2902 SF

MasterCool™ refrigerator

For high-end design and technology on a large scale.



EAN: 4002516321910 / material number: 11502840

- Push2open for convenient door-opening assistance
- Food stays fresh for up to 3 x longer thanks to SmartFresh
- Light floods the interior thanks to LED elements – BrilliantLight
- Communication with the machine could not be easier – WiFi Conn@ct
- Convenient control thanks to color touch display MasterSensor

| | |
|--|----------------------------|
| Appliance category | |
| Fridge | • |
| Construction type | |
| Built-in | • |
| Built-in integrated | • |
| Door hinge side | right |
| Convertible hinging | • |
| Can be installed side-by-side | • |
| Design | |
| Front color | Stainless steel/CleanSteel |
| Lighting | BrilliantLight |
| Control panel | |
| Freshness system | MasterFresh |
| ComfortClean | • |
| DynaCool | • |
| SoftClose door closing damper | • |
| SelfClose | • |
| Push2open | • |
| FullAccess | • |
| EasyClean | • |
| MaxLoad hinge | • |
| Control | |
| Electronic temperature display and control | MasterSensor |
| Super Cooling | • |
| No. of temperature zones | 2 |
| Sabbath mode | • |
| Fridge / Fridge compartment | |
| Height-adjustable toughened glass shelves | 2 |
| No. of removable fruit and vegetable drawers | 1 |
| No. of PerfectFresh drawers | 2 |
| SlidingShelf | • |
| Door rack for tins | 1 |
| Inner door racks for bottles | 3 |
| Efficiency and sustainability | |
| Energy Star Qualified | • |
| Appliance networking | |
| Miele@home | • |
| WiFiConn@ct | • |
| MobileControl | • |
| Safety | |
| Lock function | • |
| Overflow protection | • |
| Acoustic door alarm | • |
| Acoustic temperature alarm, freezer section | • |
| Optical door alarm | • |
| Optical temperature alarm | • |

More information at www.MieleUSA.com

For further information please see next page...

K 2902 SF

MasterCool™ refrigerator

For high-end design and technology on a large scale.

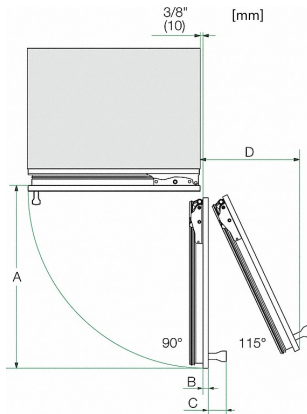


| Technical data | |
|---|----------------|
| Appliance width in in.(mm) | 35 3/4 (908) |
| Appliance height in in.(mm) | 83 3/4 (2,127) |
| Appliance depth in in.(mm) | 24 1/8 (610) |
| Weight in lbs.(kg) | 457 (207.00) |
| Fridge compartment volume in l | 582 |
| Current consumption in milliampere (mA) | 4,000 |
| Voltage in V | 120 |
| Fuse rating in A | 10 |
| Wire length in ft (m) | 9 (3.0) |
| Standard accessories | |
| Active AirClean filter | • |

K 2902 SF

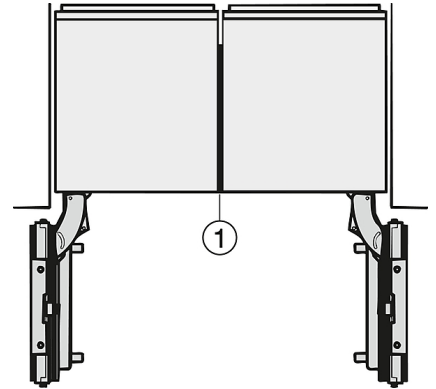
MasterCool™ refrigerator

For high-end design and technology on a large scale.



Opening angle 90°/115°, right side stop, MasterCool (Sketch) *footnote

- A) Appliance door width
- F 2461 Vi: 525 mm (20 2/3 inch);
- F 2462 Vi: 525 mm (20 2/3 inch);
- K 2601 Vi, K 2601 SF, F 2661 Vi, KWT 2601 Vi, KWT 2601 SF, KWT 2661 ViS, KWT 2661 SFS: 677 mm (26 2/3 inch);
- K 2602 Vi, K 2602 SF, F 2662 Vi, KWT 2602 Vi, KWT 2602 SF, KWT 2662 ViS, KWT 2662 SFS: 677 mm (26 2/3 inch);
- K 2801 Vi, K 2801 SF, F 2801 Vi, KF 2801 Vi, KF 2801 SF: 829 mm (32 2/3 inch);
- K 2802 Vi, K 2802 SF, F 2802 Vi, KF 2802 Vi, KF 2802 SF: 829 mm (32 2/3 inch);
- K 2901 Vi, K 2901 SF, F 2901 Vi, KF 2901 Vi, KF 2901 SF: 982 mm (38 2/3 inch);
- K 2902 Vi, K 2902 SF, F 2902 Vi, KF 2902 Vi, KF 2902 SF: 982 mm (38 2/3 inch);
- B) Furniture front (max. 38 mm) (1 1/2 inch)
- C) Door handle
- D) Distance door to wall (without furniture front and door handle):
- F 2461 Vi: 237 mm (9 1/3 inch);
- F 2462 Vi: 237 mm (9 1/3 inch);
- K 2601 Vi, K 2601 SF, F 2661 Vi, KWT 2601 Vi, KWT 2601 SF, KWT 2661 ViS, KWT 2661 SFS: 296 mm (11 2/3 inch);
- K 2602 Vi, K 2602 SF, F 2662 Vi, KWT 2602 Vi, KWT 2602 SF, KWT 2662 ViS, KWT 2662 SFS: 296 mm (11 2/3 inch);
- K 2801 Vi, K 2801 SF, F 2801 Vi, KF 2801 Vi, KF 2801 SF: 363 mm (14 1/3 inch);
- K 2802 Vi, K 2802 SF, F 2802 Vi, KF 2802 Vi, KF 2802 SF: 363 mm (14 1/3 inch)
- K 2901 Vi, K 2901 SF, F 2901 Vi, KF 2901 Vi, KF 2901 SF: 428 mm (16 7/8 inch)
- K 2902 Vi, K 2902 SF, F 2902 Vi, KF 2902 Vi, KF 2902 SF: 428 mm (16 7/8 inch)
- E) ONLY valid for SF versions: A + 25 mm (1 inch)



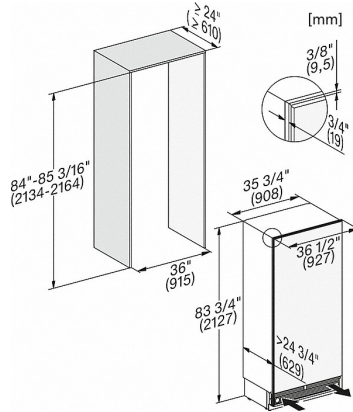
Side-by-side, MasterCool, without partition wall, with heating mat (Sketch) (with footnote)

- 1) Heating mat KSK 2001 (EU, AUS, CN) or KSK 2002 (US, CA, MX, BR)

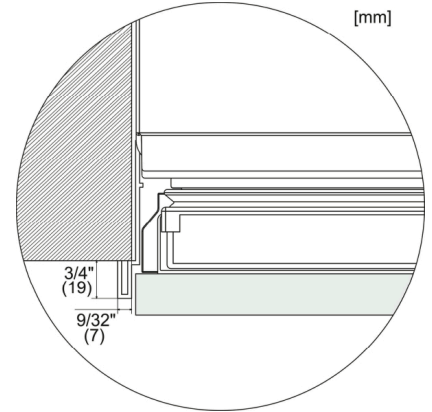
K 2902 SF

MasterCool™ refrigerator

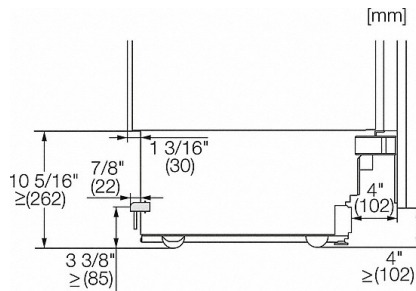
For high-end design and technology on a large scale.



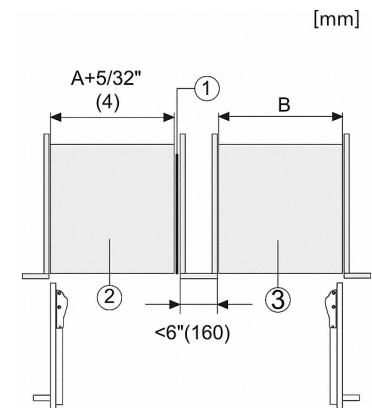
K2902SF, K2912SF, F2912SF, K2901SF, K2911SF, F2911SF, K2901 SF, K2911 SF, F2911 SF, inner space, MasterCool (US, CA)



MasterCool, top view, doorway, installation drawings



Sideview, MasterCool, Sketch



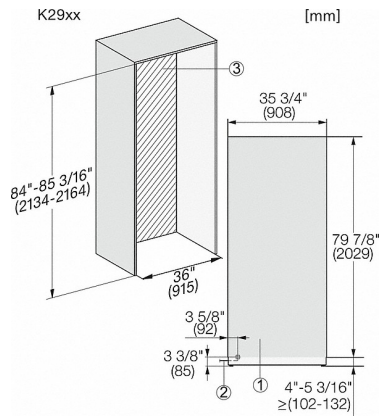
Side-by-Side, MasterCool, footnote, installation drawings

1. KSK 2001/2002
 2. Device A
 3. Device B
- A = niche device A
B = niche device B

K 2902 SF

MasterCool™ refrigerator

For high-end design and technology on a large scale.



K2902Vi, K2902SF, K2912Vi, K2912SF, installation, MasterCool, *footnote, installation drawings

1. View from the front
2. Mains connection cable, L = 3000 mm (118 inch)
3. No water/ELT connections permitted in this area