

30" Monolith Refrigerator



◀30"▶

MRB 3000	
Energy consumption (kWh/y)	305
Estimated Yearly Energy Cost in US \$	37*
Sound rating dB(A)	40**
Refrigerator capacity cu.ft. (l)	15.0 (426)
BioFresh/BioFresh-Plus comp. cu.ft. (l)	6.5 (185)
Number of shelves	4
Number of door racks	3
Number of BioFresh drawers/BioFresh-Plus drawers	2/1
Electronic control	InfinitySwipe
Refrigerator temperature range °F (°C)	+34 °F to +45 °F (+1 °C to +7 °C)
Defrost type	automatic
Interior light	InfinityLight
Internal Water Dispenser	InfinitySpring
Water filter	yes
Door hinges	right, reversible***
Product dimensions	
in inch H/W/D	83 3/4" / 29 11/16" / 24"
in cm H/W/D	212.6 / 75.4 / 61
Cut out dimensions	
in inch H/W/D	84" / 30" / 24"
in cm H/W/D	213.4 / 76.2 / 61
Net weight lbs. (kg)	363.8 (165.0)
Voltage V/Hz	115/60

* Estimated energy cost will depend on utility rates and use. Estimated energy cost based on a national average electricity cost of 12 cents per kWh.

** Noise output – according to EN 60704-3.

*** Please contact your Liebherr Authorized Dealer for door reversal.

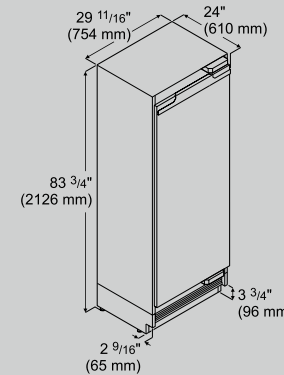


Available Accessories

- Stainless Steel door panel
- Monolith brushed aluminum square handle
- Monolith Stainless Steel round handle
- Monolith brushed aluminum soft-edge handle

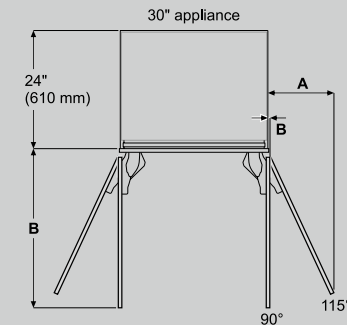
See pages 26-27 for available accessories.

Product Dimensions



IMPORTANT!
Stated minimum height dimensions include when the leveled feet are fully inserted.

Height can be increased by a maximum of 1" (26 mm) by turning the adjustable feet. When the appliance is fitted in the recess, the appliance must be raised by turning the adjustable feet so that the appliance top has contact with the anti-tipping bracket. This results in a 4" (102 mm) Toe Kick height.



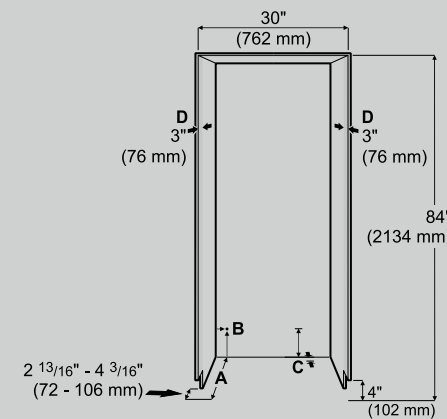
Inset
A = 10 3/4" (273 mm)
B = 1/2" (12.5 mm)
C = 25 7/8" (658 mm)

Frameless
A = 13 1/2" (343 mm)
B = 1/2" (12.5 mm)
C = 32 3/8" (822 mm)

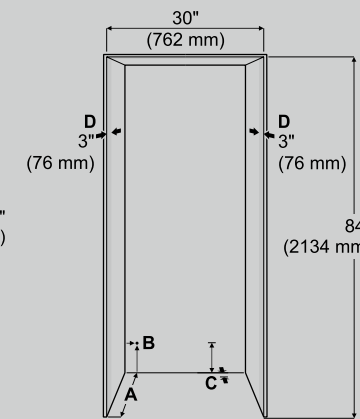
Dimension A = without mounted door handle

Cut out Dimensions

Continuous Toe Kick



Individual Toe Kick



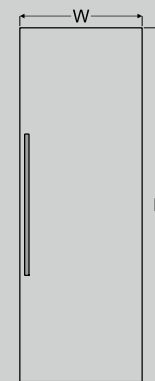
A
Cabinet depth frameless installation style = 24" (610 mm)
Cabinet depth inset installation style = 24" (610 mm) plus panel thickness

B
This is the point where the power cord exits from the appliance rear. 3/4" (19 mm) from the left and 5" (127 mm) from the floor. Free length of the power cord is 98" (2.5 m).

C
The appliance has a recess in this area for cable and waterline laying. 1" (25 mm) in depth and 5 1/2" (140 mm) in height over the whole width of the appliance.

D
This surface is visible when the appliance door is open. Designed finish is required.

Door Panel Dimensions



30" recess

Inset installation style

H = 79 7/8" (2029 mm)
W = 29 3/4" (756 mm)

Frameless installation style

H = 80" (2032 mm) Add overlapping dimension to the panel on the top.
W = 30" (762 mm) Add overlapping dimension to the panel on both sides.

Maximum panel weight = 79 lbs. (36 kg)