

24" Compact Washer

800 Series – WAW285H2UC



BOSCH

Invented for life



WAW285H2UC
White

The 800 series laundry pair is ENERGY STAR® qualified and offers matching quality, water protection, design and fast wash and dry cycles.

Features & Benefits

The Bosch 800 Series Washer with Home Connect can be operated from anywhere.

AquaStop® Plus provides extra protection against water damage.

Customized stain options treat organic oils, blood, red wine and grass.

SpeedPerfect™ provides up to 40% faster washing time.*

Wash up to 18 towels in one load.

*As compared to Perm Press Heavy Soil cycle without SpeedPerfect™



General Properties	
Drum material	Stainless Steel
Maximum spin speed (rpm)	1,400
Interior Light	Yes (LED)
Leak protection systems	AquaStop® Plus (AquaStop® Base + Aquashield® Hose)
Internal water heater	Yes
Stackable	Yes
Silence level – washing (dBA)	50
Silence level – spinning (dBA)	71
Programs (No.), [Special]	(14), [Super Quick 15, Whitest Whites]
Options (No.), [Special]	(6), [SpeedPerfect™, PreWash]
Energy consumption (kWh/yr)	84
Water consumption (gal/yr)	2,320
ENERGY STAR® qualified	Yes
Capacity	
Capacity (cu. ft.)	2.2
Relative load	18 bath towels
Design Elements	
Door ring	Chrome
Control type	Touch
Dial	Illuminated jog dial
Bosch logo on door glass	Yes



Technical Details	
Watts (W)	2,520
Circuit breaker if plugged into an individual circuit (A)	20
Volts (V)	208/220-240
Current (A)	10.5
Frequency (Hz)	60
Plug type	240V; NEMA 6-15 (3 prong)
Power cord included	Yes
Power cord length (in)	69 (Full Length)
Drain hose length (in)	57 (Full Length)
Inlet hose length (in)	59 (Full Length)
Door hinge	Left Side (Not Reversible)

Dimensions & Weight	
Overall appliance dimensions (HxWxD)(in)	33 1/4" x 23 1/2" x 25"
Net weight (lbs)	160
Minimum stack height (in)	67 3/4"

ADA compliance
 – Meets ADA height and access requirements *when installed on pedestal.*
 – Meets ADA operable parts requirements for controls and detergent dispenser.

Accessories—Optional	
Short Stainless Steel Hose (If needed for plumbing box clearance with AQS hose)	P/N 645787



WMZ20490
Pedestal

For help and assistance with Bosch accessories please visit: www.bosch-eshop.com/eshop/bosch/us or call 1-800-944-2904 Mon-Fri 5am to 6pm PST Sat 6am to 3pm PST

Notes: All height, width and depth dimensions are shown in inches. BSH reserves the absolute and unrestricted right to change product materials and specifications, at any time, without notice. Consult the product's installation instructions for final dimensional data and other details prior to making cutout. Applicable product warranty can be found in accompanying product literature or you may contact your account manager for further details.

Warranties: Bosch warrants that the Product is free from defects in materials and workmanship for a period of three hundred and sixty-five (365) days from the date of purchase. The foregoing timeline begins to run upon the date of purchase, and shall not be stalled, tolled, extended, or suspended, for any reason whatsoever. This Product is also warranted to be free from cosmetic defects in material and workmanship (such as scratches of stainless steel, paint/porcelain blemishes, chip, dents, or other damage) to the finish of the Product, for a period of thirty (30) days from the date of purchase or closing date for new construction. This cosmetic warranty excludes slight color variations due to inherent differences in painted and porcelain parts, as well as differences caused by kitchen lighting, product location, or other similar factors. This cosmetic warranty specifically excludes any display, floor, "As Is", or "B" stock appliances.

For more information on our entire line of products, go to www.bosch-home.com/us or call 1-800-944-2904

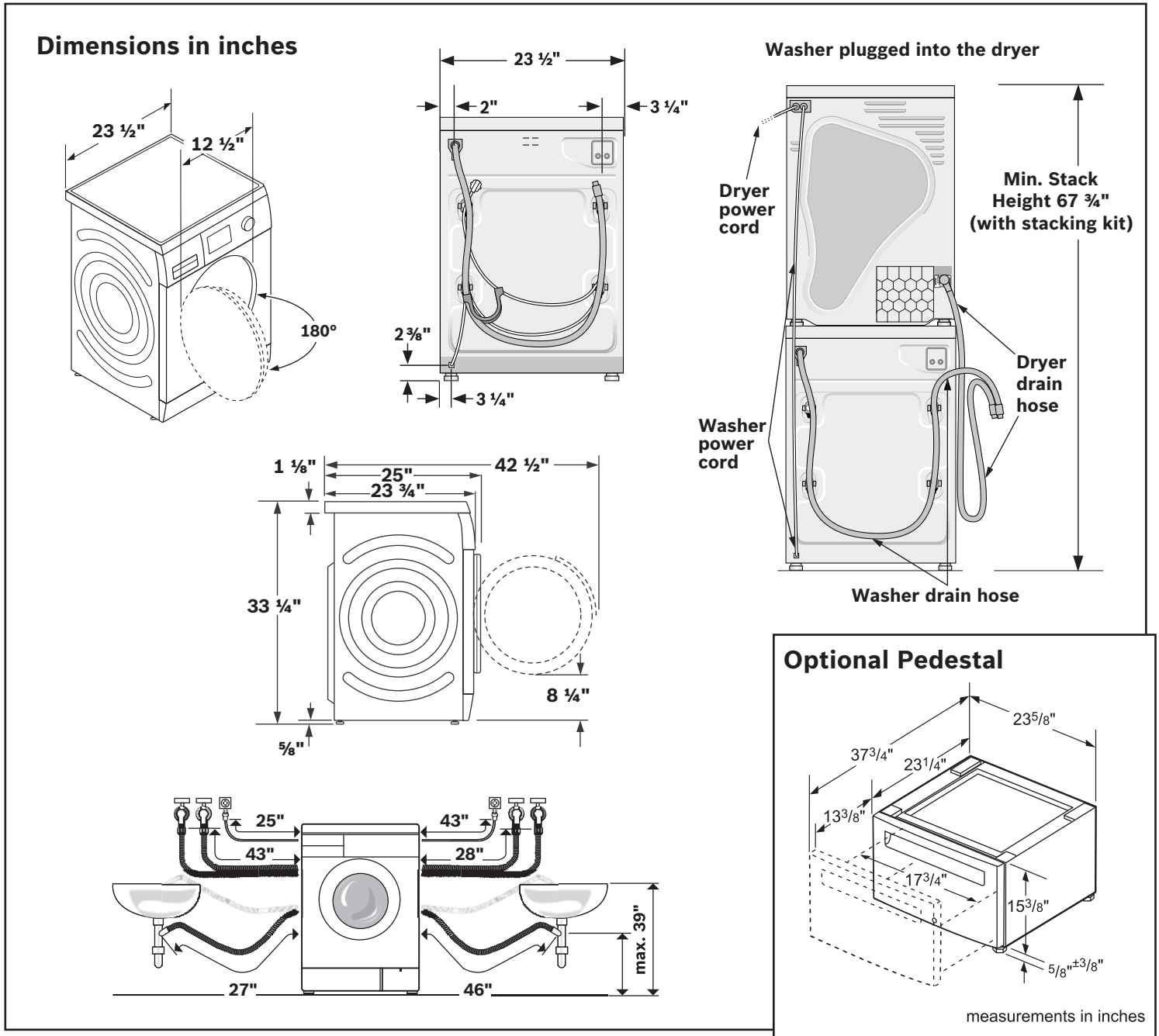
© BSH Home Appliances Corporation. All rights reserved. Bosch is a registered trademark of Robert Bosch GmbH.

24" Compact Washer

800 Series – WAW285H2UC



Installation Details



For help and assistance with Bosch accessories please visit: www.bosch-eshop.com/eshop/bosch/us or call 1-800-944-2904 Mon-Fri 5am to 6pm PST Sat 6am to 3pm PST

Notes: All height, width and depth dimensions are shown in inches. BSH reserves the absolute and unrestricted right to change product materials and specifications, at any time, without notice. Consult the product's installation instructions for final dimensional data and other details prior to making cutout. Applicable product warranty can be found in accompanying product literature or you may contact your account manager for further details.

Warranties: Bosch warrants that the Product is free from defects in materials and workmanship for a period of three hundred and sixty-five (365) days from the date of purchase. The foregoing timeline begins to run upon the date of purchase, and shall not be stalled, tolled, extended, or suspended, for any reason whatsoever. This Product is also warranted to be free from cosmetic defects in material and workmanship (such as scratches of stainless steel, paint/porcelain blemishes, chip, dents, or other damage) to the finish of the Product, for a period of thirty (30) days from the date of purchase or closing date for new construction. This cosmetic warranty excludes slight color variations due to inherent differences in painted and porcelain parts, as well as differences caused by kitchen lighting, product location, or other similar factors. This cosmetic warranty specifically excludes any display, floor, "As Is", or "B" stock appliances.

For more information on our entire line of products, go to www.bosch-home.com/us or call 1-800-944-2904

© BSH Home Appliances Corporation. All rights reserved. Bosch is a registered trademark of Robert Bosch GmbH.

24" Compact Washer

800 Series – WAW285H2UC

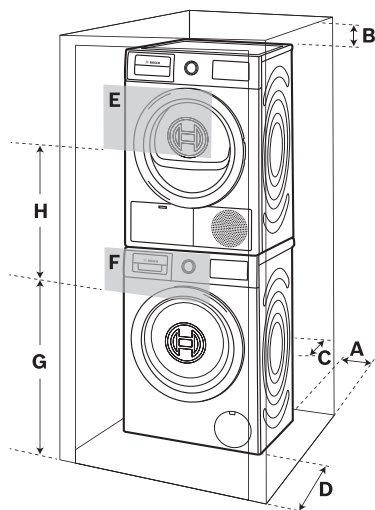


BOSCH
Invented for life

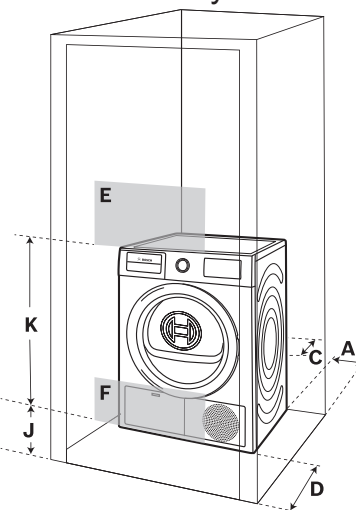


Installation Details

Closet: Stacked



Closet: Stand Alone (shown) or Side by Side



Clearance requirements (Minimum)

A Both Sides	5/8 in.
B Top	6 1/4 in.
C Rear	2 1/2 in.
D Front	2 1/2 in.

Ventilation Area (Minimum)

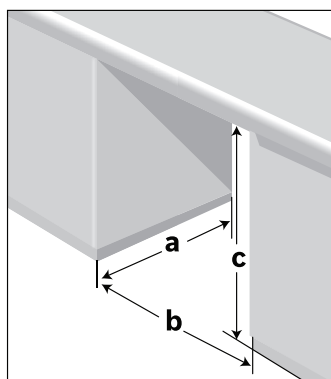
E Top	63 sq. in.
F Bottom	63 sq. in.

Vent Spacing

G	37 in.
H	26 in.
J	3 in.
K	29 in.

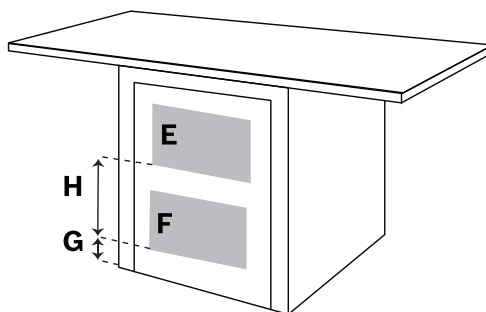
Enclosure Dimensions

Under Counter: (Preferred)



Front of the appliance fully open. No doors or coverings.

Under Counter: (Less Preferred)



If the front of the appliance is covered, ventilation openings must be installed as shown and front/rear clearances adhered to according to closet installations.

Minimum opening dimensions

a	28 in.
b	23 7/8 in.
c	34 1/2 in.

E & F are minimum area sizes

E	63 sq. in.
F	63 sq. in.

G & H actual spacing dimensions for min. open area sizes

G	3 in.
H	14 in.

For help and assistance with Bosch accessories please visit: www.bosch-eshop.com/eshop/bosch/us or call 1-800-944-2904 Mon-Fri 5am to 6pm PST Sat 6am to 3pm PST

Notes: All height, width and depth dimensions are shown in inches. BSH reserves the absolute and unrestricted right to change product materials and specifications, at any time, without notice. Consult the product's installation instructions for final dimensional data and other details prior to making cutout. Applicable product warranty can be found in accompanying product literature or you may contact your account manager for further details.

Warranties: Bosch warrants that the Product is free from defects in materials and workmanship for a period of three hundred and sixty-five (365) days from the date of purchase. The foregoing timeline begins to run upon the date of purchase, and shall not be stalled, tolled, extended, or suspended, for any reason whatsoever. This Product is also warranted to be free from cosmetic defects in material and workmanship (such as scratches of stainless steel, paint/porcelain blemishes, chip, dents, or other damage) to the finish of the Product, for a period of thirty (30) days from the date of purchase or closing date for new construction. This cosmetic warranty excludes slight color variations due to inherent differences in painted and porcelain parts, as well as differences caused by kitchen lighting, product location, or other similar factors. This cosmetic warranty specifically excludes any display, floor, "As Is", or "B" stock appliances.

For more information on our entire line of products, go to www.bosch-home.com/us or call 1-800-944-2904

© BSH Home Appliances Corporation. All rights reserved. Bosch is a registered trademark of Robert Bosch GmbH.