



WC45 Series

The WC45's glass and stainless steel intersect, joining together to form a beautiful union into your kitchen.

- Powered by the exclusive iQ Blower System™ 800 MAX blower CFM with GPS Technology for the quietest, most energy efficient and fastest smoke and odor removal available in a range hood. Ultra-quiet 0.3 sones at normal setting.
- 4-speed electronic soft-touch controls with a 10 minute delay off feature keeps hood running after cooking to ensure smoke and odors have cleared the environment, and the filter clean reminder helps ensure optimal performance.
- Integrated LED modules provide even lighting over the cooktop.
- Quick release, dishwasher-safe mesh grease filters ensure clean, fresh kitchen.
- CRT Technology for Code Ready™ Technology (CRT) provides ability to reduce airflow to 300 or 400 CFM to address local codes or make-up air requirements.
- Optional recirculation kit for non-ducted capability.



best®

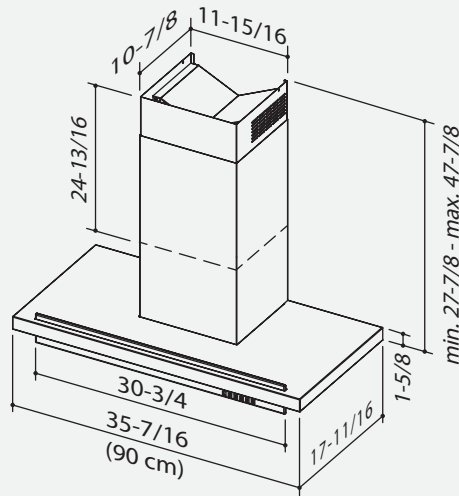
PERFORMANCE THAT INSPIRES

At **BEST**, we make high performance range hoods that perform beautifully. Astonishingly quiet. Impressively effective. Remarkably efficient. And perfectly suited for the most distinguished kitchens.

Whether it's the centerpiece of the room or letting its surroundings shine, **BEST** is where high-end performance inspires.

Installation height above the cooking surface: 24"-30"

Telescopic flue for 8'-9' ceiling is standard.
Optional flue extensions for 10'-11' ceiling.
Upper flue can be reversed to hide louvers in some applications depending on installation heights.



If needed, ask a recommended installer to limit discharge to 300 or 400 CFM.

HVI PERFORMANCE

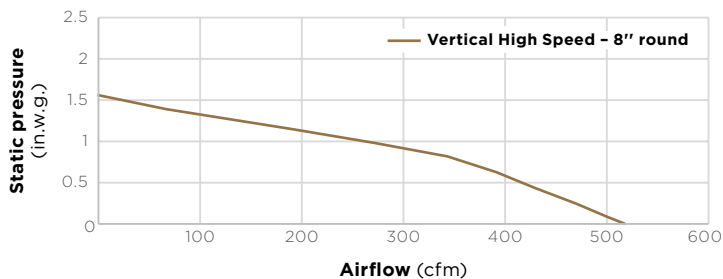
INTERNAL BLOWER - WC45IQ

SONES				
Normal <0.3	Medium* 1.6	High* 4.7	Boost 8.5	

CFM				
Normal 110	Medium* 225	High* 360	Boost 0.25 in. w.g. 465	Boost 0.1 in. w.g. 500

* Where noted performance rating is not HVI certified but was established in accordance with HVI Standardized test procedure.

AIRFLOW PERFORMANCE



HVI-2100 CERTIFIED RATINGS comply with new testing technologies and procedures prescribed by the Home Ventilating Institute, for off-the-shelf products, as they are available to consumers. Product performance is rated at .01 in. static pressure, based on tests conducted in AMCA's state-of-the-art test laboratory. Sones are a measure of humanly-perceived loudness, based on laboratory measurements.

HOOD SIZES*

Internal Blower, Single - Depth 17-11/16"

36" WC45IQ90SB

External (blower sold separately) - Depth 17-11/16"

36" WC45E90SB

* For exact dimensions, please refer to the technical drawing of each model.

FEATURES

Finish	Brushed Stainless Steel (Grade 430)
Lighting Type	LED 6W
Number of Lamps	2
Lighting Levels	1
Lighting Lamps Included	Yes
Control Type	4-speed Electronic "IR" Infrared
Control Features	Heat Sentry™, Delay Off, Filter Clean Reminder
Remote Control	Optional ACR3
Filter Type	Stainless Steel with Mesh Grease
Non-ducted Capability	Yes

HOOD BLOWER INCLUDED WC45IQ

Internal	iQ6
Max Blower CFM*	800

HOOD BLOWER OPTIONS (blowers sold separately)

Refer to external blower's specification sheets for HVI performance (sones and CFM).

External In-line	ILB3	ILB6	ILB9	ILB11
Max Blower CFM*	300	675	900	1500

External Exterior	EB6	EB9	EB12	EB15
Max Blower CFM*	665	890	1300	1650

ACCESSORIES

10'-11' Flue Extension	AEWC345IQSBN
Non-Duct Kit	ANKWC345
Non-Duct Filter	AFCWC345
Universal MUA Damper	MD6TU, MD8TU, MD10TU (Requires Fresh Air Inlet)
Fresh Air Inlet	641FA, 643FA, 610FA

INSTALLATION REQUIREMENTS

Amps @ 120V: Internal Blower	4.0
Amps @ 120V: External Blower	7.0 Max
Electrical Connection	Plug In
Duct Size: Internal Blower	8"
Duct Size: External Blower	8"
Duct Direction	Vertical
Backdraft Damper	Included

*MAX Blower CFM indicates the performance of the hood blower in open air.

99045177C 10/21



BESTRANGEHOODS.COM
USA 800-558-1711

BESTRANGEHOODS.CA
CANADA 800-567-3855

