

DVG45T6000V

SAMSUNG

Samsung 7.5 cu. ft. Front Load Gas Dryer with Sensor Dry



Signature Features

Sensor Dry

- Helps prevent overdrying for optimal fabric care.

7.5 cu. ft. Large Capacity

- Fewer loads, less time in the laundry room, and more time doing the things you love.

10 Preset Drying Cycles

- More cycles to cover almost every drying need for your active family.

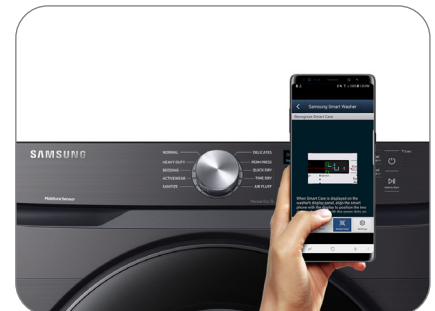
Available Color



Brushed Black



Sensor Dry



Smart Care

Features

- Sensor Dry
- 7.5 cu. ft. Large Capacity
- Smart Care¹
- Interior Drum Light
- Reversible Door
- 10 Preset Drying Cycles
- 9 Additional Drying Options
- 5 Temperature Levels
- 3-Way Venting
- LED Display: Ice Blue

Convenience

- Child Lock
- Lint Filter Indicator



ADA Compliant²

Electrical Requirements

- 120V / 60Hz
- 15 Amps

¹Requires Samsung Smart Washer/Dryer App. The Samsung Smart Washer/Dryer App supports Android OS 2.3.6 or later and iOS 3 or later for iPhone models. Samsung Smart Washer/Dryer App available in App Store and Play Store.

²ADA Compliant when using 27" wide riser (Riser model codes: WE272NV, WE272NW, WE272NC).

DVG45T6000V

SAMSUNG

Samsung 7.5 cu. ft. Front Load Gas Dryer with Sensor Dry

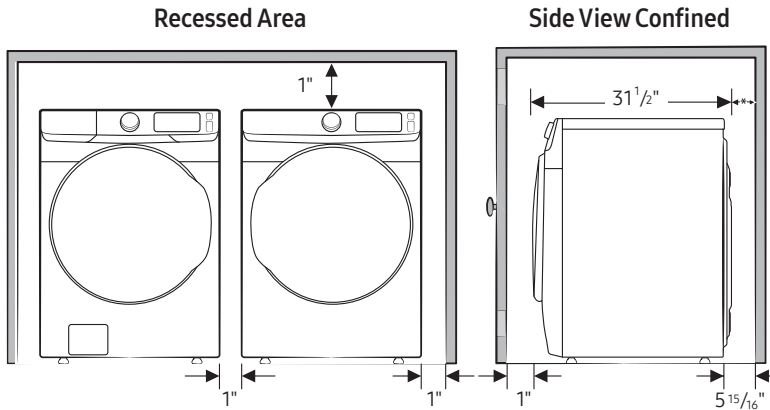
Installation Specifications

If the washer and dryer are installed together or the dryer alone, the closet front must have two unobstructed air openings for a combined minimum total area of 72-inch² (see stacked build below). Your washer alone does not require a specific air opening.

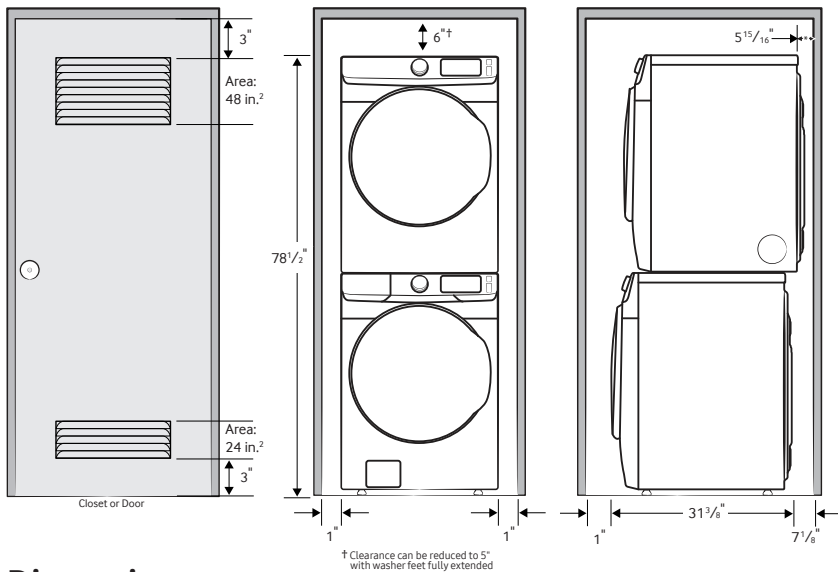
*Required spacing (External exhaust elbow may require additional space).

1. Alcove or closet installation

Minimum Clearance for Closet and Alcove Installations:

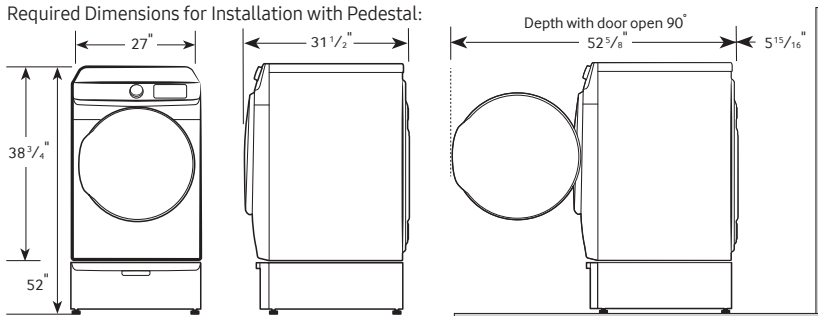


2. With stacked washer and dryer



Dimensions

Required Dimensions for Installation with Pedestal:



3-Way Venting

10 Preset Drying Cycles:

Normal, Heavy Duty, Permanent Press, Activewear, Bedding, Delicates, Sanitize, Time Dry, Air Fluff, Quick Dry

9 Additional Drying Options:

Mixed Load Bell, Wrinkle Prevent, Adjust Time (Up), Adjust Time (Down), Eco Dry, Child Lock, Smart Care, Sound, Drum Light

5 Temperature Levels:

High, Medium High, Medium, Medium Low, Low

5 Dry Levels:

Very Dry, More Dry, Normal Dry, Less Dry, Damp Dry

Warranty

One (1) Year Parts and Labor

Product Dimensions & Weight (WxHxD)

Dimensions: 27" x 38 3/4" x 31 1/2"

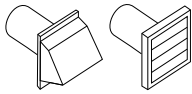
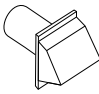
Weight: 123 lbs

Shipping Dimensions & Weight (WxHxD)

Dimensions: 29 3/8" x 42 9/16" x 33 1/2"

Weight: 130 lbs

	Model #	UPC Code
Gas	DVG45T6000V	887276439426
Electric	DVE45T6000V	887276439419
Matching Washer	WF45T6000AV	887276436548
Pedestal	WE402NV	887276310145
Riser	WE272NV	887276197630
Accessories		
Stacking Kit	SKK-8K	887276344034
Vent Kit	DV-2A	887276146416

	Recommended	Use only for short-run installation
Weather hood type	 4"	 2.5"
Number of 90° elbows	Rigid	Rigid
0	80 ft.	74 ft.
1	68 ft.	62 ft.
2	57 ft.	51 ft.
3	47 ft.	41 ft.

Actual color may vary. Design, specifications, and color availability are subject to change without notice. Non-metric weights and measurements are approximate.

©2021 Samsung Electronics America, Inc. 85 Challenger Road, Ridgefield Park, NJ 07660. Tel: 800-SAMSUNG. samsung.com. Samsung is a registered trademark of Samsung Electronics Co. Ltd.