

# AK4807LP

## 48" Culinary Series Professional Gas Range

- Versatile German designed tower burners (high power or low simmer)
- Large 7.2-cu. ft. capacity convection oven with blue porcelain interior
- Durable, high-grade LED illuminated knobs
- Heavy-duty continuous grates and griddle
- Equipped with adjustable, full-extension glide racks



Continuous Grates maximize cooking surface



Premium LED lit metal knobs

### Oven Properties and Features

|                                       |   |
|---------------------------------------|---|
| Oven Capacity                         | 2.7-cu. ft. (small)/4.5-cu. ft. (large) |
| Cooking Modes (Large)                 | Bake, Convection, Broil                 |
| Cooking Modes (Small)                 | Bake                                    |
| Cleaning Type                         | Manual                                  |
| Oven Burner                           | U-Shape                                 |
| Bake Power                            | 22,000 BTU                              |
| Broiler Power                         | 16,500 BTU Infrared                     |
| Adjustable Full Extension Glide Racks | 2                                       |
| Interior Material                     | Blue Porcelain                          |
| Convection                            | True European                           |

### Cooktop Properties and Features

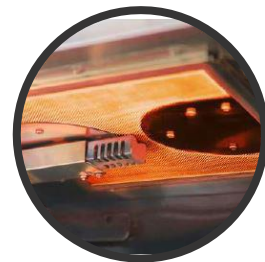
|                                |                       |
|--------------------------------|-----------------------|
| Cooking Grates                 | Cast Iron, Continuous |
| Total Number of Sealed Burners | 6 Dual Power          |
| Drip Pan                       | Black Porcelain       |
| Knobs                          | Stainless Steel, LED  |
| Front Left Burner Power        | 18,000 BTU/650 BTU    |
| Front Center Burner Power      | 9,000 BTU/650 BTU     |
| Front Right Burner Power       | 18,000 BTU/650 BTU    |
| Rear Left Burner Power         | 9,000 BTU/650 BTU     |
| Rear Center Burner Power       | 18,000 BTU/650 BTU    |
| Rear Right Burner Power        | 9,000 BTU/650 BTU     |
| Griddle Burner Power           | 18,000 BTU            |

### Additional Information

|                       |                               |
|-----------------------|-------------------------------|
| Warranty              | 2 Year, Parts & Labor         |
| Included Accessories  | Broiler Pan                   |
| Available Accessories | Additional Racks/Broiler Pans |



Large Capacity Oven with Blue Interior



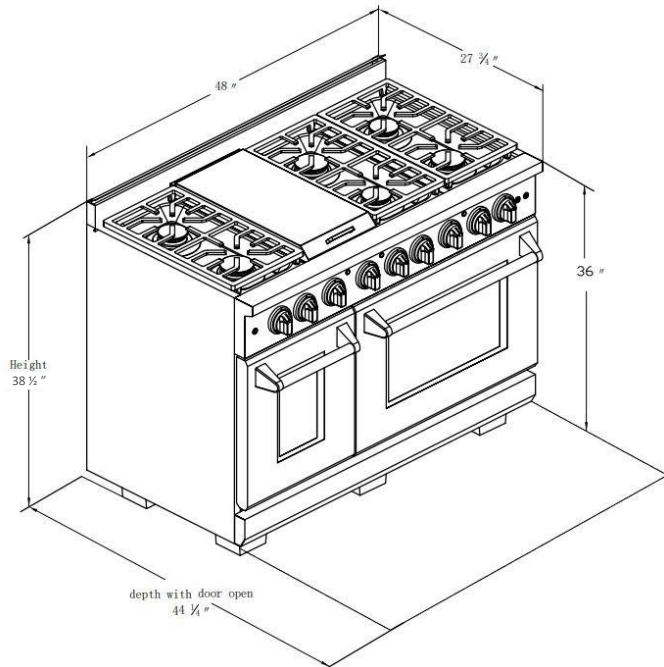
High Power Infrared Broiler



Ultra Low Simmer and High Power Dual Burners

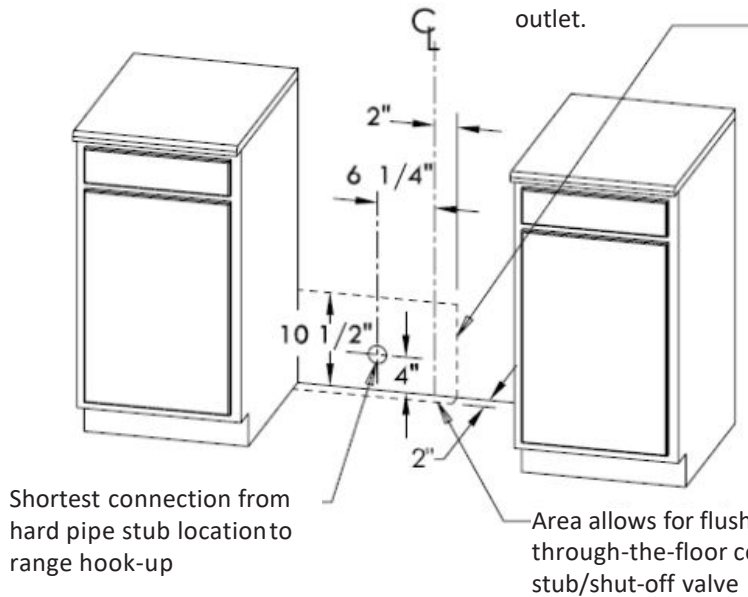
\*LP BTU may be slightly different

## Overall Dimensions



| Technical Details       |                            |
|-------------------------|----------------------------|
| Overall Dimensions      | 28" D x 48" W x 39" H      |
| Adjustable Range Height | 7/8"                       |
| Net Weight              | 529 lbs.                   |
| Backguard Height        | 2.5"                       |
| Amps/Volts/Freq         | 20A/120V/60Hz              |
| Plug Type/Cord Length   | 3 Prong/72"                |
| Gas Type                | Liquid Propane (27.5 mbar) |

## Hook Up Requirements



## Hood Install Guides

