

30" Gas Built-in Cooktop

BCTG30500SS



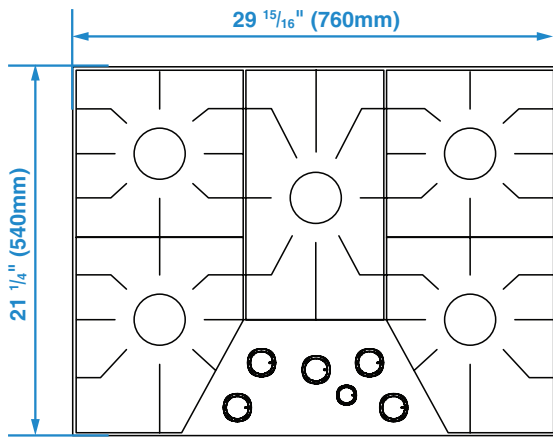
KEY FEATURES

- Five Gas Burners
- Reignition Controlled Burners
- Cast Iron Pan Support
- Sealed Burners

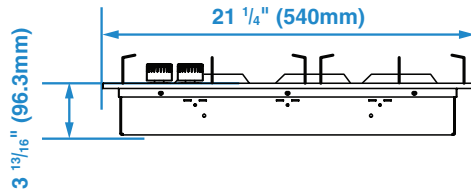


GENERAL	
Heating Technology	Gas
Color	Stainless Steel
Frame Type	Stainless Steel
Control type	Front Knob Control with Illumination
BURNER POWER LEVELS	
Burner Configuration	5 Gas Burners
Front Left	4,500 BTU
Front Right	9,000 BTU
Rear Left	9,000 BTU
Rear Right	4,500 BTU
Central	18,000 BTU / 2,000 BTU
Total Gas Power	13,000 W
SPECIAL FEATURES	
Automatic Re-Ignition	Yes
Cast Iron Pan Support	Yes
ACCESSORIES	
Griddle Pan	Optional
Wok Included	Yes
TECHNICAL INFORMATION	
KW/Amps Rating	120V, 60Hz
DIMENSIONS	
Required Cutout Dim (H x W x D)	28 ³ / ₈ " x 19 ¹⁵ / ₁₆ "
Product Dim (H x W x D)	3 ⁷ / ₈ " x 29 ¹⁵ / ₁₆ " x 21 ¹ / ₄ " (9.7 x 76 x 54 cm)
Product Weight	47.39 lbs. (21.5 kg)
Packed Dim HxWxD	9 ⁵ / ₈ " x 34 ¹ / ₄ " x 24 ³ / ₁₆ " (24.5 x 87 x 61.5 cm)
Packed Weight	49.82 lbs. (22.6 kg)

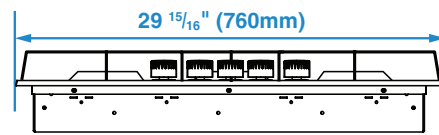
Top



Side – Side View

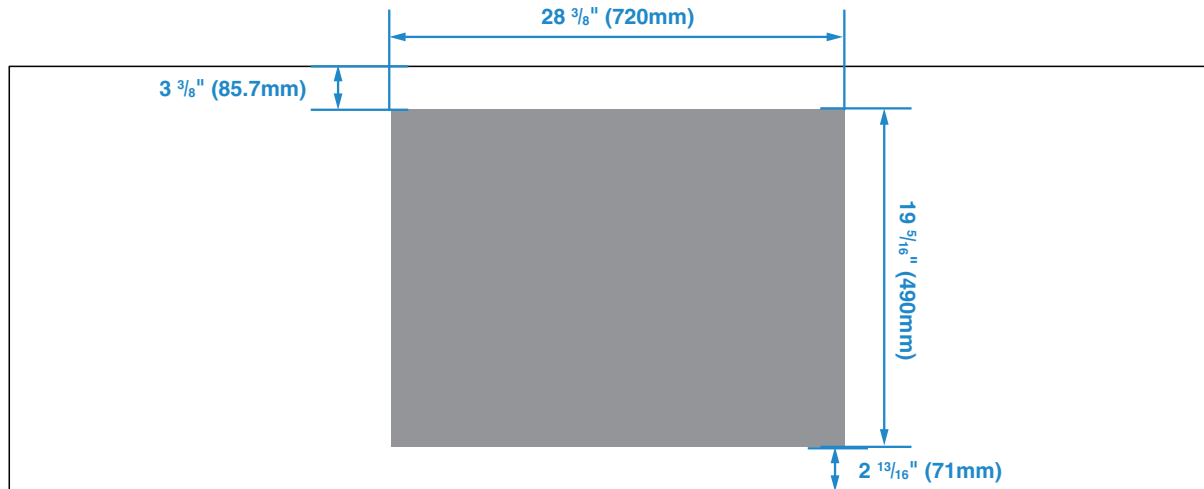


Front – Side View



Rear

Countertop Cutout



Front

NOTE TO THE INSTALLER: All height, width, and depth dimensions are shown in inches (as well as metric). Beko U.S., Inc. reserves the absolute and unrestricted right to change product materials and specifications, at any time, without notice. Please visit our website, www.BekoAppliances.com, or call 888.352.2356 to verify the latest specifications with final dimensional data and other details prior to installation and making a cutout. Applicable product limited warranty information may be found in accompanying product materials, or you may contact your account manager for further details. Proper installation is the responsibility of the installer. Product failure due to improper installation is not covered under the Limited Warranty.