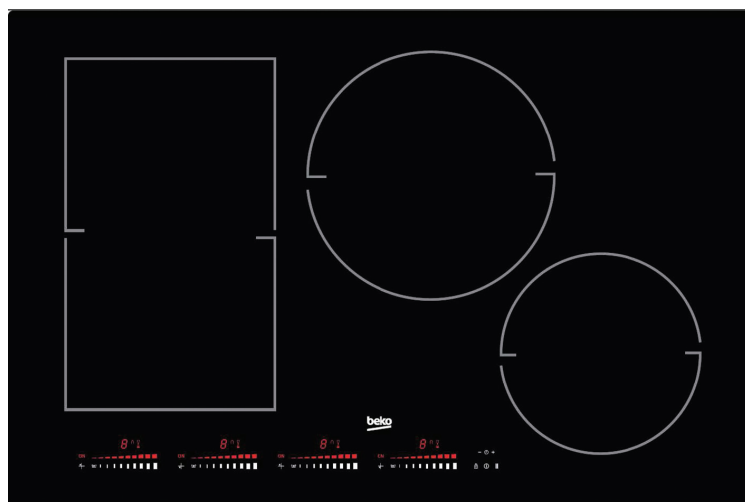


# 30" Induction Cooktop

**BCTI30410**



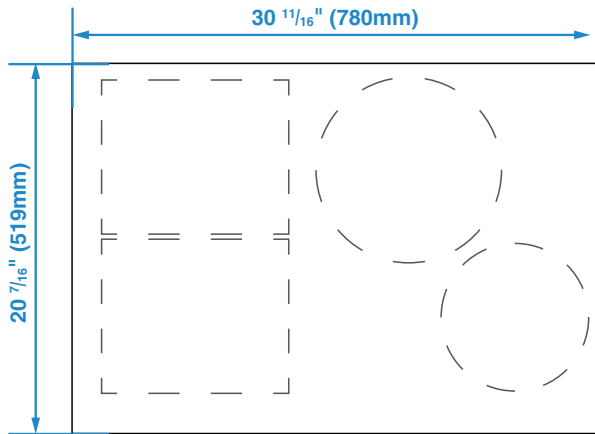
## KEY FEATURES

- Power Shared Electronic Slide Touch
- 4 Induction Zones
- Programmable Cooking Timer
- 40 A Rating
- Automatic Pan Recognition
- 9 Cooking Levels
- Residual Heat Indicators

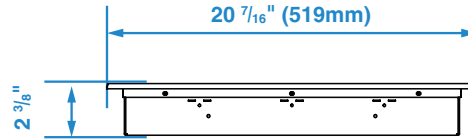


GENERAL	
Heating Technology	Electric (Induction)
Color	Tempered Black Glass
Frame Type	Frameless
Control Type	LED Display - Touch Slider
On/Off Light	Yes
BURNER POWER LEVELS	
Number of Zones	4 Induction Zones
Cooking Levels	9
Front Left	7" x 7 7/8" — 2,100 / 3,700 W Hi-Light
Front Right	11" — 2,600 / 3,700 W Hi-Light
Rear Left	7" x 7 7/8" — 2,100 / 3,700 W Hi-Light
Rear Right	9" — 2,600 / 3,700 W Hi-Light
Maximum Power	7400 W
FUNCTIONS	
Hot Surface Indication	Yes
Timer Display	Yes
Command Lock	Yes
Digital Display for Power Level Indication	Yes
Booster	Yes
FEATURES	
Integrated Ignition	Yes
Knob Control with Electronic Safety	Yes
Child Lock	Yes
Display Lock	Yes
Pan Detection	Yes
Residual Heat Indicator	Yes
TECHNICAL INFORMATION	
KW/Amps Rating	220 – 240V, 60 Hz, 40 Amps
DIMENSIONS	
Required Cutout Dim (W x D)	29 1/2" x 19 5/16"
Product dim (H x W x D)	2 3/8" x 30 11/16" x 20 7/16" (6.03 x 77.95 x 51.91 cm)
Product Weight	22.04 lbs. (10 kg)
Packed HxWxD	4 3/4" x 31 1/2" x 23 5/8" (12 x 80 x 60 cm)
Packed Weight	26.46 lbs. (12 kg)

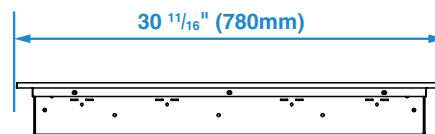
Top



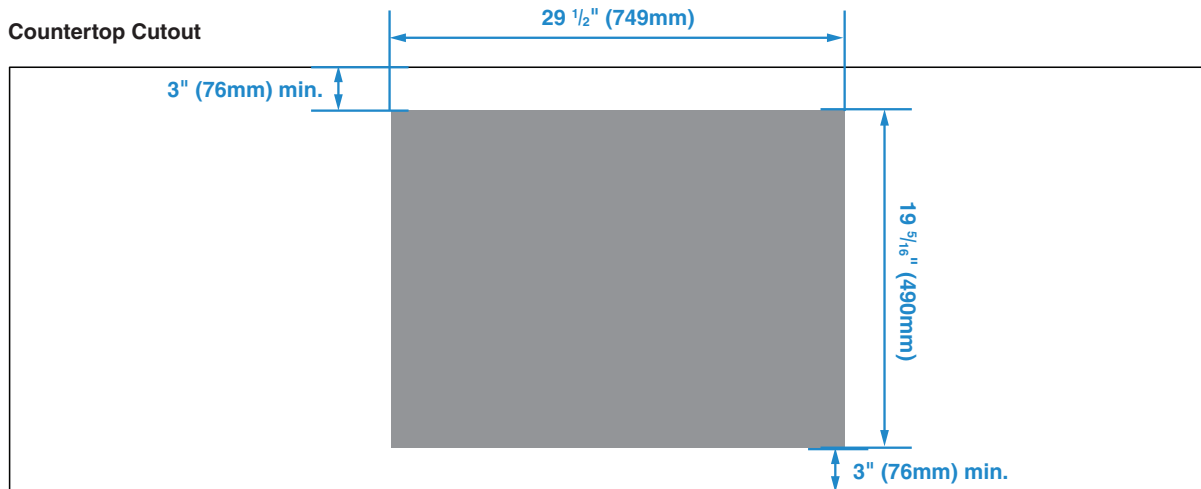
Side – Side View



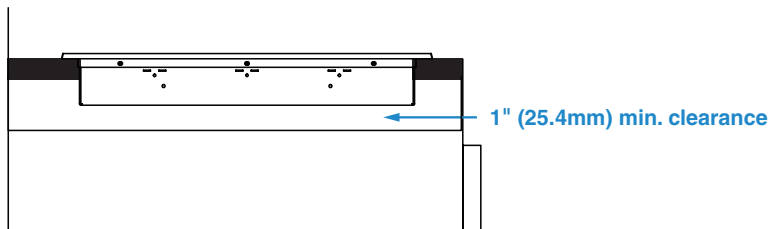
Front – Side View



Countertop Cutout



Under Counter - Side View



NOTE TO THE INSTALLER: All height, width, and depth dimensions are shown in inches (as well as metric). Beko U.S., Inc. reserves the absolute and unrestricted right to change product materials and specifications, at any time, without notice. Please visit our website, [www.BekoAppliances.com](http://www.BekoAppliances.com), or call 888.352.2356 to verify the latest specifications with final dimensional data and other details prior to installation and making a cutout. Applicable product limited warranty information may be found in accompanying product materials, or you may contact your account manager for further details. Proper installation is the responsibility of the installer. Product failure due to improper installation is not covered under the Limited Warranty.