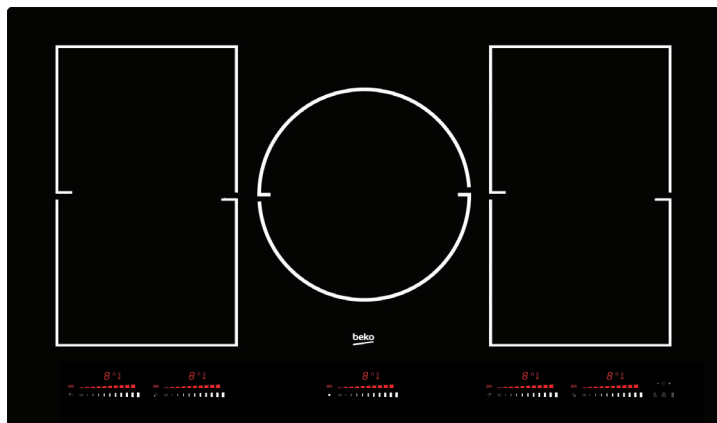


36" Induction Cooktop

BCTI36510



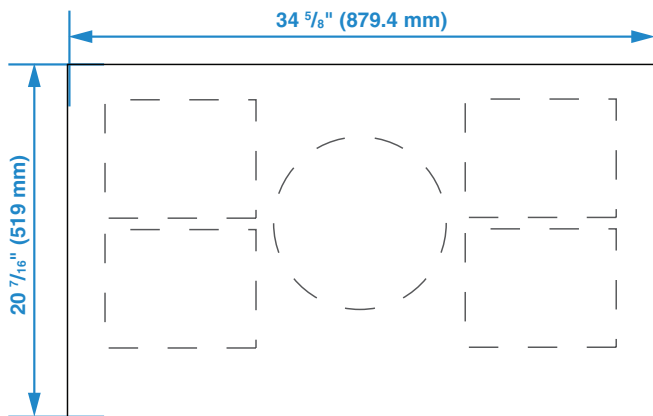
KEY FEATURES

- 5 Induction Zones
- 9 Cooking Levels
- Automatic Pan Recognition
- On/Off Light
- Fully Automatic Cooling System
- Warming Function

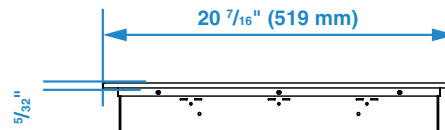


GENERAL	
Size	36"
Finish	Frameless Black Glass
Heating Technology	Induction
Control Type	LED Display - Touch Slider
On/Off Light	Yes
FEATURES	
Number of Zones	5 Induction Zones
Timer	Yes
Cooking Levels	9
Booster	Yes
Residual Heat Indicator	Yes
Display Lock	Yes
Child Lock	Yes
Pan Detection	Yes
BURNER POWER LEVELS	
Front Left	7" x 7 ⁷ / ₈ " - 2,100/3,700 W
Front Right	7" x 7 ⁷ / ₈ " - 2,100/3,700 W
Rear Left	7" x 7 ⁷ / ₈ " - 2,100/3,700 W
Rear Right	7" x 7 ⁷ / ₈ " - 2,100/3,700 W
Center	11" - 2,500/3,700 W (Max/Boost)
Total Power	11,100 W
TECHNICAL RATINGS	
Voltage / Frequency	220-240 V, 50-60 Hz
DIMENSIONS	
Required Cutout Dimension (H x W x D)	31 ⁷ / ₈ x 19 ⁵ / ₁₆ in.
Product Dim (H x W x D)	2 ³ / ₈ " x 34 ⁵ / ₈ " x 20 ⁷ / ₁₆ " (6.03 x 87.95 x 51.91 cm)
Product Weight	28.66 lbs. (13 kg)
Packed HxWxD	4 ³ / ₄ " x 37 ³ / ₈ " x 25 ⁵ / ₈ " (12 x 95 x 60 cm)
Packed Weight	33 lbs. (15 kg)

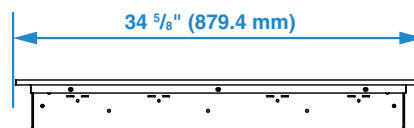
Top



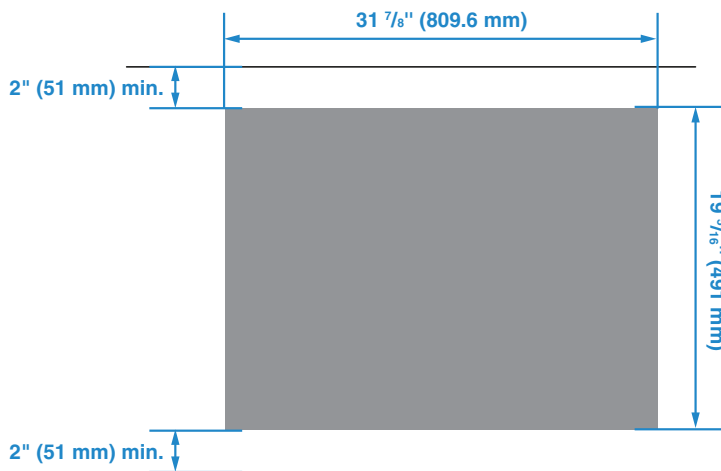
Side – Side View



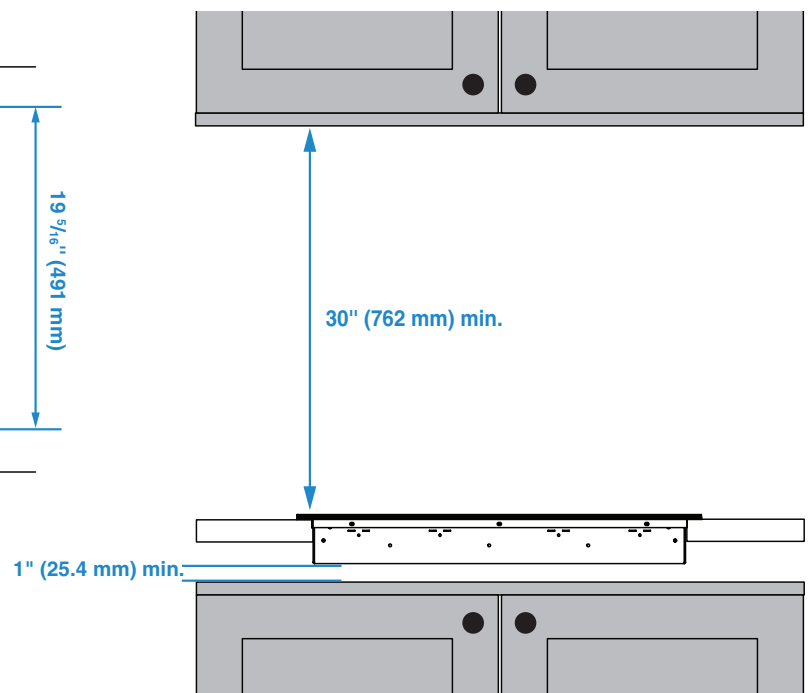
Front – Side View



Countertop Cutout



Cabinet Space



NOTE TO THE INSTALLER: All height, width, and depth dimensions are shown in inches (as well as metric). Beko U.S., Inc. reserves the absolute and unrestricted right to change product materials and specifications, at any time, without notice. Please visit our website, www.BekoAppliances.com, or call 888.352.2356 to verify the latest specifications with final dimensional data and other details prior to installation and making a cutout. Applicable product limited warranty information may be found in accompanying product materials, or you may contact your account manager for further details. Proper installation is the responsibility of the installer. Product failure due to improper installation is not covered under the Limited Warranty.