

BFBD30216SS



30" Bottom-Freezer Refrigerator



CEE Tier 1

GENERAL PROPERTIES

Cooling System	Aeroflow
Control System	Electronic Controls
Finish	Fingerprint-free Stainless Steel
Type	Freestanding
Field Reversible Door	No
Connectivity	HomeWhiz + Bluetooth

CAPACITY

Total Net Volume	16.1 cu. ft.
Fresh Food Net Volume	10.89 cu. ft.
Freezer Net Volume	5.22 cu. ft.

PERFORMANCE

Fresh Food Temperature Range*	33° F to 46° F
Freezer Temperature Range*	-11° F to 0° F
Freeze Guard	Works in Temperatures between 32° F and 110° F
Modes	On/Off Power, Temperature Control, Quick Freeze, Vacation, Sabbath
ENERGY STAR® Certified	Yes
Annual Energy Consumption	347 kWh/year

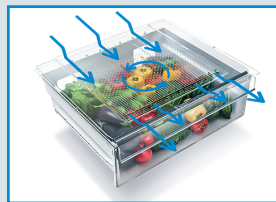
*Actual temperatures may vary upon different options.

PREMIUM TECHNOLOGY



HARVESTFRESH™

Proprietary 3-color light technology simulates the 24-hour cycle of the sun. By mimicking a full day of sunshine, produce has been proven to retain its vitamins and minerals for up to five days longer than ordinary refrigerators.



EVERFRESH+™

EverFresh+ technology keeps fresh food fresher up to three times longer than the average refrigerator—for up to 30 days! Meticulous temperature management and precise humidity control mean every stalk, head, or bunch you bought as a healthy option or key ingredient stays fresher longer.



AEROFLOW

Aeroflow is the new generation No-Frost Technology which provides even temperature distribution at all levels and minimum temperature fluctuations with a new seamless design.

BFBD30216SS



30" Bottom-Freezer Refrigerator

FRESH FOOD	
EverFresh+	Yes
HARVESTfresh™	Yes
Electronic Control Display Type	Digital Inner Display
Auto Defrost	Yes
Interior Illumination	LED- On Ceiling
Inner Back Wall Material	Stainless Steel
Dairy Compartment	1
Shelves	2 - Full-depth Glass Shelves
Crisper	2 - Humidity Controlled
Door racks	5 (4 half-width, 1 full)
Gallon Bin	1
Compressor	Variable Speed VCC
Door Open Alarm	Yes

FREEZER	
Interior Illumination	Yes
Number of Freezer Drawers	1
Auto Defrost	Yes
Ice Maker Ready	No

TECHNICAL INFORMATION	
Required Power Supply	120 V / 60 Hz
Rated Current	2 A
Noise Level	43 dBA
Refrigerant	R600a
Plug Type	NEMA 3-Prong
Power Cord Length	6 ft.

DIMENSIONS	
H x W x D (in)	69 ^{11/16} x 29 ^{3/4} x 27 ^{9/16}
H x W x D (mm)	1740 x 756 x 620
Height with Hinge Cap (in)	69 ^{11/16}
Width (in)	29 ^{3/4}
Depth with Handles (in)	29 ^{13/16}
Depth without Handles (in)	27 ^{9/16}
Depth without Door (in)	24 ^{7/16}
Product Weight (lbs)	208
Product Weight (kg)	94.6
Packed Weight (lbs)	223
Packed Weight (kg)	101.5

* Depth is with door/without handles

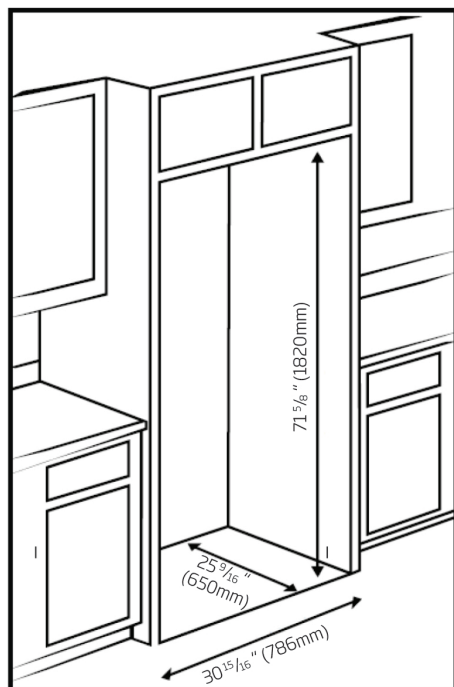
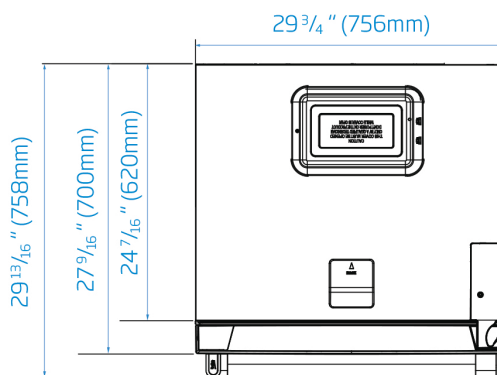
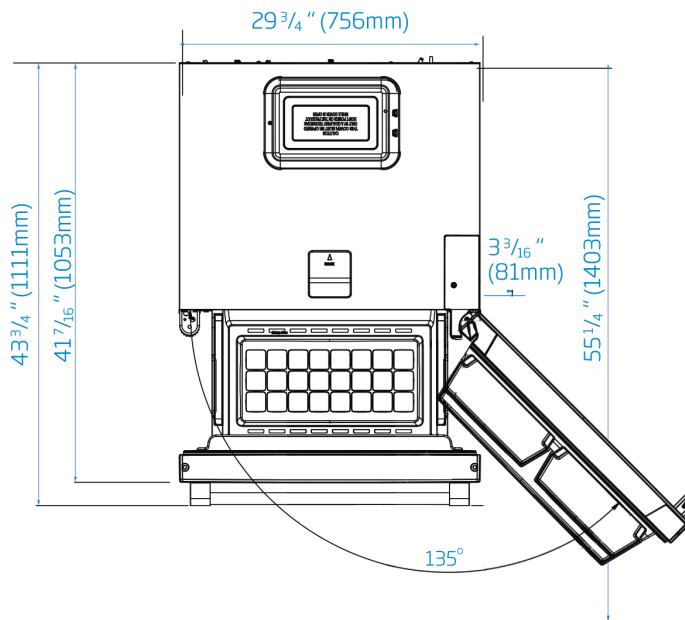
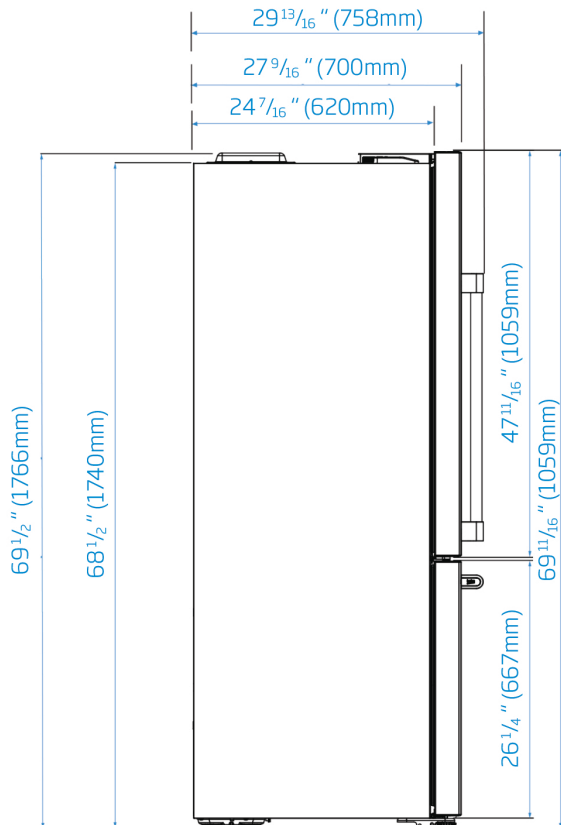
ACCESSORIES	
Water Filter	No

WARRANTY	
All Products	2 -year Full Warranty
Sealed System Parts Only	5-year Warranty
ProSmart Inverter Motor	12-year Warranty – parts only

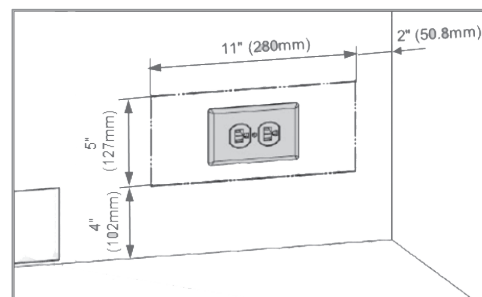
BFBD30216SS



30" Bottom-Freezer Refrigerator



Electrical



Required Minimum Clearances:

- Top: 2"
- Sides: ⁹/₁₆" on each side
- Back: 1 ³/₈"

NOTE TO THE INSTALLER: All height, width, and depth dimensions are shown in inches (as well as metric). Beko U.S., Inc. reserves the absolute and unrestricted right to change product materials and specifications, at any time, without notice. Please visit our website, www.BekoAppliances.com, or call 888.352.2356 to verify the latest specifications with final dimensional data and other details prior to installation and making a cutout. Applicable product limited warranty information may be found in accompanying product materials, or you may contact your account manager for further details. Proper installation is the responsibility of the installer. Product failure due to improper installation is not covered under the Limited Warranty.