

24" Counter-depth Bottom Freezer Refrigerator

BFBF2414SS



GENERAL	
Color	Fingerprint-free Stainless Steel
Cooling system	NeoFrost Dual Cooling Technology
Control system	Electronic Control
Field Reversible Door	Yes
CAPACITY	
Total Net Volume	11.43 cu.ft.
Fresh food Net Volume	8.08 cu.ft.
Freezer Net Volume	3.35 cu.ft.
REFRIGERATOR FEATURES	
Active Fresh Blue Light	Yes
Electronic control display type	Digital inner display
Auto defrost	Yes
Auto defrost freezer	Yes
Inner illumination	LED-Side walls
Shelves	3
Crispers	1
Door racks	3
Compressor	Variable Speed VCC
Fan Ventilation	Yes
Door Open Alarm	Yes
FREEZER FEATURES	
Number of freezer drawers	3
Ice cube tray	Yes
PERFORMANCE	
Energy Star qualified	Yes
2020 ENERGY STAR Emerging Technology Award	For the Advance Adaptive Compressors which help protect the environment while offering the consumer new ways to save energy while using low GWP refrigerant and foam
Annual energy consumption	286 Kwh/year
Cooling gas	R600a
TECHNICAL INFORMATION	
Supply voltage, V/Hz	120 V / 60 Hz
Rated Current, A	1A
Noise level, dBA	39 dBA
DIMENSIONS	
H x W x D, in	67 7/8" x 23 2/3" x 26 4/8"
Product weight, lbs.	145.5 lbs. (66kg)
H x W x D, cm	172 x 60 x 67
Packed H x W x D, in	71 4/8" x 25 8/8" x 28 7/8"
Packed weight, lbs	154.3 lbs. (70kg)
Packed H x W x D, cm	181.3 x 65.5 x 72.8

KEY FEATURES

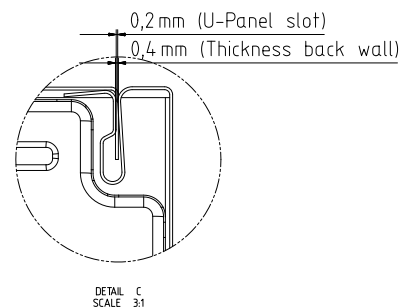
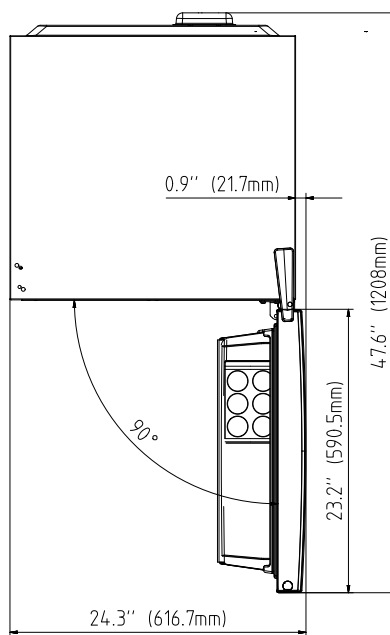
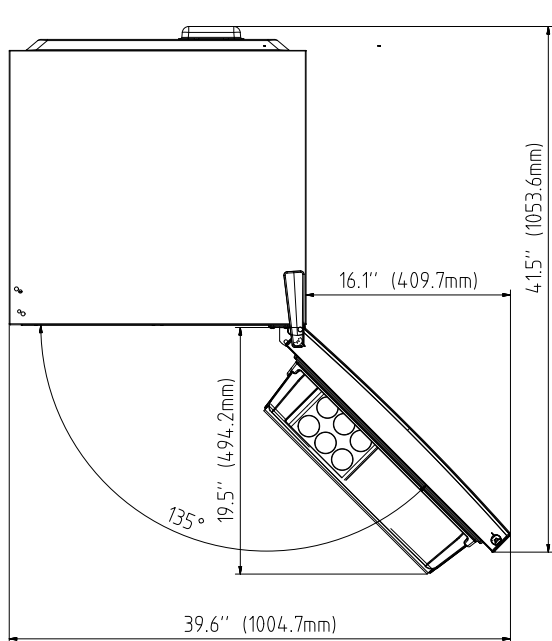
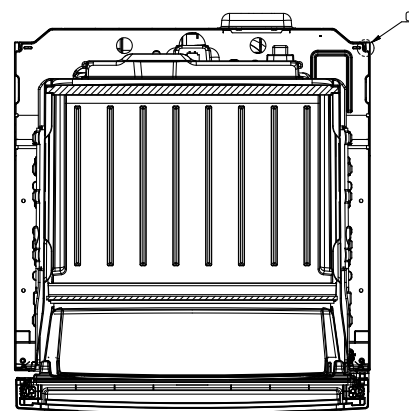
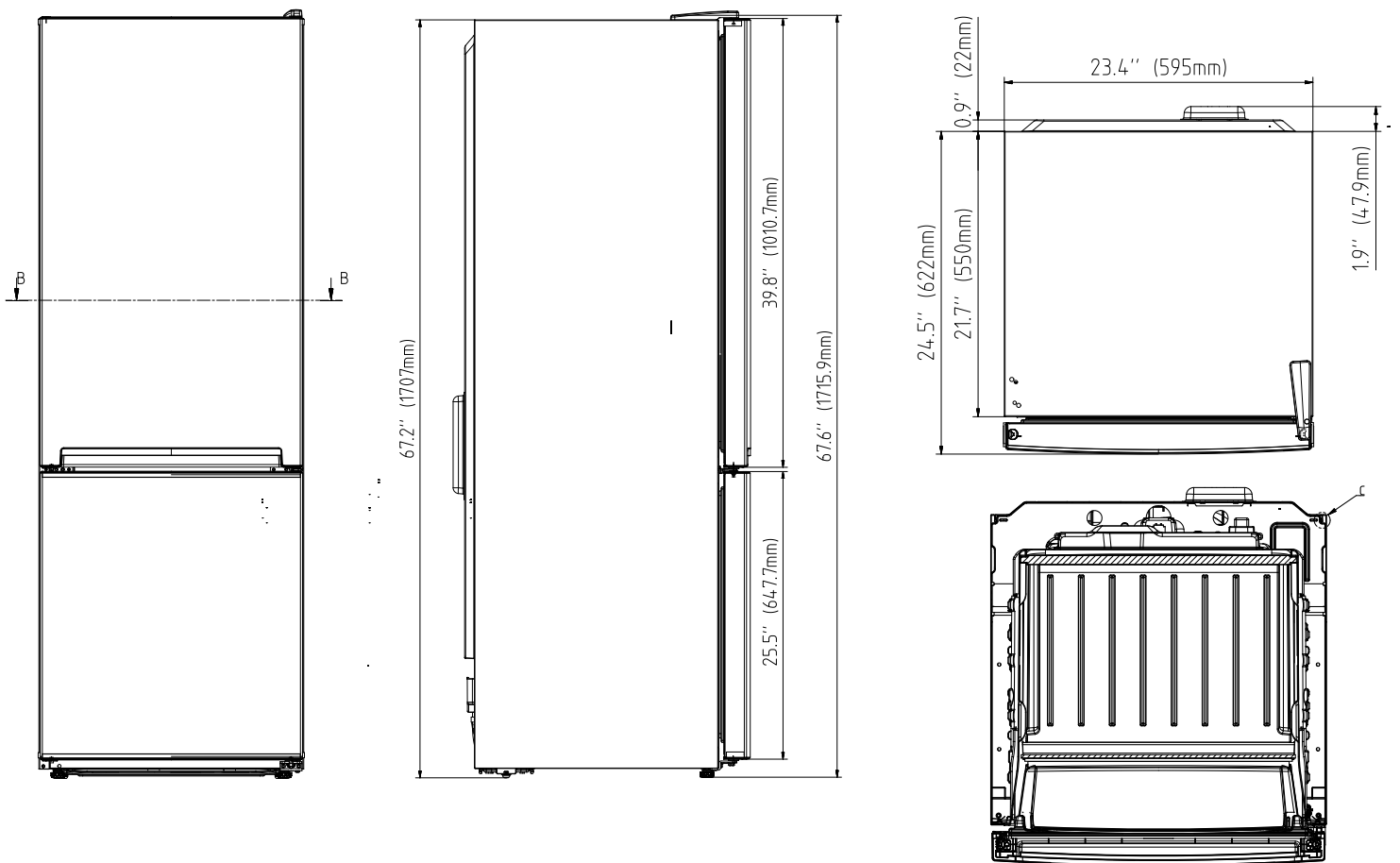
- Active Fresh Blue Light
- NeoFrost Dual Cooling Technology
- Field Reversibility of Doors
- Interior LED Lighting
- Inner Digital Display

ENERGY STAR 2020
Emerging Technology Award



24" Counter-depth Bottom Freezer Refrigerator

BFBF2414SS



NOTE TO THE INSTALLER: All height, width, and depth dimensions are shown in inches (as well as metric). Beko U.S., Inc. reserves the absolute and unrestricted right to change product materials and specifications, at any time, without notice. Please visit our website, www.BekoAppliances.com, or call 888.352.2356 to verify the latest specifications with final dimensional data and other details prior to installation and making a cutout. Applicable product limited warranty information may be found in accompanying product materials, or you may contact your account manager for further details. Proper installation is the responsibility of the installer. Product failure due to improper installation is not covered under the Limited Warranty.

888.352.BEKO(2356) | BekoAppliances.com

